



US00D418390S

# United States Patent [19] Marquis

[11] **Patent Number: Des. 418,390**  
[45] **Date of Patent: \*\* Jan. 4, 2000**

[54] **KNOB COVER**

**DESCRIPTION**

[76] Inventor: **Kenneth Marquis**, 139 Henry St.,  
Shavertown, Pa. 18708

[\*\*] Term: **14 Years**

[21] Appl. No.: **29/081,722**

[22] Filed: **Jan. 8, 1998**

**Related U.S. Application Data**

[62] Division of application No. 08/743,004, Nov. 17, 1996, Pat.  
No. 5,836,214.

[51] **LOC (7) Cl.** ..... **08-06**

[52] **U.S. Cl.** ..... **D8/322; D8/312**

[58] **Field of Search** ..... D8/300, 310-312,  
D8/322; D23/250, 254; 16/110 R, 114 R,  
121; 292/347, DIG. 2; 74/553, 558.5; D12/400,  
174

[56] **References Cited**

**U.S. PATENT DOCUMENTS**

- D. 131,092 1/1942 Tornoe .
- D. 147,560 9/1947 King .
- D. 192,150 1/1962 Amdur et al. .
- D. 211,398 6/1968 Hall .
- D. 304,071 10/1989 Haug et al. .... D23/250
- D. 328,559 8/1992 Wilson ..... D8/312
- D. 329,911 9/1992 Yost ..... D8/310
- 1,278,552 9/1918 Allmand ..... 292/347 X
- 1,848,892 3/1932 Kollmar ..... 292/347 X
- 2,107,204 2/1938 Macksey ..... 16/121
- 2,134,770 11/1938 Weber .
- 2,191,304 2/1940 Ashendorf ..... 74/553 X

(List continued on next page.)

*Primary Examiner*—B. J. Bullock  
*Attorney, Agent, or Firm*—Oblon, Spivak, McClelland,  
Maier & Neustadt, P.C.

[57] **CLAIM**

The ornamental design for a knob cover, as shown and described.

FIG. 1 is a top, rear and left side perspective view of the knob cover embodying the new design, the broken lines being for illustrative purposes only and forming no part of the claimed design;

FIG. 2 is a front elevational view thereof;

FIG. 3 is a left side view thereof;

FIG. 4 is a top plan view thereof;

FIG. 5 is a bottom view thereof;

FIG. 6 is a bottom, rear and left side perspective view thereof, the broken lines being for illustrative purposes only and forming no part of the claimed design;

FIG. 7 is a top, rear and left side perspective view of the knob cover showing a second embodiment of my new design, the broken lines below the knob cover being for illustrative purposes only and forming no part of the embodiment and the broken lines above and below the recessed grooves representing the bounds of the embodiment and forming no part thereof;

FIG. 8 is a front elevational view thereof, the broken lines below the knob cover being for illustrative purposes only and forming no part of the embodiment and the broken lines above and below the recessed grooves representing the bounds of the embodiment and forming no part thereof;

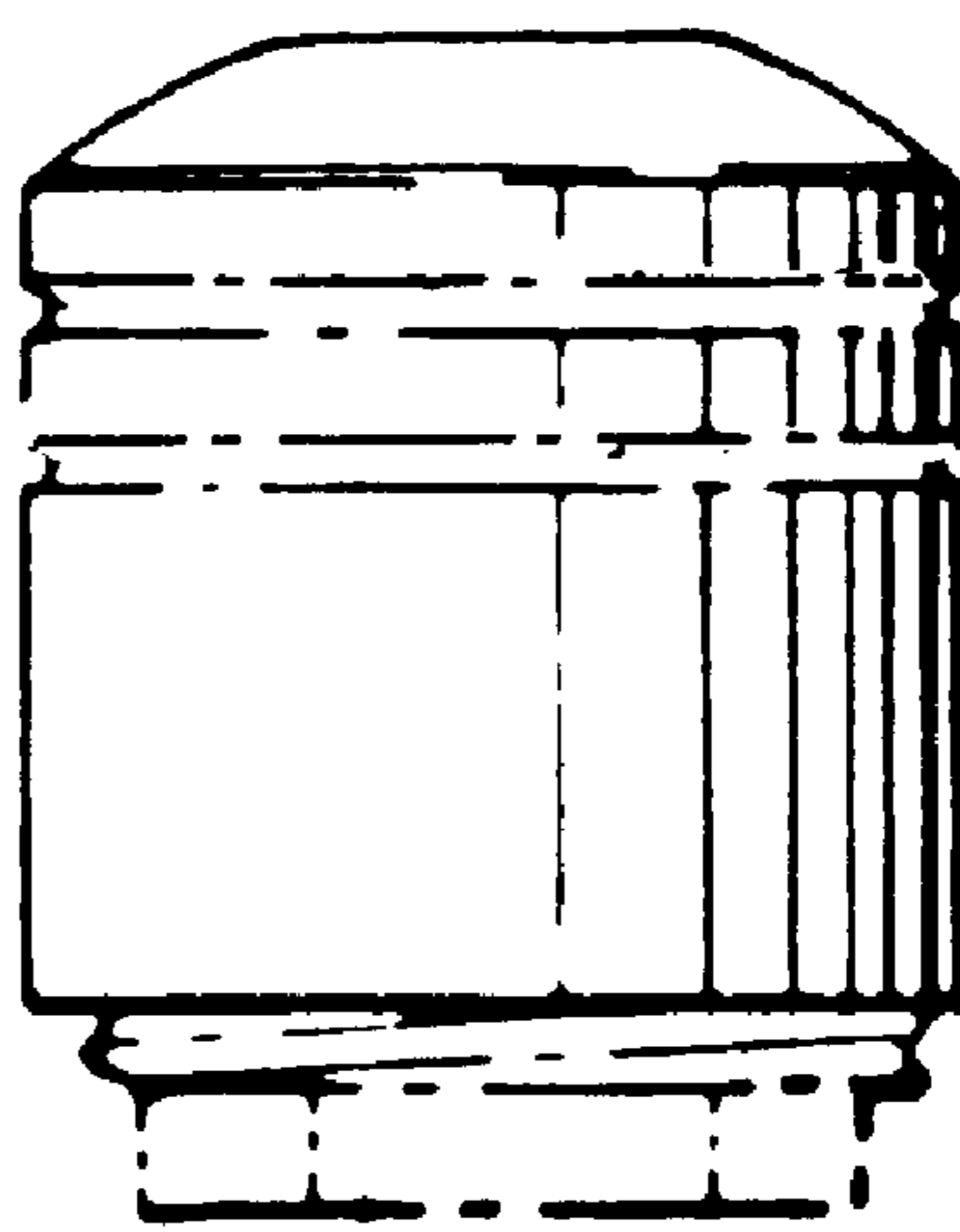
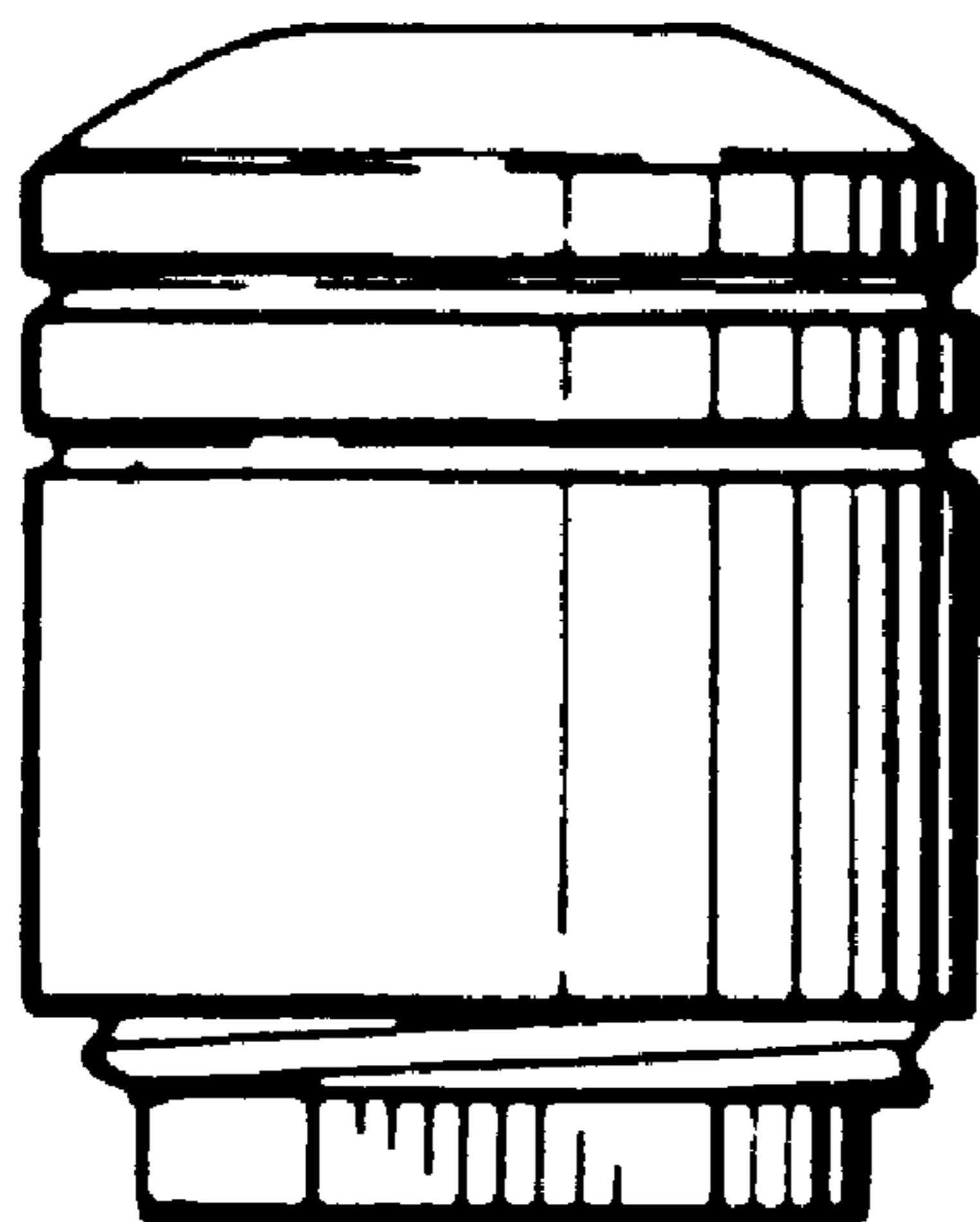
FIG. 9 is a left side view thereof, the broken lines below the knob cover being for illustrative purposes only and forming no part of the embodiment and the broken lines above and below the recessed grooves representing the bounds of the embodiment and forming no part thereof;

FIG. 10 is a top plan view thereof;

FIG. 11 is a bottom view thereof, the broken lines in the center of the knob cover being for illustrative purposes only and forming no part of the embodiment and the broken lines immediately within the outer perimeter representing the bounds of the embodiment and forming no part thereof; and,

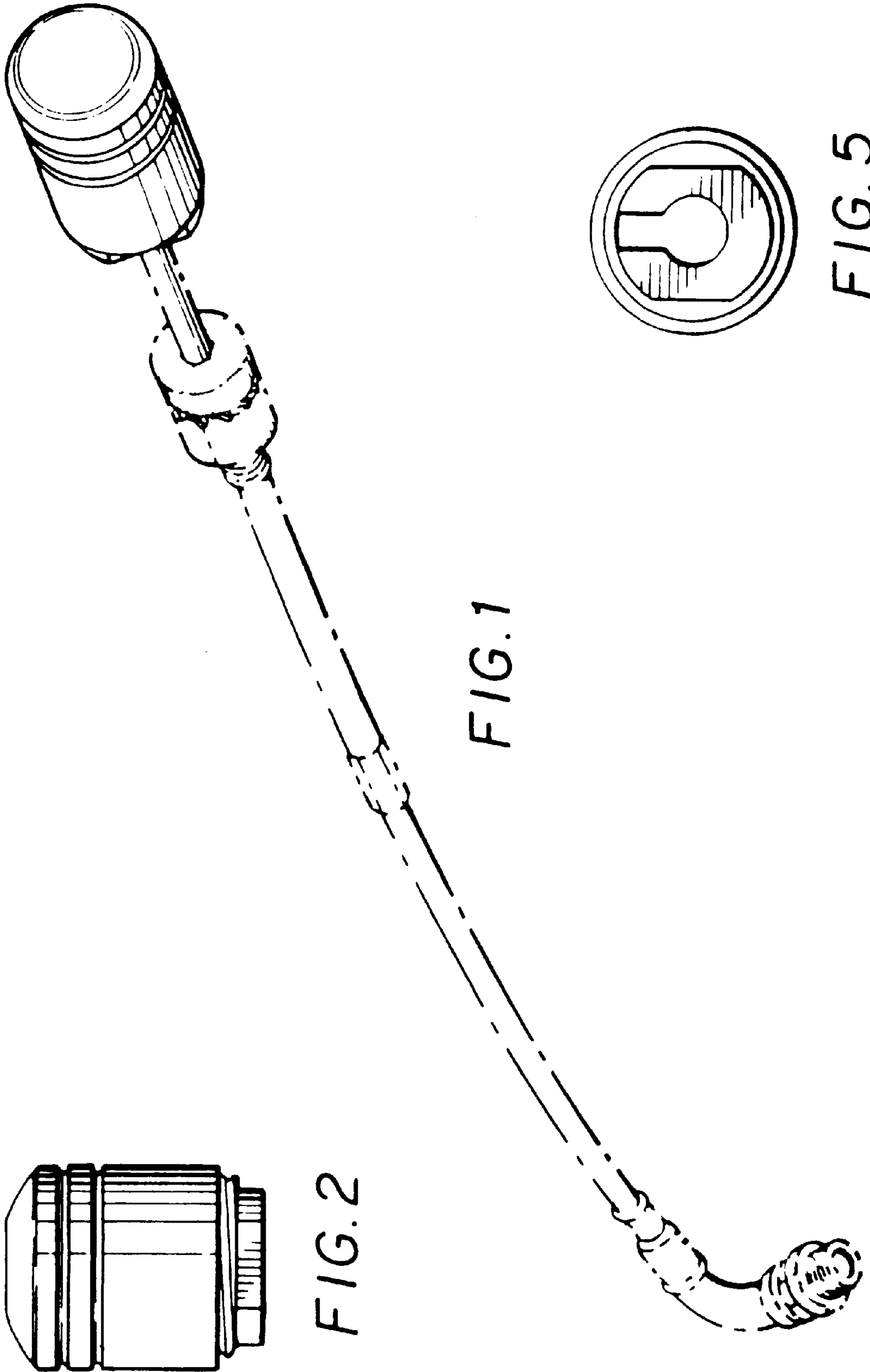
FIG. 12 is a bottom, front and left side perspective view thereof, the broken lines below the knob cover being for illustrative purposes only and forming no part of the embodiment and the broken lines above and below the recessed grooves representing the bounds of the embodiment and forming no part thereof.

**1 Claim, 4 Drawing Sheets**



U.S. PATENT DOCUMENTS

2,449,575	9/1948	Wilhelm .	4,082,351	4/1978	Chrones .
2,951,358	9/1960	Miller ..... 74/553 X	4,347,758	9/1982	Geil et al. .
2,997,089	8/1961	Amdur et al. .... 292/DIG. 2 X	4,373,405	2/1983	Geil .
3,306,643	2/1967	Reed .	4,397,489	8/1983	Lind ..... 292/DIG. 2 X
3,487,496	1/1970	Guyton et al. .... 16/121	4,608,882	9/1986	Howie, Jr. .
3,742,204	6/1973	Price ..... 16/DIG. 30 X	4,991,461	2/1991	Sennett et al. .
4,000,539	1/1977	Neyer .	5,303,612	4/1994	Odom et al. .... 74/553
			5,363,720	11/1994	Sanchez ..... 74/558.5 X



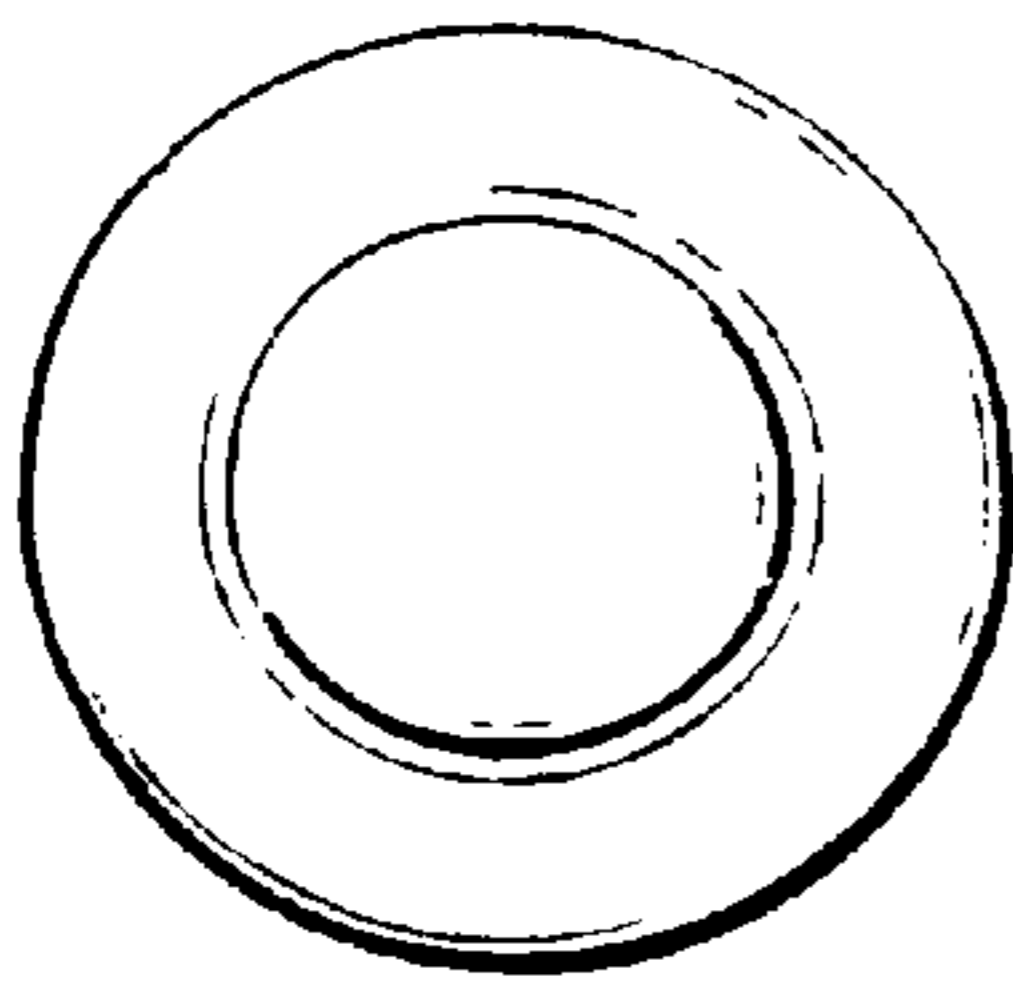


FIG. 4

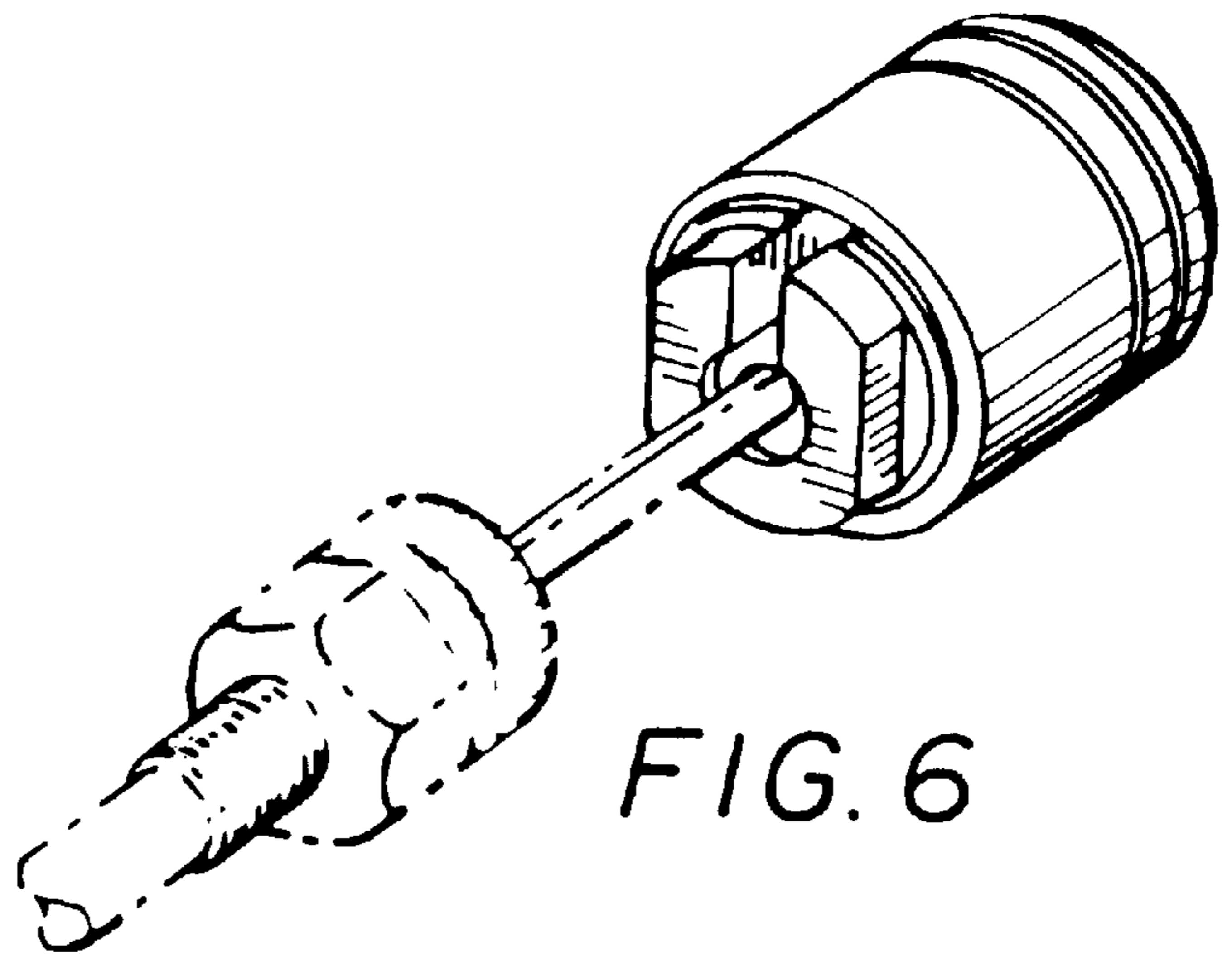


FIG. 6

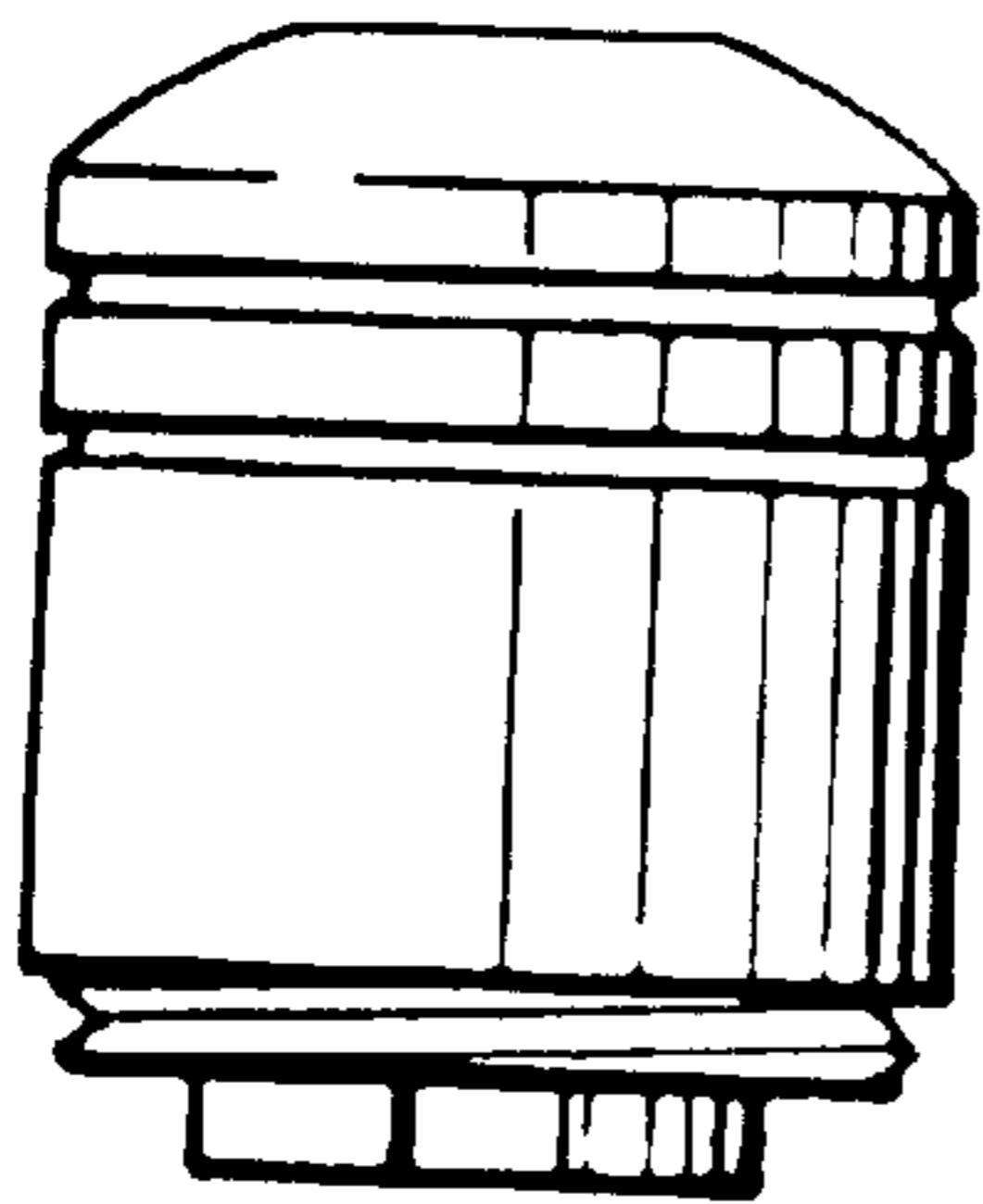
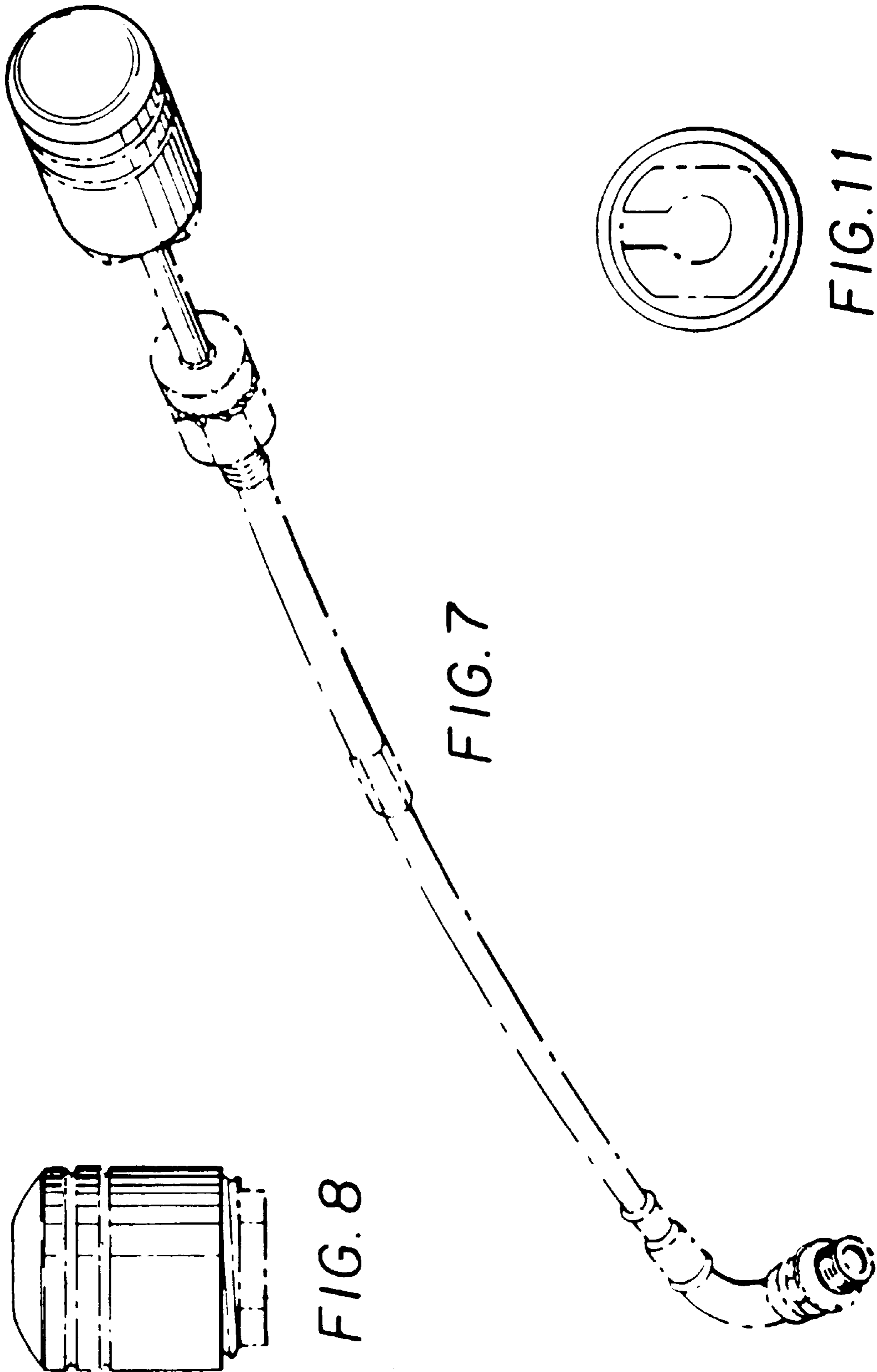


FIG. 3



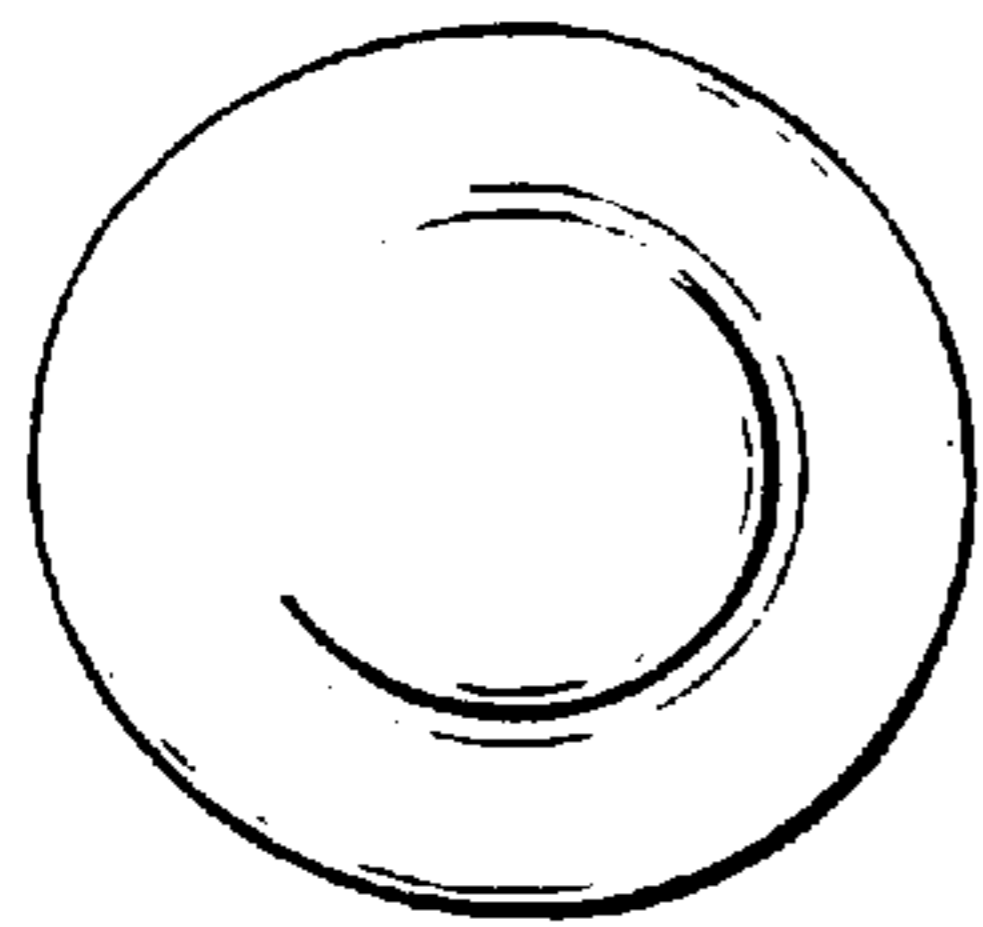


FIG. 10

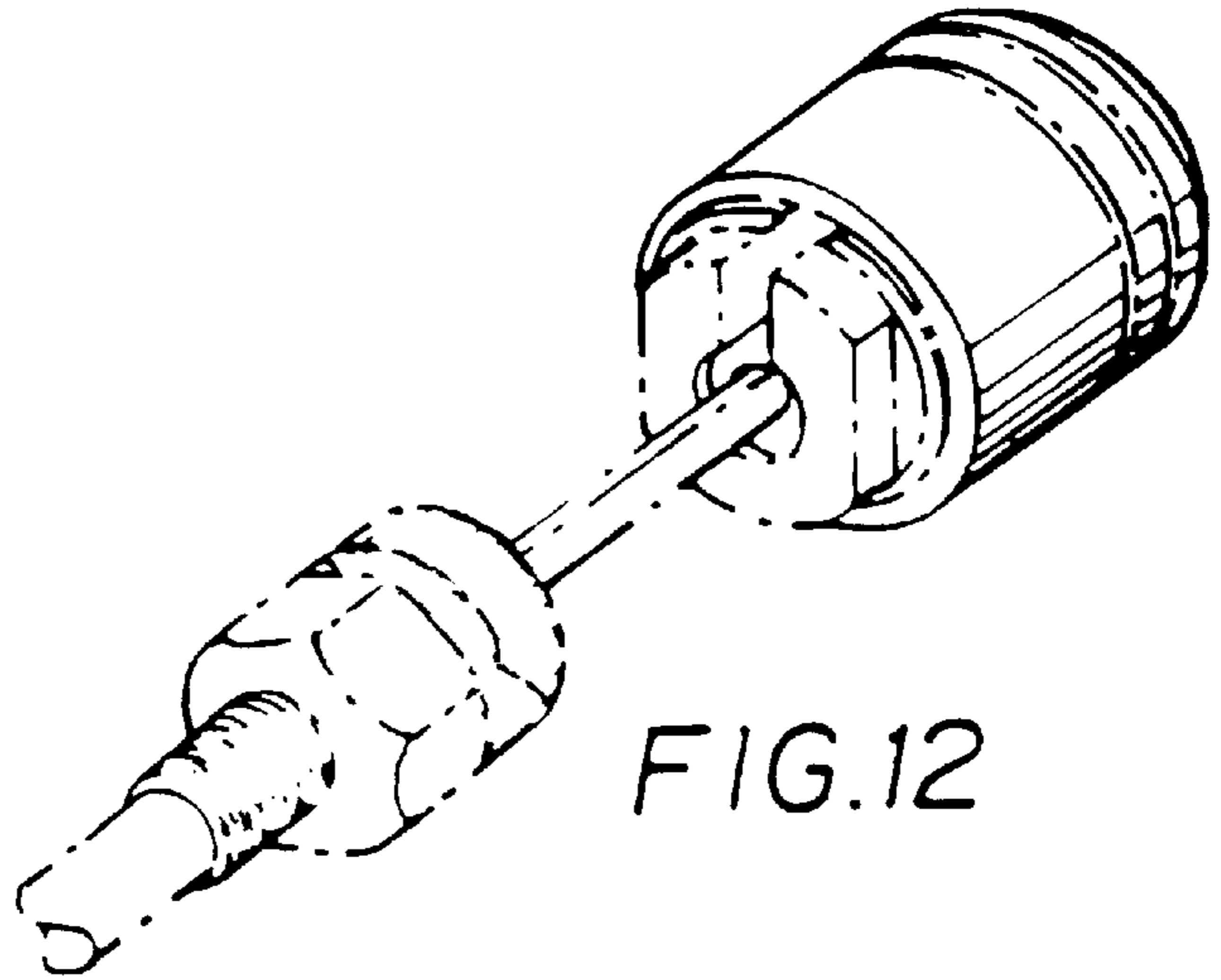


FIG. 12

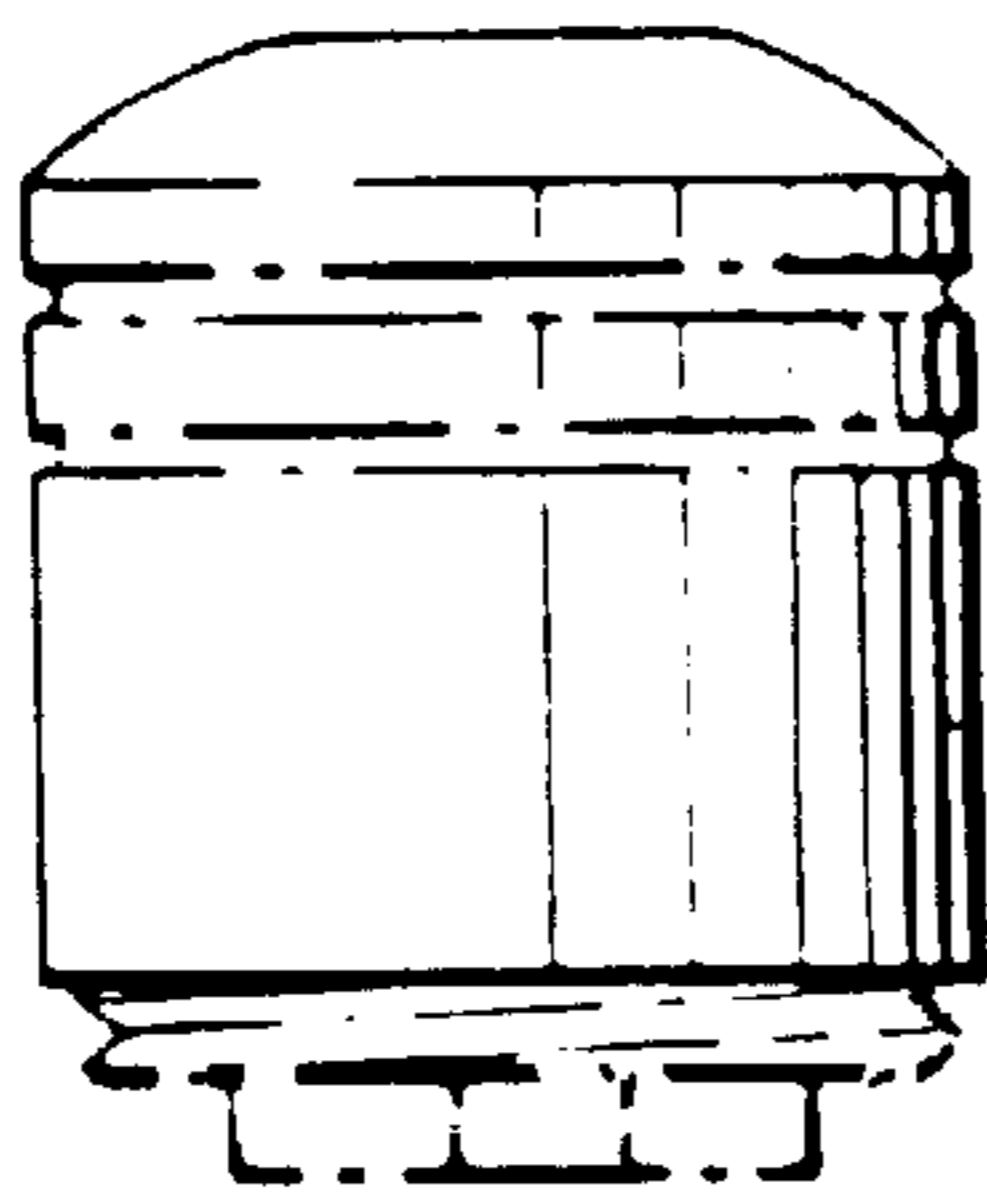


FIG. 9



UNITED STATES PATENT AND TRADEMARK OFFICE  
**CERTIFICATE OF CORRECTION**

PATENT NO. : Des.418,390  
DATED : Jan. 4, 2000  
INVENTOR(S) : Kenneth Marquis

It is certified that error appears in the above-identified patent and that said Letters Patent is hereby corrected as shown below:

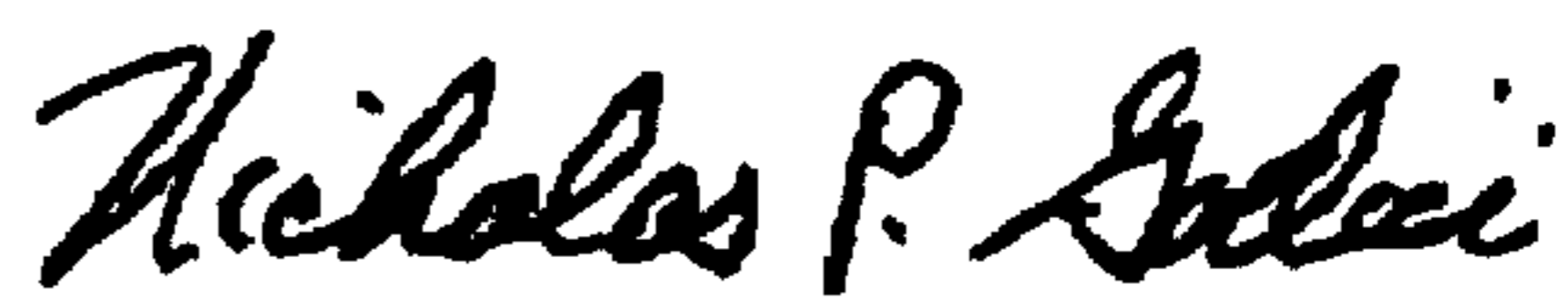
On the title page, item [62], the Related U.S. Application Data is incorrectly listed. It should be:

--Related U.S. Application Data

[62] Division of application No. 08/743,004, Nov. 1, 1996, Pat.  
No. 5,836,214--

Signed and Sealed this  
Twenty-fourth Day of April, 2001

*Attest:*



NICHOLAS P. GODICI

*Attesting Officer*

*Acting Director of the United States Patent and Trademark Office*