



US00D418388S

United States Patent [19] O'Neil

[11] **Patent Number: Des. 418,388**
[45] **Date of Patent: ** Jan. 4, 2000**

[54] **KNOB**

[75] Inventor: **Robert A. O'Neil**, Glen Ellyn, Ill.

[73] Assignee: **Newell Operating Company**, Illinois

[**] Term: **14 Years**

[21] Appl. No.: **29/089,611**

[22] Filed: **Jun. 18, 1998**

[51] **LOC (7) Cl.** **08-06**

[52] **U.S. Cl.** **D8/312; D8/310**

[58] **Field of Search** D8/300, 301, 302,
D8/307, 310, 312, 378, 379; 16/110 R,
121; D26/154; D7/393, 395; D23/250, 251,
254

[56] **References Cited**

U.S. PATENT DOCUMENTS

- D. 206,521 12/1966 Bottom .
- D. 319,771 9/1991 Reid et al. D8/312
- D. 384,572 10/1997 Ongaro D8/312
- 2,295,468 9/1942 Haley .

OTHER PUBLICATIONS

Allison Cabinet Hardware; p. 5; Knob 94/CH, ©1991.
Jaybee Solid Brass Collection; pp. 3 +4; Knob B855-03-01,
Rec'd Aug. 11, 1997.

Primary Examiner—B. J. Bullock
Attorney, Agent, or Firm—Foley & Lardner

[57] **CLAIM**

The ornamental design for a knob, as shown and described.

DESCRIPTION

FIG. 1 is a top perspective view of a knob showing the new design.

FIG. 2 is a front elevation view of the design.

FIG. 3 is a right side elevation view of the design.

FIG. 4 is a rear elevation view of the design.

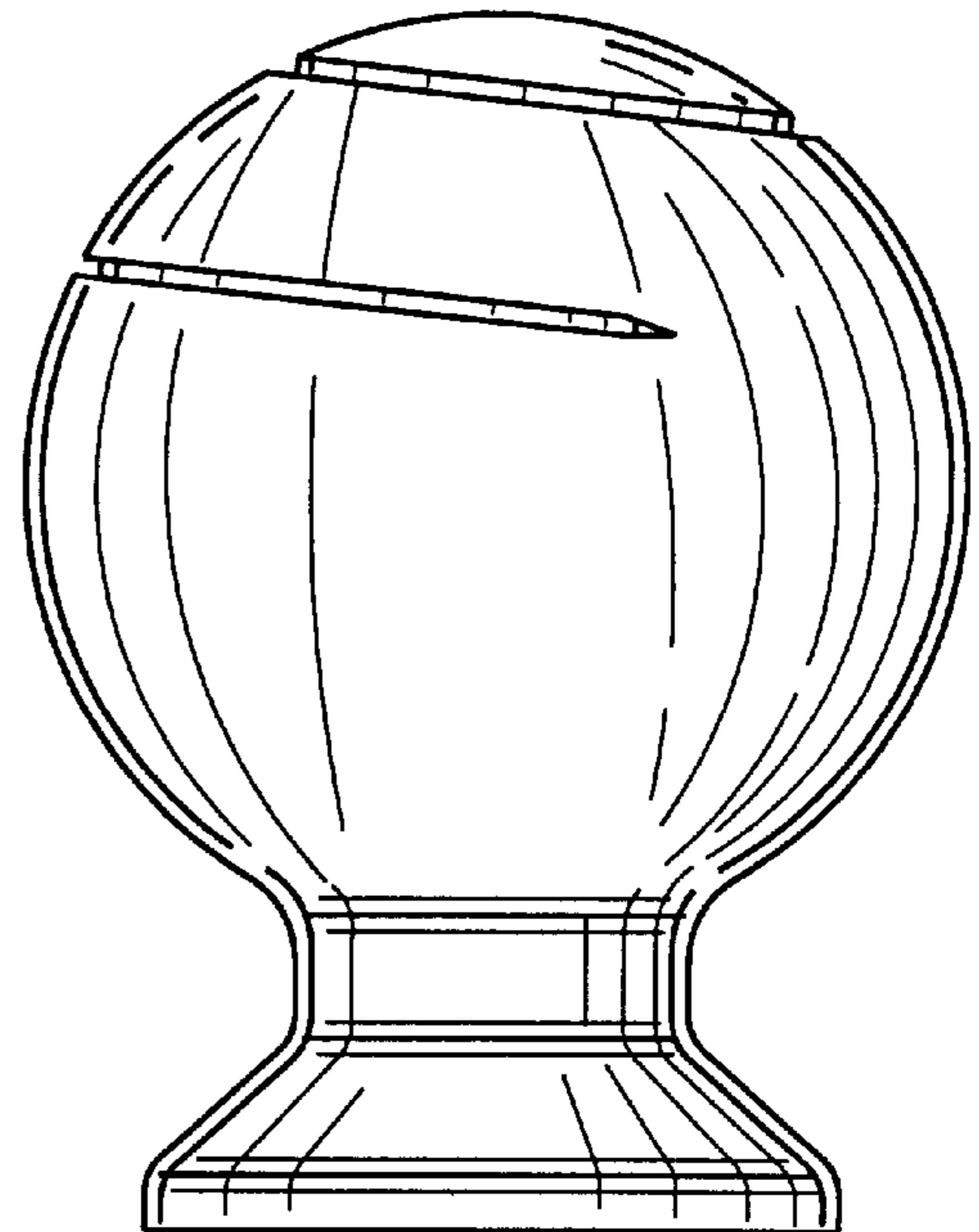
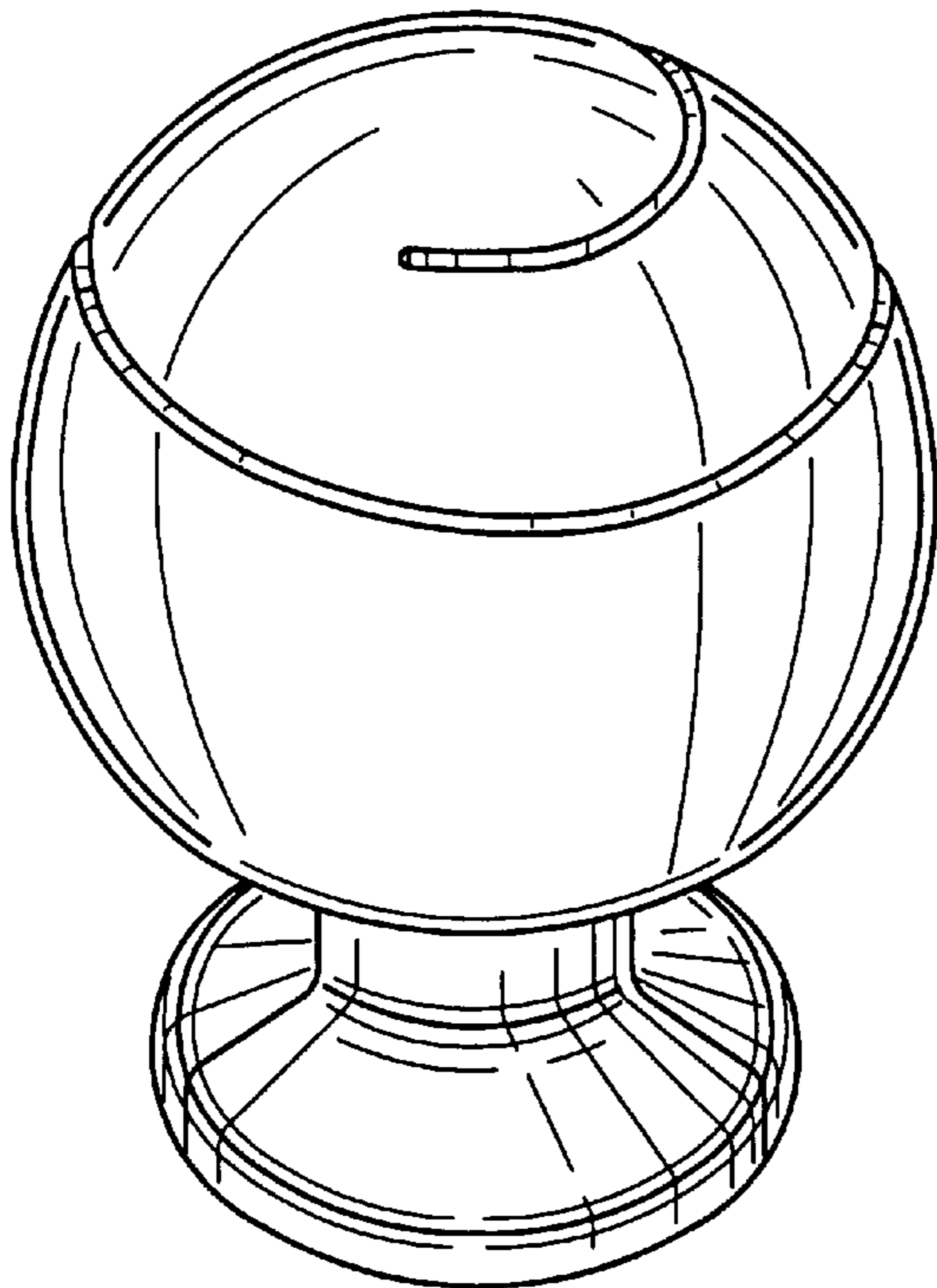
FIG. 5 is a top plan view of the design.

FIG. 6 is a left side elevation view of the design; and,

FIG. 7 is a bottom plan view of the design.

The broken line disclosure in the figures is for illustrative purposes only and forms no part of the claimed design.

1 Claim, 2 Drawing Sheets



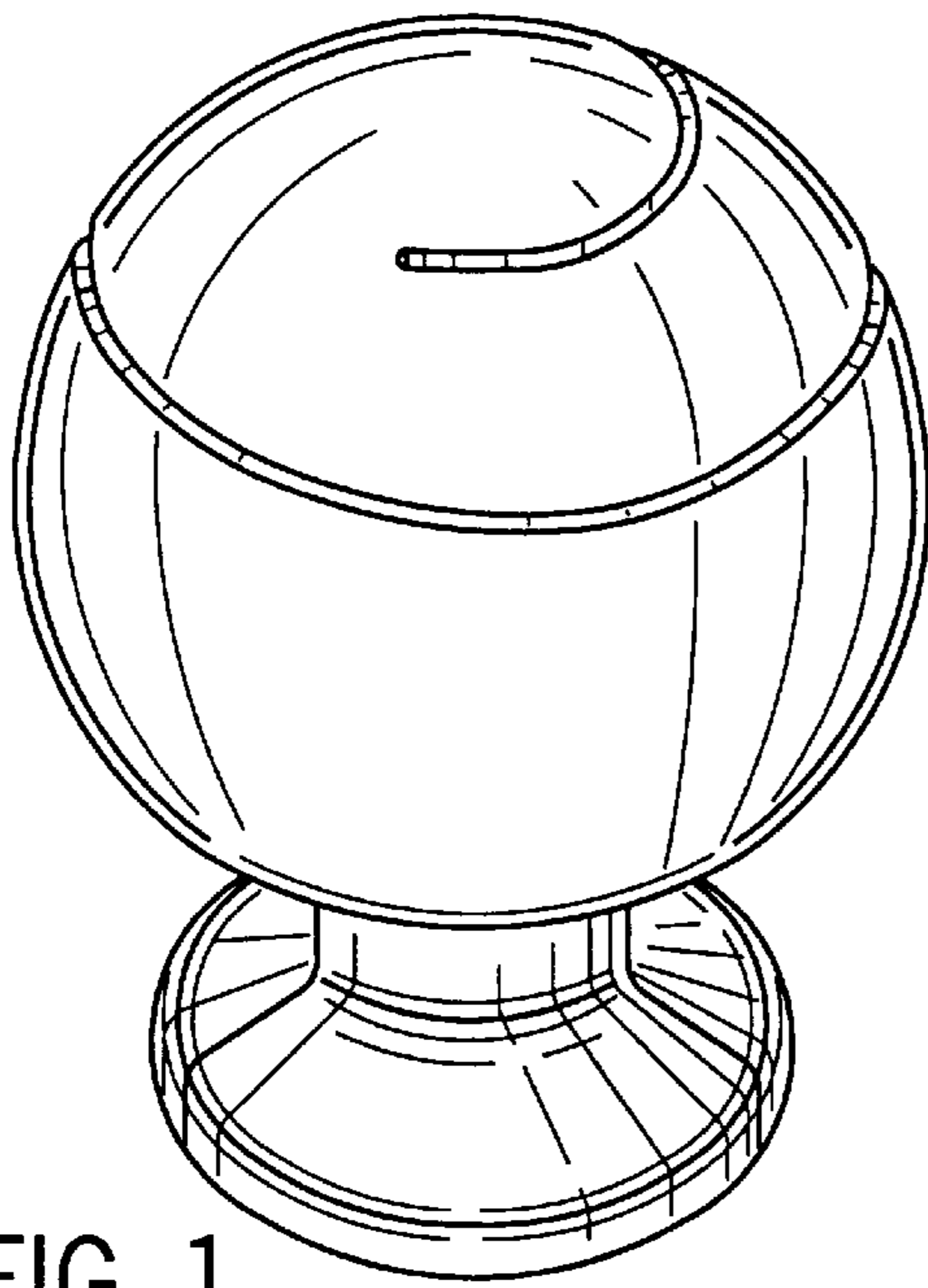


FIG. 1

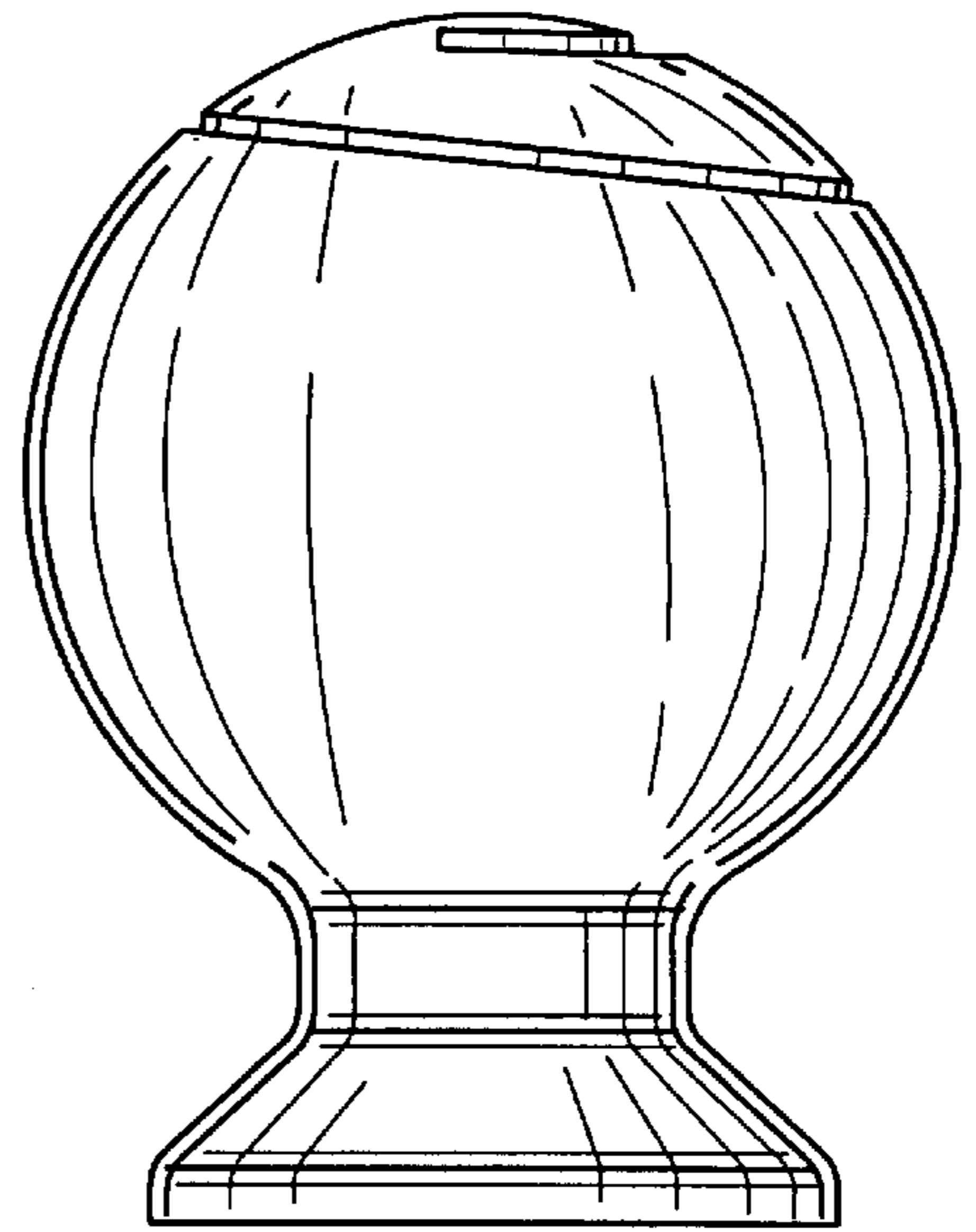


FIG. 2

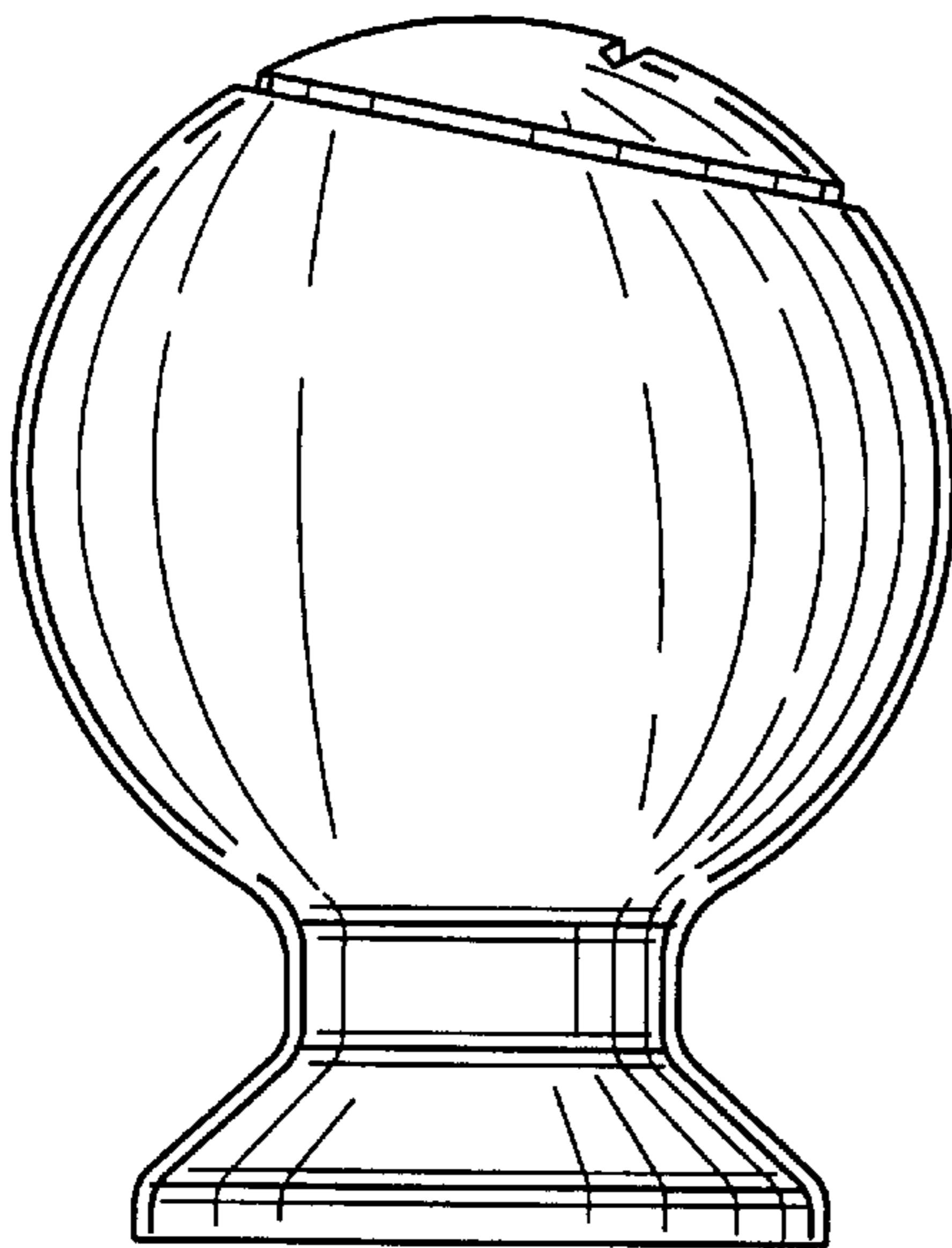


FIG. 3

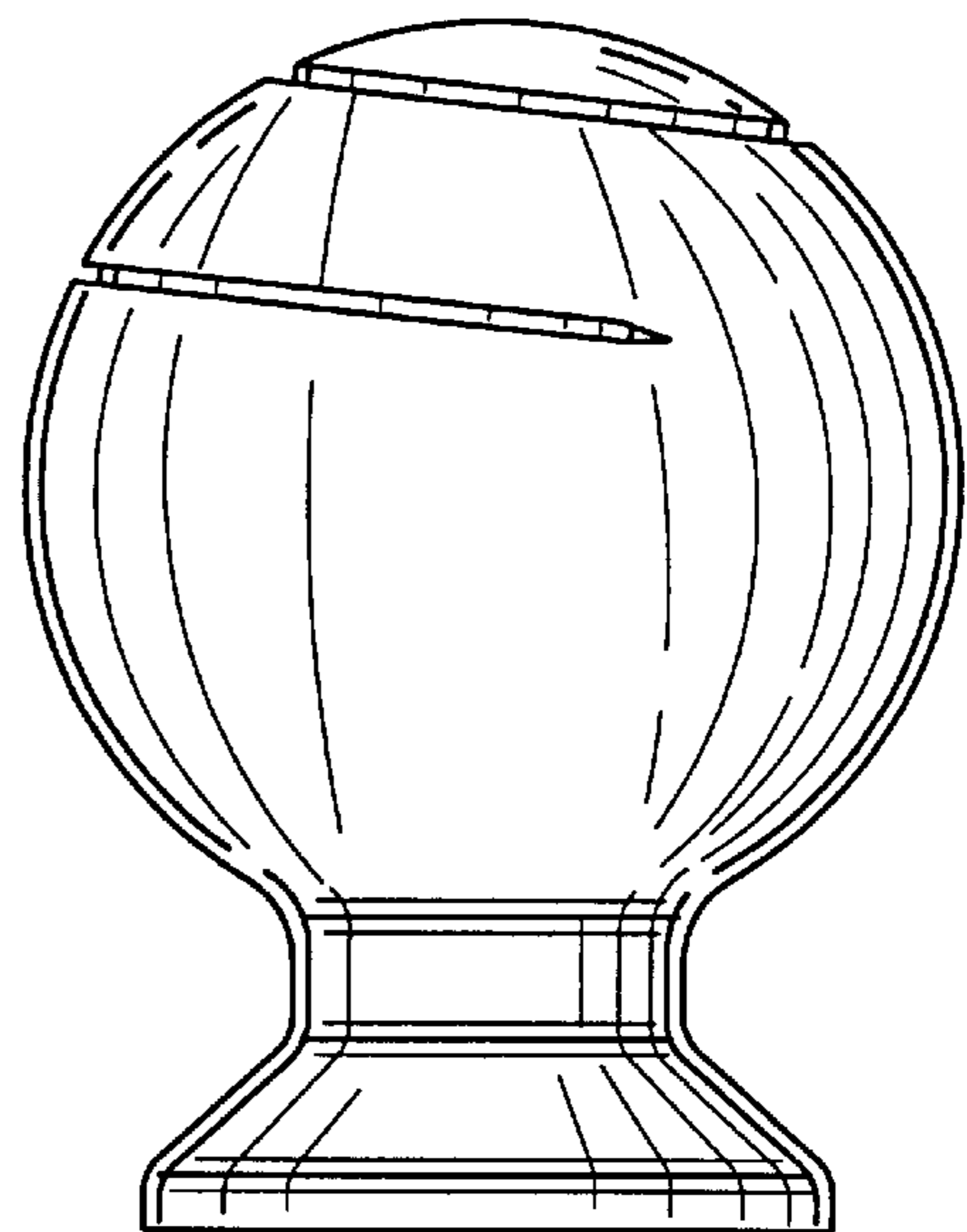


FIG. 4

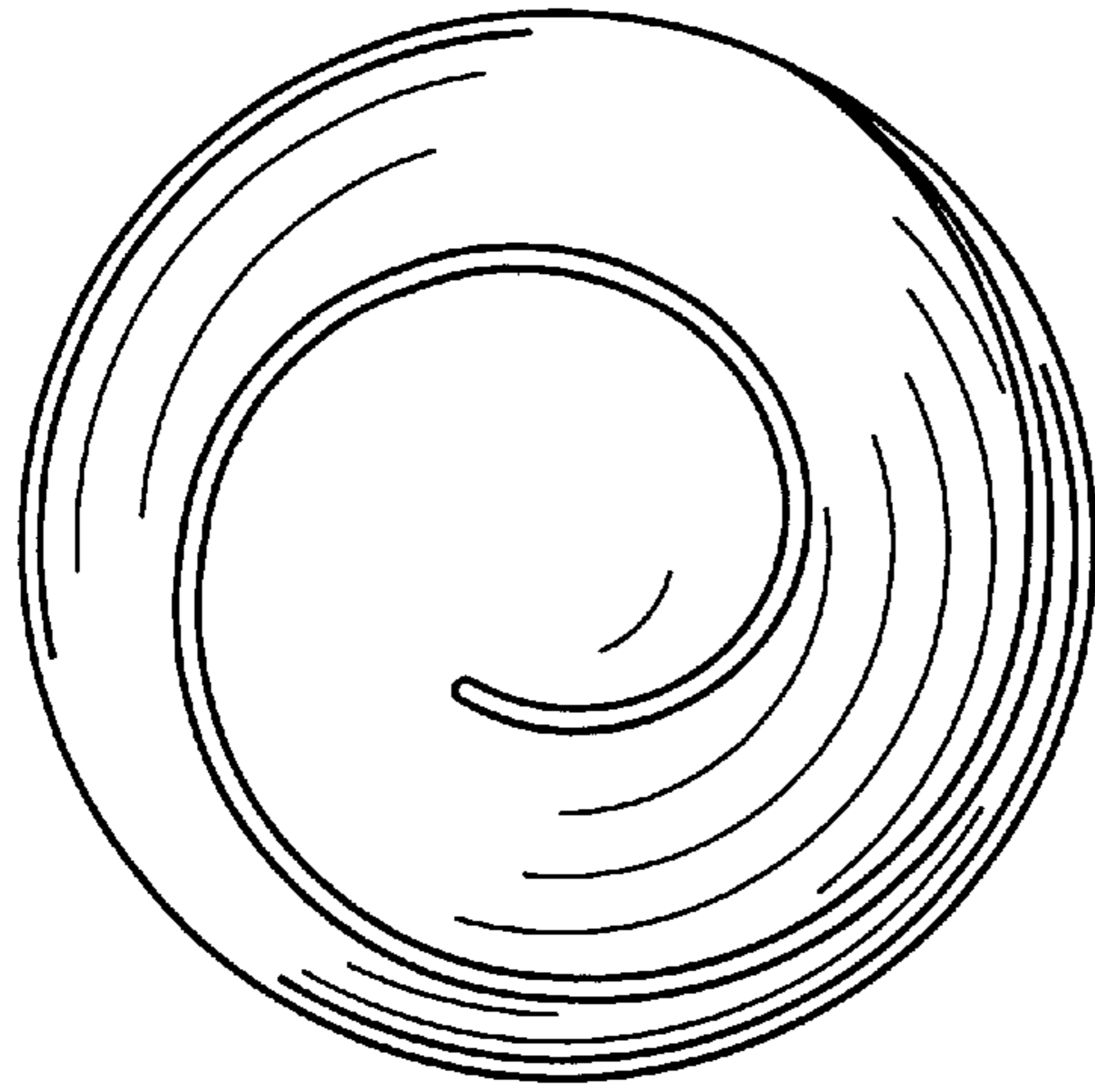


FIG. 5

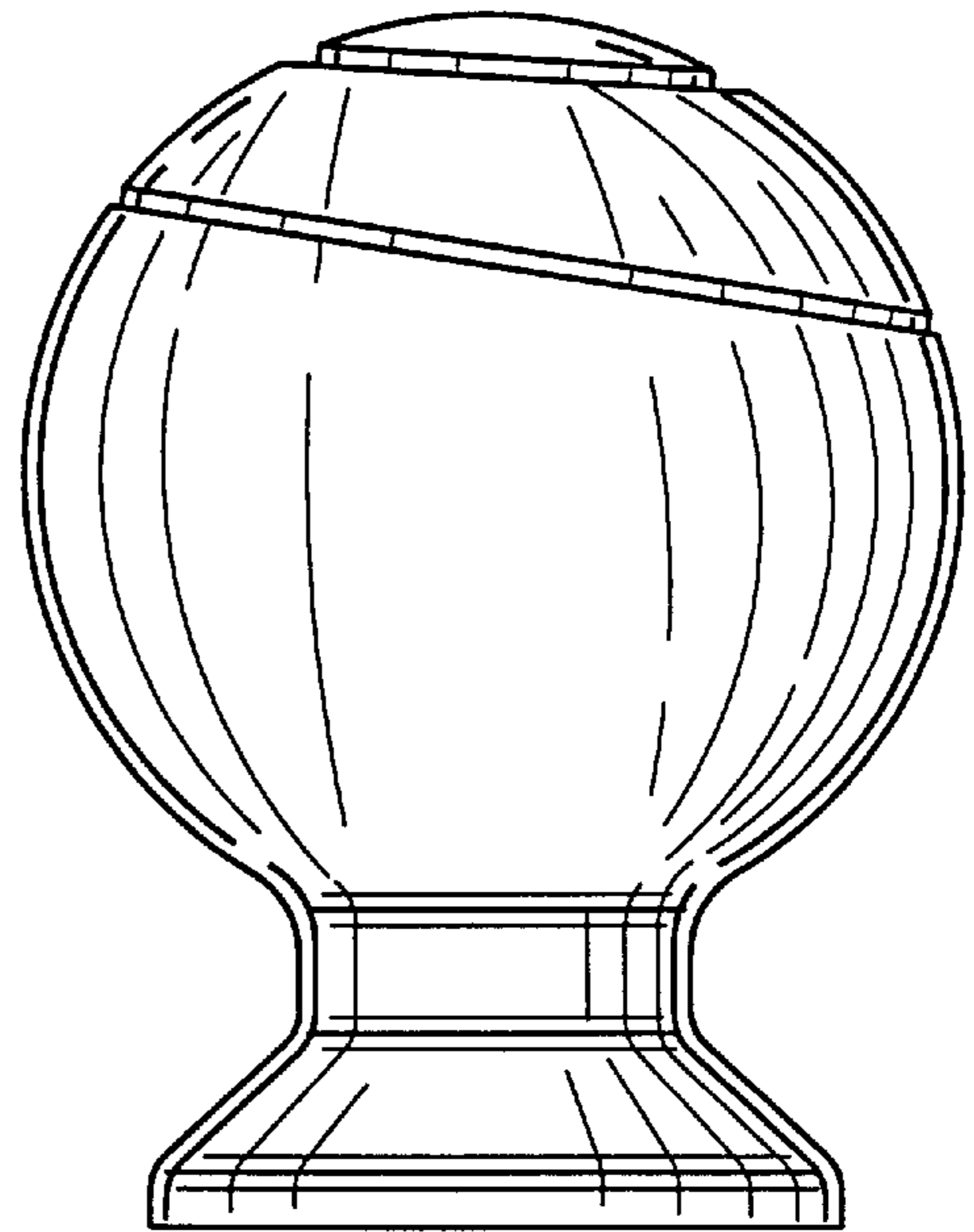


FIG. 6

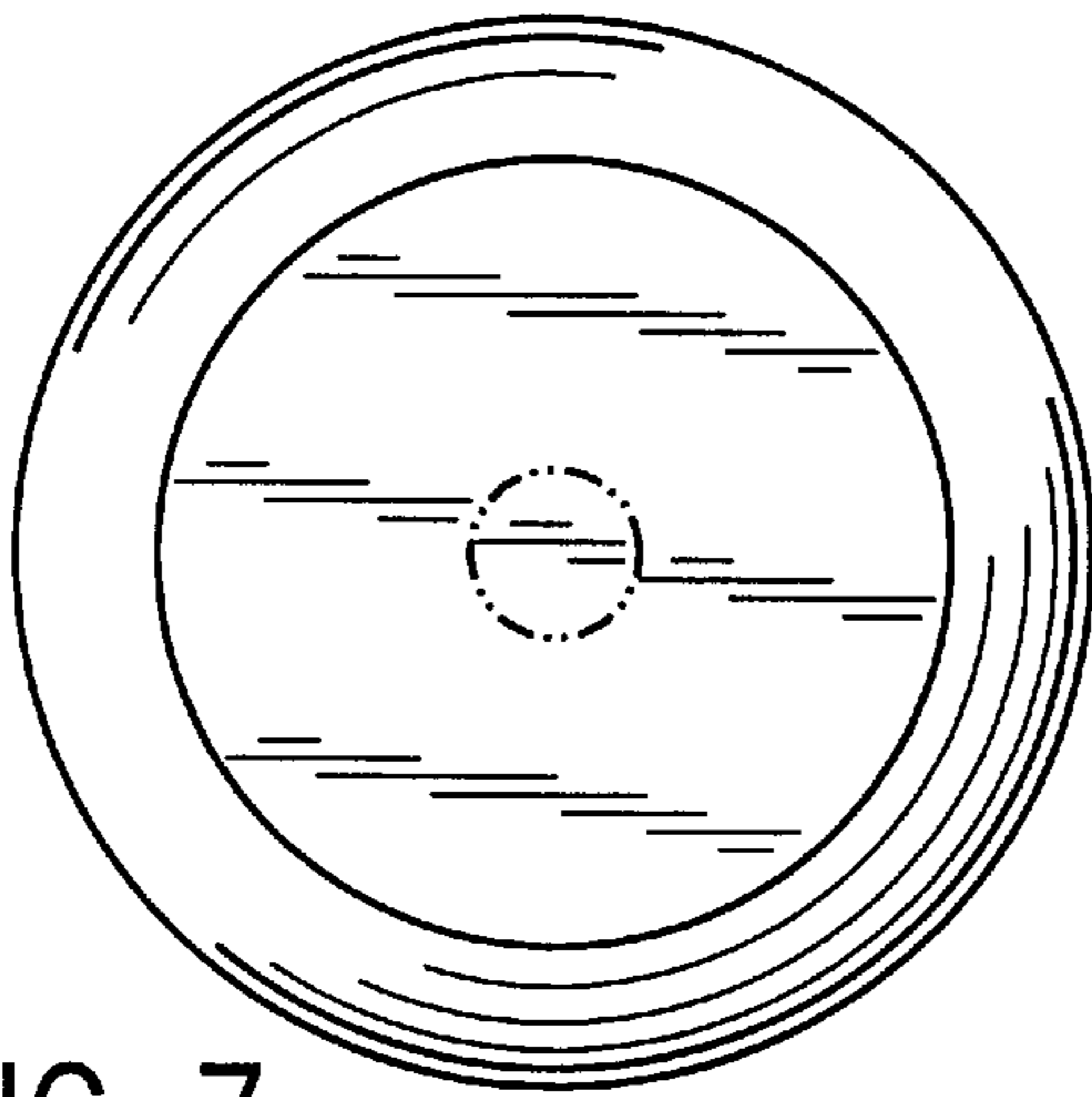


FIG. 7