



US00D418382S

United States Patent [19]

[11] **Patent Number: Des. 418,382**

Jones

[45] **Date of Patent: ** Jan. 4, 2000**

[54] **CARVER'S VISE**

Attorney, Agent, or Firm—John S. Pratt; Kilpatrick Stockton LLP

[75] Inventor: **Steve K. Jones**, Nepean, Canada

[57] **CLAIM**

[73] Assignee: **Lee Valley Tools Ltd.**, Ottawa, Canada

The ornamental design for a carver's vise, as shown.

[**] Term: **14 Years**

DESCRIPTION

[21] Appl. No.: **29/092,856**

FIG. 1 is a front perspective view of the carver's vise showing my design;

[22] Filed: **Aug. 28, 1998**

FIG. 2 is a first side view of the carver's vise;

[51] **LOC (7) Cl.** **08-05**

FIG. 3 is a second side view of the carver's vise;

[52] **U.S. Cl.** **D8/71; D8/74**

FIG. 4 is a rear view of the carver's vise;

[58] **Field of Search** **D8/71, 72, 73, D8/74, 51; 269/74, 75, 55, 56**

FIG. 5 is a top view of the carver's vise;

[56] **References Cited**

FIG. 6 is a bottom view of the carver's vise;

U.S. PATENT DOCUMENTS

FIG. 7 is a perspective view of the carver's vise;

D. 263,368	3/1982	Wagster et al.	D8/74
D. 364,546	11/1995	Tieffel et al.	D8/71
4,106,761	8/1978	Peregrina	269/75
4,306,709	12/1981	Hurn	269/75
4,352,489	10/1982	Wagster	269/75
4,405,120	9/1983	Kober	269/71
5,556,085	9/1996	Cyr	269/75

FIG. 8 is a first side elevational view of the carver's vise;

OTHER PUBLICATIONS

FIG. 9 is a second side elevational view of the carver's vise;

Two (2) photographs of R.T.F. Designs, Ltd. Vise.

FIG. 10 is a rear elevational view of the carver's vise;

Four (4) photographs of Record Carver's Vise.

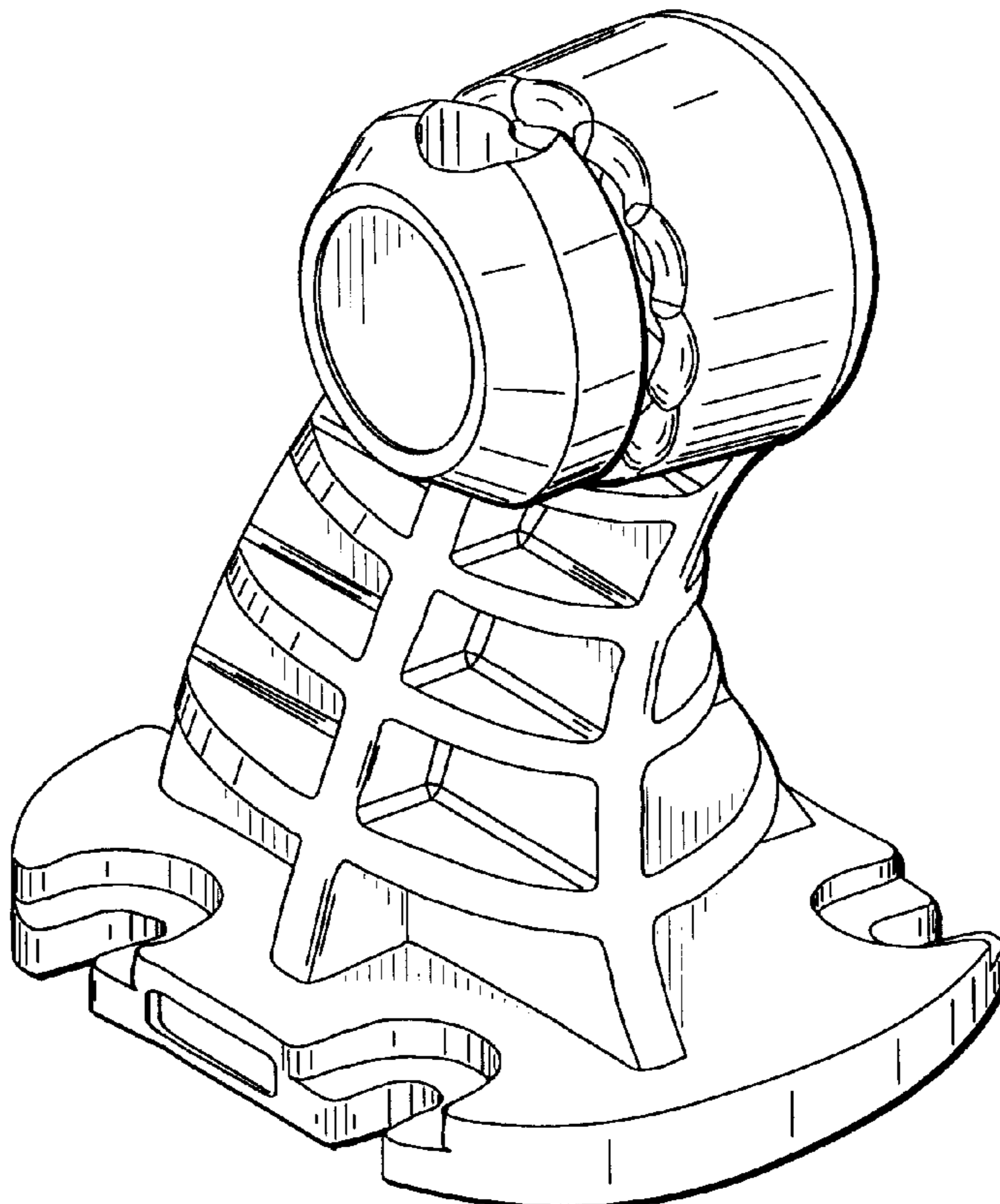
FIG. 11 is a top plan view of the carver's vise; and,

FIG. 12 is a bottom plan view of the carver's vise.

The broken line portions of the disclosure are for illustrative purposes only and form no part of the claimed design.

Primary Examiner—Philip S. Hyder

1 Claim, 6 Drawing Sheets



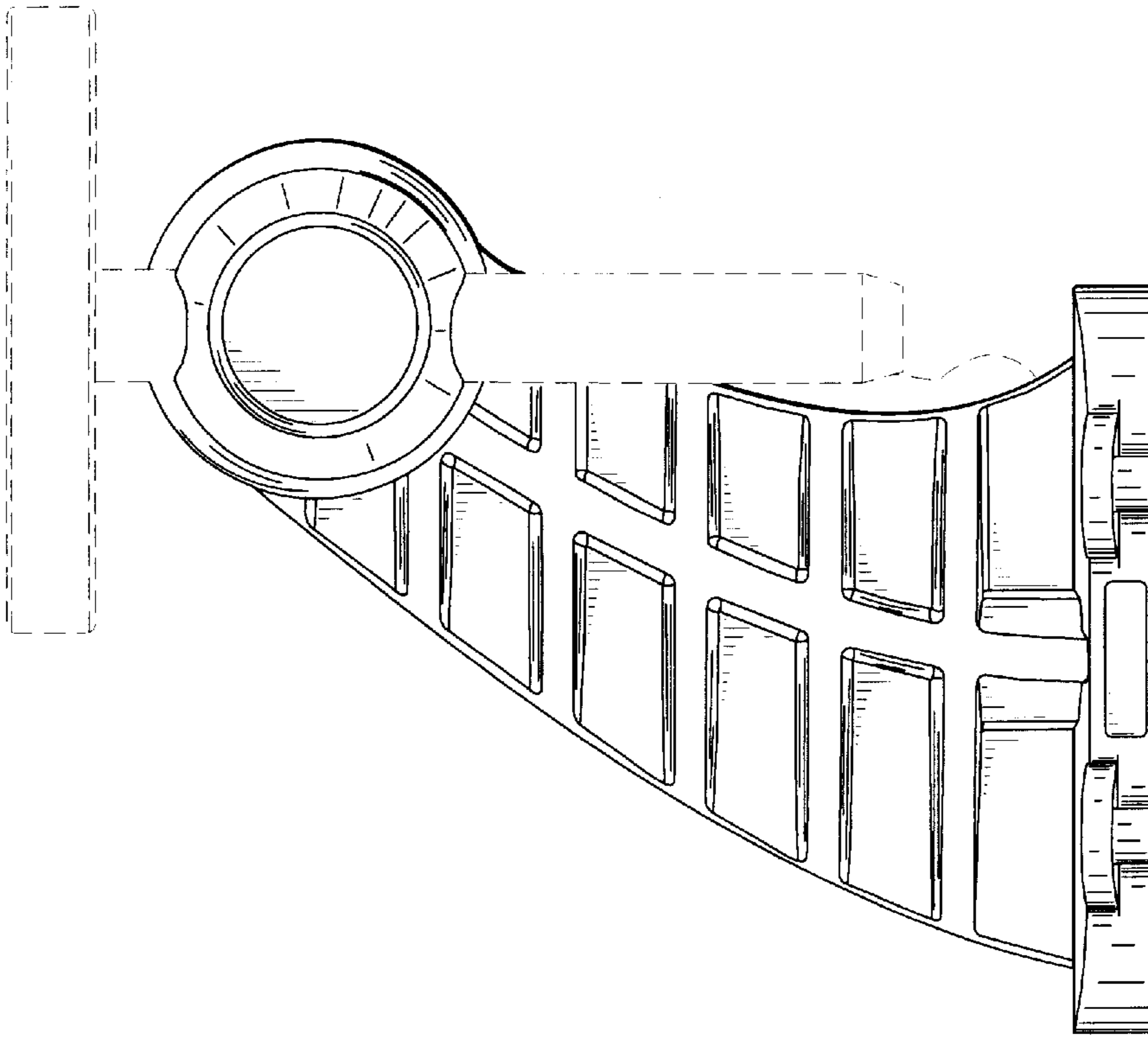


FIG. 2

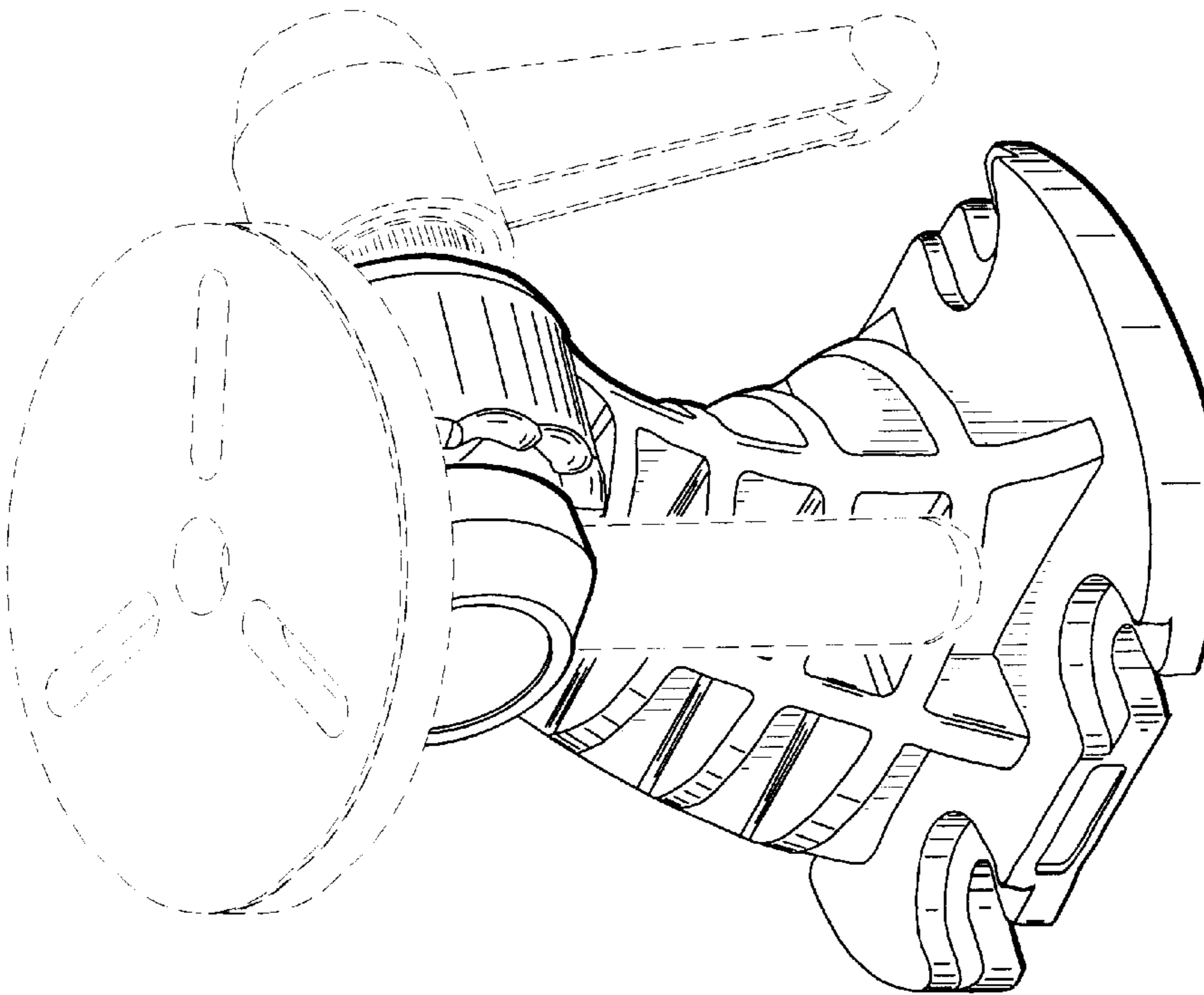


FIG. 1

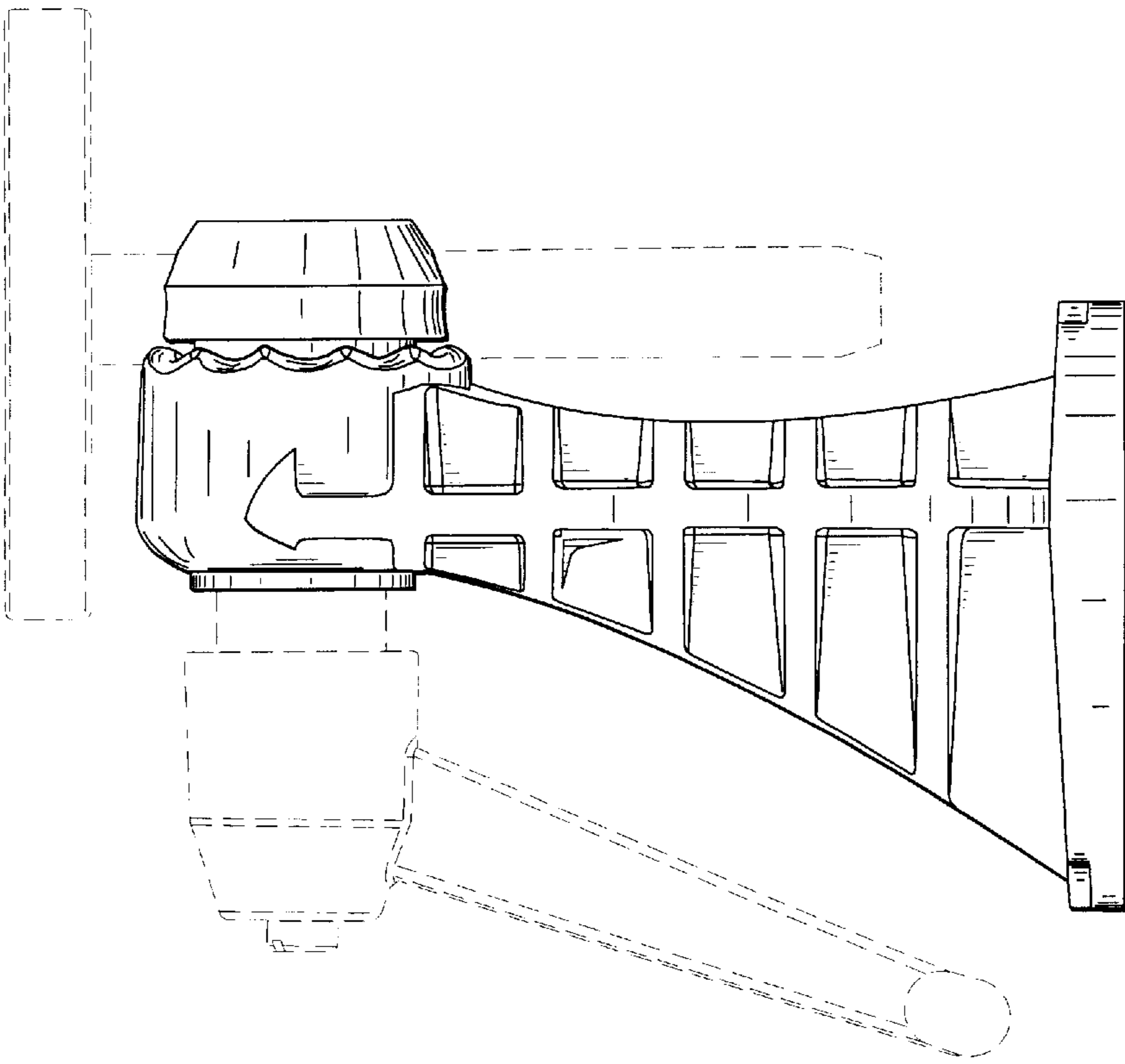


FIG. 4

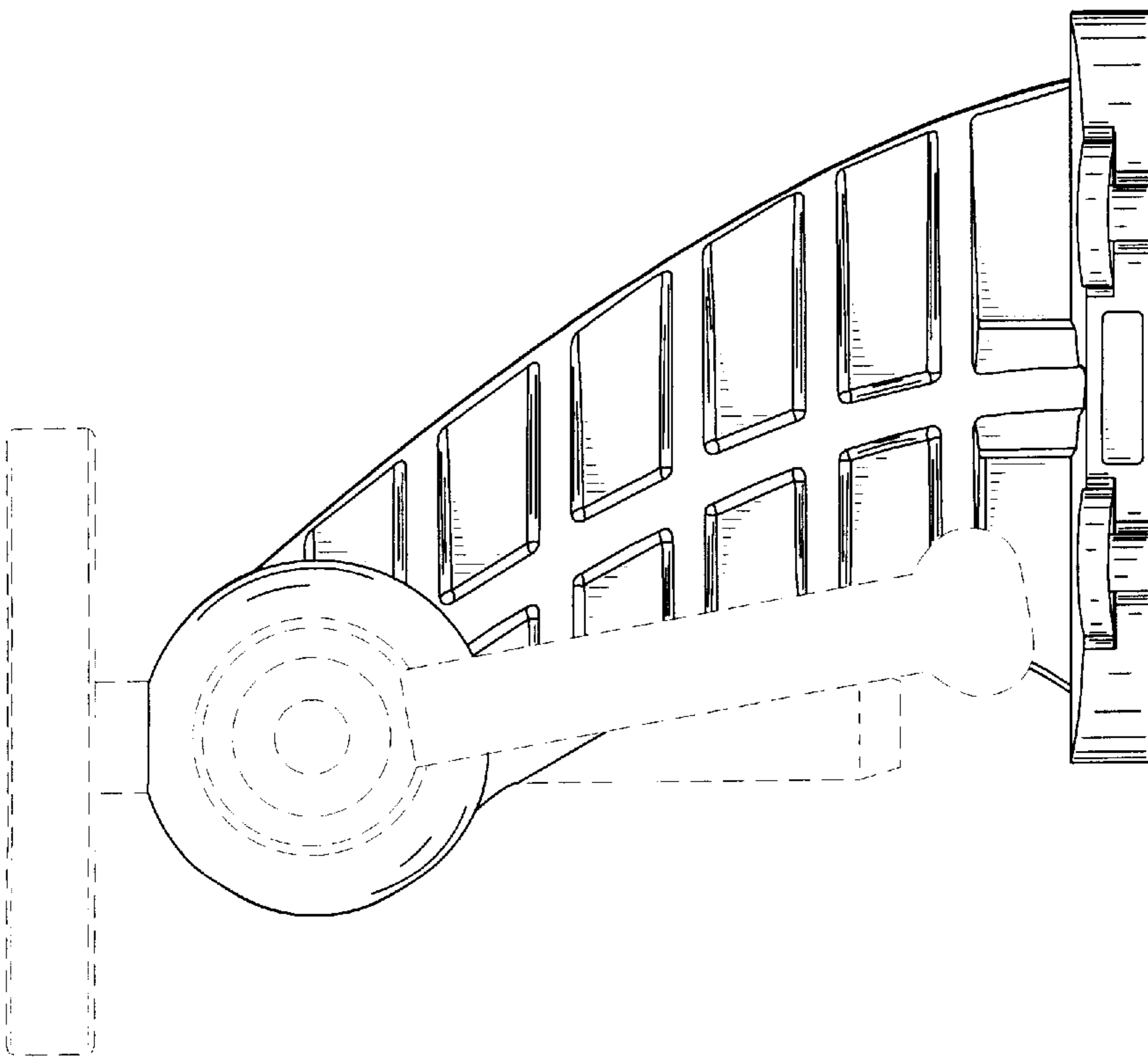


FIG. 3

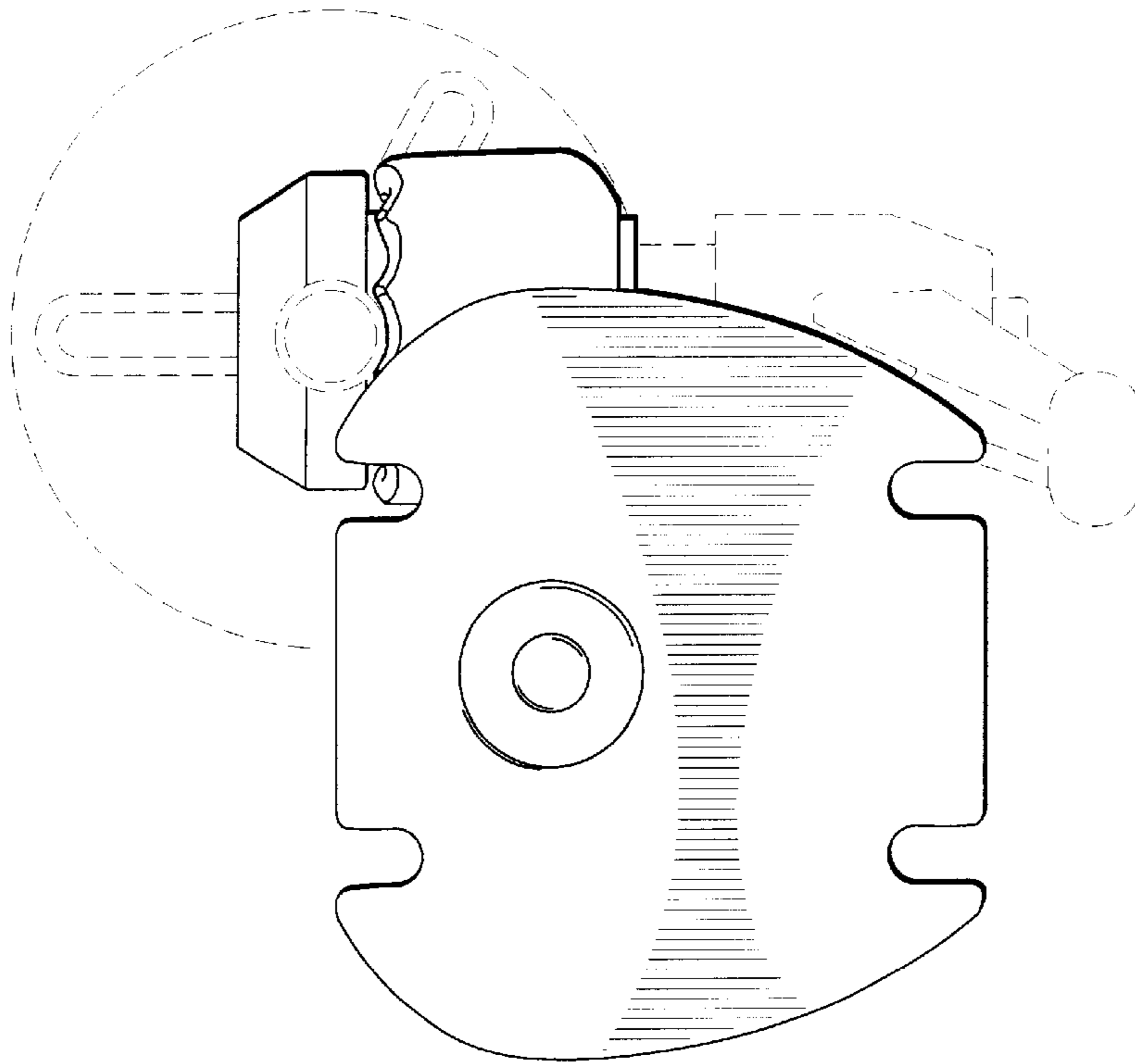


FIG. 6

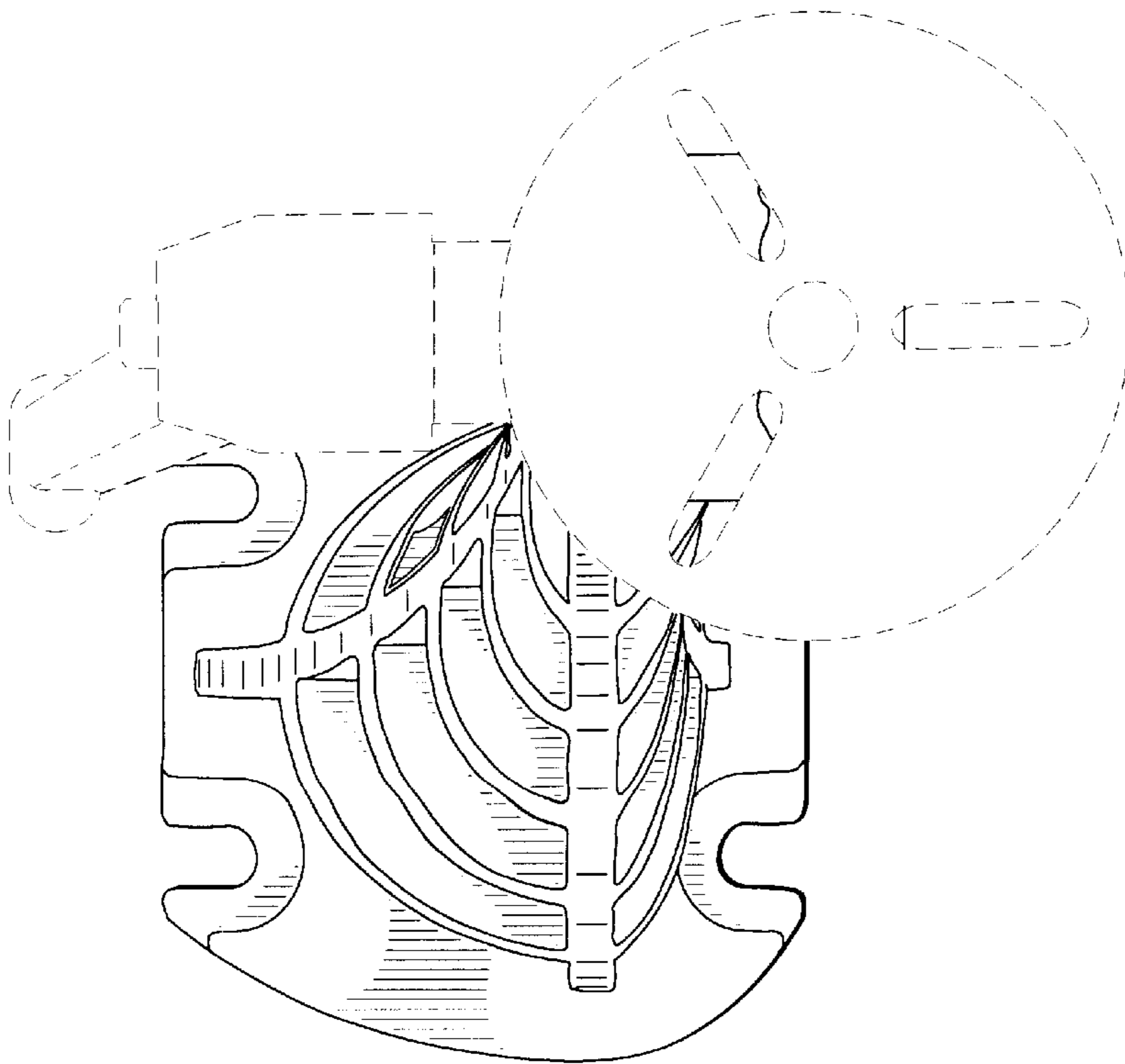


FIG. 5

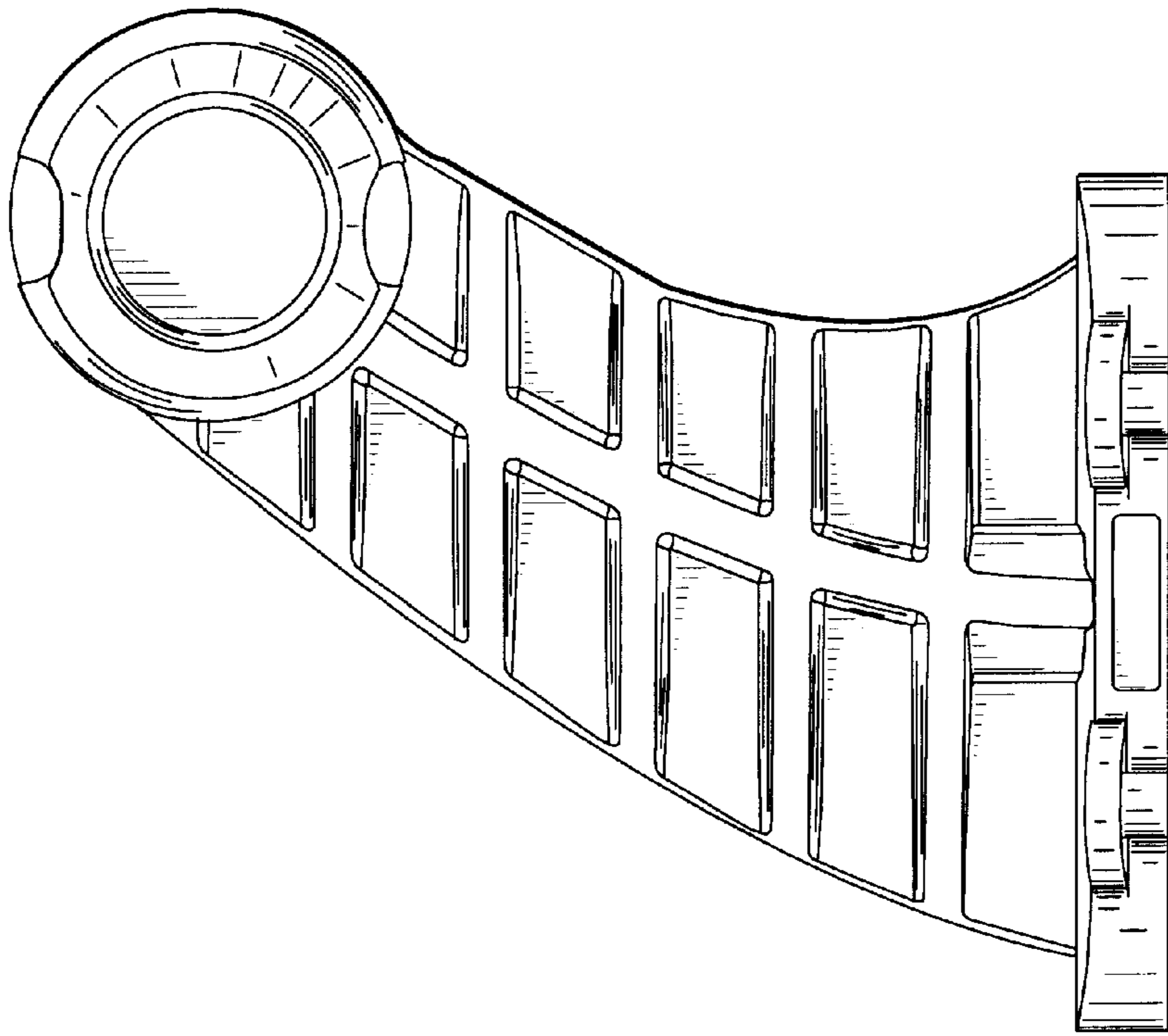


FIG. 8

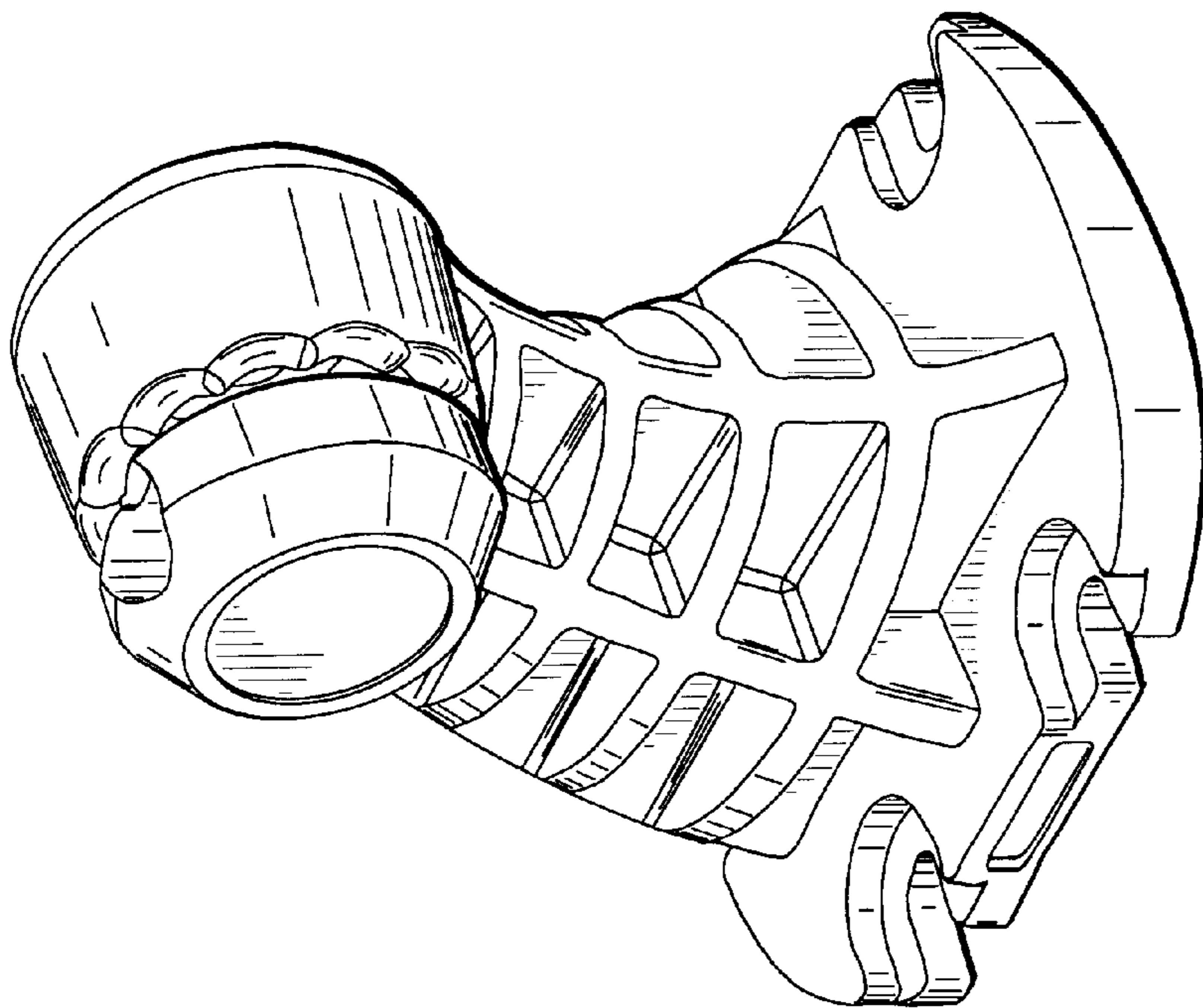


FIG. 7

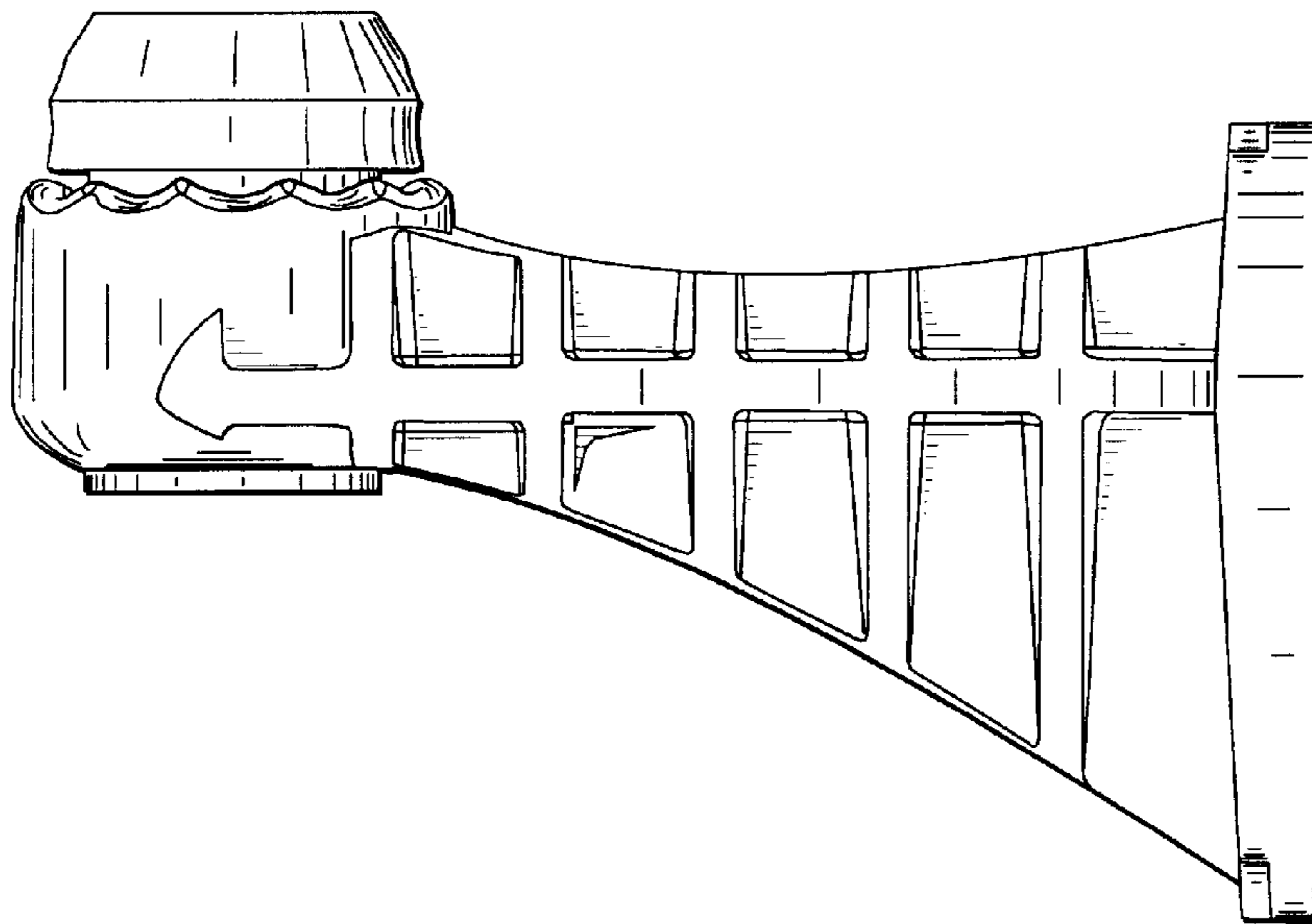


FIG. 10

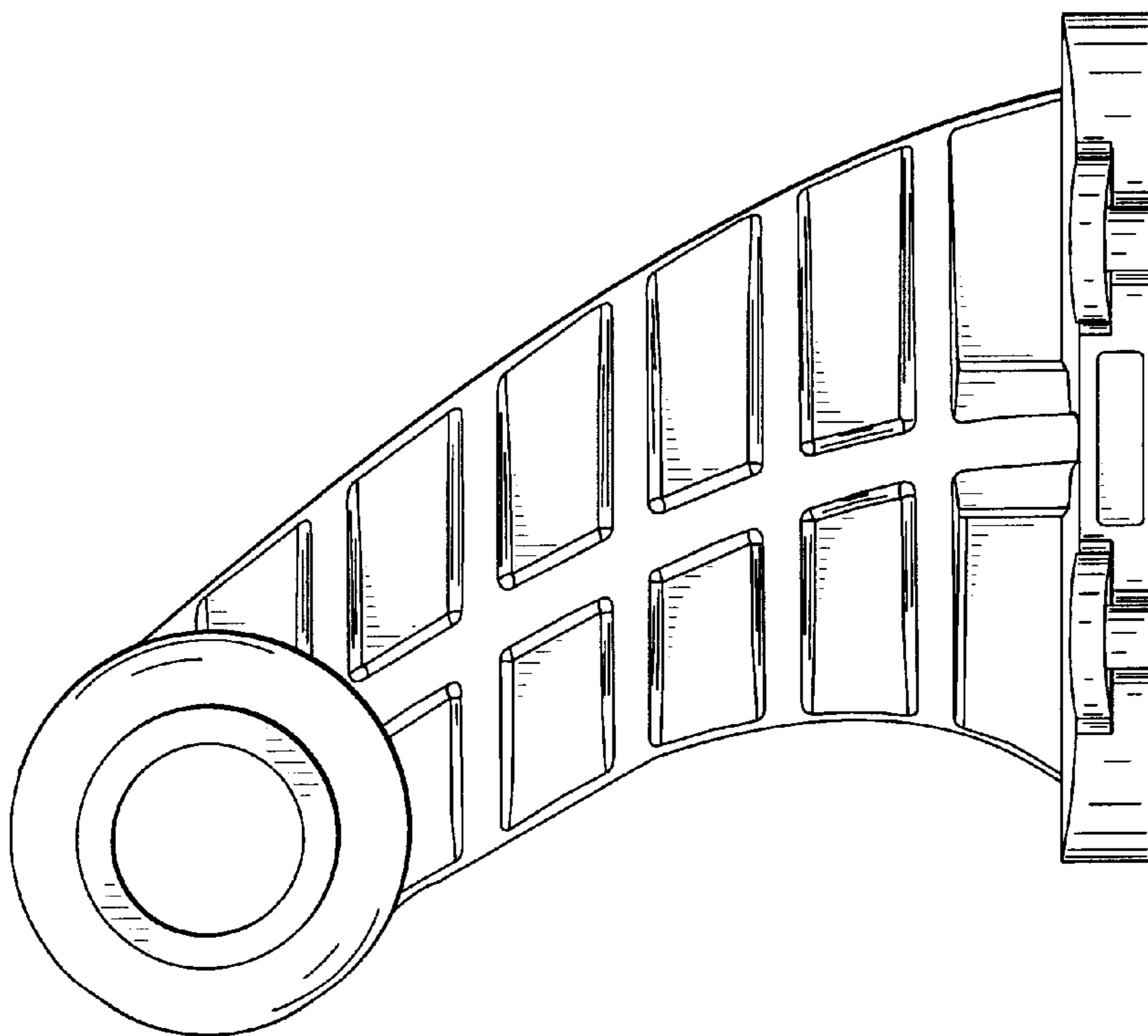


FIG. 9

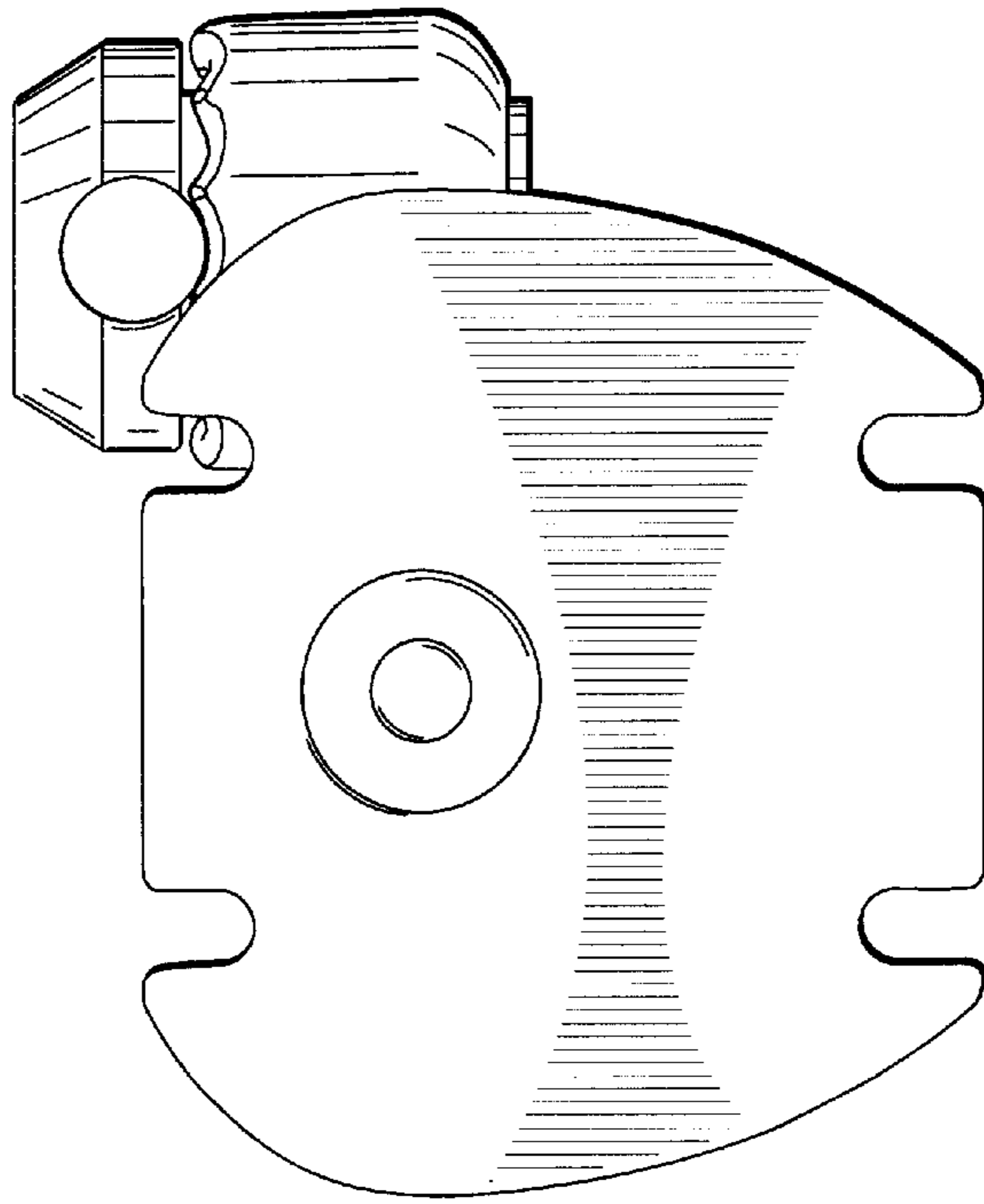


FIG. 11

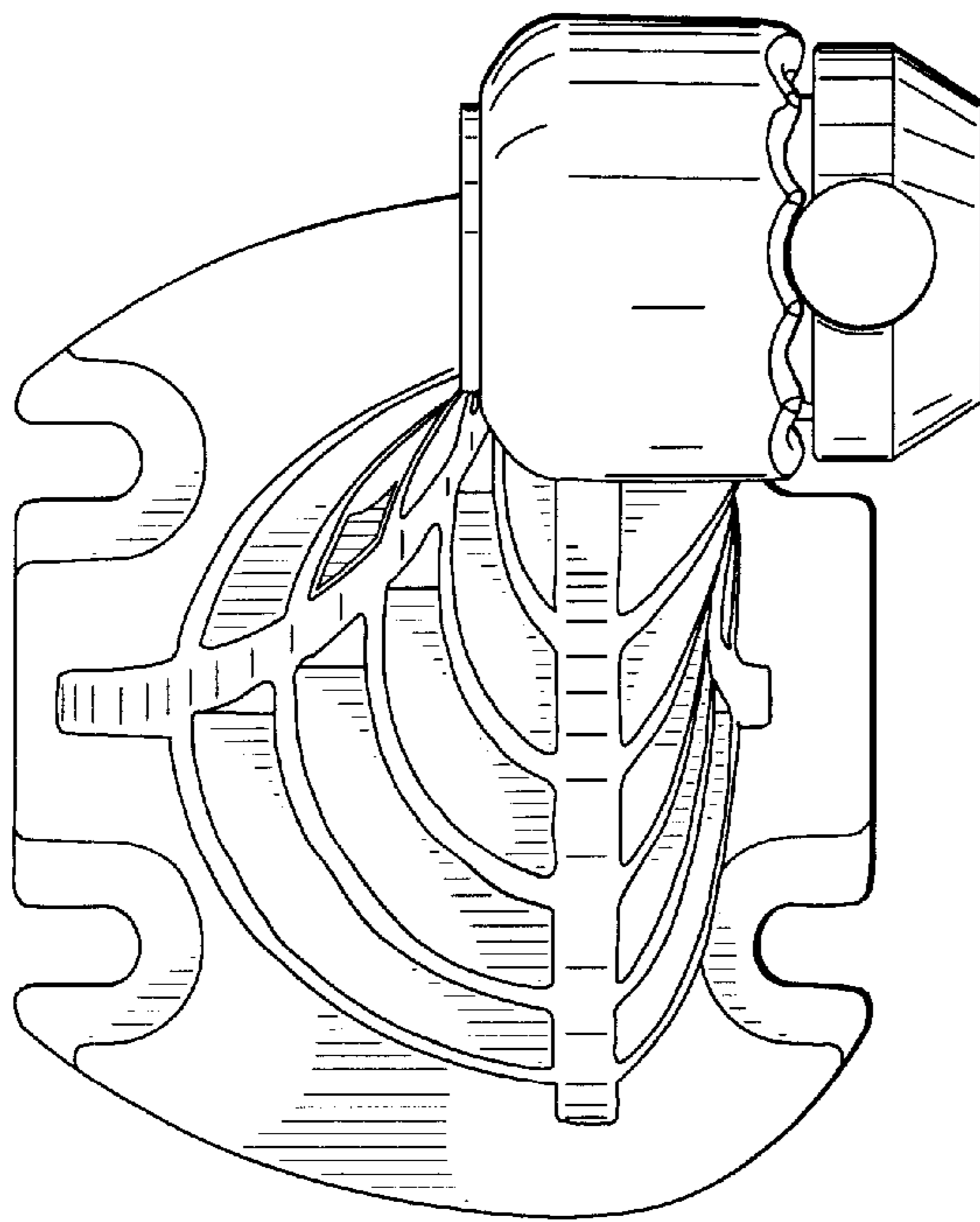


FIG. 12