



US00D418380S

United States Patent [19] Chrysler

[11] **Patent Number: Des. 418,380**
[45] **Date of Patent: ** Jan. 4, 2000**

[54] **HEART SHAPED HOE**

[76] Inventor: **R. William Chrysler**, 1999 Buford St.,
Alva, Fla. 33920

[**] Term: **14 Years**

[21] Appl. No.: **29/066,314**

[22] Filed: **Feb. 10, 1997**

[51] **LOC (7) Cl. 08-01**

[52] **U.S. Cl. D8/11**

[58] **Field of Search** D8/1, 7, 10-11;
D32/46, 49; 15/143.1, 144.1, 144.2, 144.3,
145, 236.01, 236.05, 236.06, 236.07; 30/169,
171; 172/371-375, 380, 381

[56] **References Cited**

U.S. PATENT DOCUMENTS

D. 31,633	10/1899	Baumgardner	D8/11
182,875	10/1876	Warren	172/375
318,148	5/1885	Still	172/375
876,649	1/1908	Long	172/375
2,931,445	4/1960	Meredich	172/375

Primary Examiner—Alan P. Douglas
Assistant Examiner—Lavone D. Tabor
Attorney, Agent, or Firm—Frank A. Lukasik

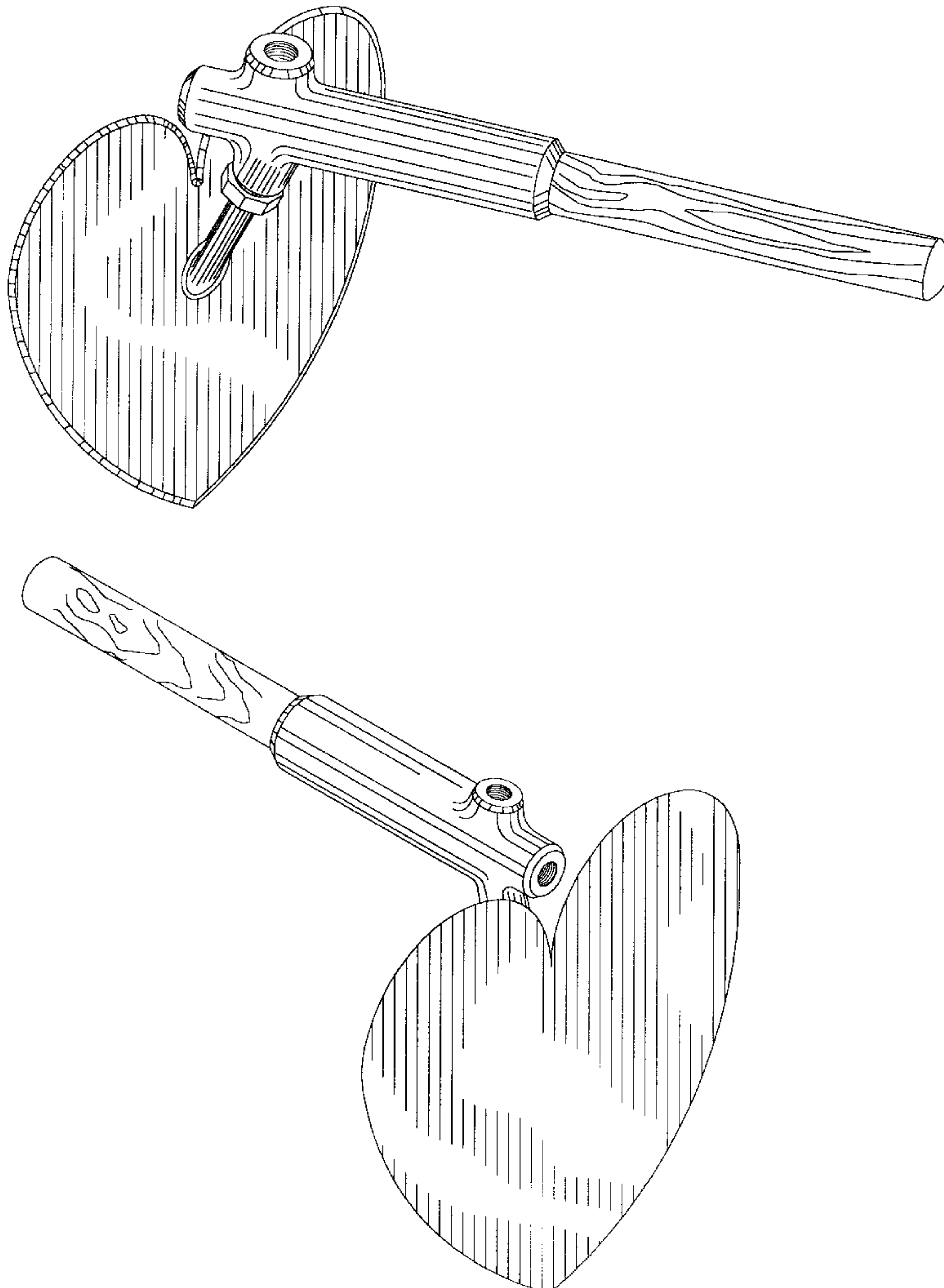
[57] **CLAIM**

The ornamental design for a heart shaped hoe, as shown and described.

DESCRIPTION

FIG. 1 is a top, rear perspective view of a heart shaped hoe showing my new design;
FIG. 2 is a top, front perspective view thereof;
FIG. 3 is a rear view of the blade only;
FIG. 4 is a side view of FIG. 3;
FIG. 5 is a partial side view of FIG. 1, the opposite side being a mirror image;
FIG. 6 is a partial side view thereof with the handle and connector unit shown in a first alternate position; and,
FIG. 7 is a partial side view thereof with the handle and connector unit shown in a second alternate position.
The partial showing or omittance of the handle and connector unit is for ease of illustration.

1 Claim, 5 Drawing Sheets



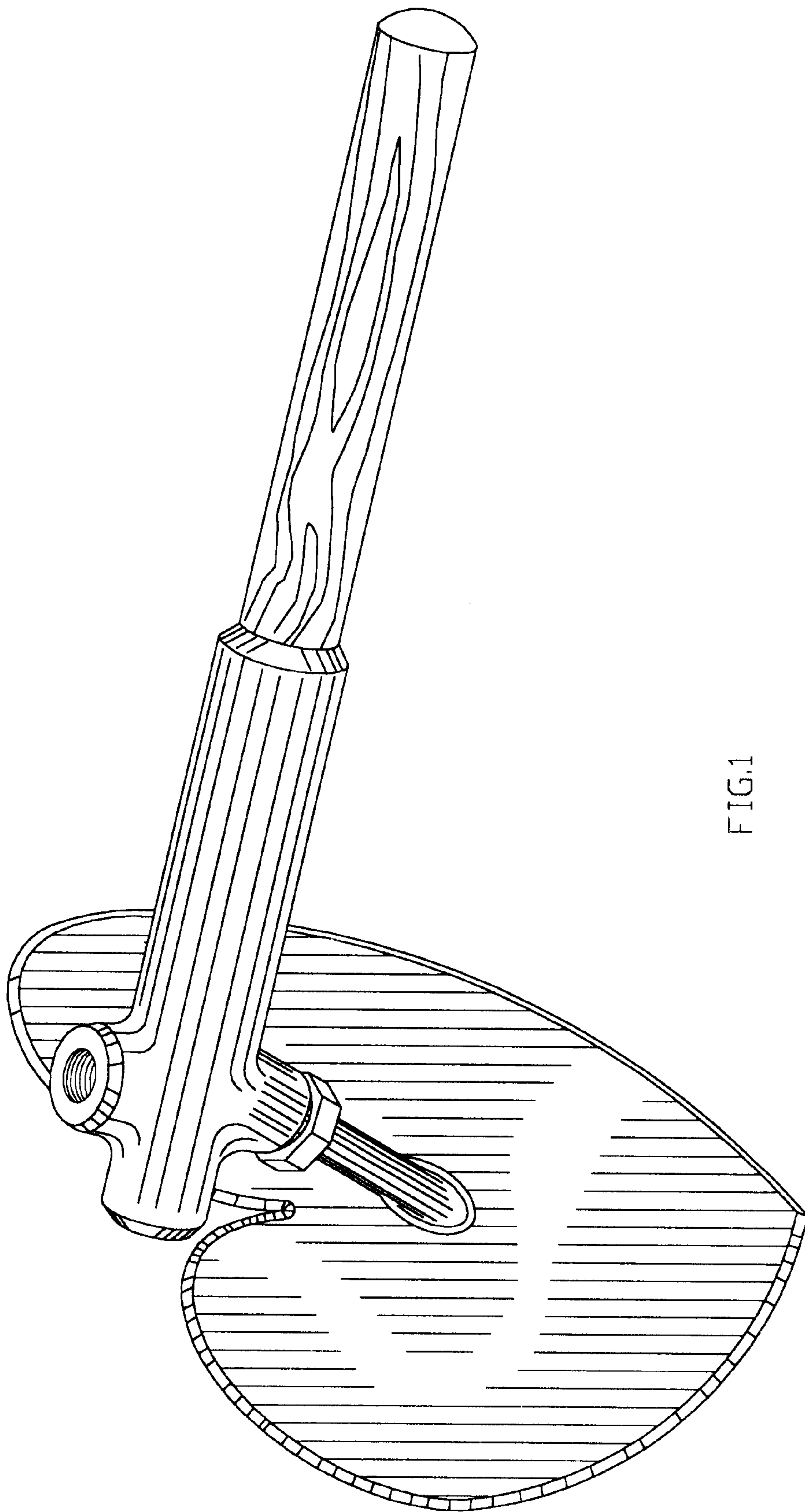


FIG. 1

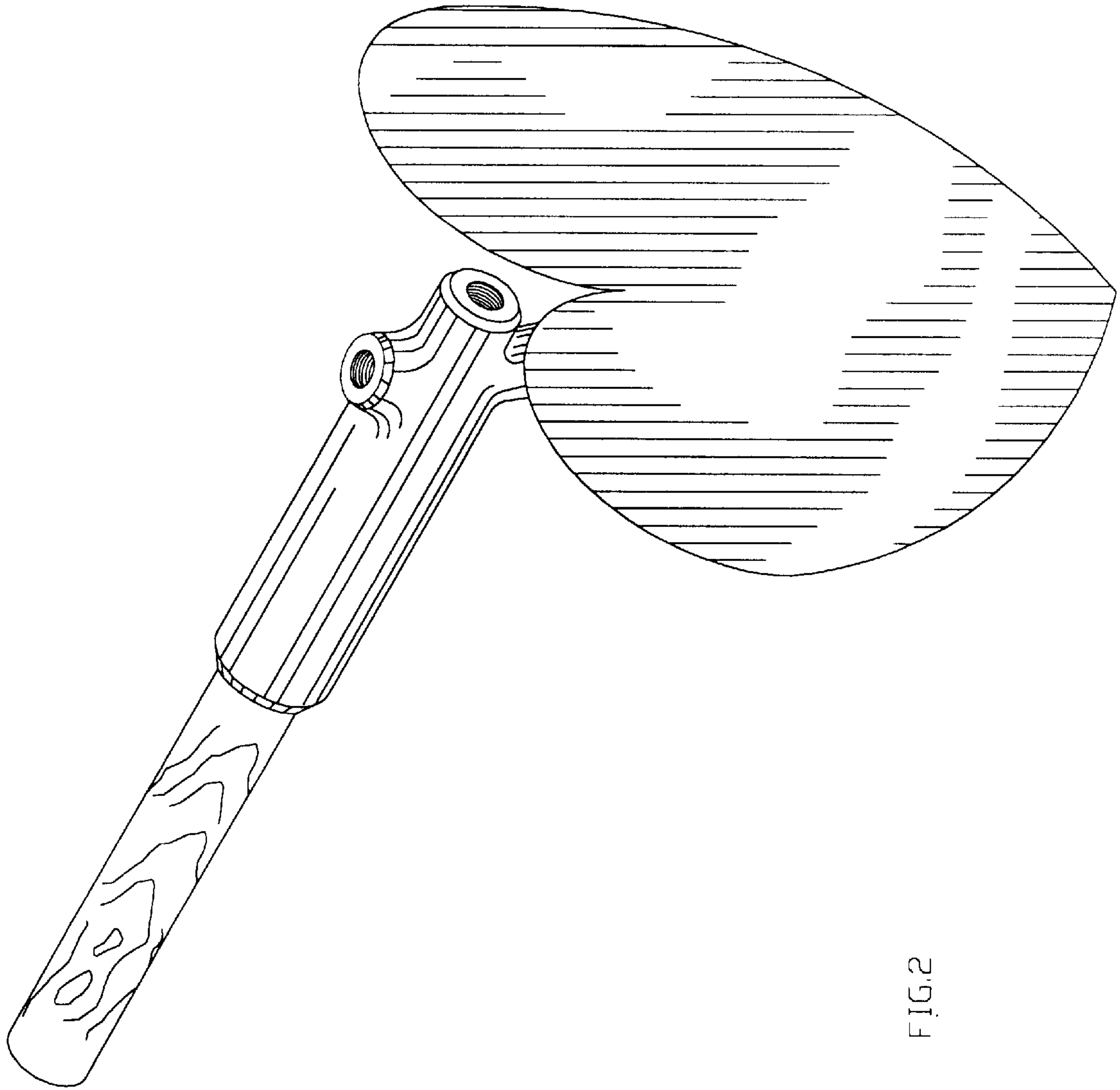


FIG. 2

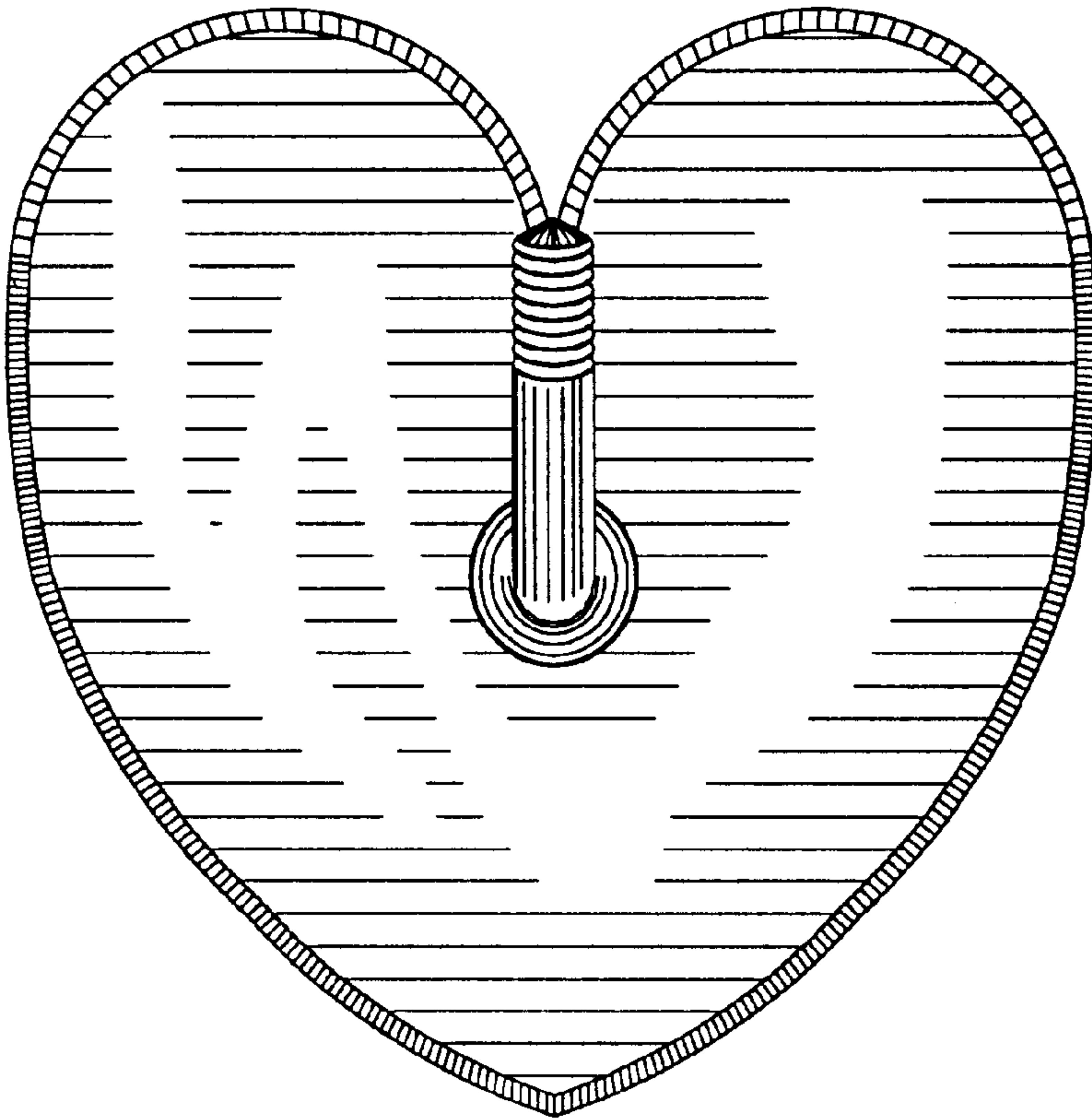


FIG. 3

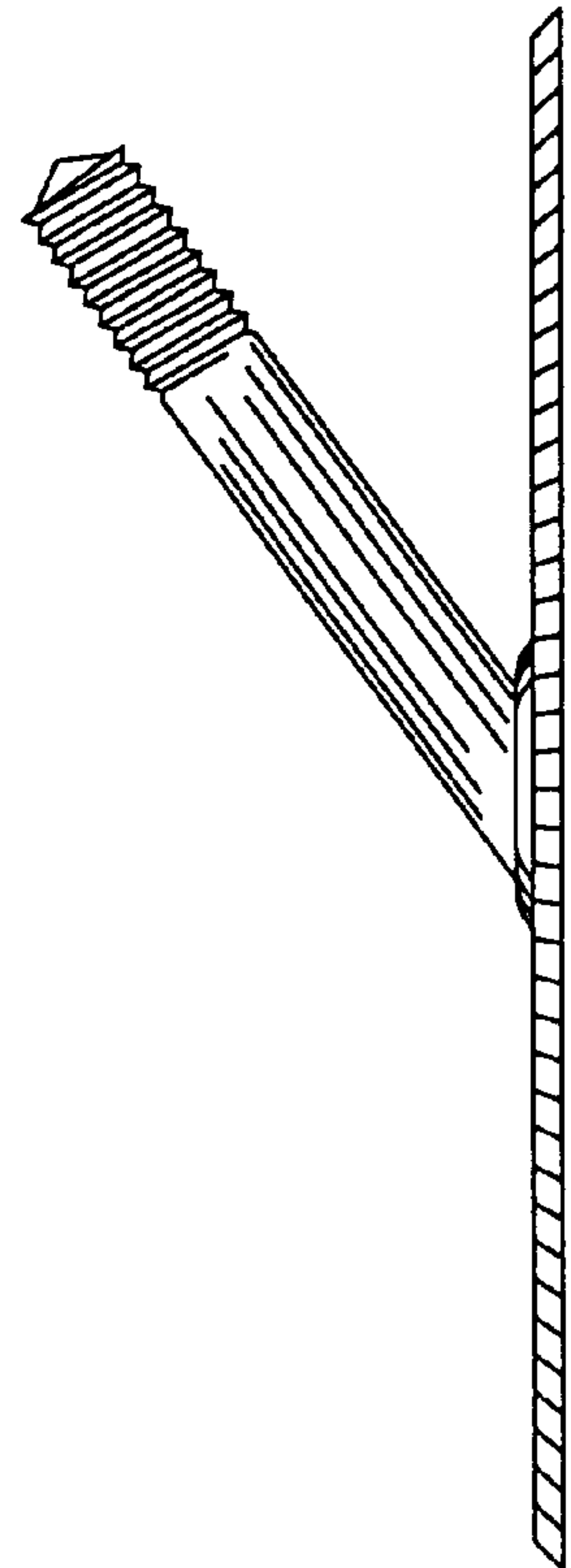


FIG. 4

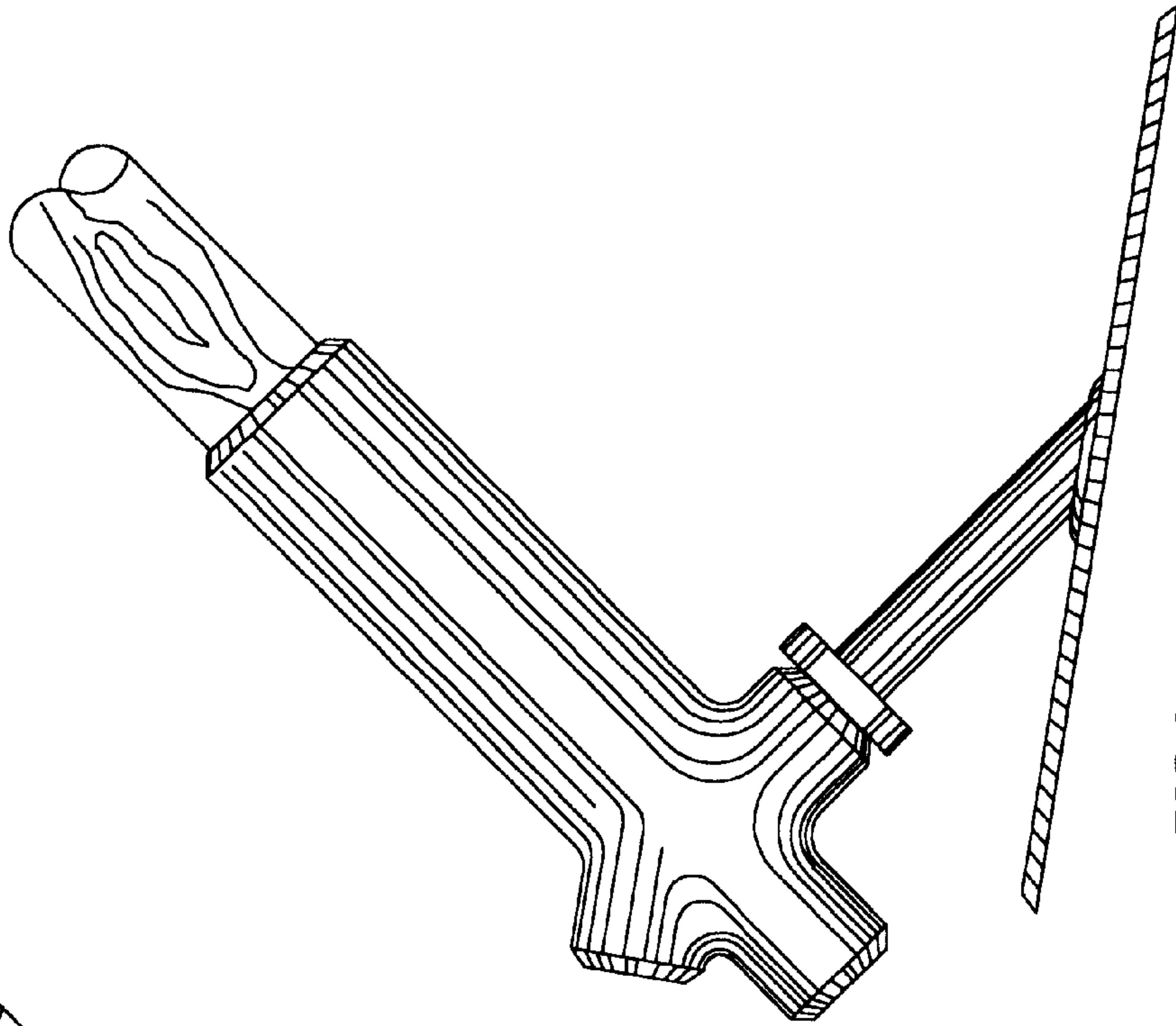


FIG. 6

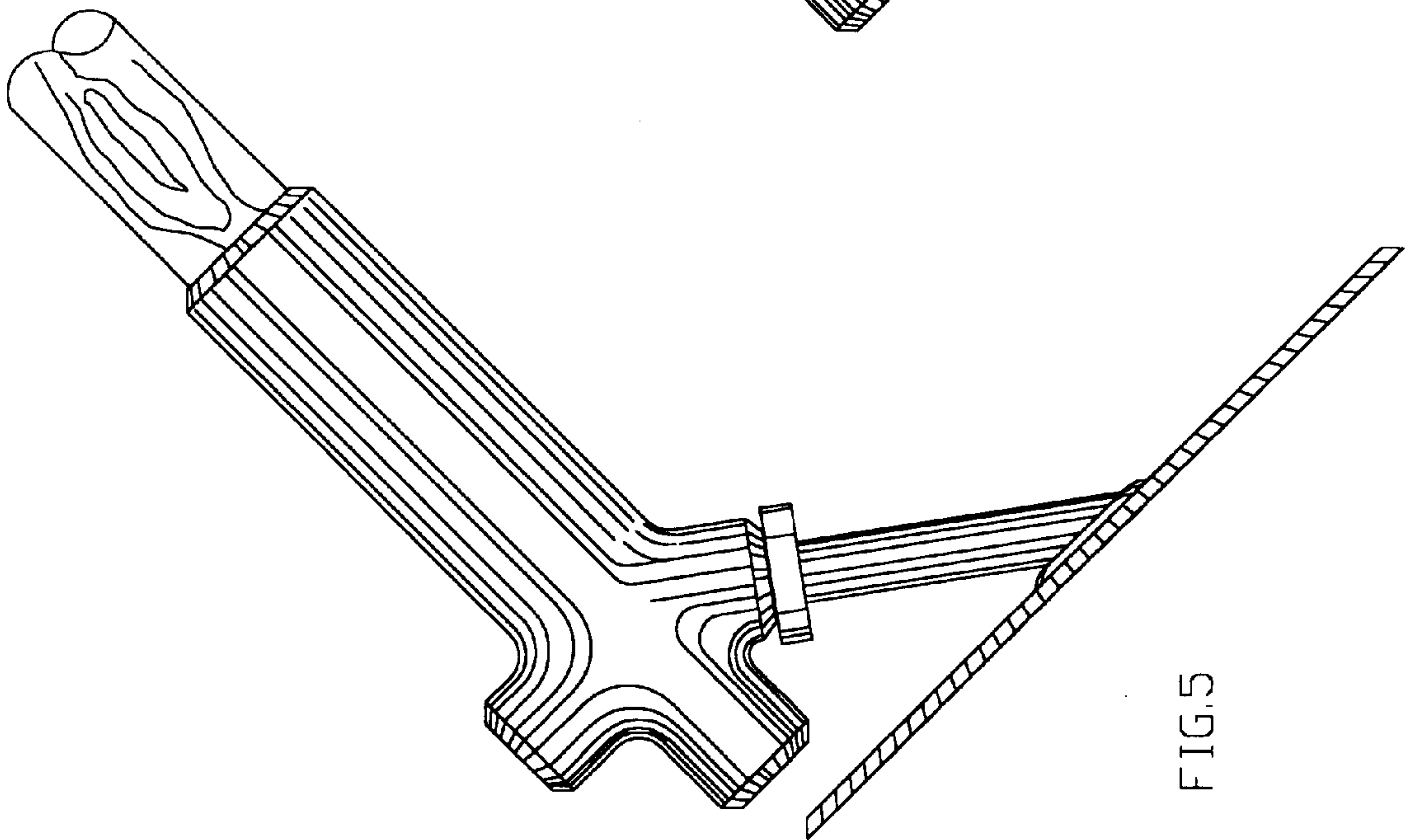


FIG. 5

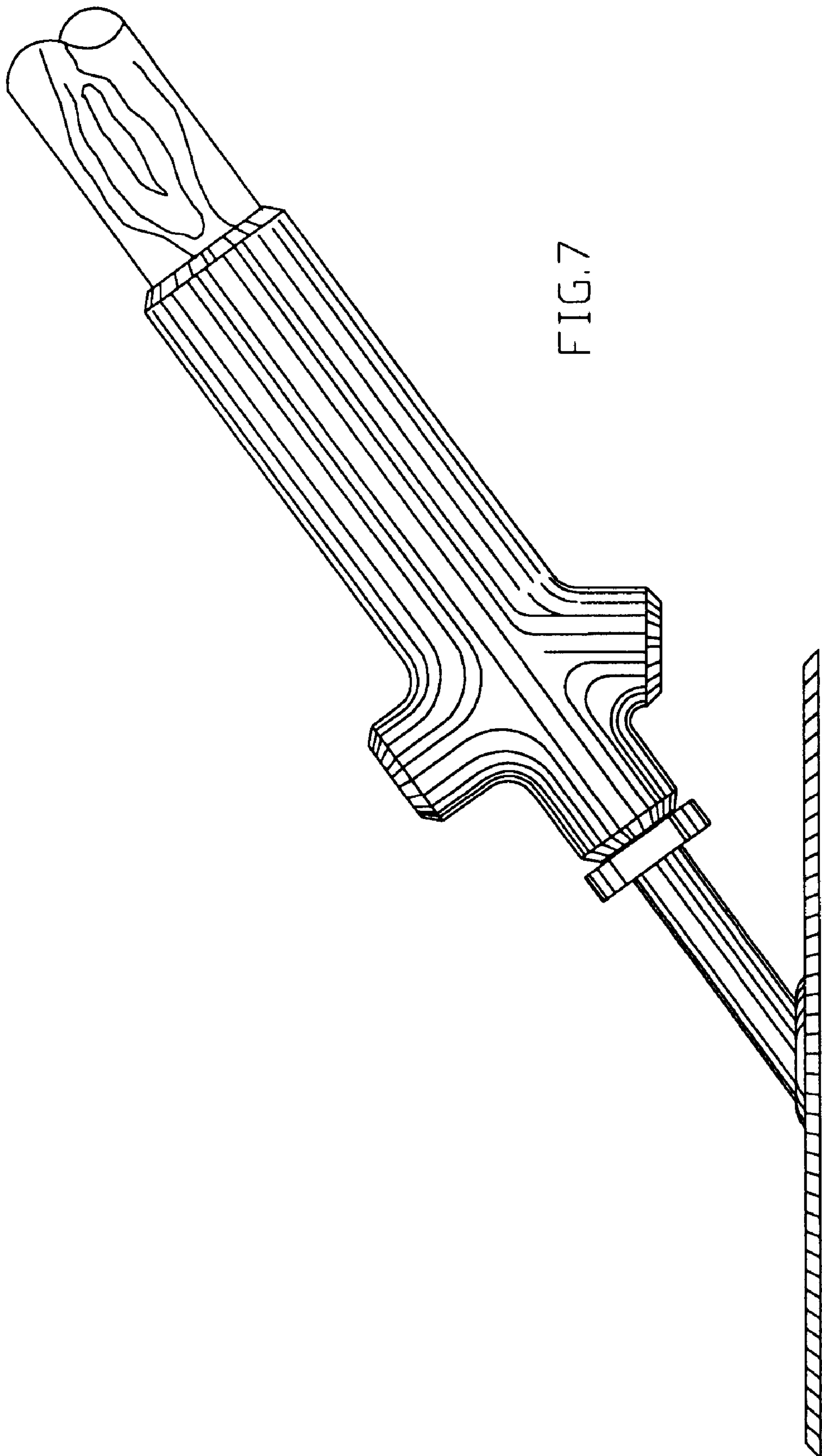


FIG. 7