



US00D418378S

United States Patent [19]

Lillelund et al.

[11] Patent Number: **Des. 418,378**

[45] Date of Patent: **** Jan. 4, 2000**

[54] **COVERED TRAY**

[75] Inventors: **Stig Lillelund**, Gentofte; **Jakob Heiberg**, Charlottenlund; **Hanne Dalsgaard Jeppesen**, Holte, all of Denmark; **Robert H. C. M. Daenen**, Essene, Belgium

[73] Assignee: **Dart Industries Inc.**, Orlando, Fla.

[**] Term: **14 Years**

[21] Appl. No.: **29/092,335**

[22] Filed: **Aug. 17, 1998**

[51] **LOC (7) Cl.** **07-01**

[52] **U.S. Cl.** **D7/629; D7/502**

[58] **Field of Search** D7/502, 538-542, D7/610, 629; D9/424, 430-432; 220/4.21, 337, 352, 353, 445, 675, 796, 799; 206/557

[56] **References Cited**

U.S. PATENT DOCUMENTS

D. 216,214 12/1969 Daenen D7/502

D. 269,313 6/1983 Swett et al. .
D. 284,437 7/1986 Zieff et al. D7/502 X
D. 302,924 8/1989 Daenen et al. .
D. 322,013 12/1991 Daenen et al. D7/542
D. 391,809 3/1998 Jeppesen et al. D7/629
3,863,833 2/1975 Swett et al. 220/4.21

Primary Examiner—Terry A. Wallace
Attorney, Agent, or Firm—Taylor Ross

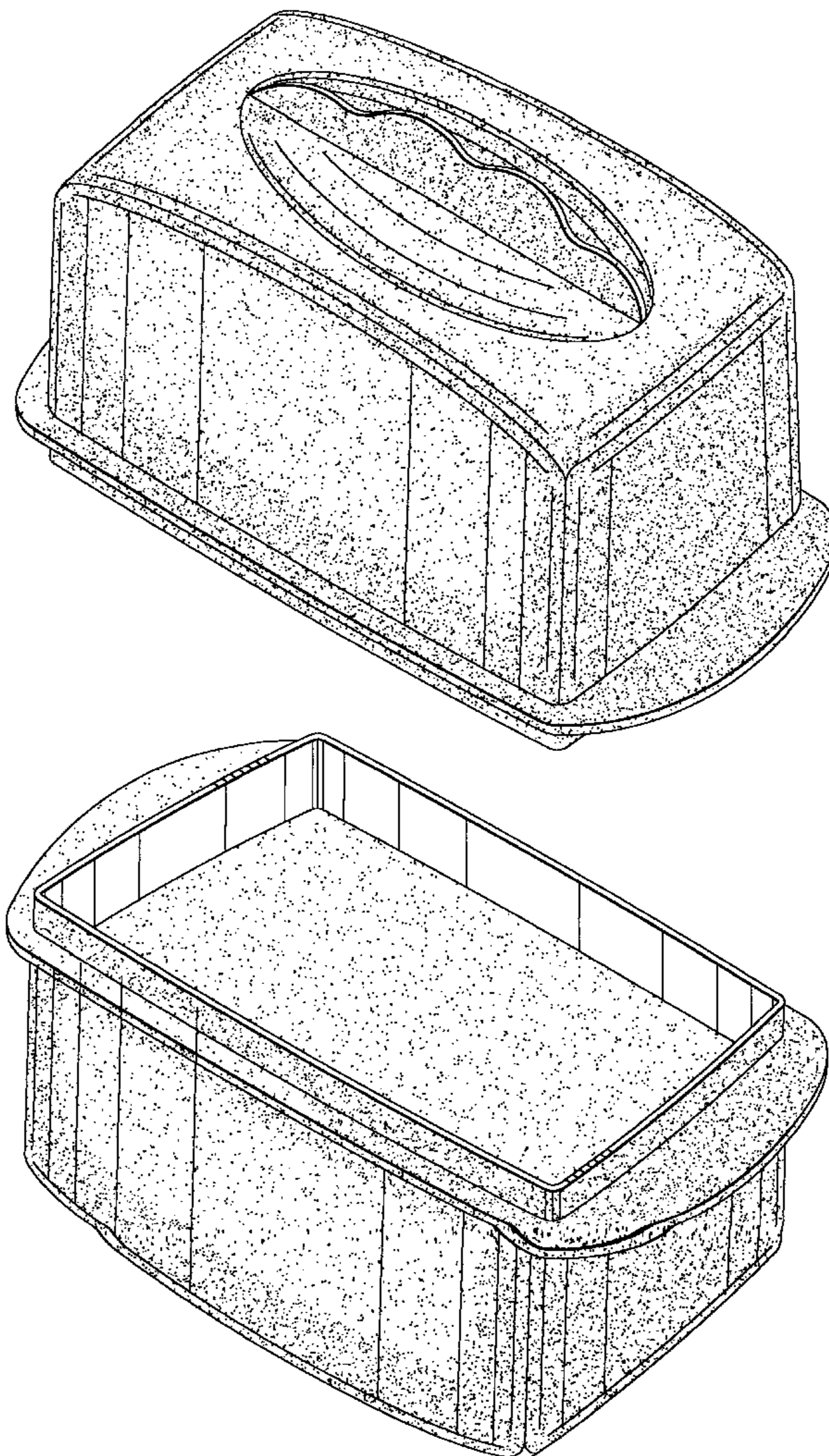
[57] **CLAIM**

The ornamental design for a covered tray, as shown and described.

DESCRIPTION

FIG. 1 is a top, side and front perspective view of a covered tray showing the new design;
FIG. 2 is a bottom, side and rear perspective view thereof;
FIG. 3 is a right side elevational view thereof;
FIG. 4 is a left side elevational view thereof;
FIG. 5 is a front elevational view thereof;
FIG. 6 is a rear elevational view thereof;
FIG. 7 is a top plan view thereof; and,
FIG. 8 is a bottom plan view thereof.

1 Claim, 3 Drawing Sheets



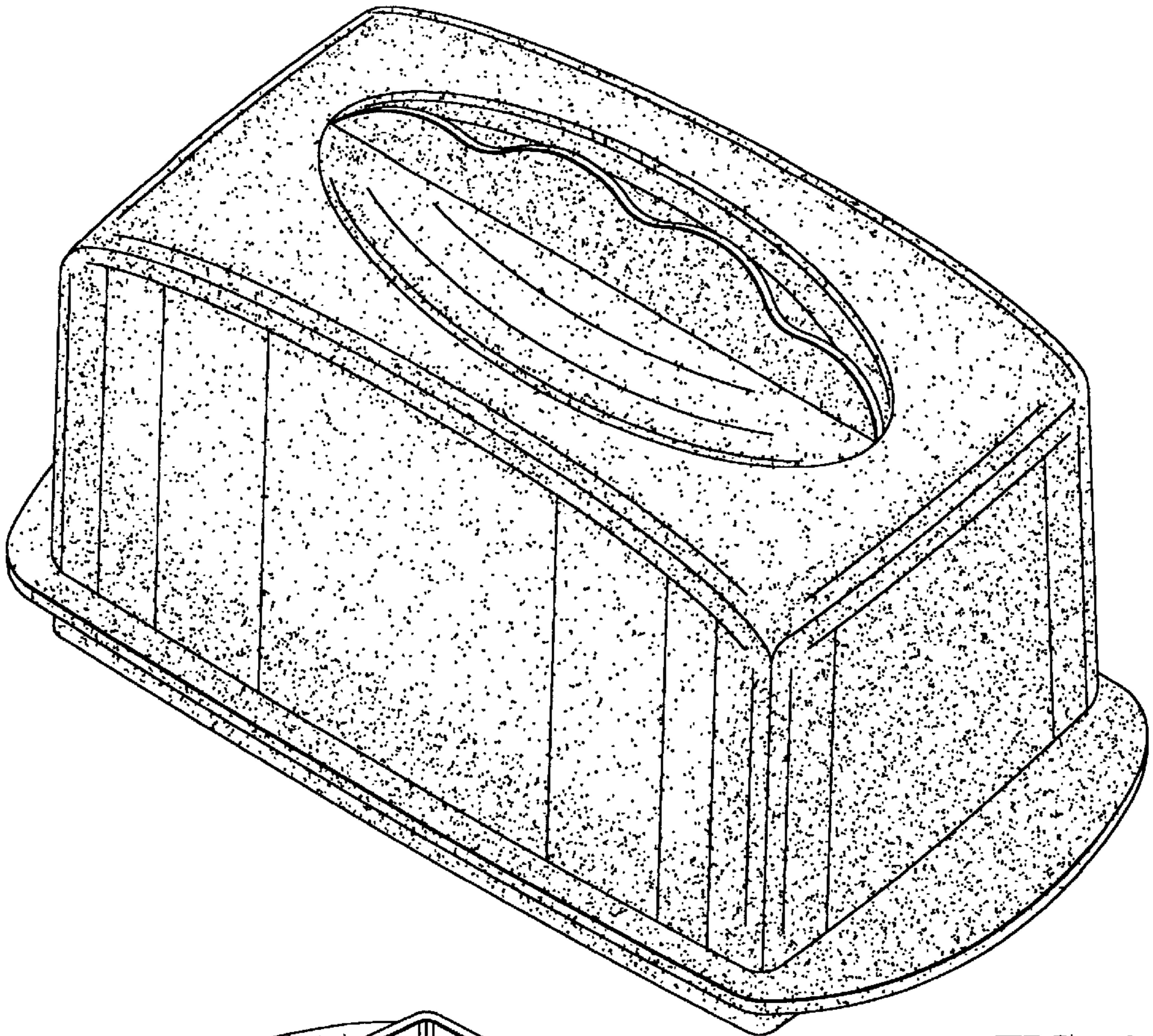


FIG. 1

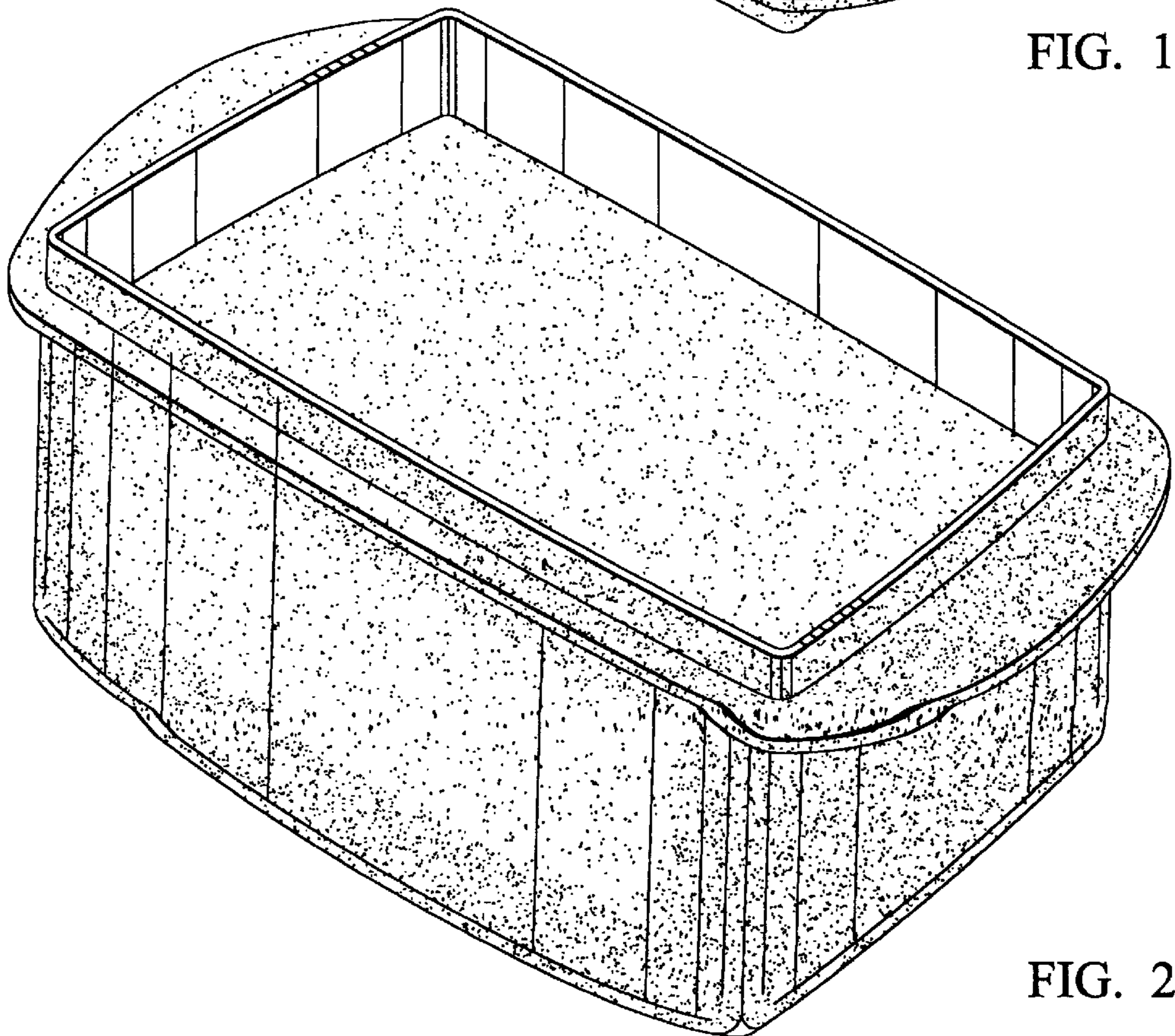


FIG. 2

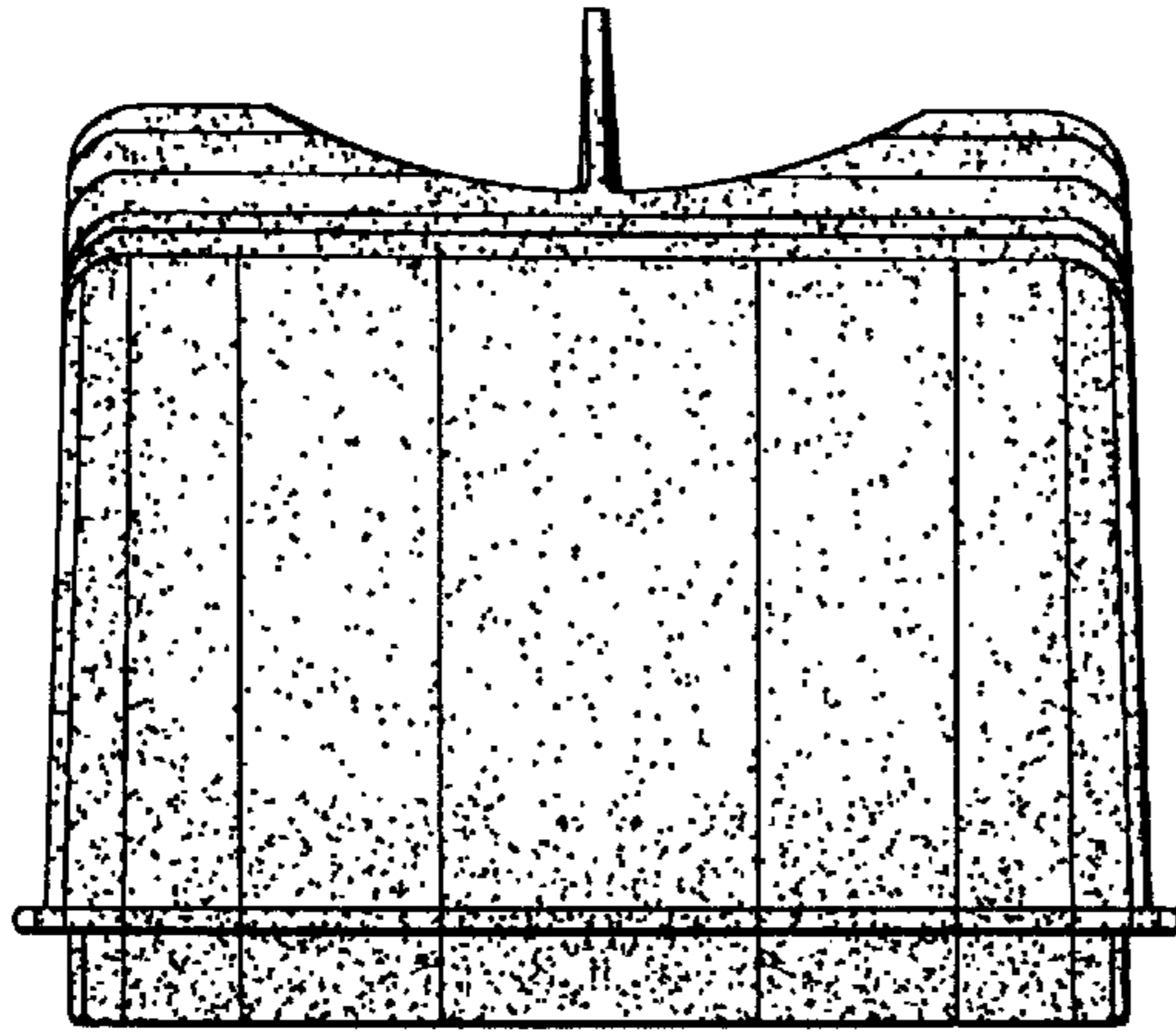


FIG. 3

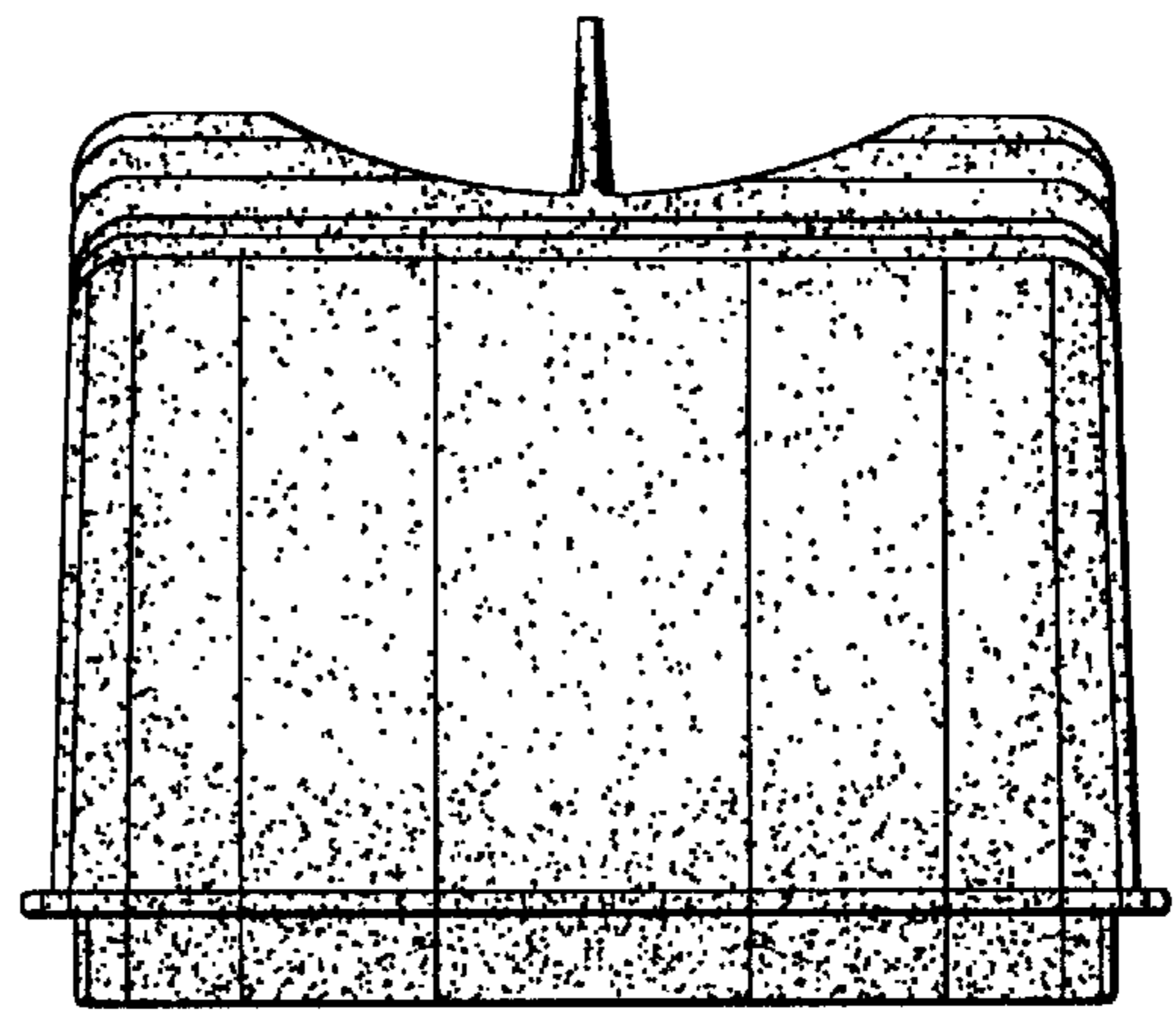


FIG. 4

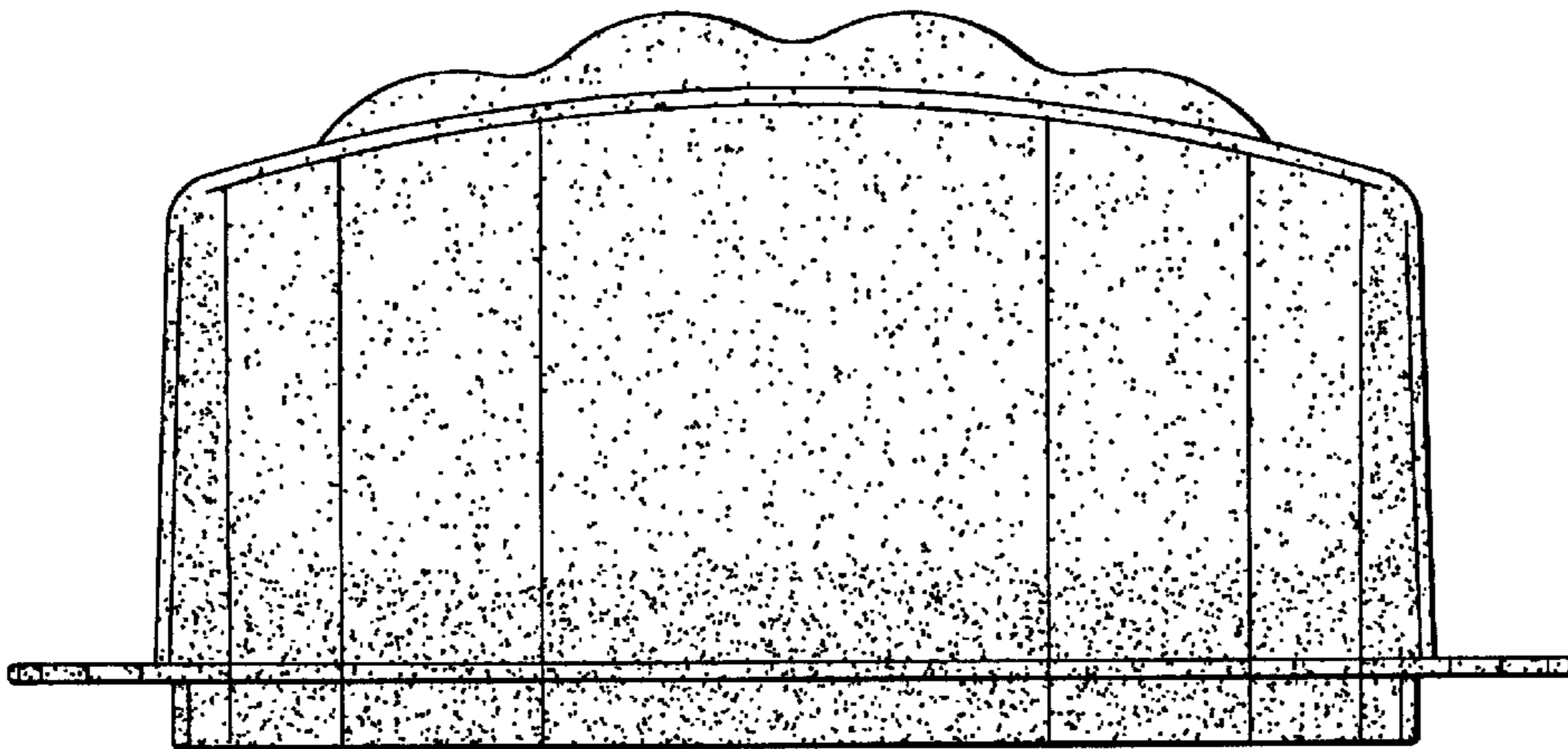


FIG. 5

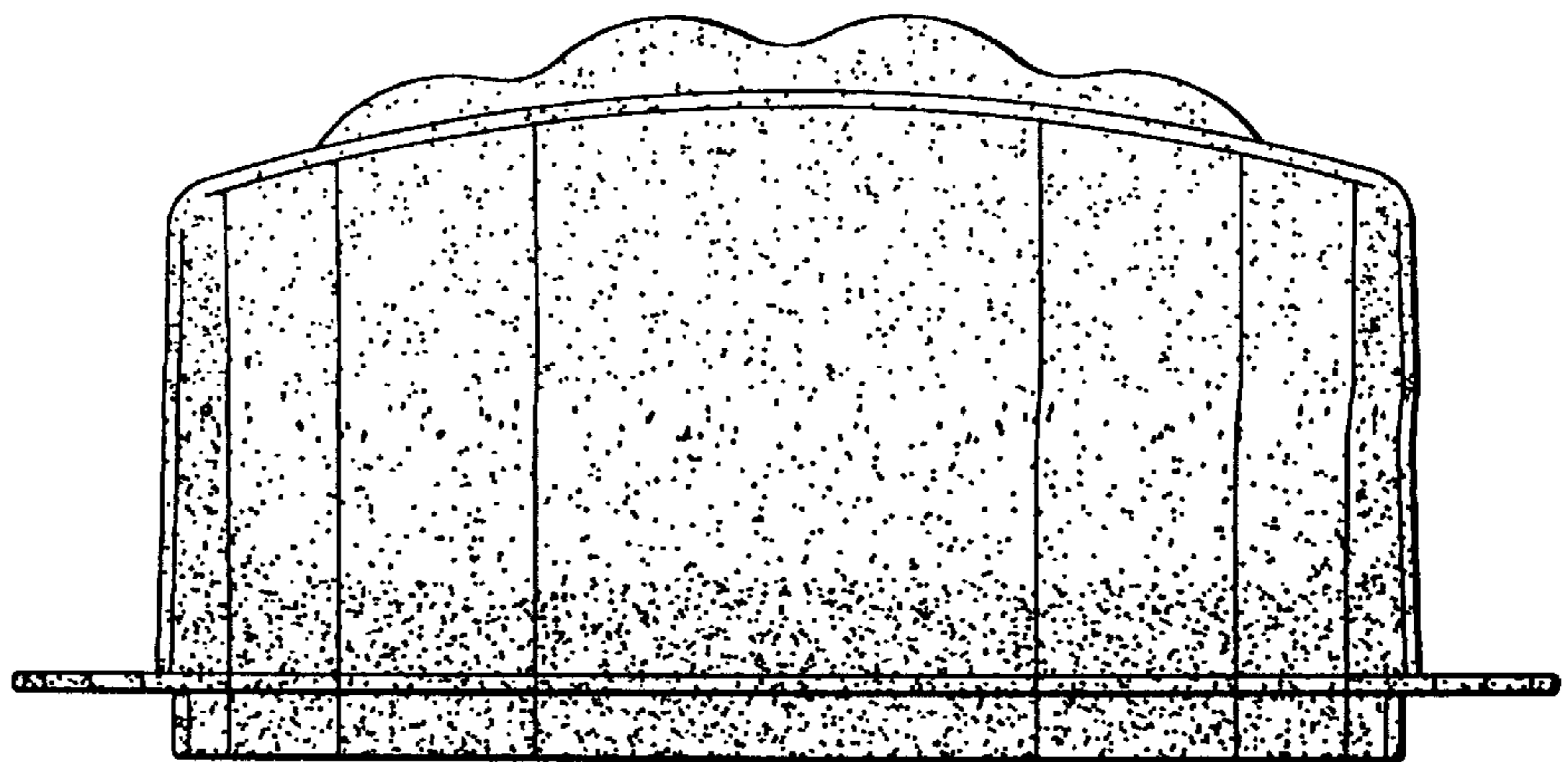


FIG. 6

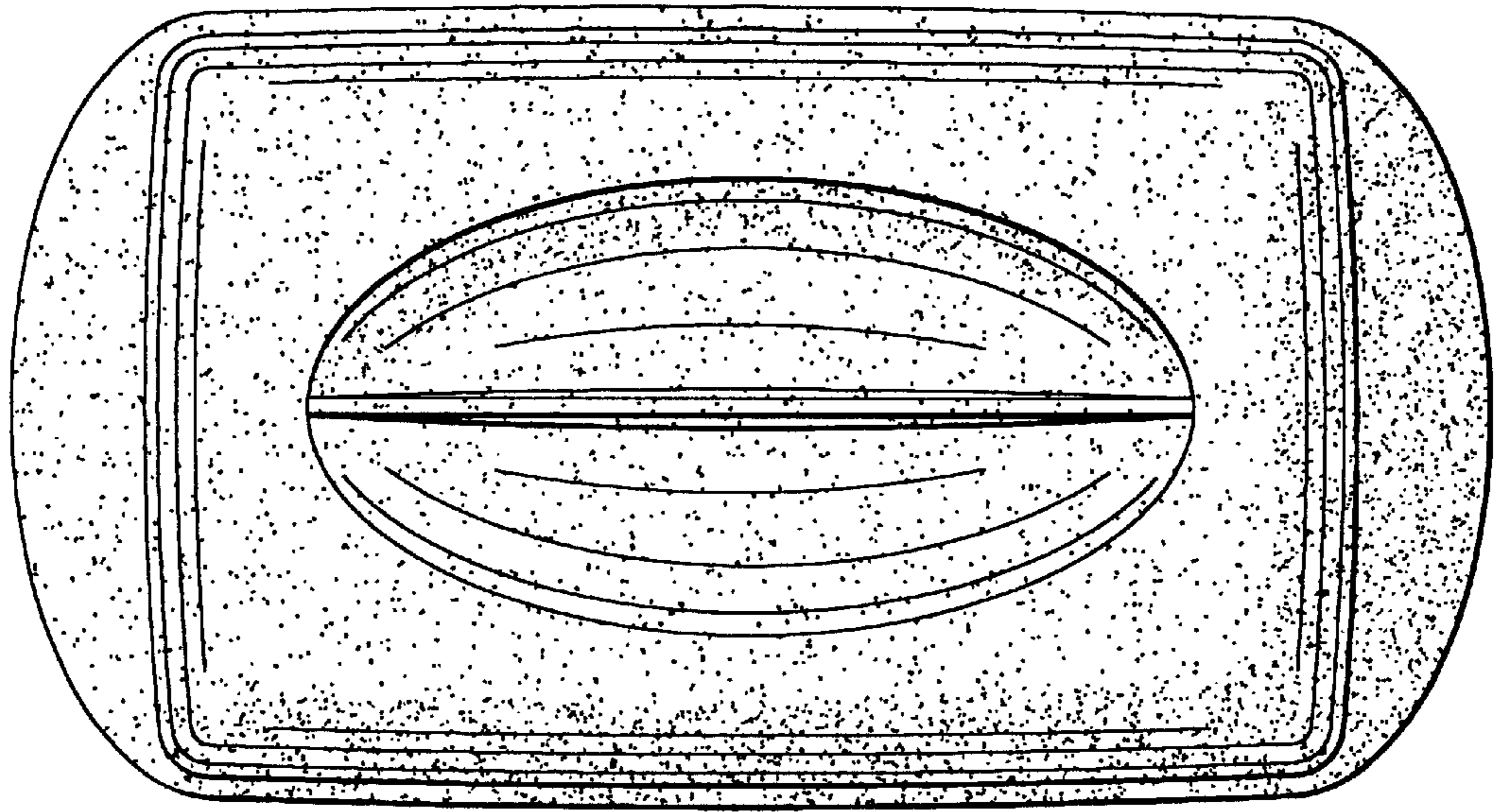


FIG. 7

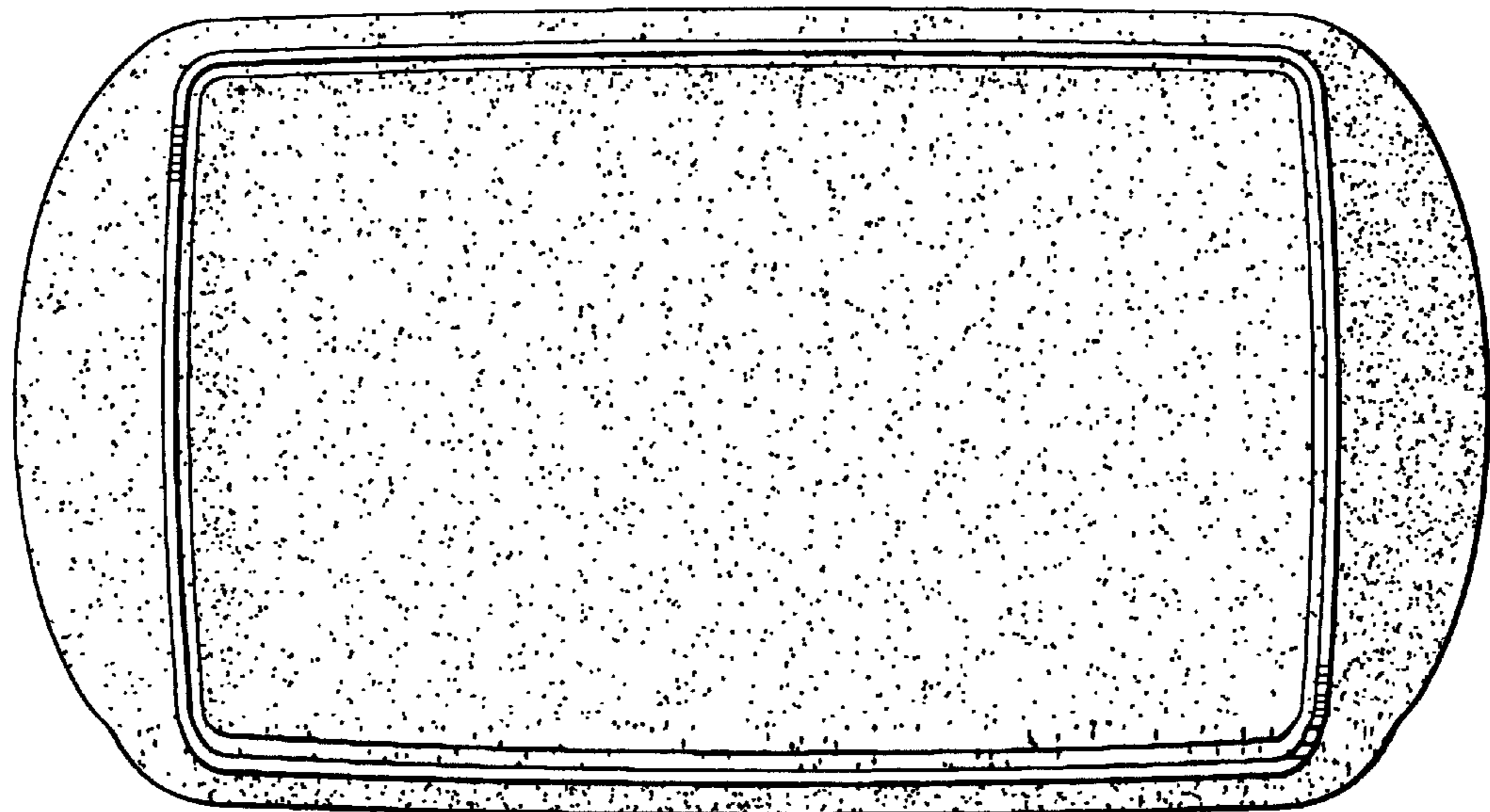


FIG. 8