



US00D418369S

United States Patent [19] Bailey

[11] **Patent Number: Des. 418,369**
[45] **Date of Patent: ** Jan. 4, 2000**

[54] **WATER DISPENSING BOTTLE**

D. 408,623 4/1999 Shaanan et al. D3/202
D. 409,371 5/1999 Adams D3/202

[76] Inventor: **John L Bailey**, 3708 W. 21st Ave.,
Gary, Ind. 46404

Primary Examiner—M. M. Pandozzi

[**] Term: **14 Years**

[57] CLAIM

[21] Appl. No.: **29/106,528**

The ornamental design for a water dispensing bottle, as shown.

[22] Filed: **Jun. 17, 1999**

DESCRIPTION

[51] **LOC (7) Cl.** **07-01**

[52] **U.S. Cl.** **D7/510; D3/202**

[58] **Field of Search** D7/510, 511, 507,
D7/509, 622, 623; D3/202; 220/709; 218/229,
388; D9/522; 224/148.1

FIG. 1 is a front elevational view of the water dispensing bottle of the present invention;

FIG. 2 is a rear elevational view of the water dispensing bottle of FIG. 1;

FIG. 3 is a left side elevational view of the water dispensing bottle of FIG. 1;

FIG. 4 is a bottom plan view of the water dispensing bottle of FIG. 1;

FIG. 5 is a top plan view of the water dispensing bottle of FIG. 1; and,

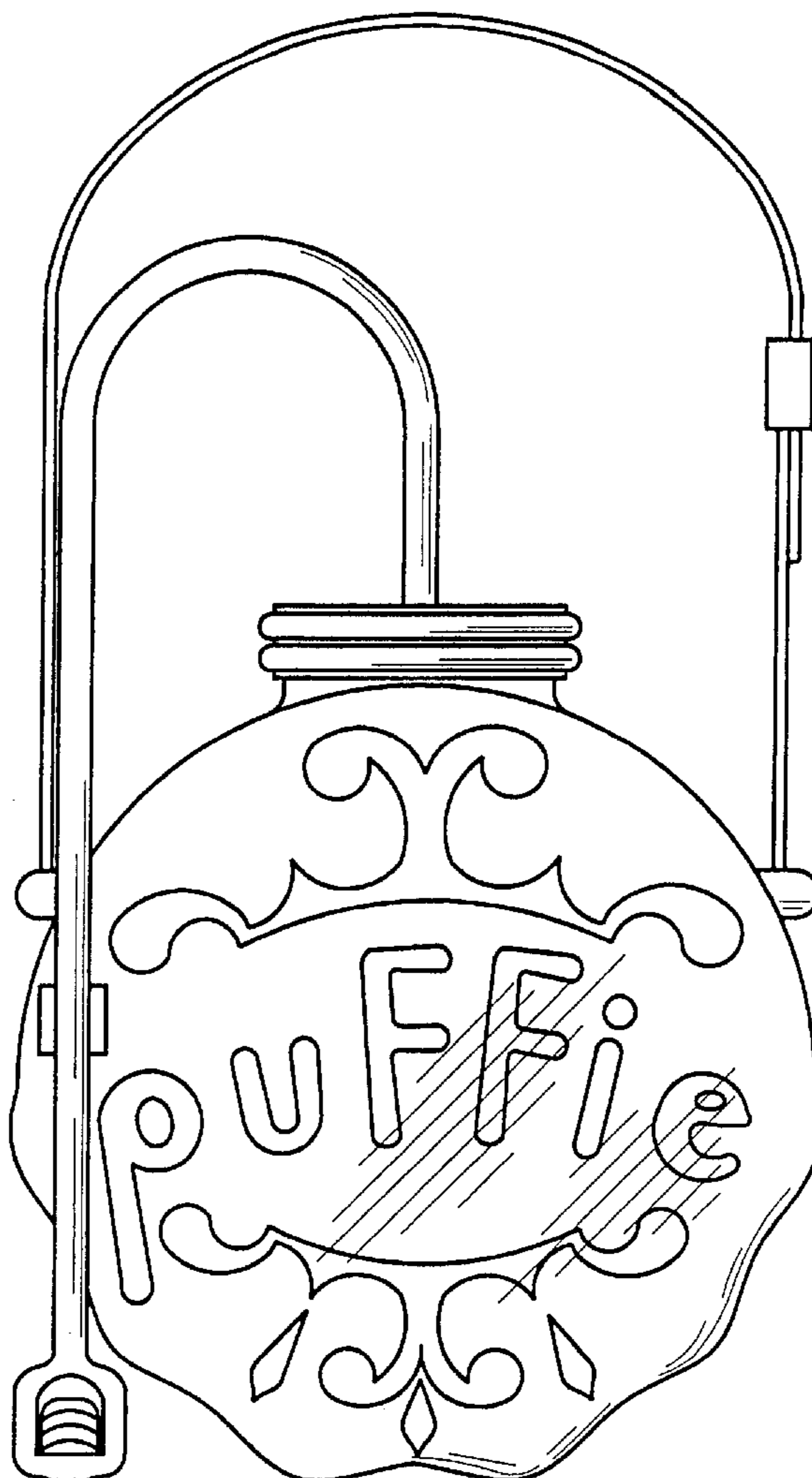
FIG. 6 is a right side elevatioanl view of the water dispensing bottle of FIG. 1.

[56] References Cited

U.S. PATENT DOCUMENTS

D. 50,182	1/1917	Boyle, Sr.	D9/522
D. 135,616	5/1943	Karoff	D9/522
D. 187,245	2/1960	Thompson, Jr.	D9/522
D. 329,326	9/1992	Sheehy et al.	D3/202
D. 408,622	4/1999	Fletcher	D7/510

1 Claim, 2 Drawing Sheets



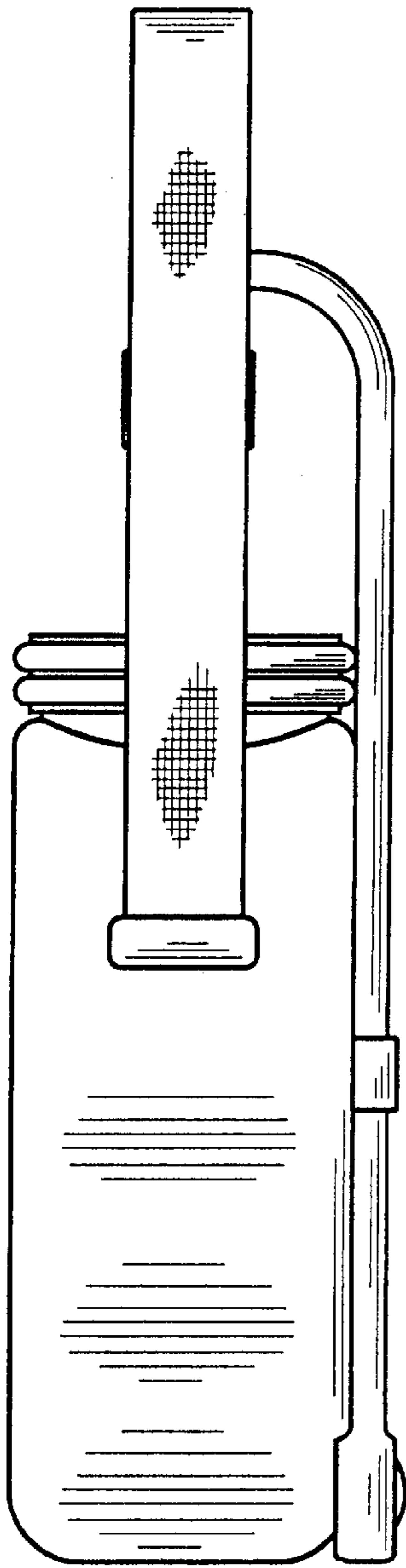


FIG. 3

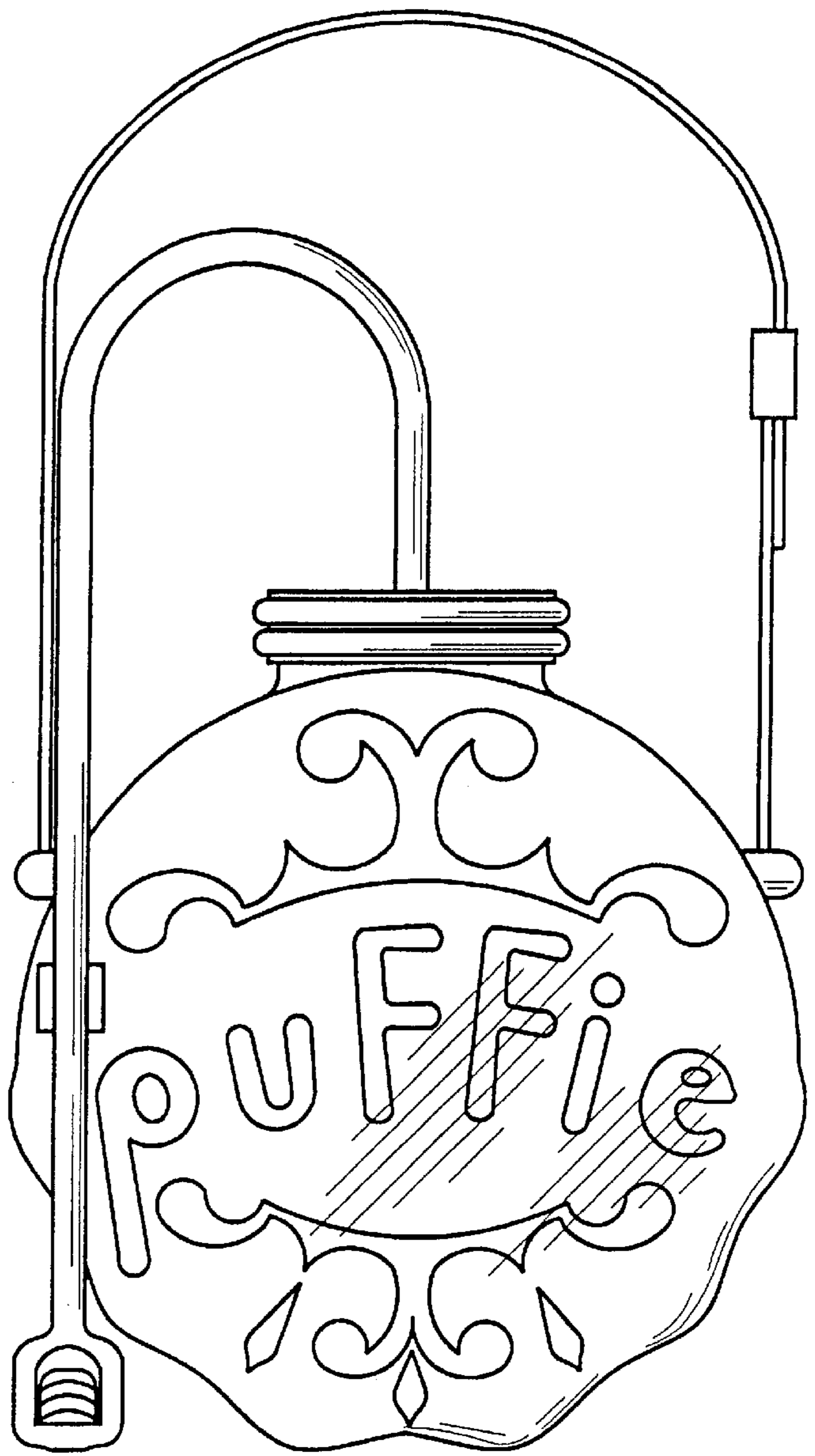


FIG. 1

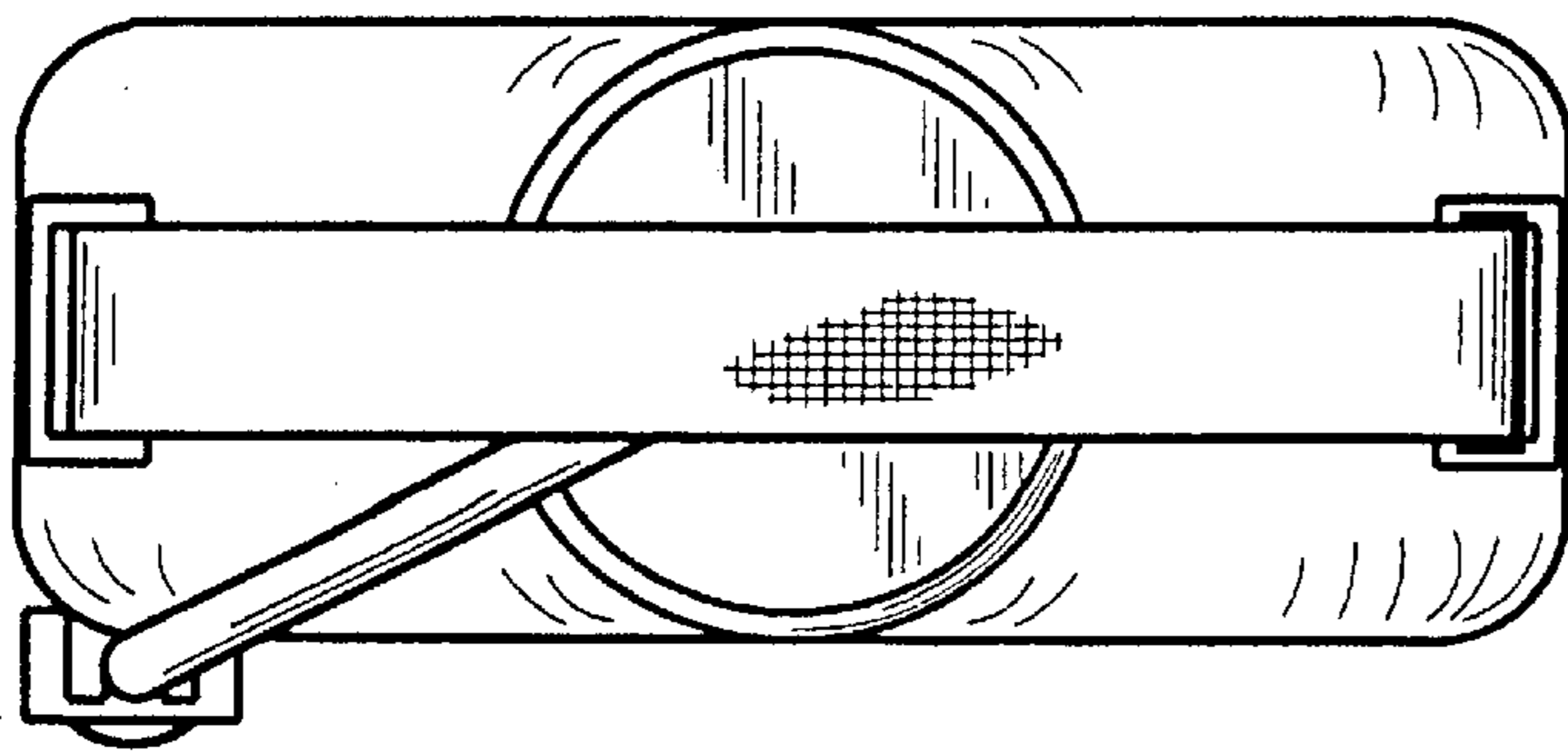


FIG. 5

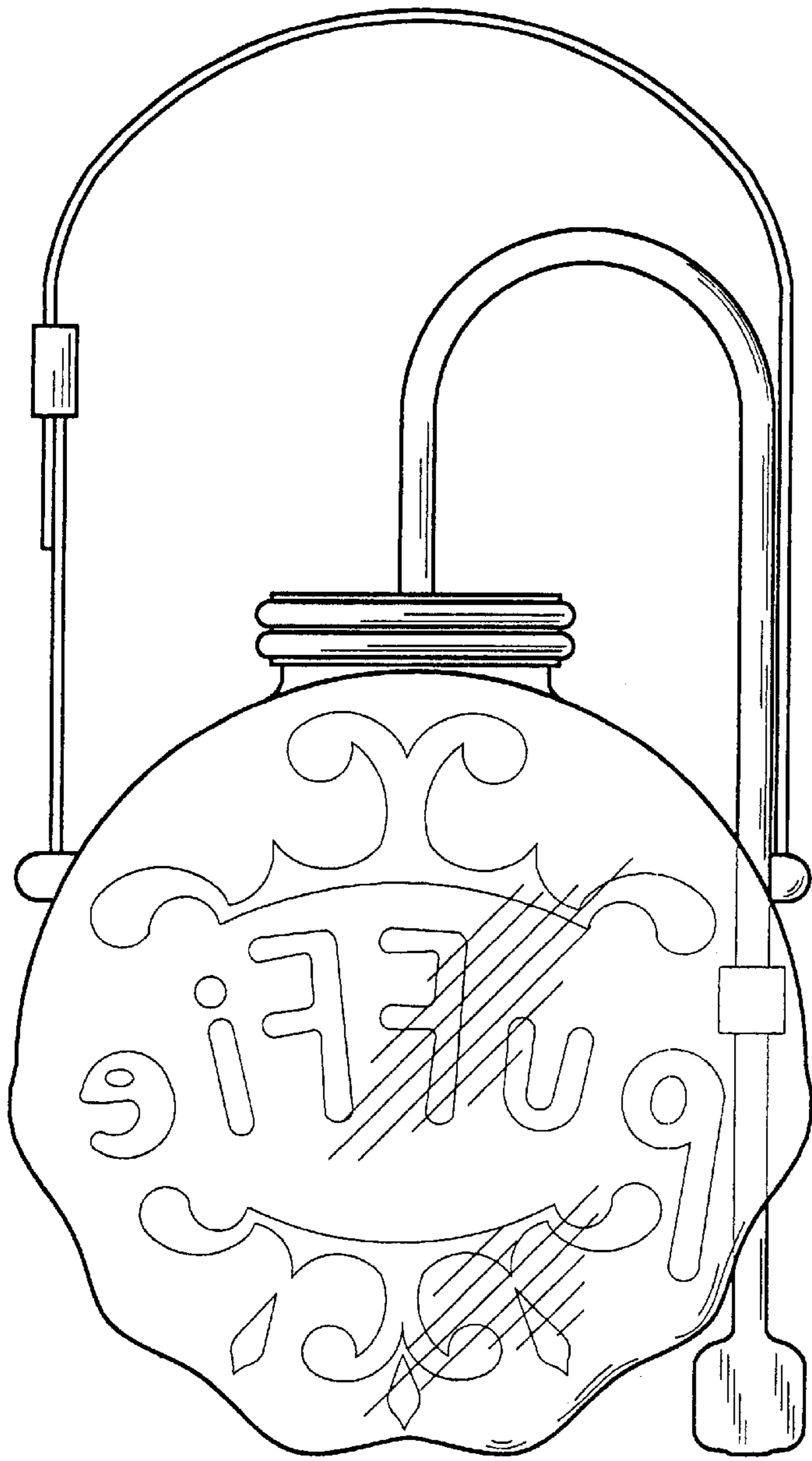


FIG. 2

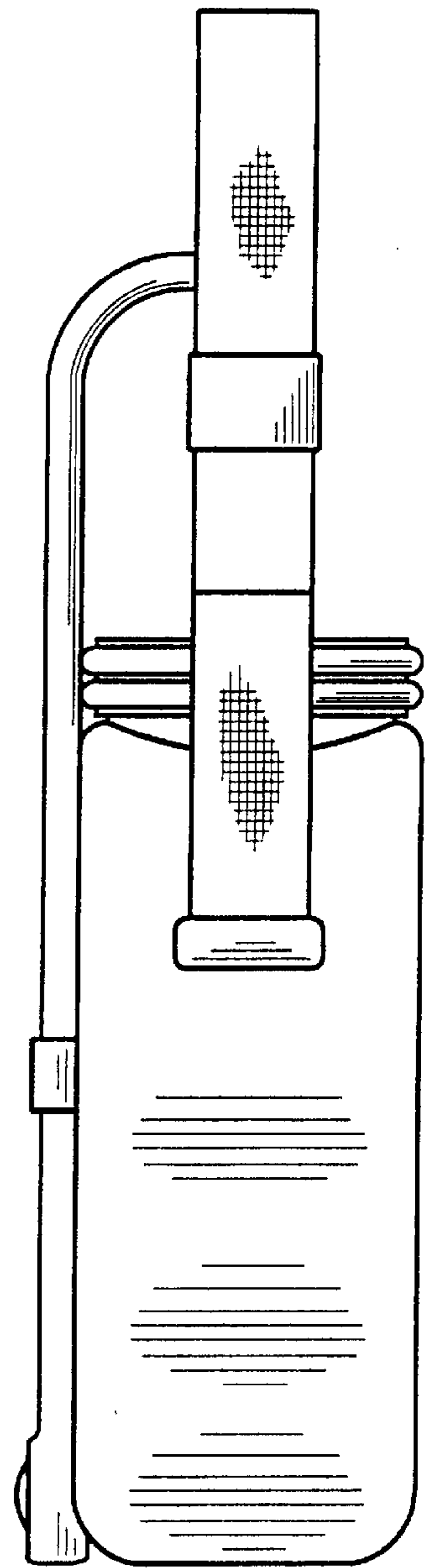


FIG. 6

FIG. 4

