



US00D418366S

# United States Patent [19] King

[11] Patent Number: **Des. 418,366**  
[45] Date of Patent: **\*\* Jan. 4, 2000**

[54] **FRYER LIFTING LID**  
[75] Inventor: **James D. King**, Kettering, Ohio  
[73] Assignee: **Henny Penny Corporation**, Eaton, Ohio  
[\*\*] Term: **14 Years**  
[21] Appl. No.: **29/069,294**  
[22] Filed: **Mar. 25, 1997**  
[51] **LOC (7) Cl.** ..... **07-02**  
[52] **U.S. Cl.** ..... **D7/402; D7/339**  
[58] **Field of Search** ..... **D7/339, 347, 402; 99/403, 407, 408, 410, 415, 336; 220/318, 316**

3,563,158 2/1971 Omer .  
3,608,473 9/1971 Kearn et al. .  
3,690,246 9/1972 Guthrie, Sr. .  
3,701,313 10/1972 Boggs .  
3,821,925 7/1974 Moore .  
3,958,503 5/1976 Moore .  
4,287,818 9/1981 Moore et al. .  
4,325,491 4/1982 Barnhill ..... 220/316  
4,437,159 3/1984 Waugh .  
4,508,026 4/1985 Anetsberger et al. .  
4,663,710 5/1987 Waugh et al. .  
4,721,094 1/1988 Nett .  
4,742,455 5/1988 Schreyer .  
4,848,318 7/1989 Brewer .  
4,913,038 4/1990 Burkett et al. .  
4,930,408 6/1990 King et al. .  
4,997,101 3/1991 King et al. .... 220/318  
5,033,368 7/1991 Brewer .  
5,402,712 4/1995 King et al. .

[56] **References Cited**

**U.S. PATENT DOCUMENTS**

D. 180,431 6/1957 Wagner ..... D7/339  
D. 215,383 9/1969 Moore et al. .... D7/339  
D. 218,498 8/1970 Wilson et al. .... D7/347  
D. 263,305 3/1982 Barnhill ..... D7/347  
D. 335,420 5/1993 Moore ..... D7/339  
D. 336,007 6/1993 King et al. .  
D. 337,021 7/1993 Boetto et al. .... D7/339  
D. 351,966 11/1994 King ..... D7/339  
1,506,113 8/1924 Dearing .  
1,551,869 10/1925 Dearing .  
2,875,682 3/1959 Smoot et al. .  
3,187,664 6/1965 Jennings .  
3,242,849 3/1966 Wells .  
3,273,488 9/1966 Anetsberger .  
3,501,316 3/1970 Guthrie, Sr. .

*Primary Examiner*—Ruth McInroy  
*Attorney, Agent, or Firm*—Baker & Botts, L.L.P.

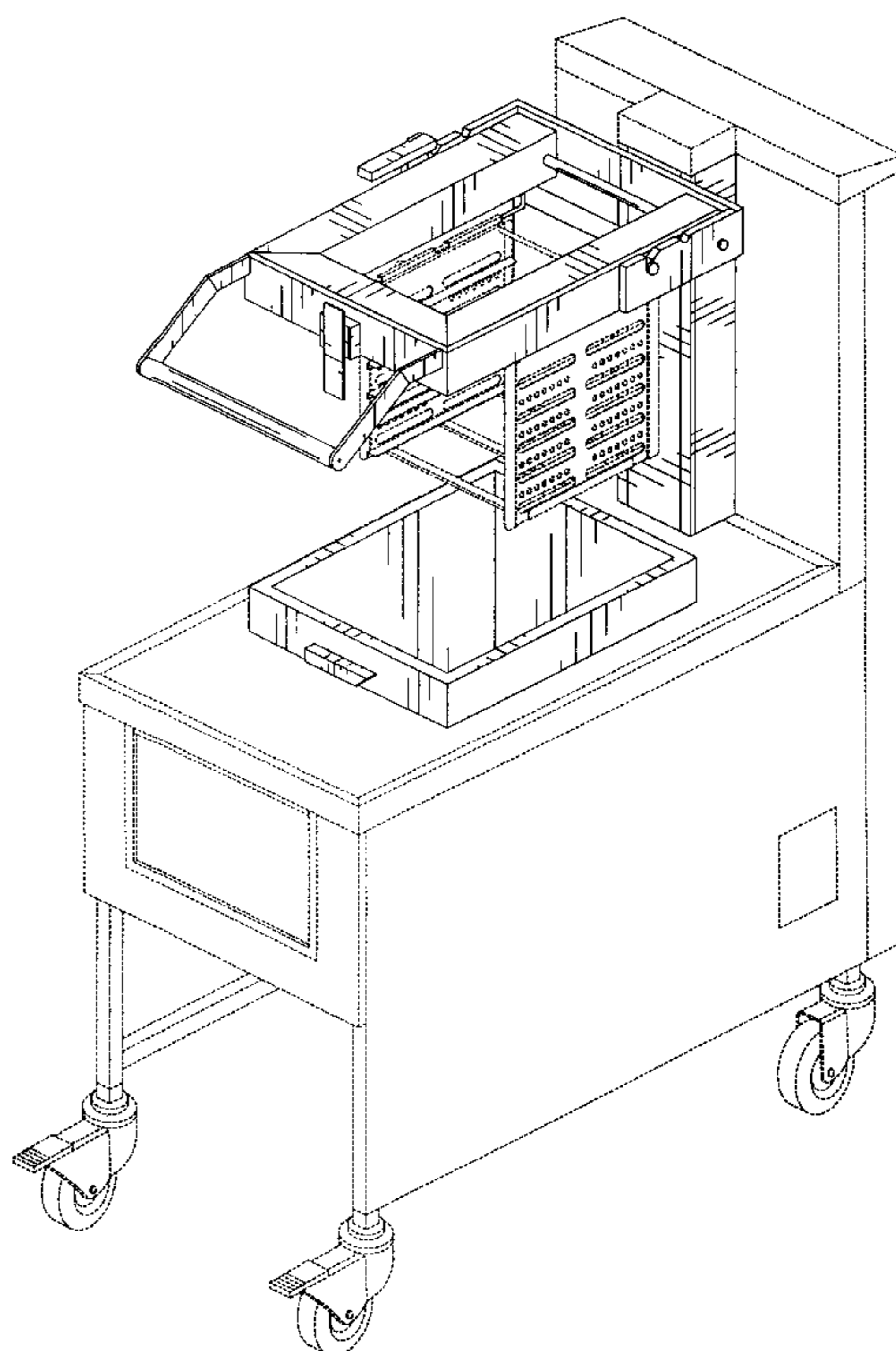
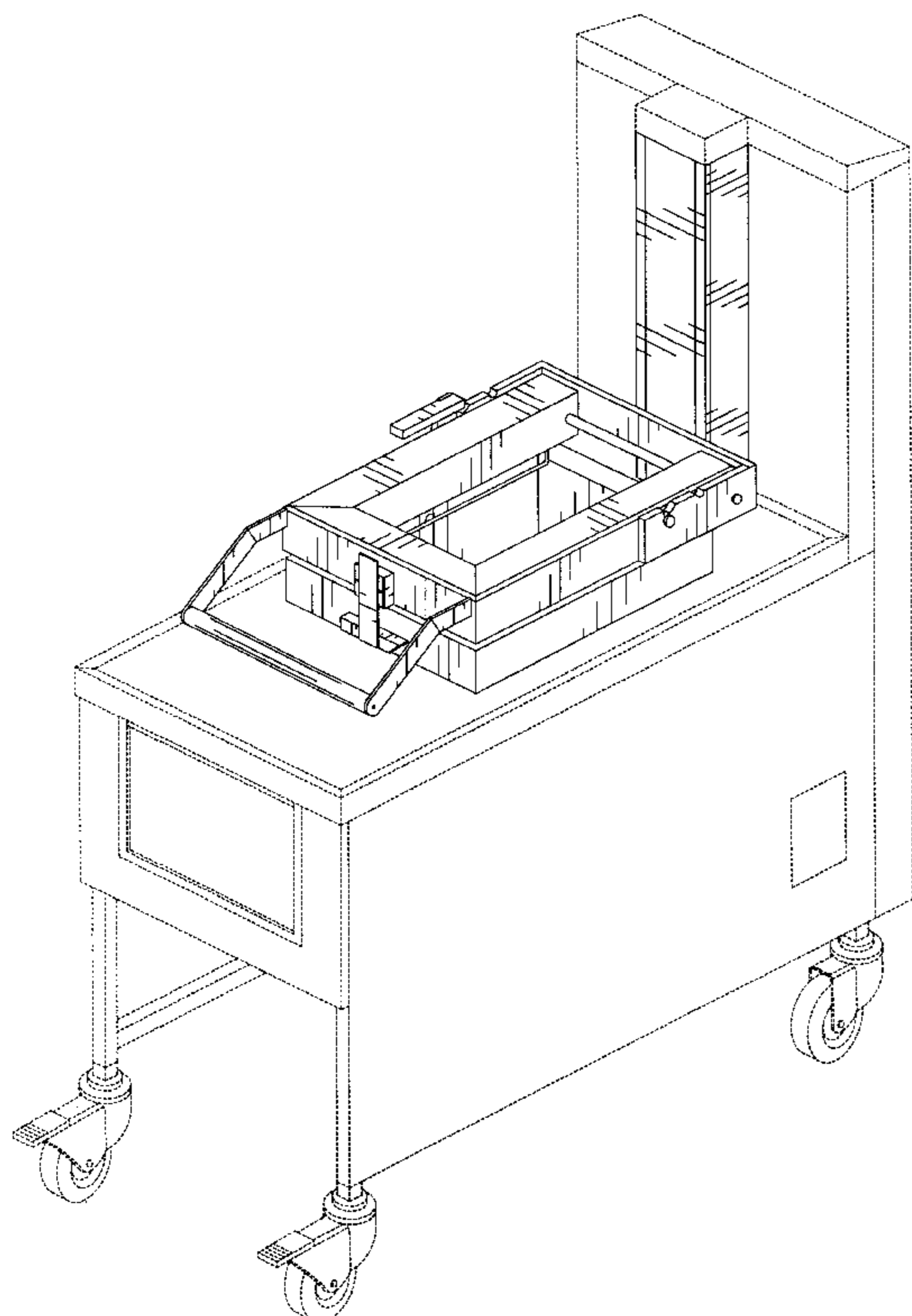
[57] **CLAIM**

The ornamental design for a fryer lifting lid, as shown and described.

**DESCRIPTION**

FIG. 1 is a perspective view of a fryer lifting lid in a lowered position, showing my new design; FIG. 2 is a right side view thereof; FIG. 3 is a left side view thereof; FIG. 4 is a front view thereof; FIG. 5 is a top plan thereof; and, FIG. 6 is a perspective view thereof in a raised position.

**1 Claim, 6 Drawing Sheets**



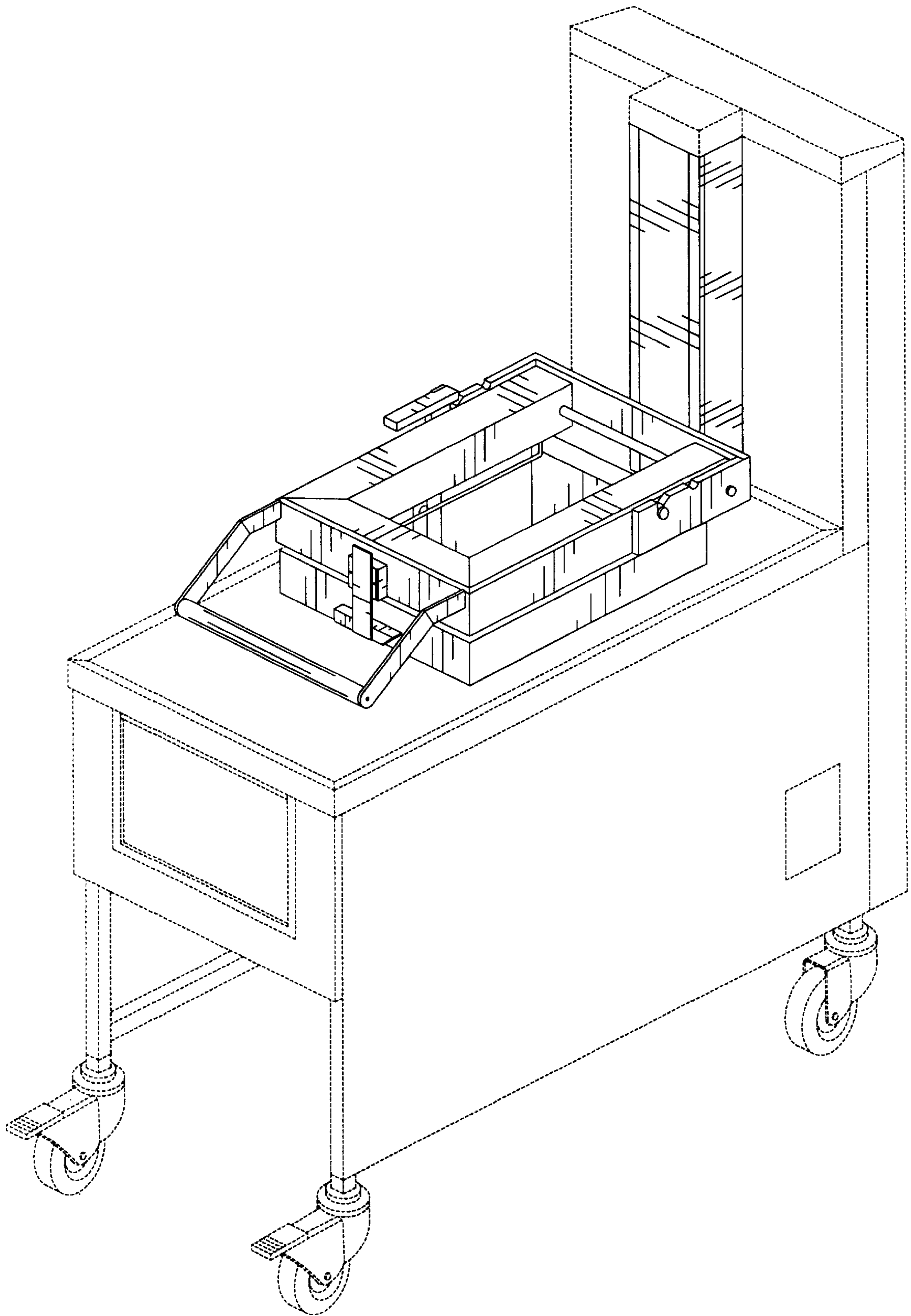


FIG. 1

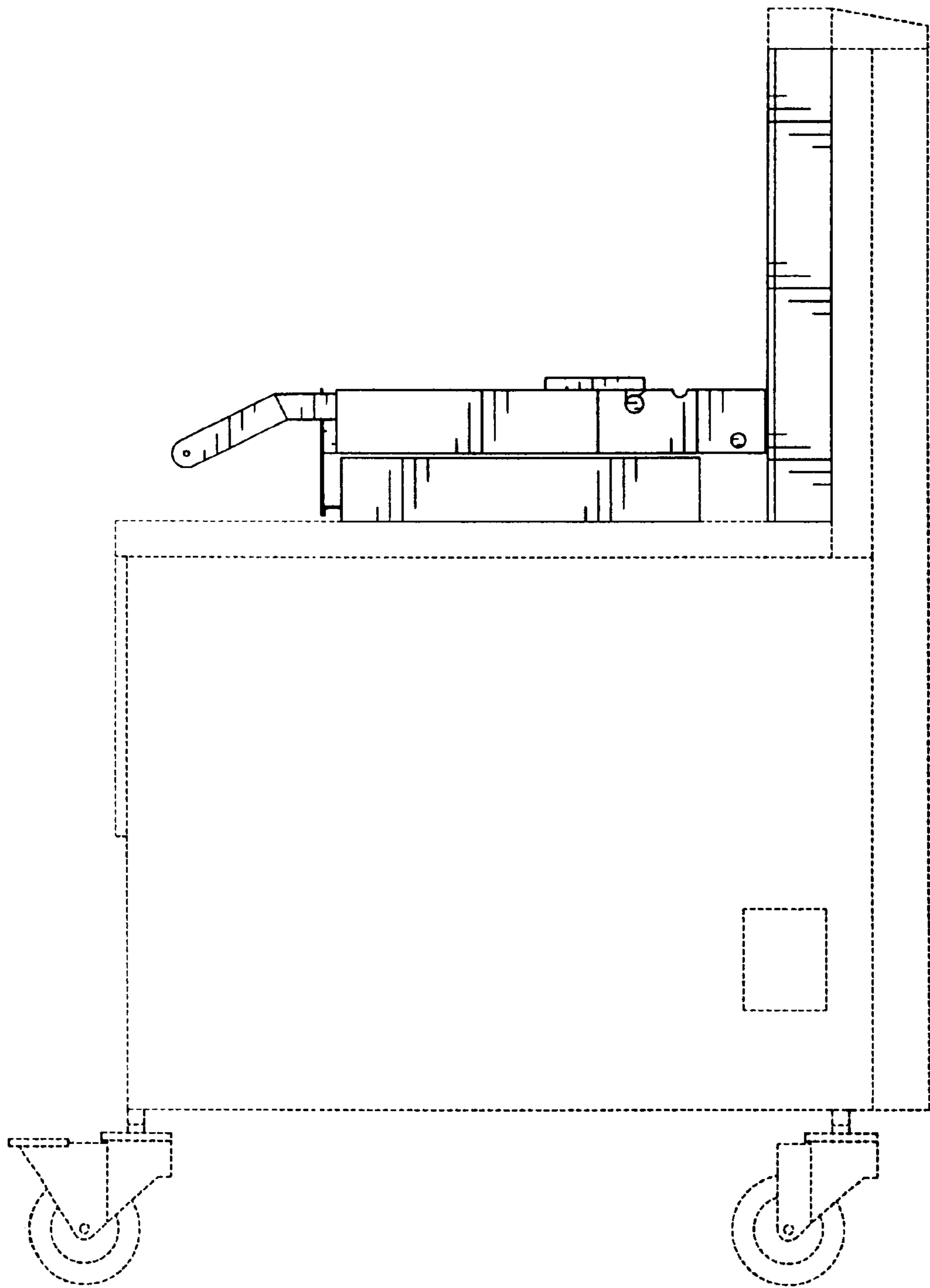


FIG. 2

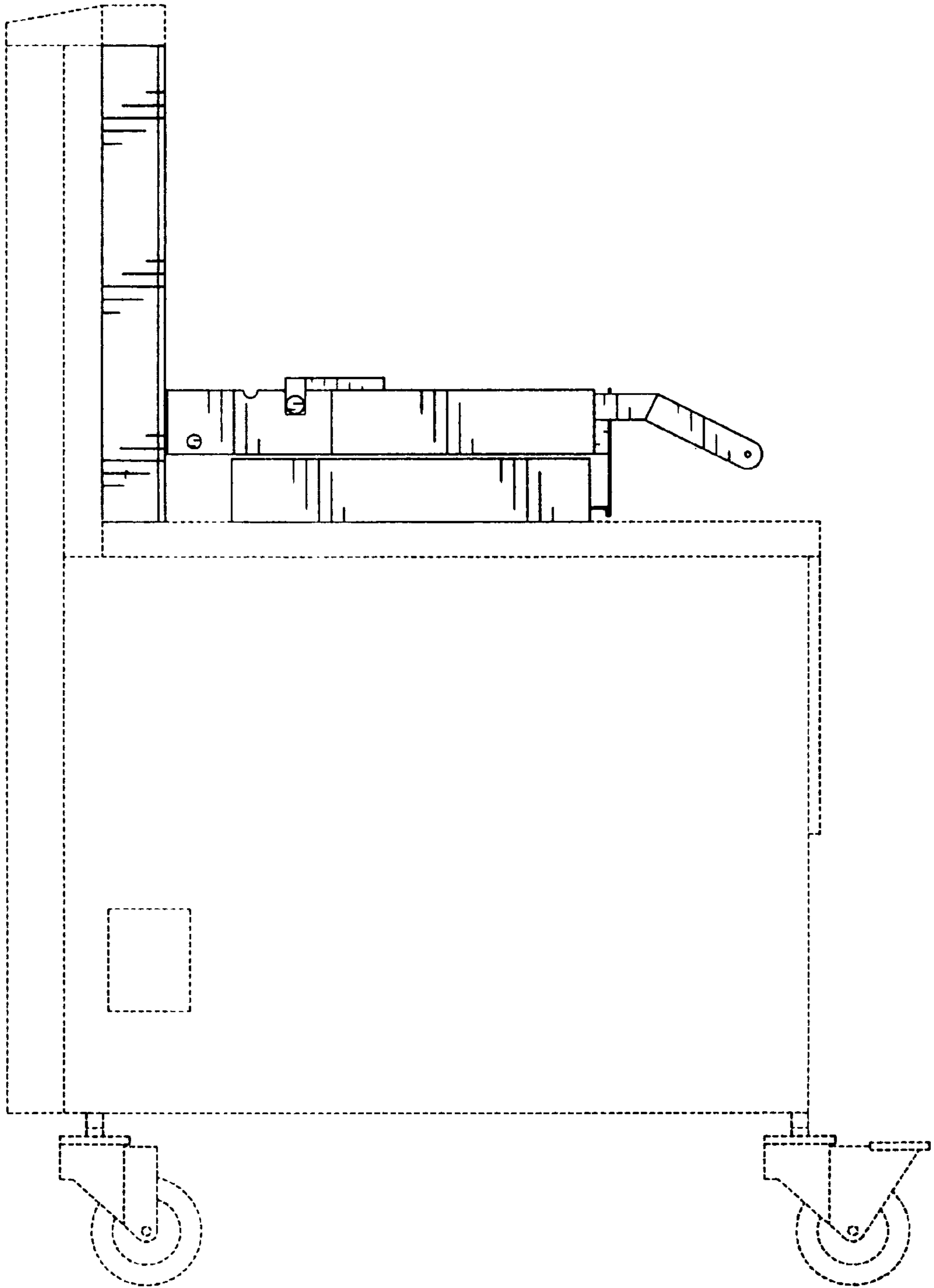


FIG. 3

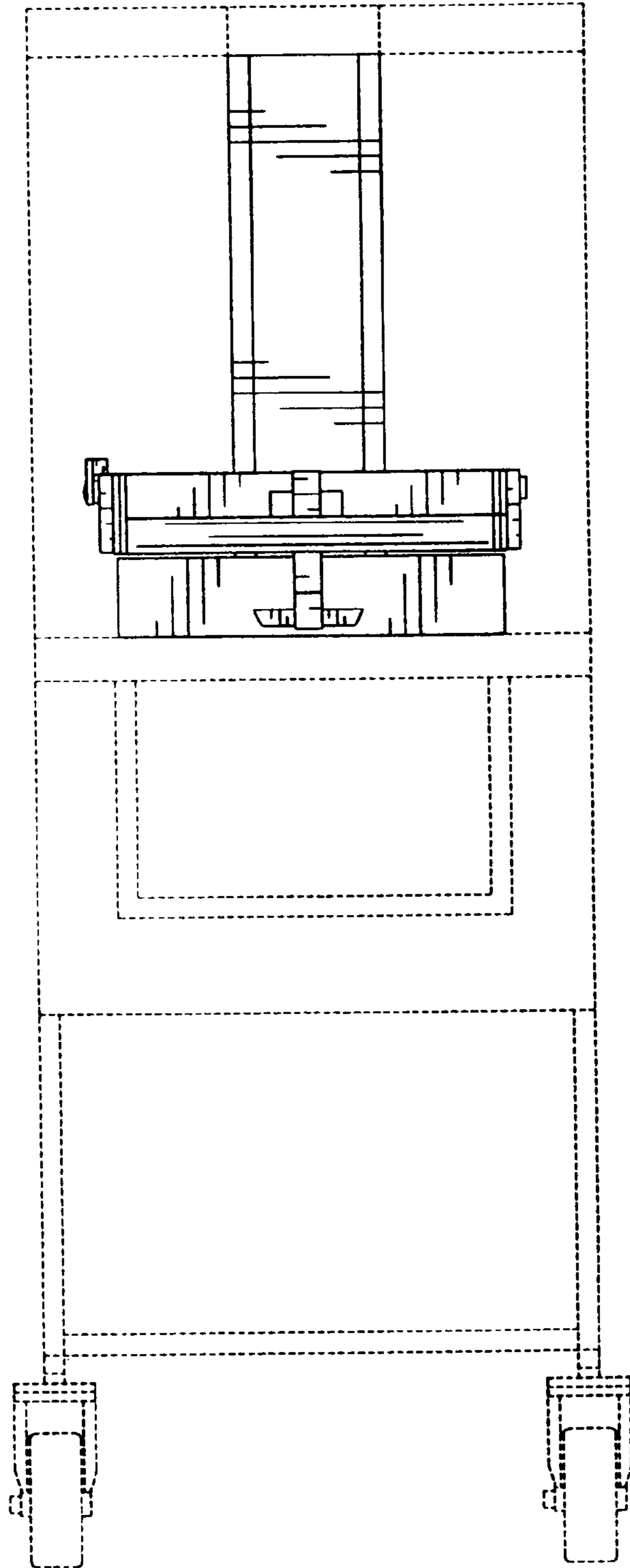


FIG. 4

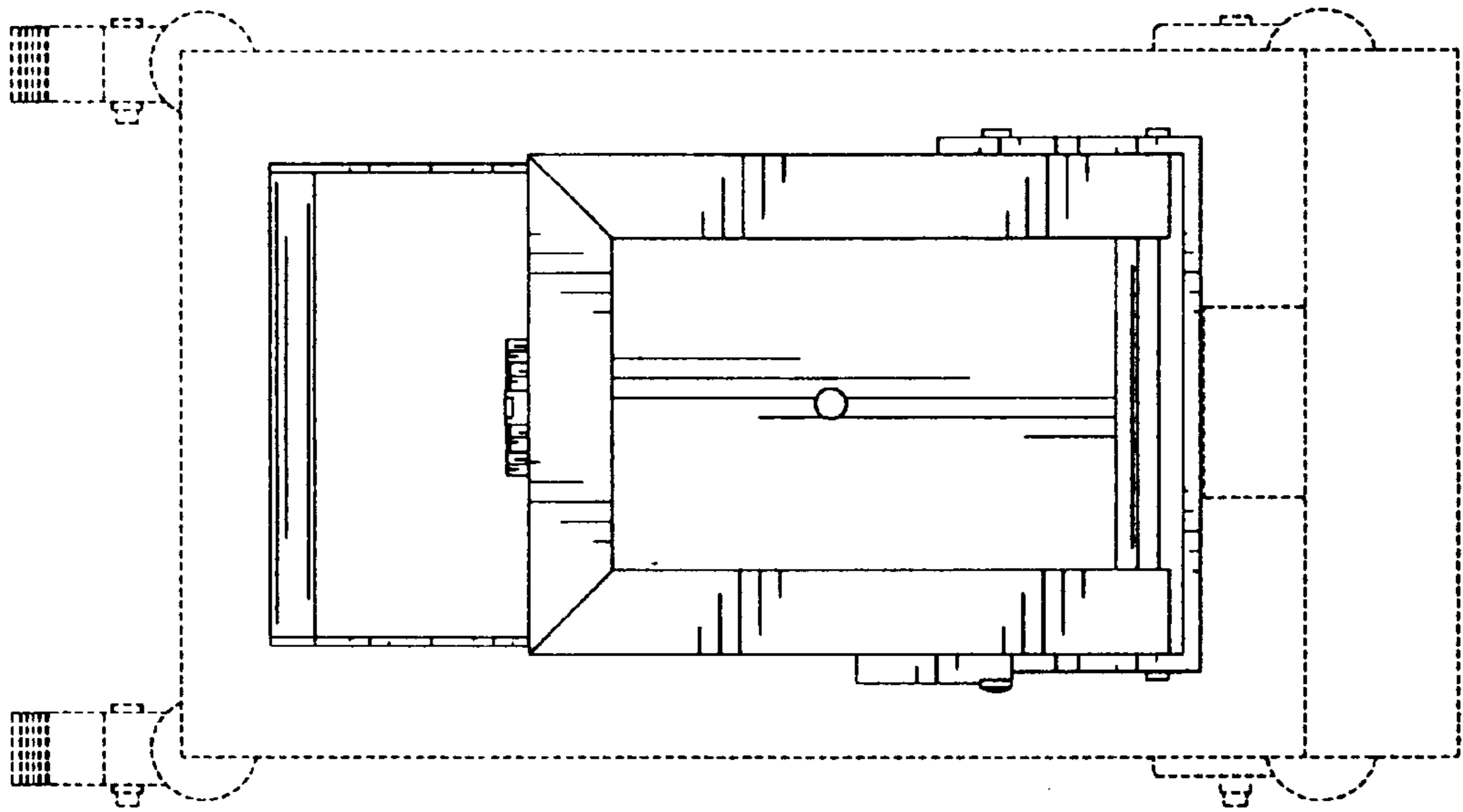


FIG. 5

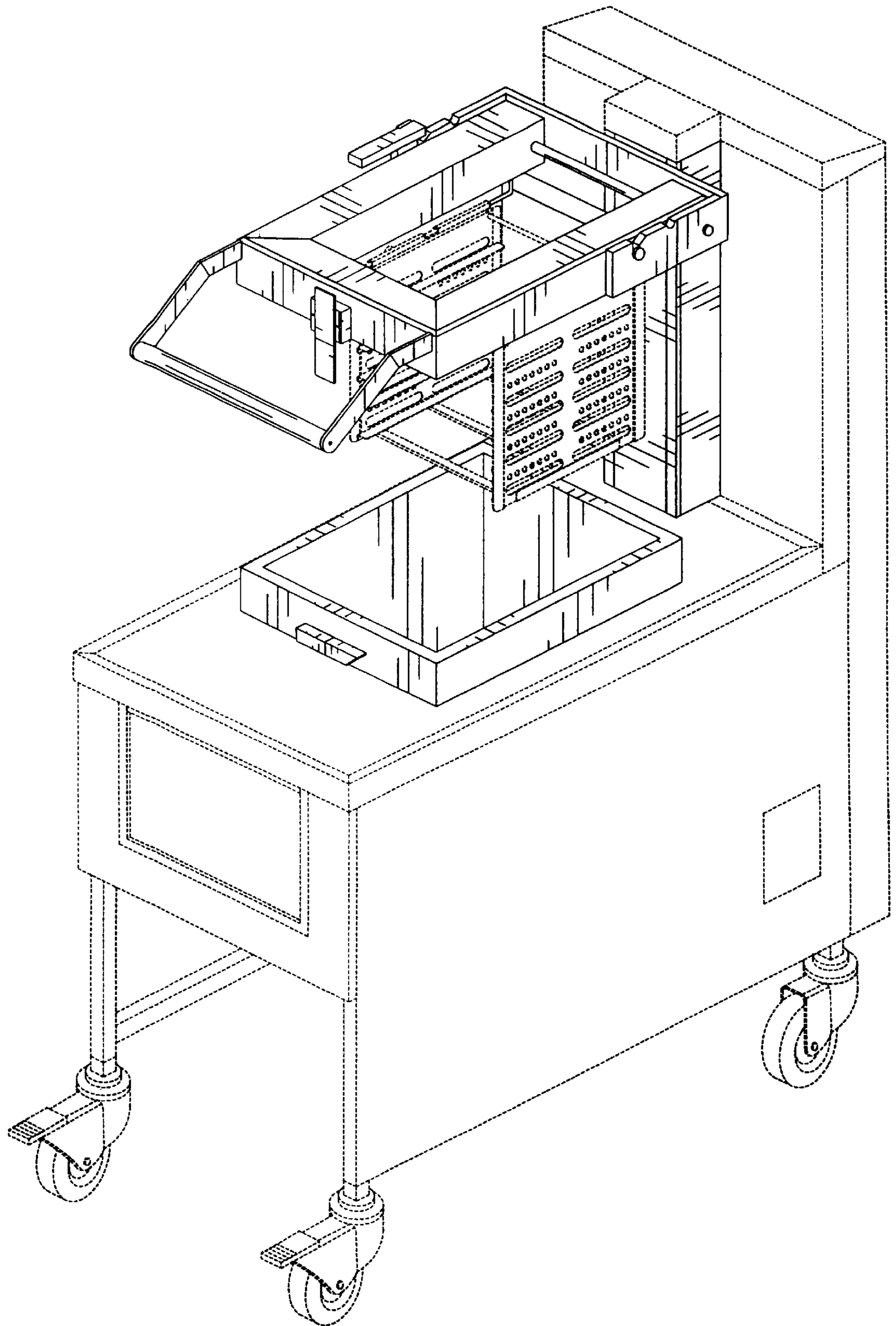


FIG. 6