



US00D418363S

United States Patent [19]

[11] **Patent Number: Des. 418,363**

Barnes et al.

[45] **Date of Patent: ** Jan. 4, 2000**

[54] **BEVERAGE CUP LID**

5,203,467 4/1993 Tucker .
5,601,213 2/1997 Daniello 222/480 X

[75] Inventors: **Gretchen Barnes**, San Francisco, Calif.; **Elisha Tal**, Macabin, Israel

Primary Examiner—Cathron B. Matta
Attorney, Agent, or Firm—Fitzpatrick, Cella, Harper & Scinto

[73] Assignee: **Pepsico, Inc.**, Purchase, N.Y.

[**] Term: **14 Years**

[57] CLAIM

[21] Appl. No.: **29/093,859**

The ornamental design for a beverage cup lid, as shown and described.

[22] Filed: **Sep. 18, 1998**

DESCRIPTION

[51] **LOC (7) Cl.** **07-01**

FIG. 1 is a perspective view of a beverage cup lid showing our new design;

[52] **U.S. Cl.** **D7/392; D9/447; D9/449; D7/396.2**

FIG. 2 is a top plan view thereof;

[58] **Field of Search** D7/391, 392, 392.1, D7/510, 511, 602, 629, 397, 398, 396.2; D9/447, 449; 215/387; 220/711, 713, 714, 715, 703; 222/480, 566; 229/906.1

FIG. 3 is a bottom view thereof;

FIG. 4 is a side elevational view thereof;

FIG. 5 is a side elevational view taken 180° from the view of FIG. 4;

FIG. 6 is another side elevational view taken at 90° from the view of FIG. 5;

[56] References Cited

U.S. PATENT DOCUMENTS

- D. 200,018 1/1965 Brocken .
- D. 331,537 12/1992 Tucker D9/447
- D. 348,176 6/1994 Sokolski et al. D7/602 X
- D. 377,737 2/1997 Kristnik D7/511
- D. 385,791 11/1997 Forsyth et al. D9/447
- D. 402,556 12/1998 Frye D9/447

FIG. 7 is a side elevational view taken 180° from the view opposite of FIG. 6; and,

FIG. 8 is a perspective similar to FIG. 1 with the lid seal in a raised position.

The broken line showing of a cup is for illustrative purposes only and forms no part of the claimed design.

1 Claim, 5 Drawing Sheets

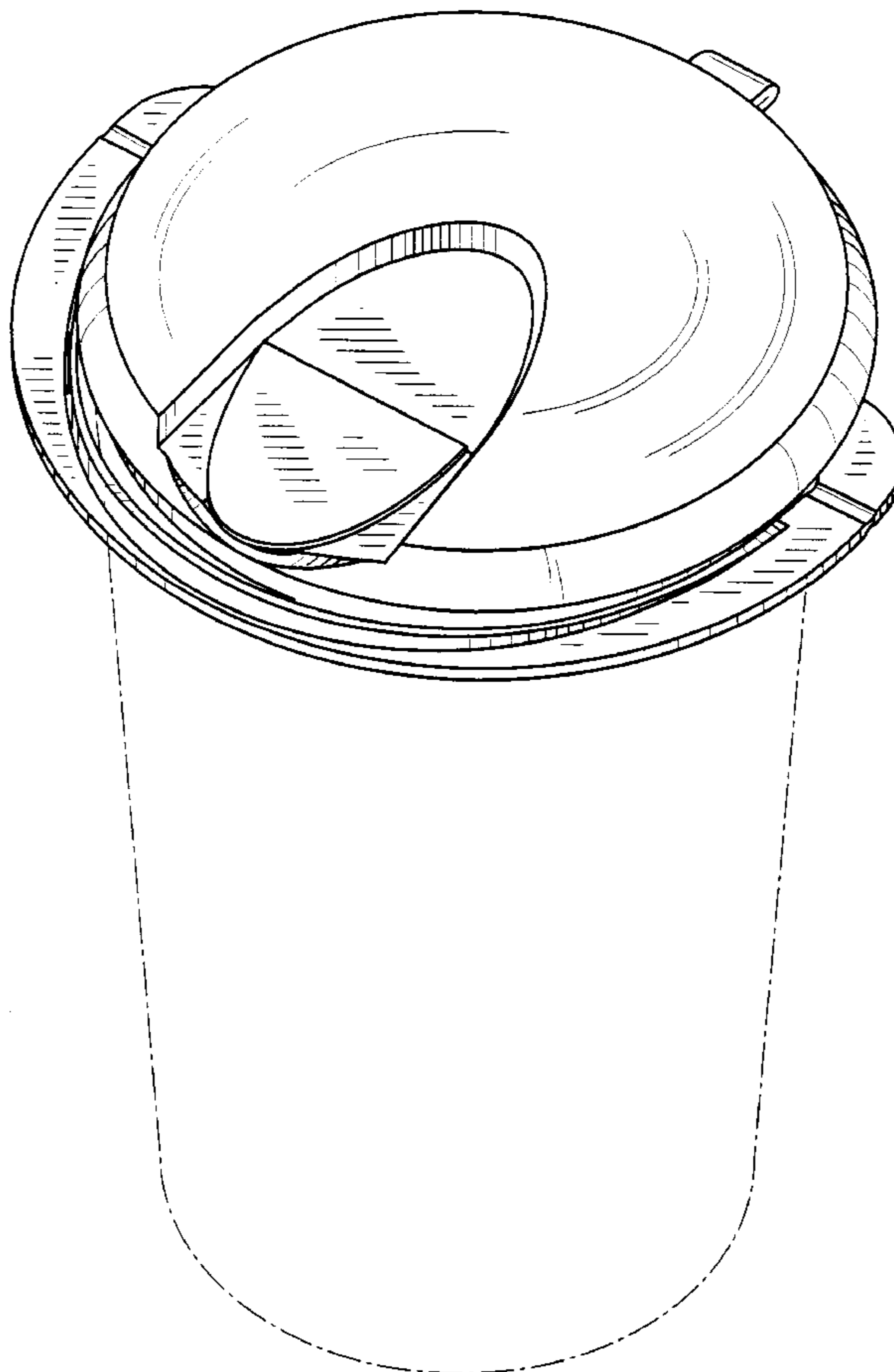


FIG. 1

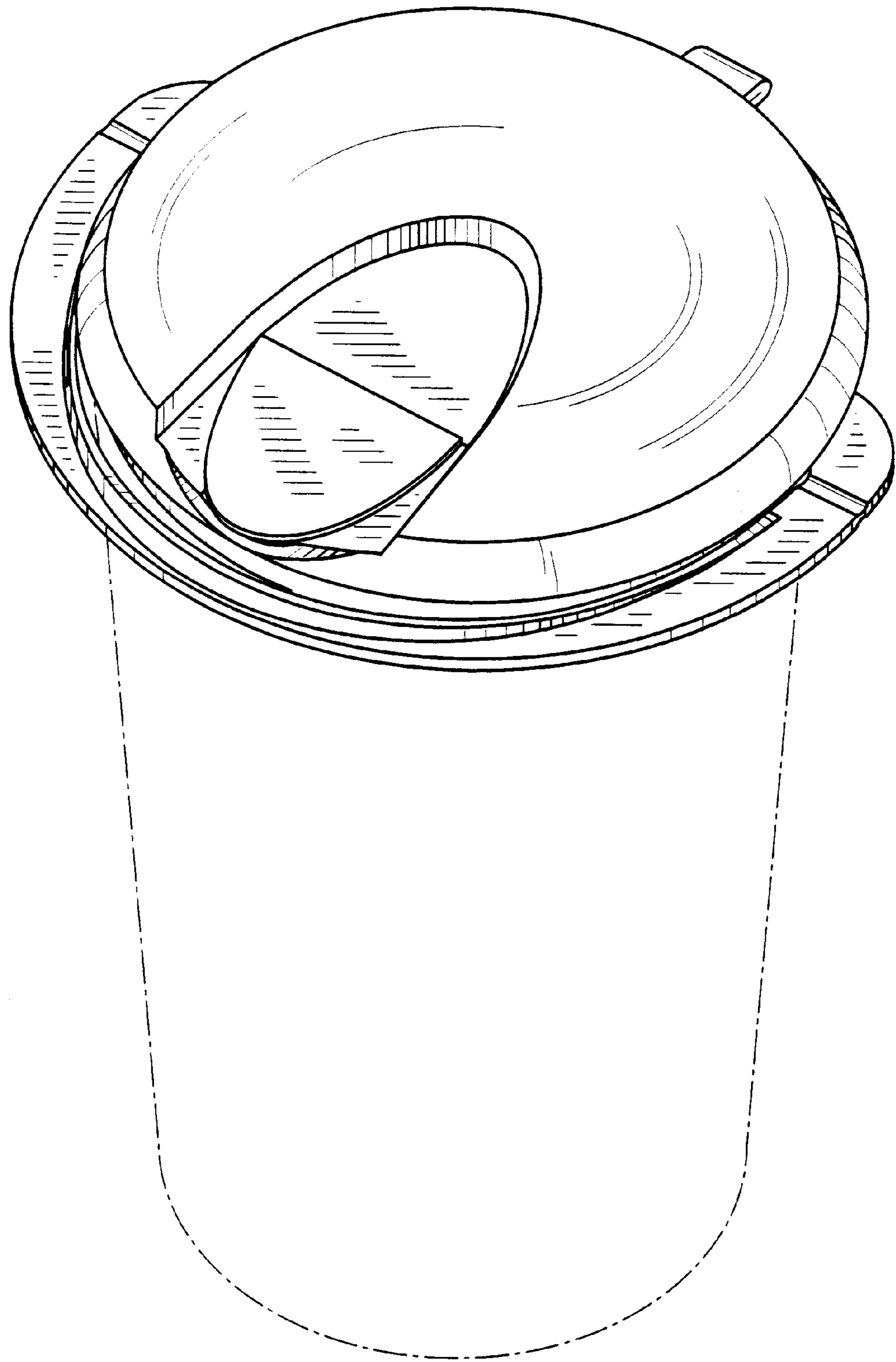


FIG. 2

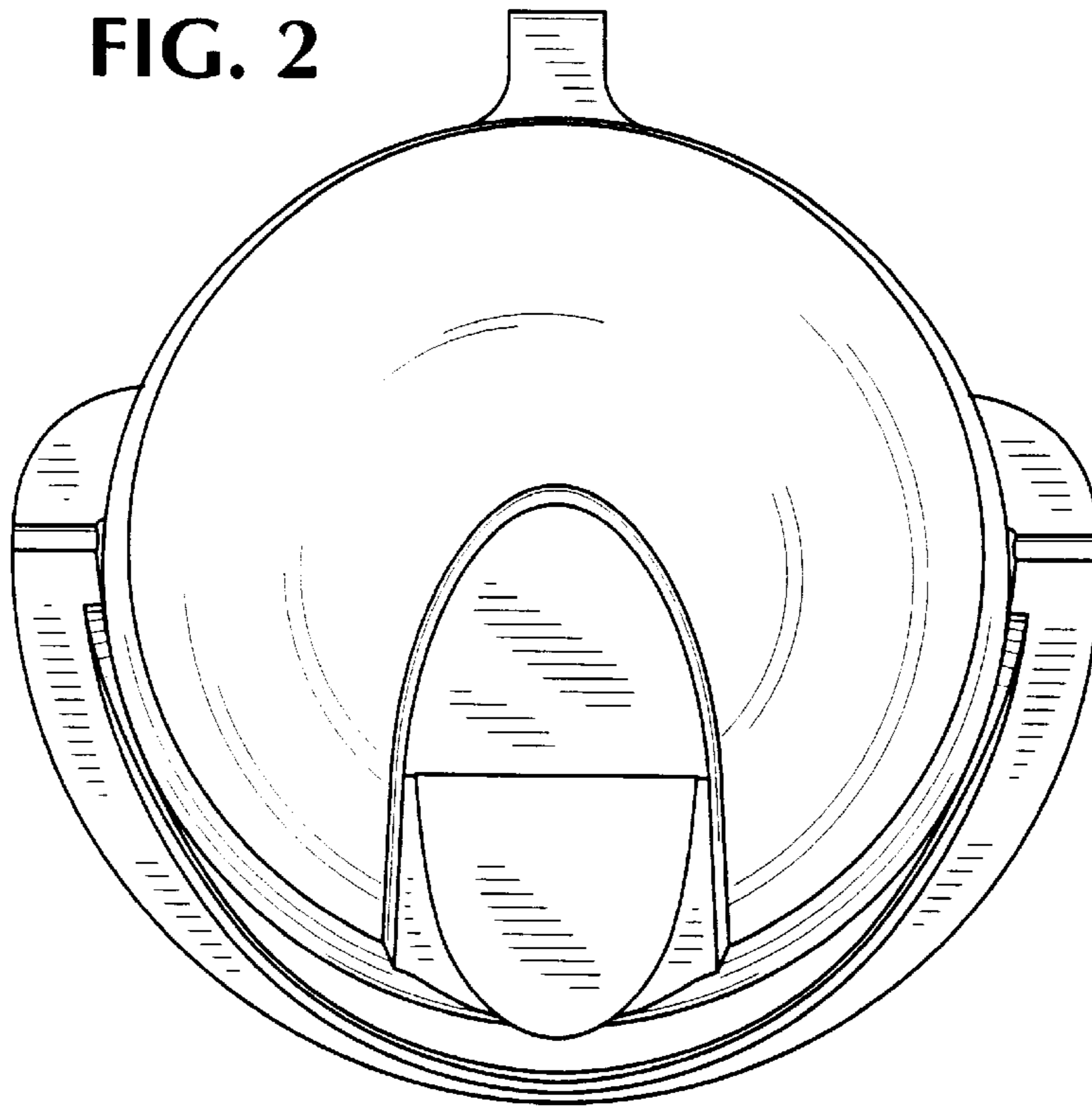


FIG. 3

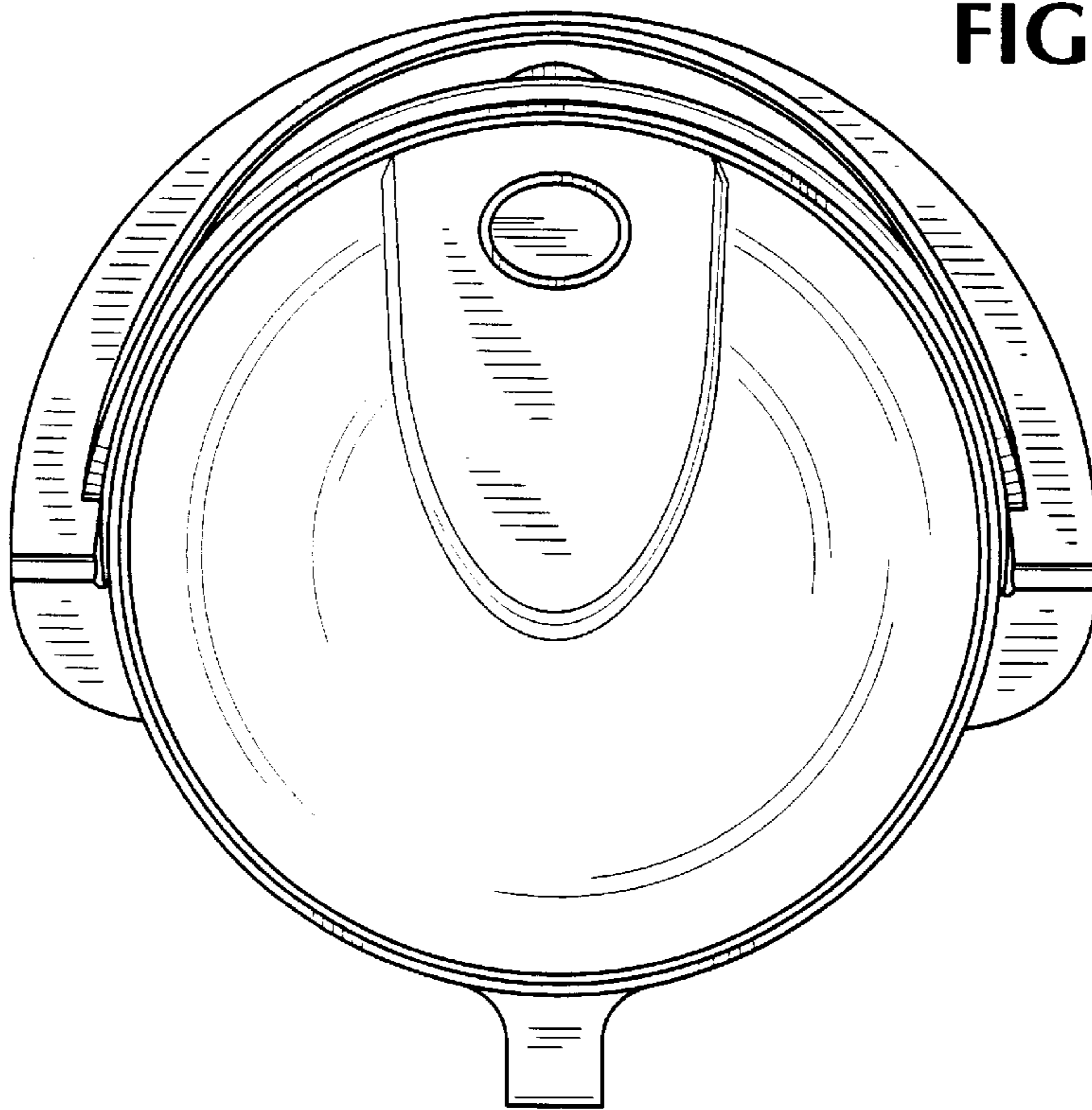


FIG. 4

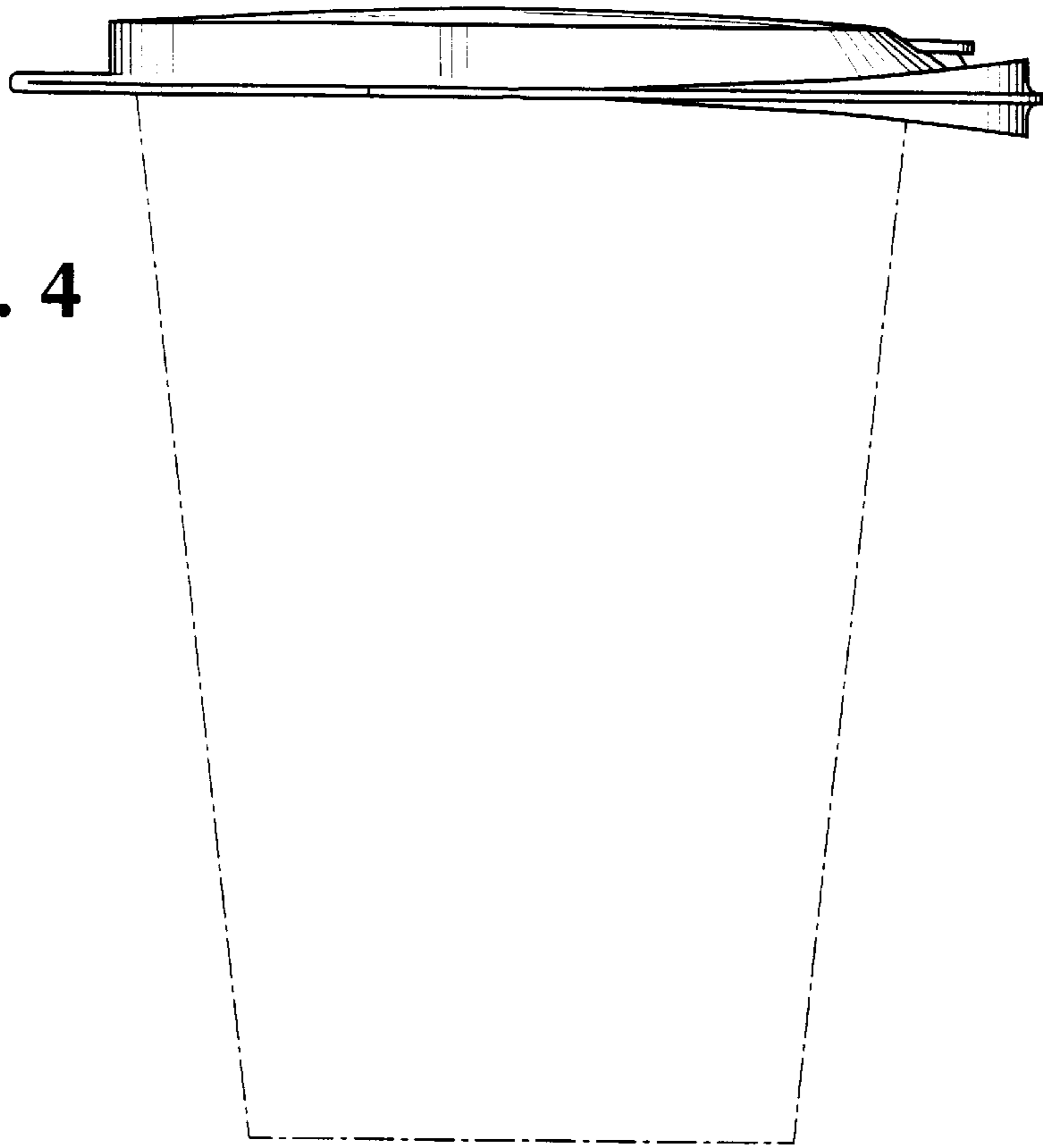
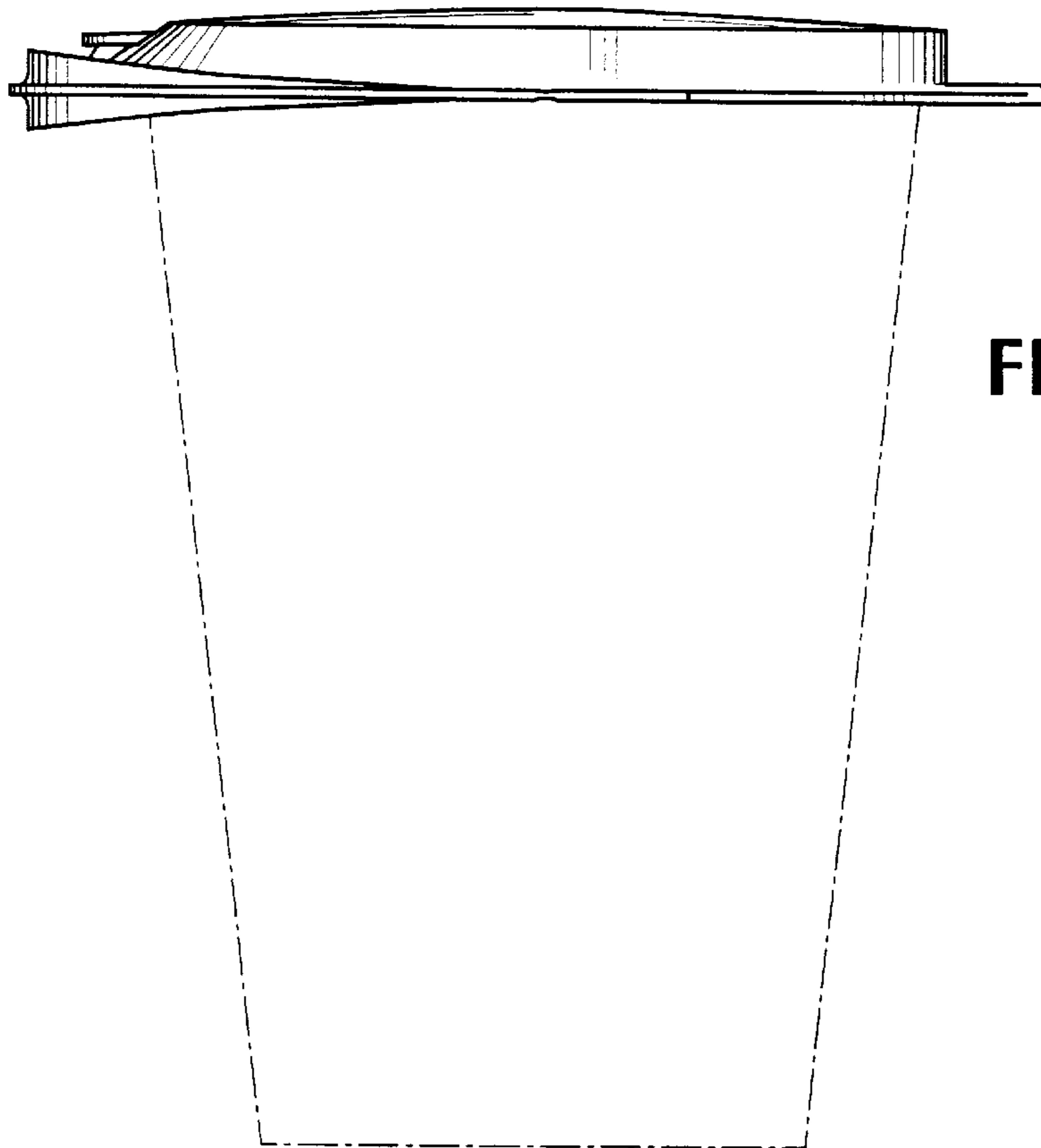


FIG. 5



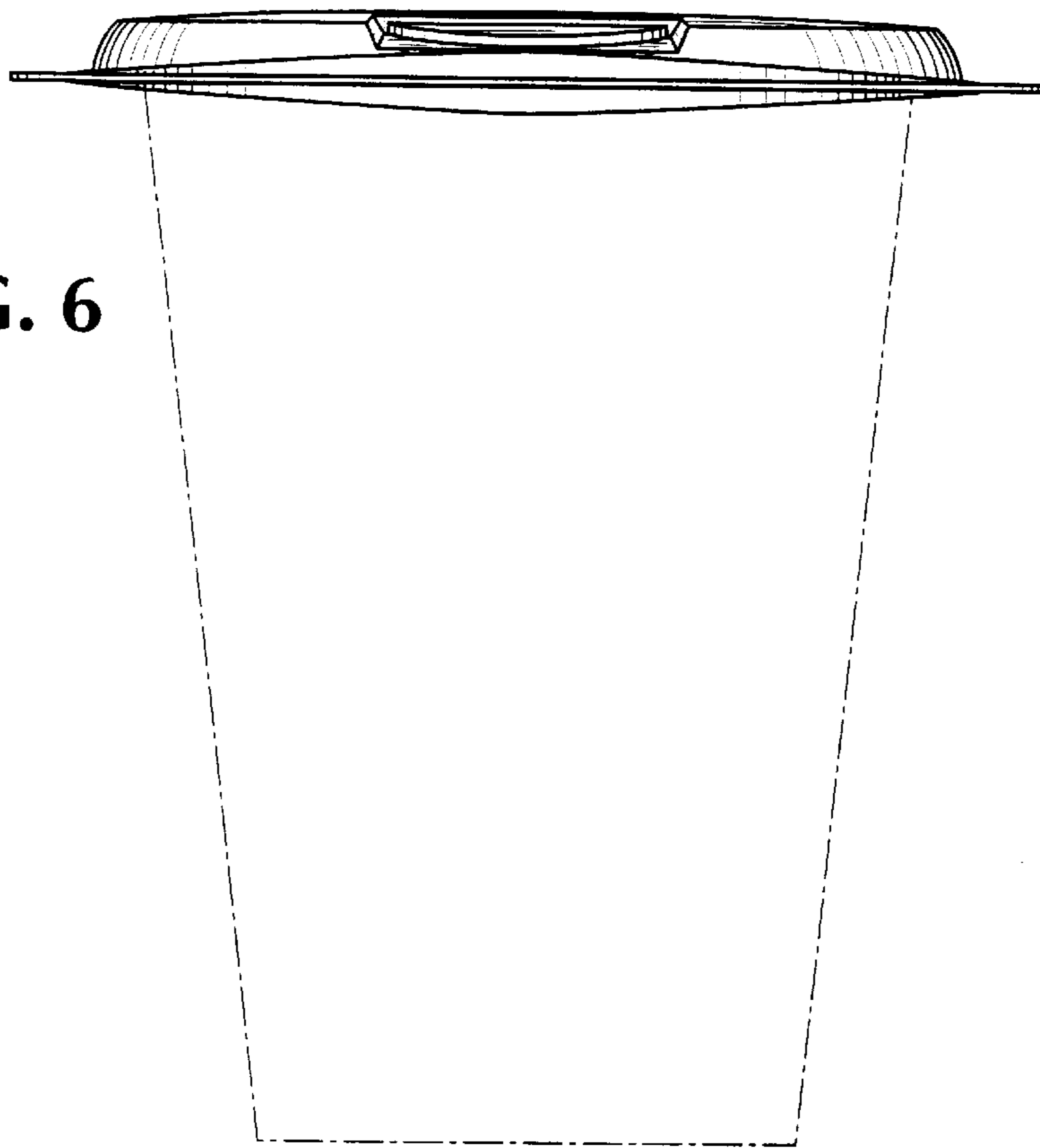


FIG. 6

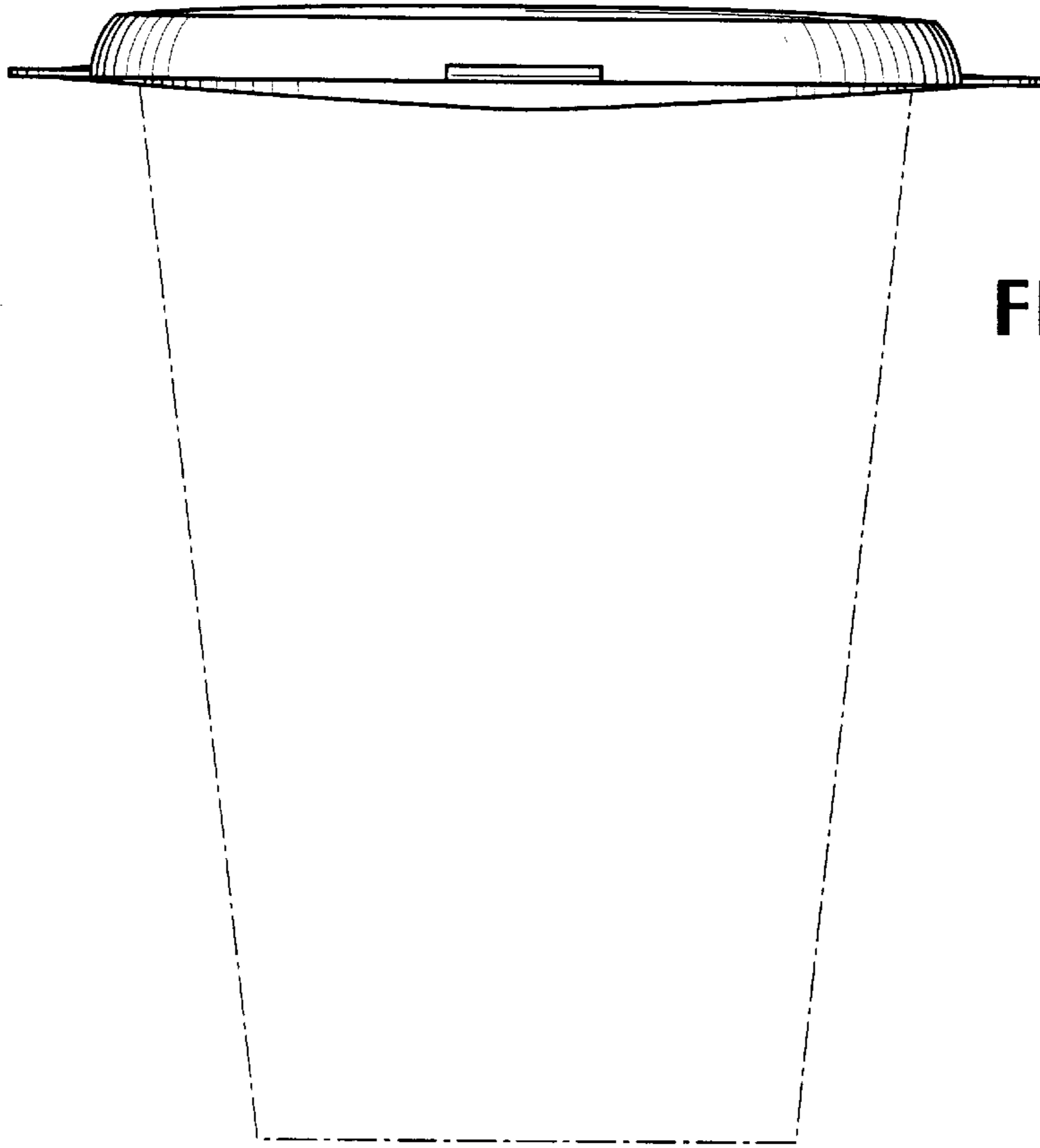


FIG. 7

FIG. 8

