



US00D418362S

# United States Patent [19]

Wong

[11] Patent Number: **Des. 418,362**

[45] Date of Patent: **\*\* Jan. 4, 2000**

[54] **FOOD PROCESSOR**

[75] Inventor: **David T. Wong**, Laguna Verde, The Hong Kong Special Administrative Region of the People's Republic of China

[73] Assignee: **Windmere Corporation**, Miami Lakes, Fla.

[\*\*] Term: **14 Years**

[21] Appl. No.: **29/096,653**

[22] Filed: **Nov. 17, 1998**

[51] **LOC (7) Cl.** ..... **31-00**

[52] **U.S. Cl.** ..... **D7/384**

[58] **Field of Search** ..... D7/376-386, 412;  
241/37.5, 92, 93, 101.1, 199.12, 282.1,  
282.2

[56] **References Cited**

**U.S. PATENT DOCUMENTS**

D. 282,620 2/1986 Cavalli ..... D7/384

- D. 293,873 1/1988 Maass ..... D7/384
- D. 338,134 8/1993 Hoffman ..... D7/384
- D. 345,078 3/1994 Gotzsch ..... D7/384
- D. 366,984 2/1996 Hsu ..... D7/384
- D. 392,150 3/1998 Tanaka et al. .... D7/384

*Primary Examiner*—Caron D. Veynar  
*Attorney, Agent, or Firm*—Barry E. Deutsch

[57] **CLAIM**

The ornamental design for food processor, as shown.

**DESCRIPTION**

FIG. 1 is a left side view of a food processor according to the present invention.

FIG. 2 is a right side view of the food processor of FIG.1.

FIG. 3 is a front view of the food processor of FIG.1.

FIG. 4 is a rear view of the food processor of FIG.1.

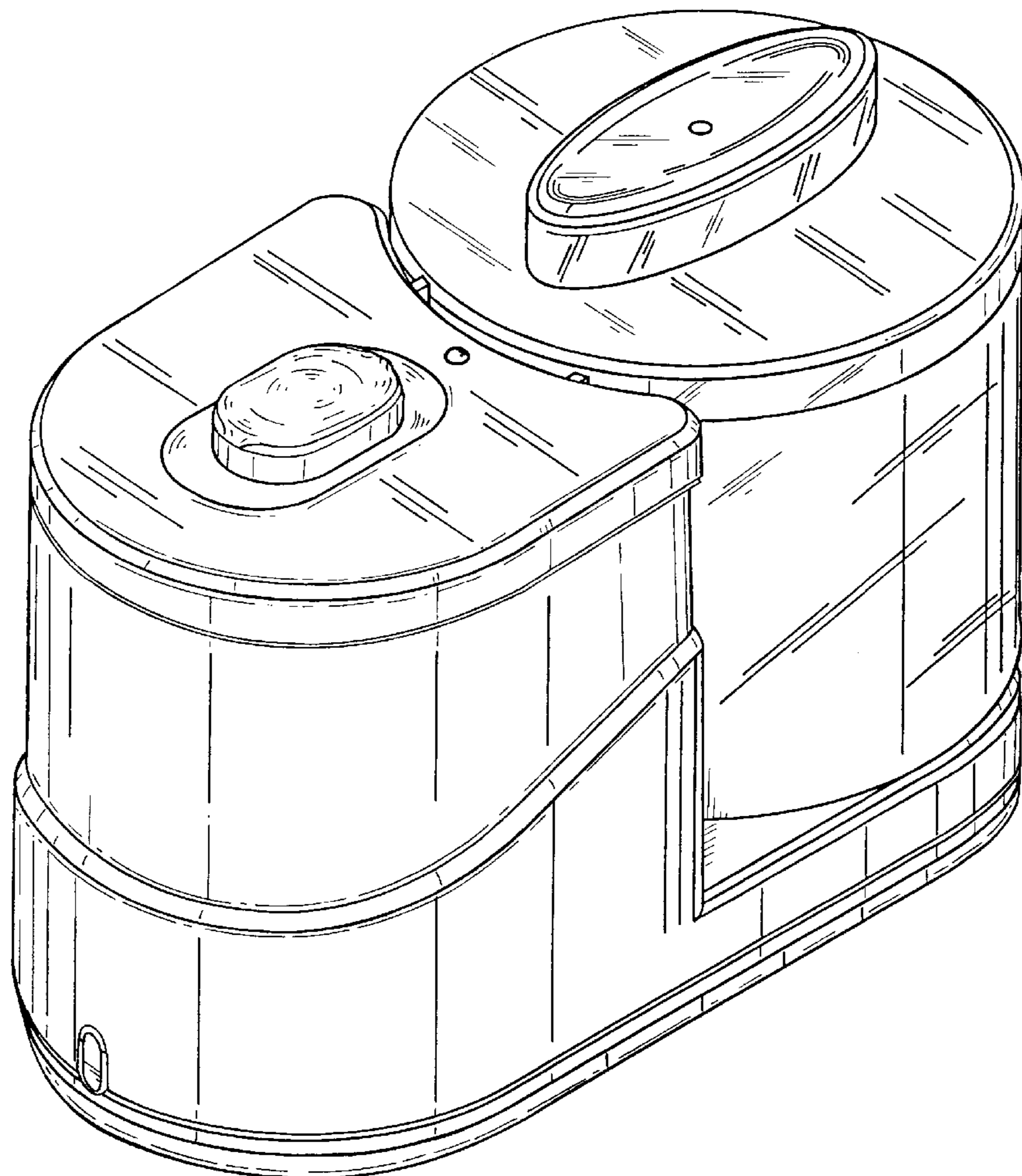
FIG. 5 is a top view of the food processor of FIG.1.

FIG. 6 is a bottom view of the food processor of the FIG.1;

and,

FIG. 7 is a perspective view taken from the front, top, and right side of the food processor of FIG.1.

**1 Claim, 7 Drawing Sheets**



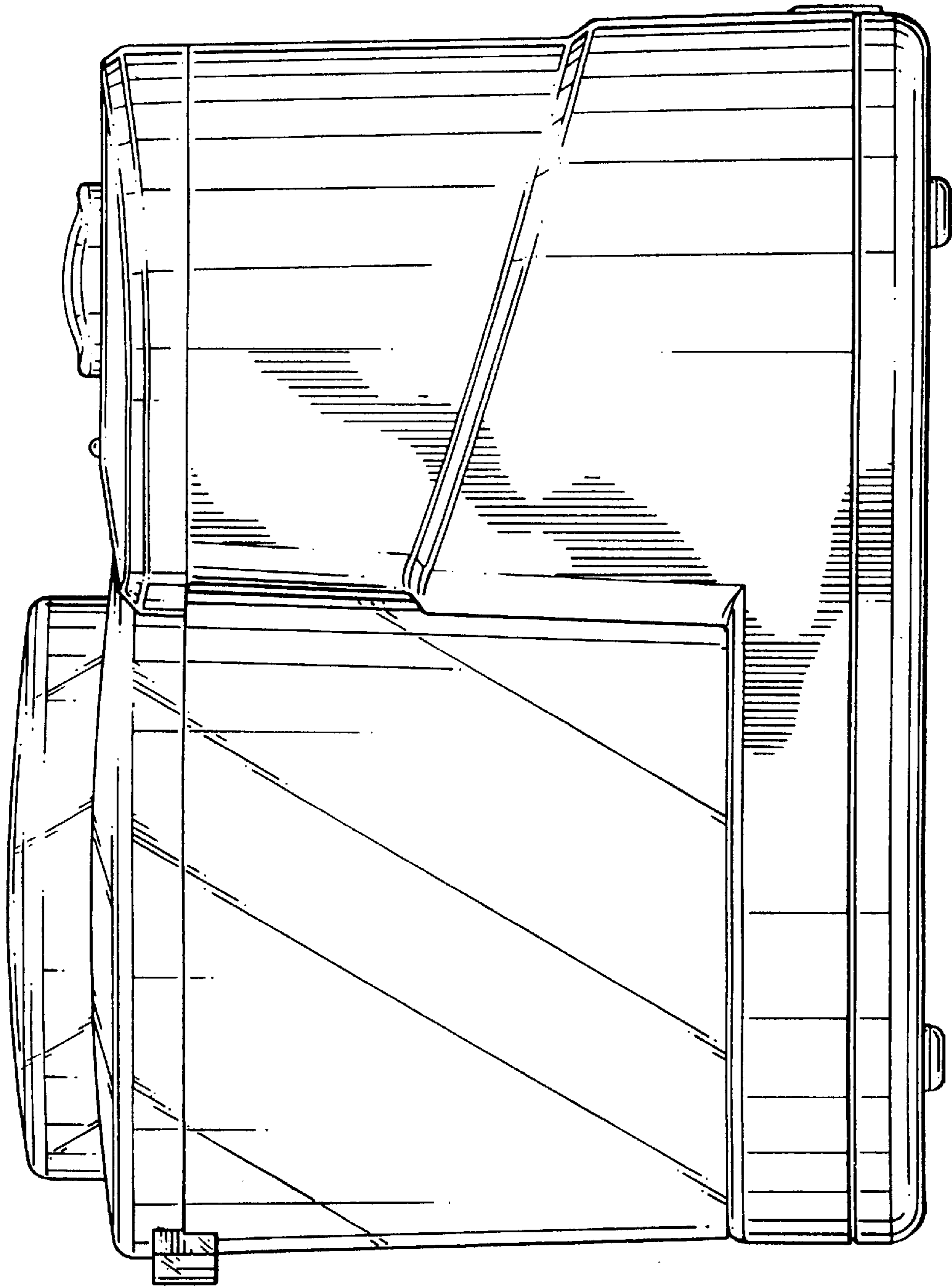


FIG. 1

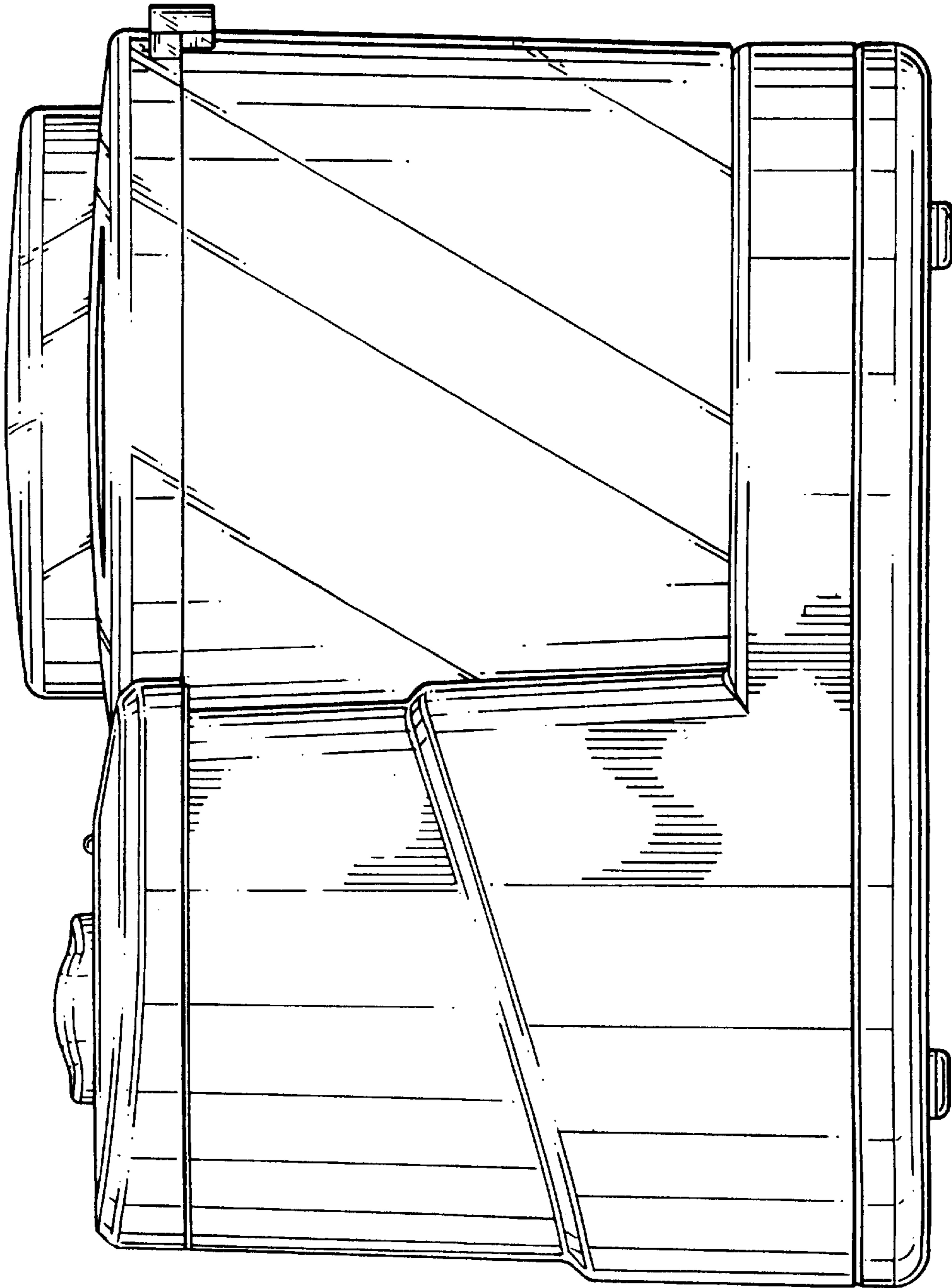


FIG. 2

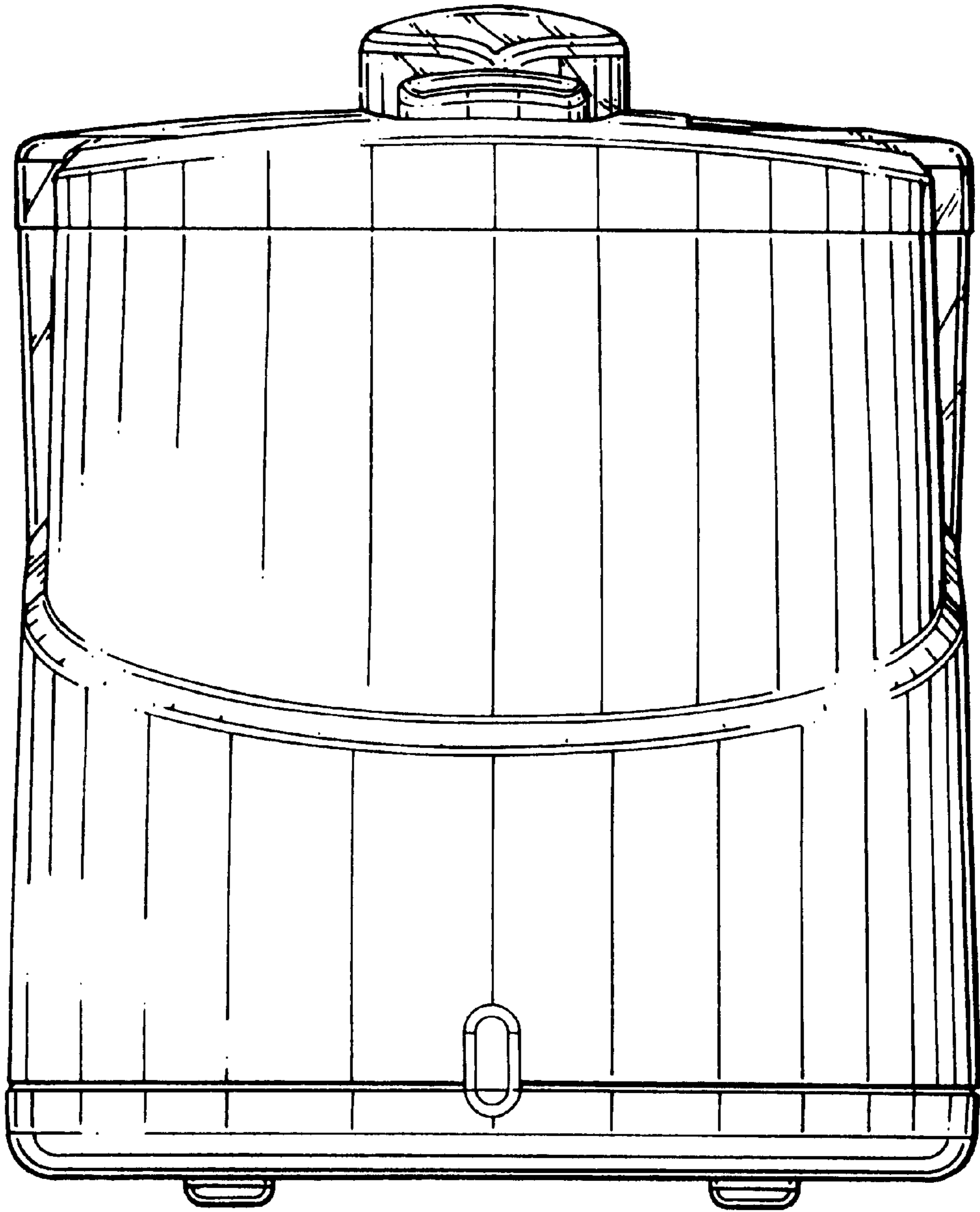


FIG. 3

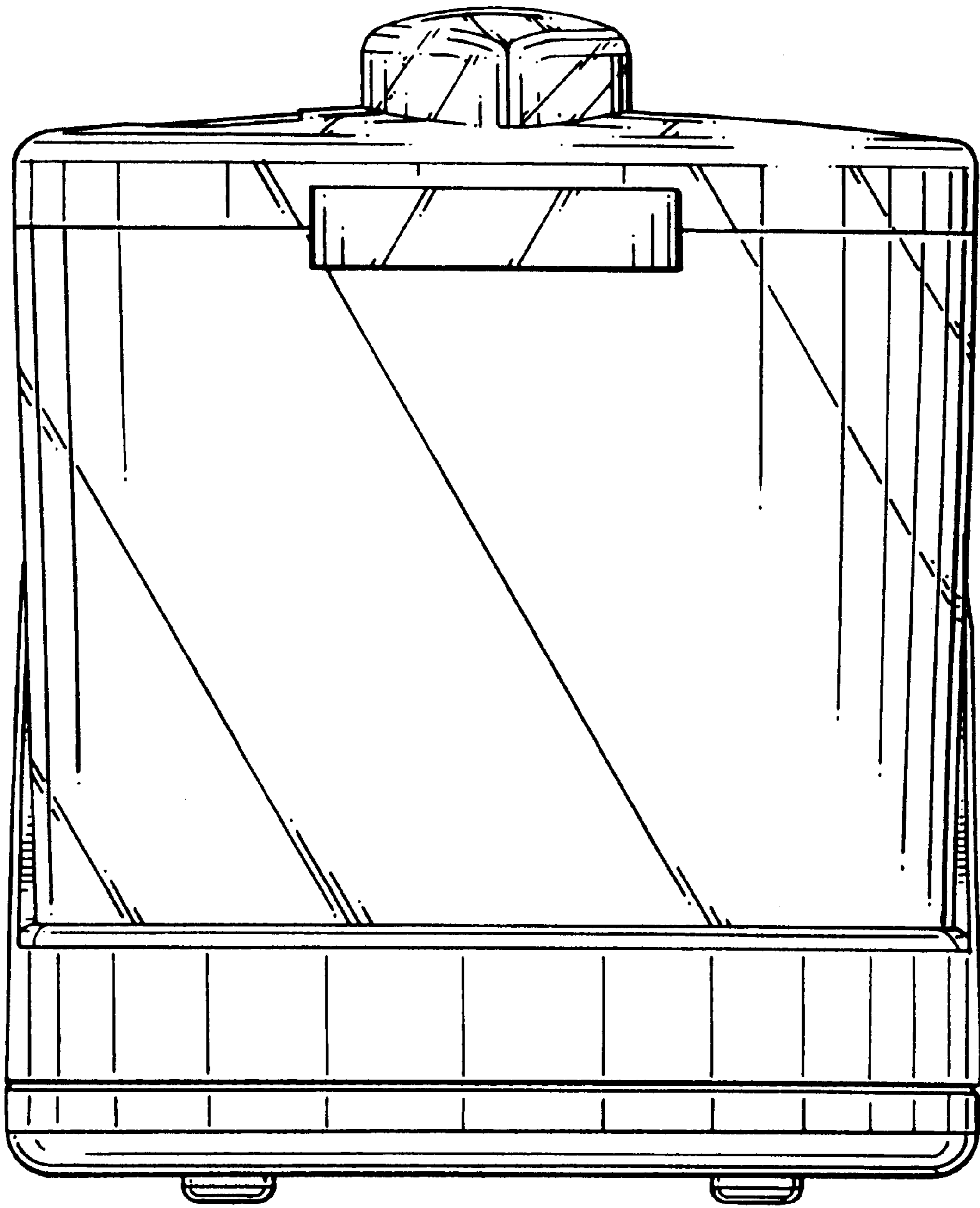


FIG. 4

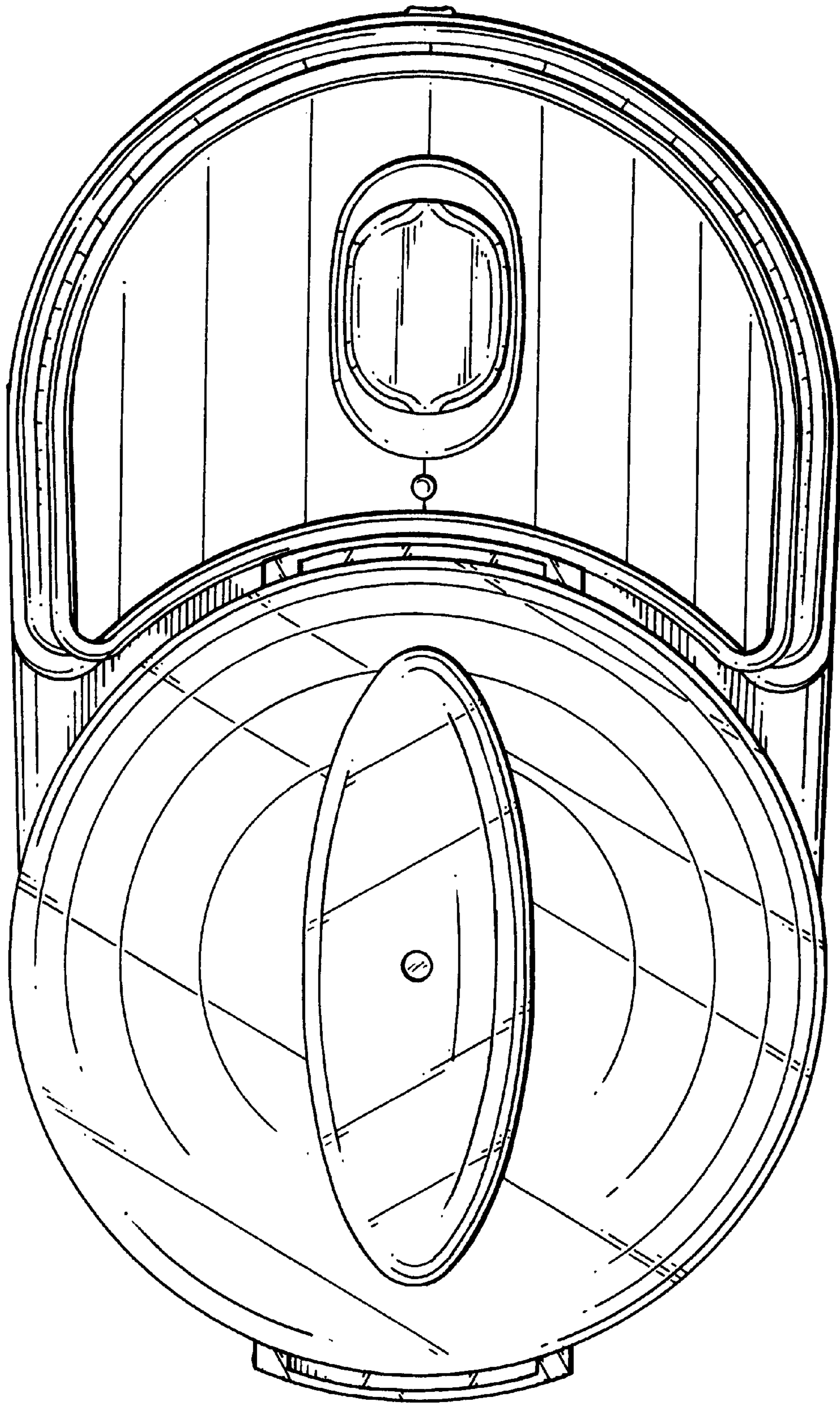


FIG. 5

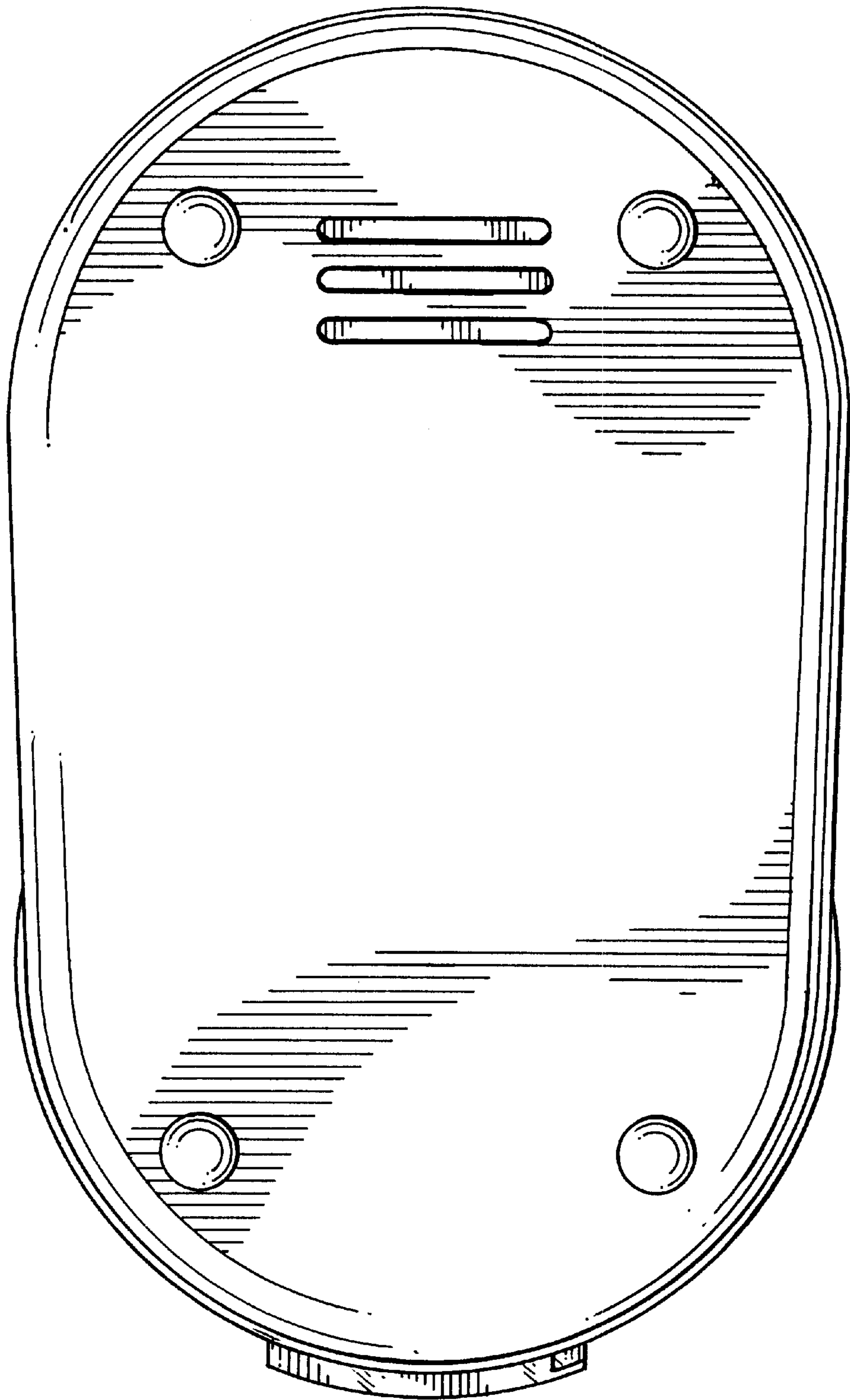


FIG. 6

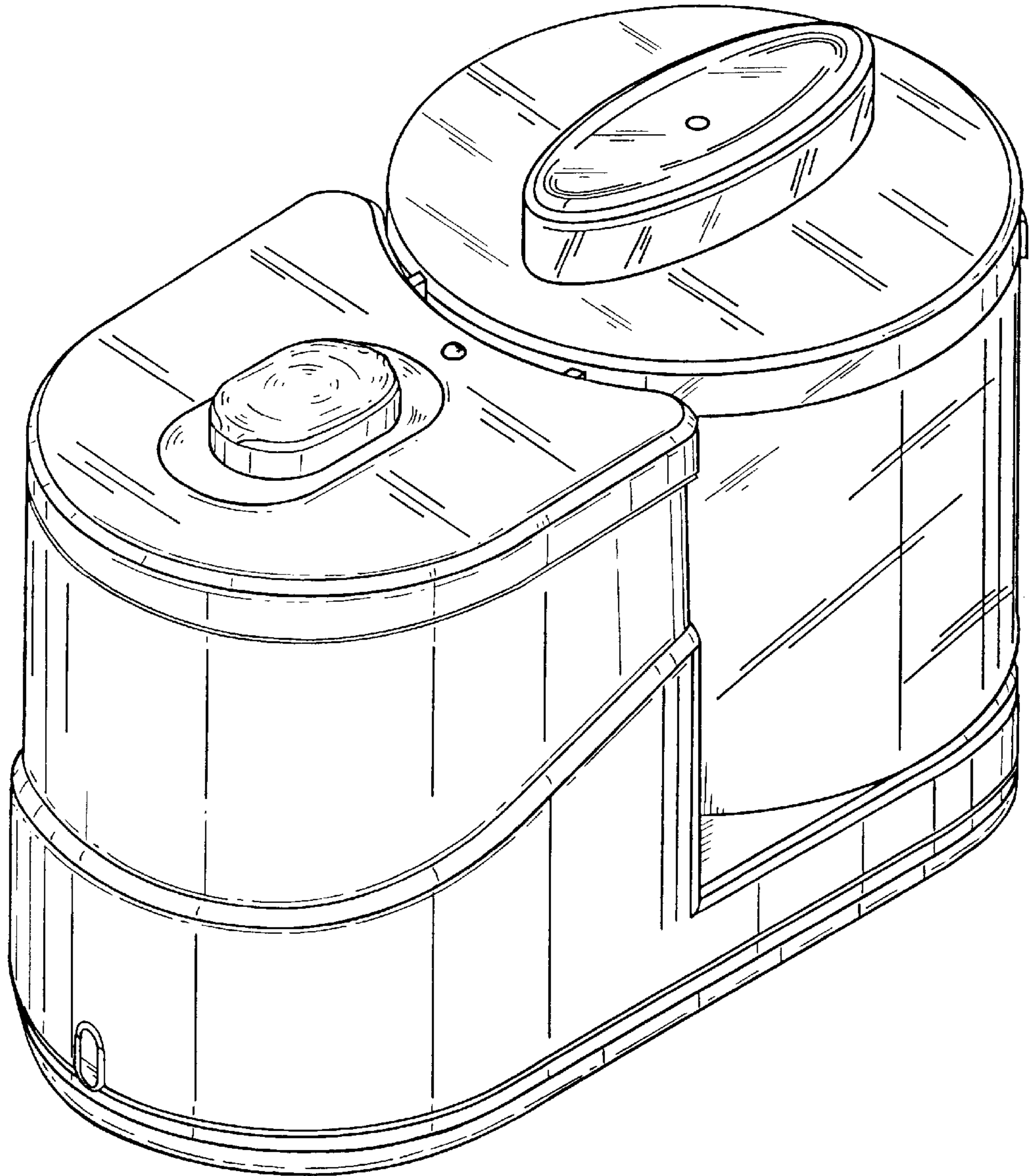


FIG. 7