



US00D418360S

United States Patent [19] Kei

[11] **Patent Number: Des. 418,360**
[45] **Date of Patent: ** Jan. 4, 2000**

[54] **RICE COOKER**

D. 362,993 10/1995 Sarnoff et al. D7/360

[75] Inventor: **Chi Kin Kei**, Ha Kwai Chung, The Hong Kong Special Administrative Region of the People's Republic of China

Primary Examiner—Caron D. Veynar
Attorney, Agent, or Firm—Blakely Sokoloff Taylor & Zafman

[73] Assignee: **Sun Hoi Kwong Plastic Factory (Shenzhen) Co., Ltd.**, China

[57] **CLAIM**

The ornamental design for a rice cooker, as shown and described.

[**] Term: **14 Years**

DESCRIPTION

[21] Appl. No.: **29/089,418**

FIG. 1 is a front elevation view of the design thereof;
FIG. 2 is a rear elevation view of the design thereof;
FIG. 3 is a left side elevation view of the design thereof;
FIG. 4 is a right side elevation view of the design thereof;
FIG. 5 is a top plan view thereof;
FIG. 6 is a bottom plan view thereof;
FIG. 7 is a top perspective view thereof;
FIG. 8 is an exploded perspective view thereof;
FIG. 9 is a fragmentary perspective view similar to the circled area shown in FIG. 11 taken from FIG. 7 showing the latch in an open condition;
FIG. 10 is a fragmentary elevation view similar to the area circled in FIG. 12 taken from FIG. 1 showing the latch in an open condition;
FIG. 11 is a fragmentary perspective view taken from the circled area on FIG. 7; and,
FIG. 12 is a fragmentary elevation view taken from the circled area on FIG. 1.

[22] Filed: **Jun. 15, 1998**

[30] **Foreign Application Priority Data**

Dec. 23, 1997 [HK] The Hong Kong Special Administrative Region of the People's Republic of China 9710651.8

[51] **LOC (7) Cl.** **07-02**

[52] **U.S. Cl.** **D7/354**

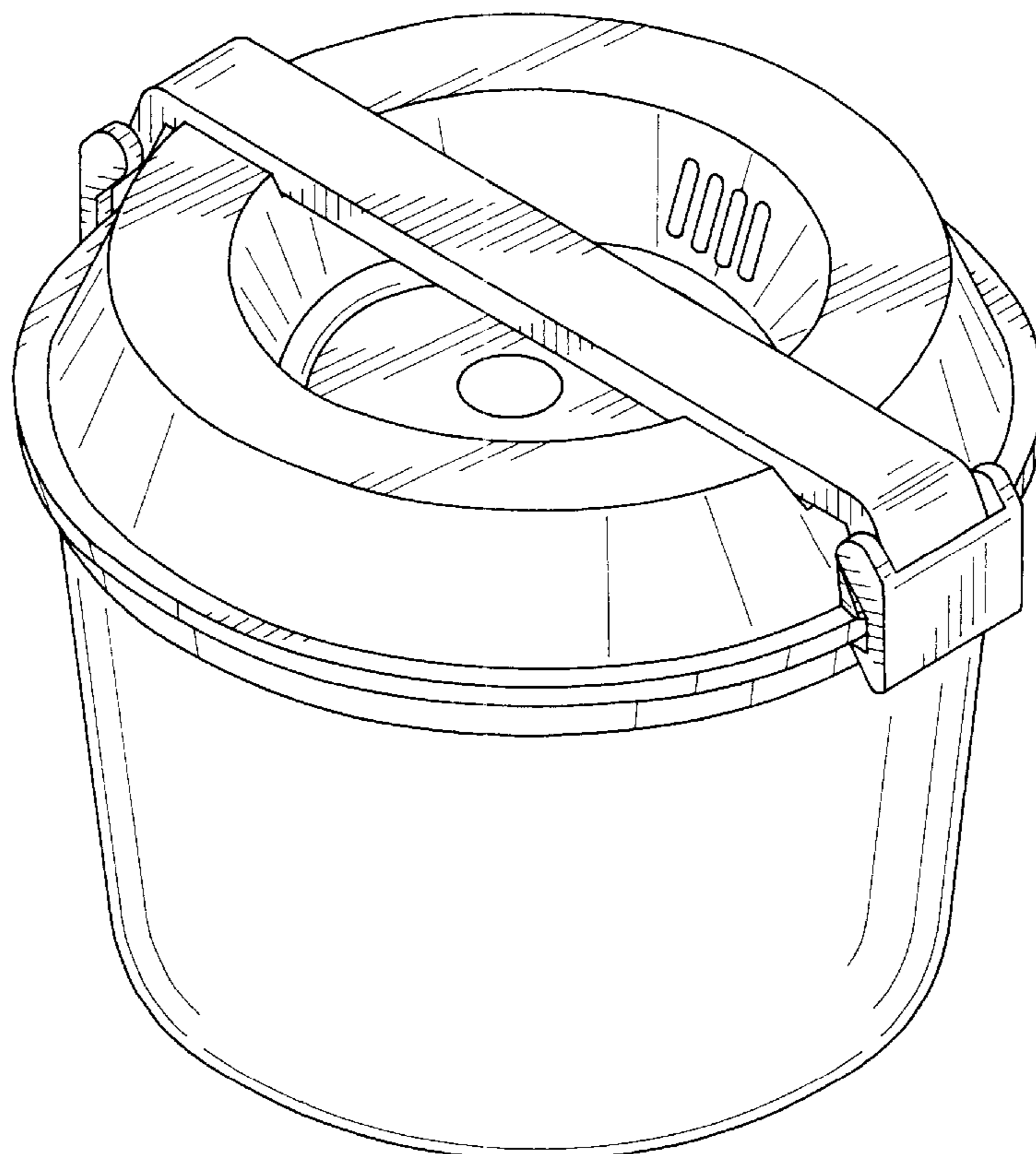
[58] **Field of Search** D7/323, 354-361; 99/403, 337, 324, 336, 339, 348, 376, 413, 417, 426; 220/573.1, 912, 323

[56] **References Cited**

U.S. PATENT DOCUMENTS

D. 141,818 7/1945 Kendall D7/358
D. 261,348 10/1981 Groh et al. D7/391

1 Claim, 10 Drawing Sheets



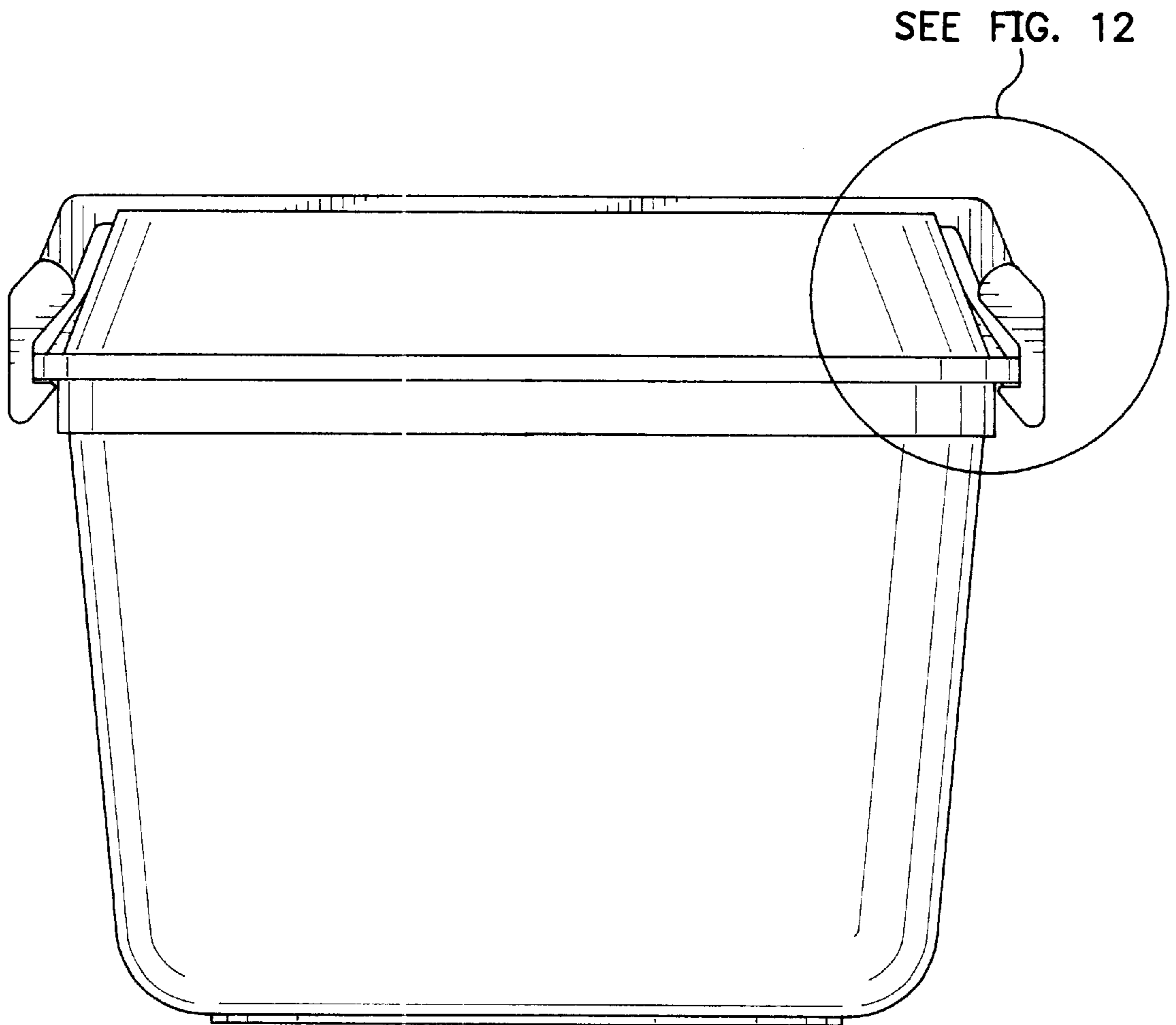


FIG. 1

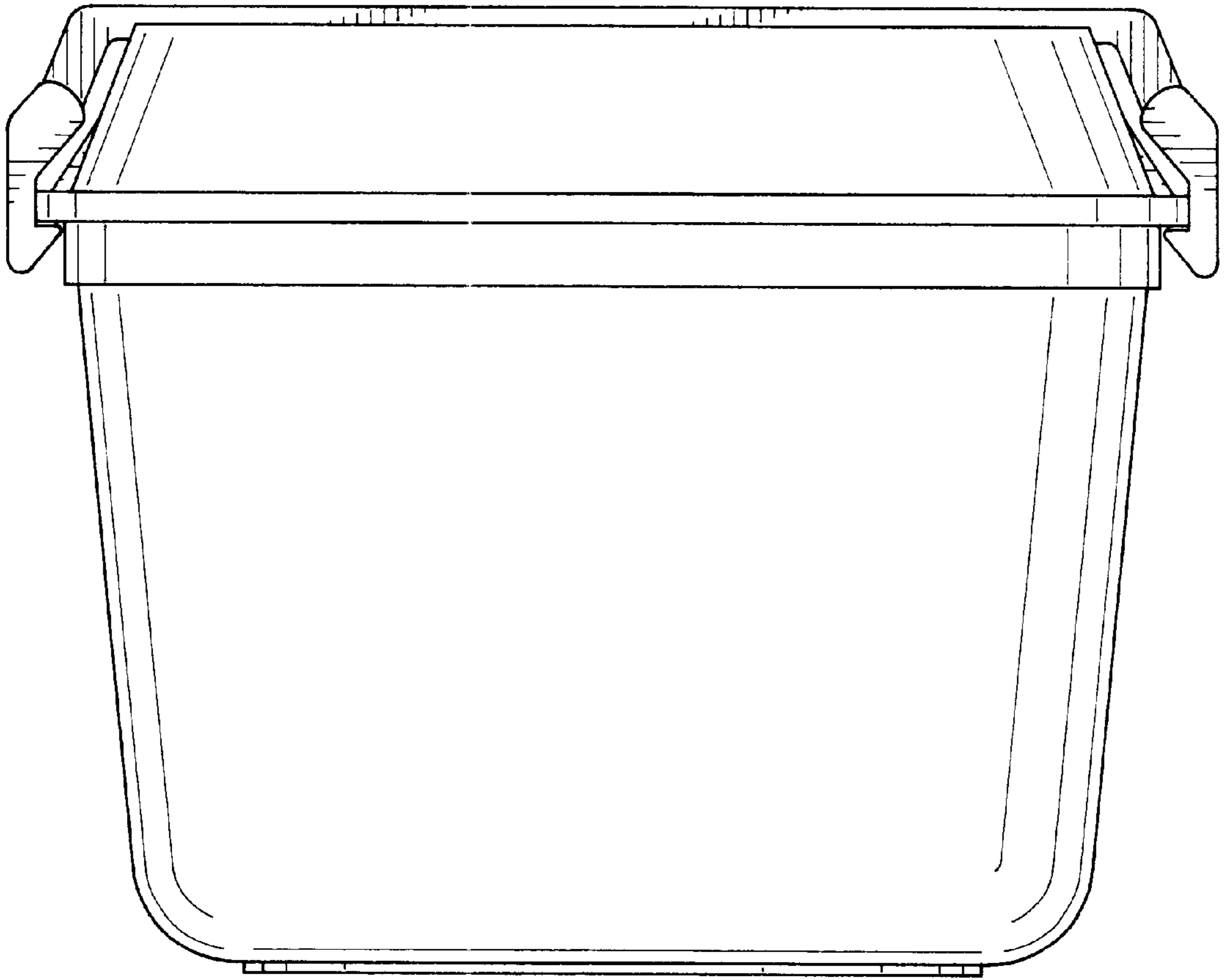


FIG. 2

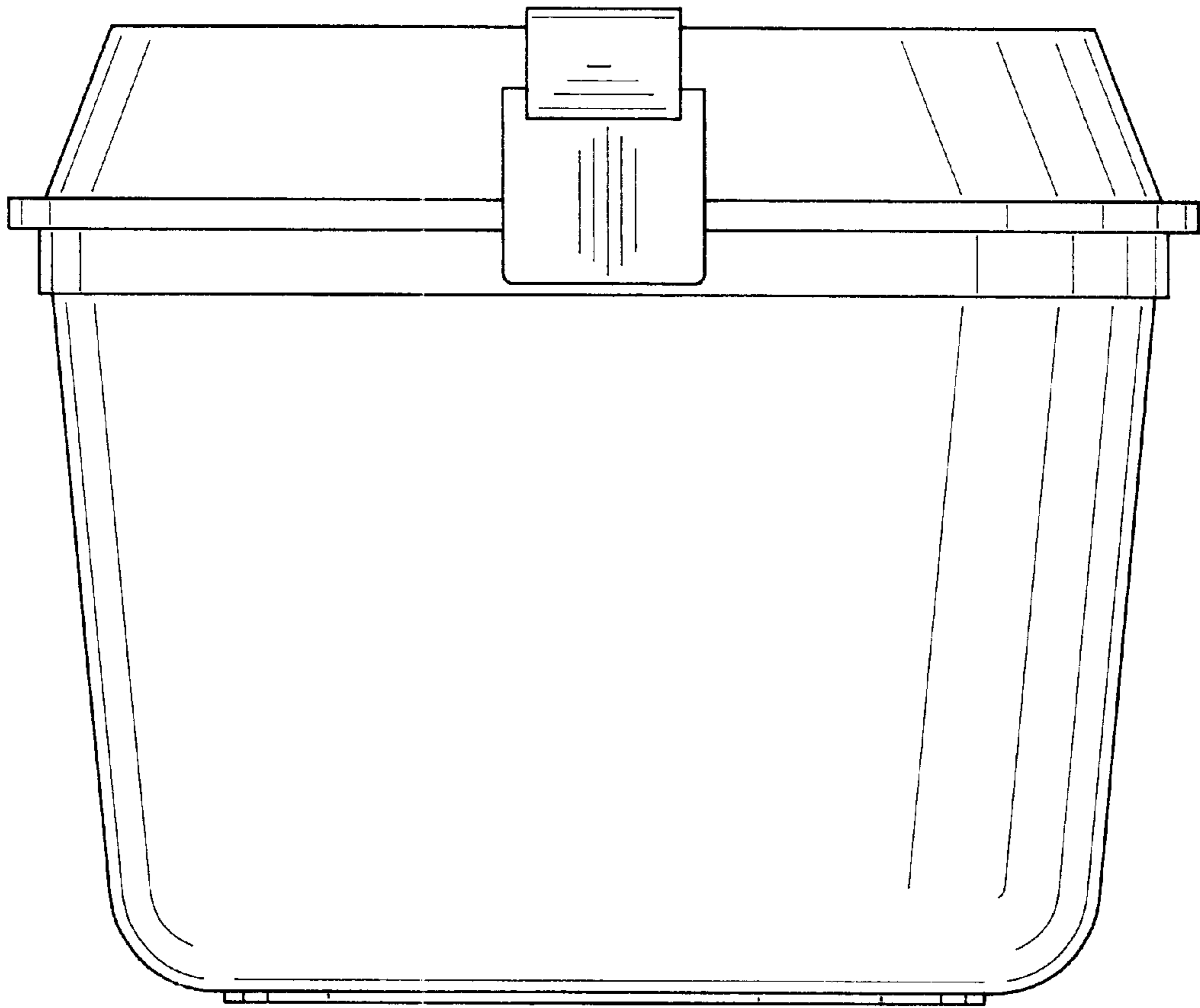


FIG. 3

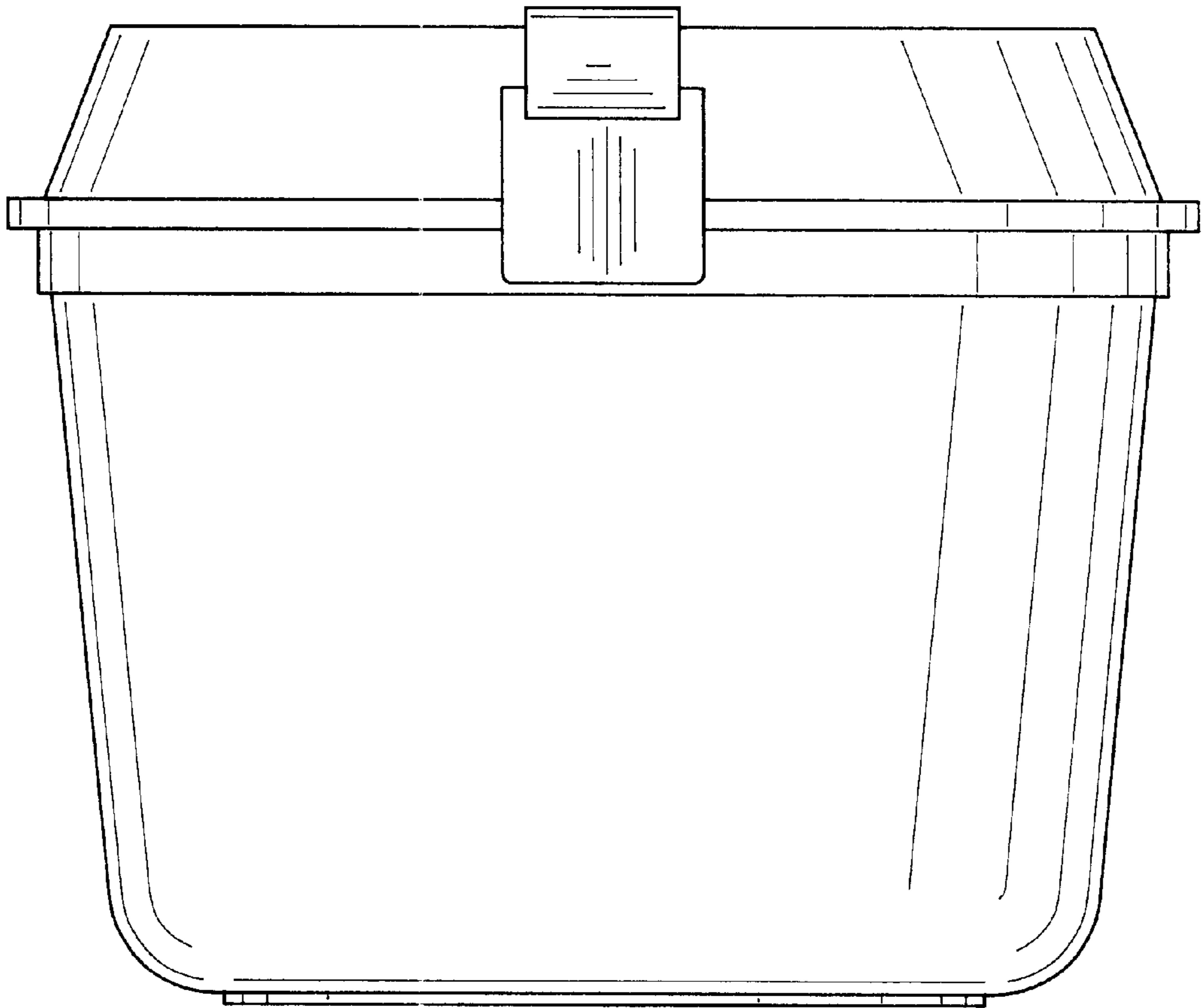


FIG. 4

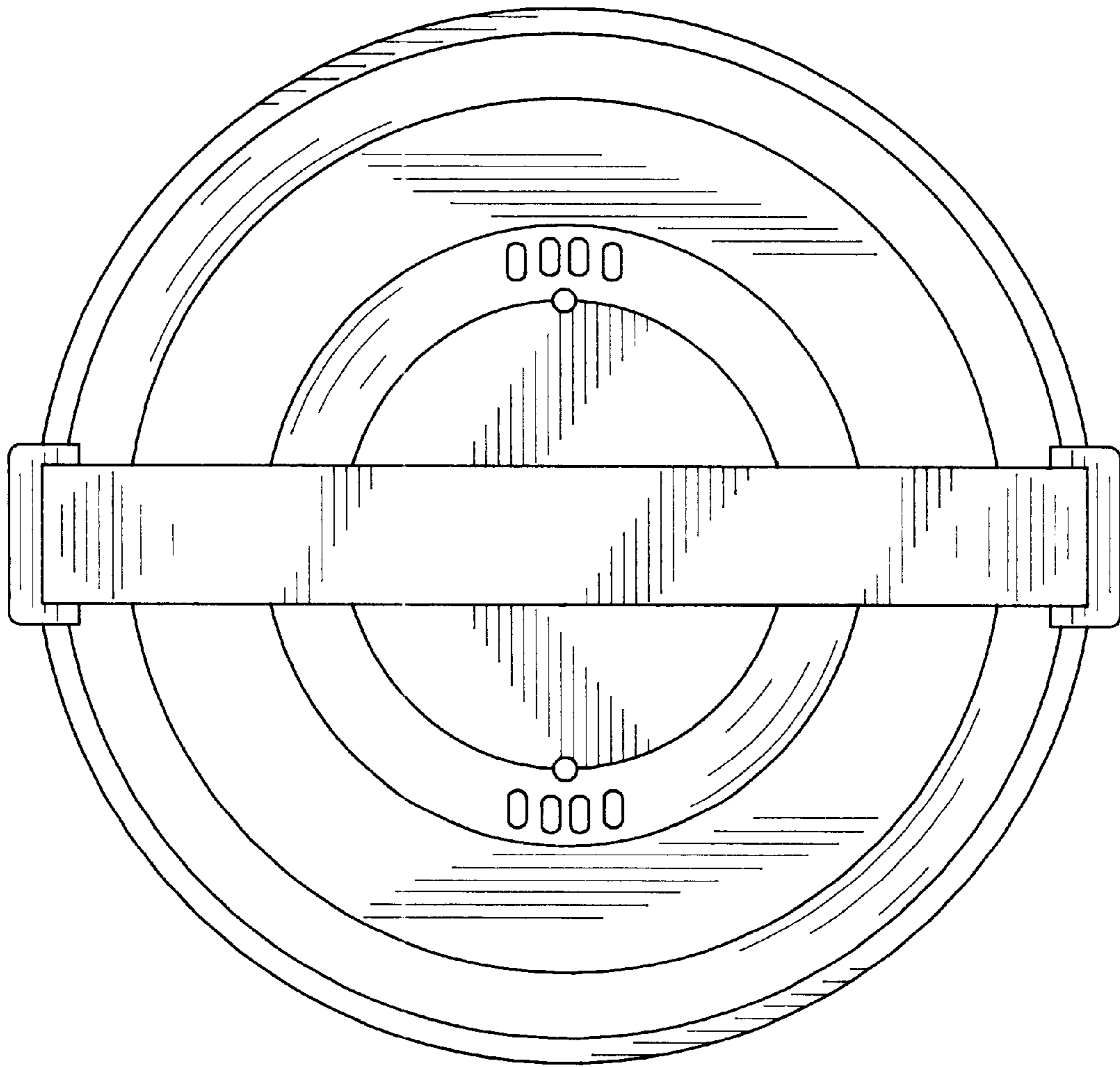


FIG. 5

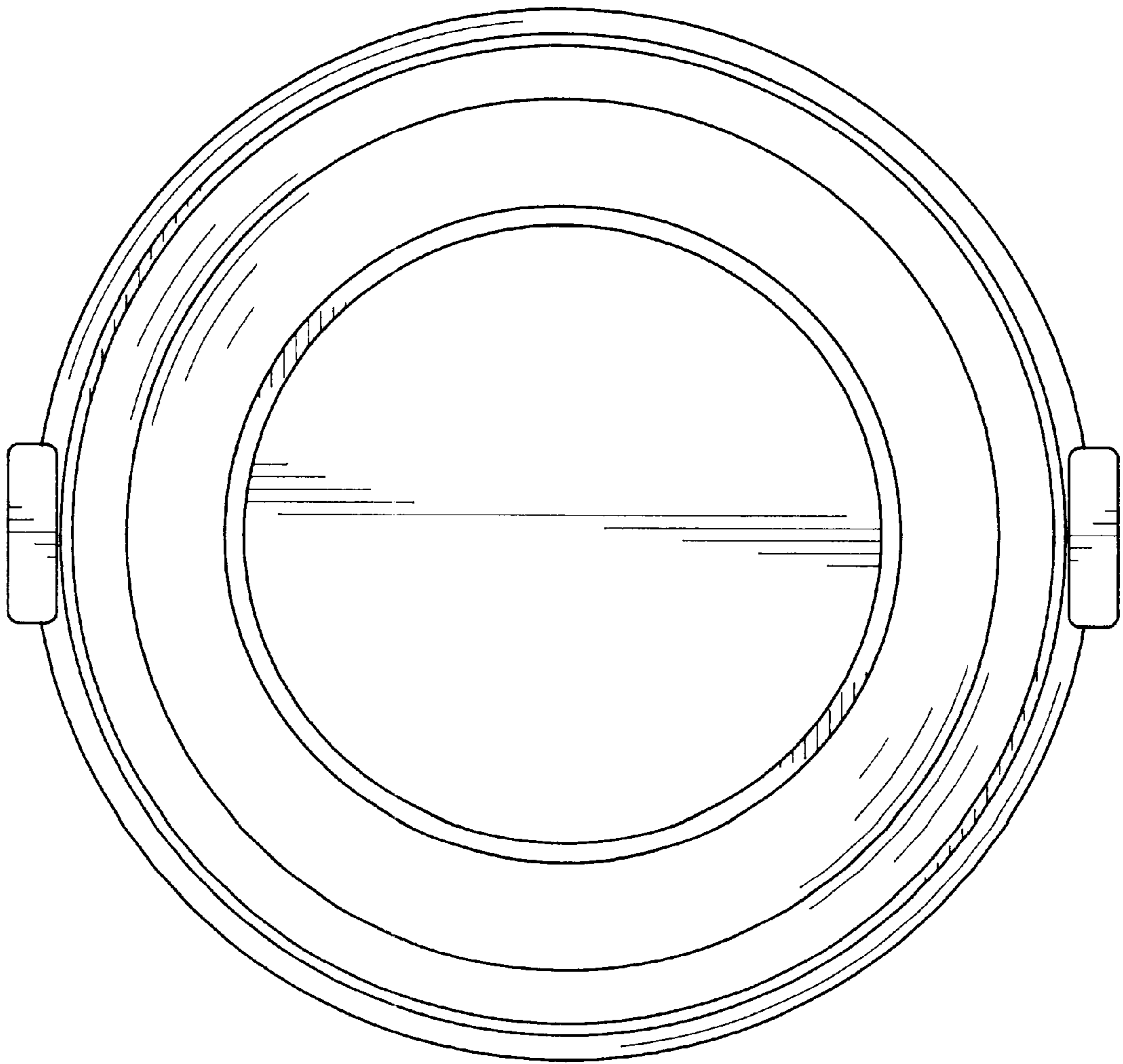


FIG. 6

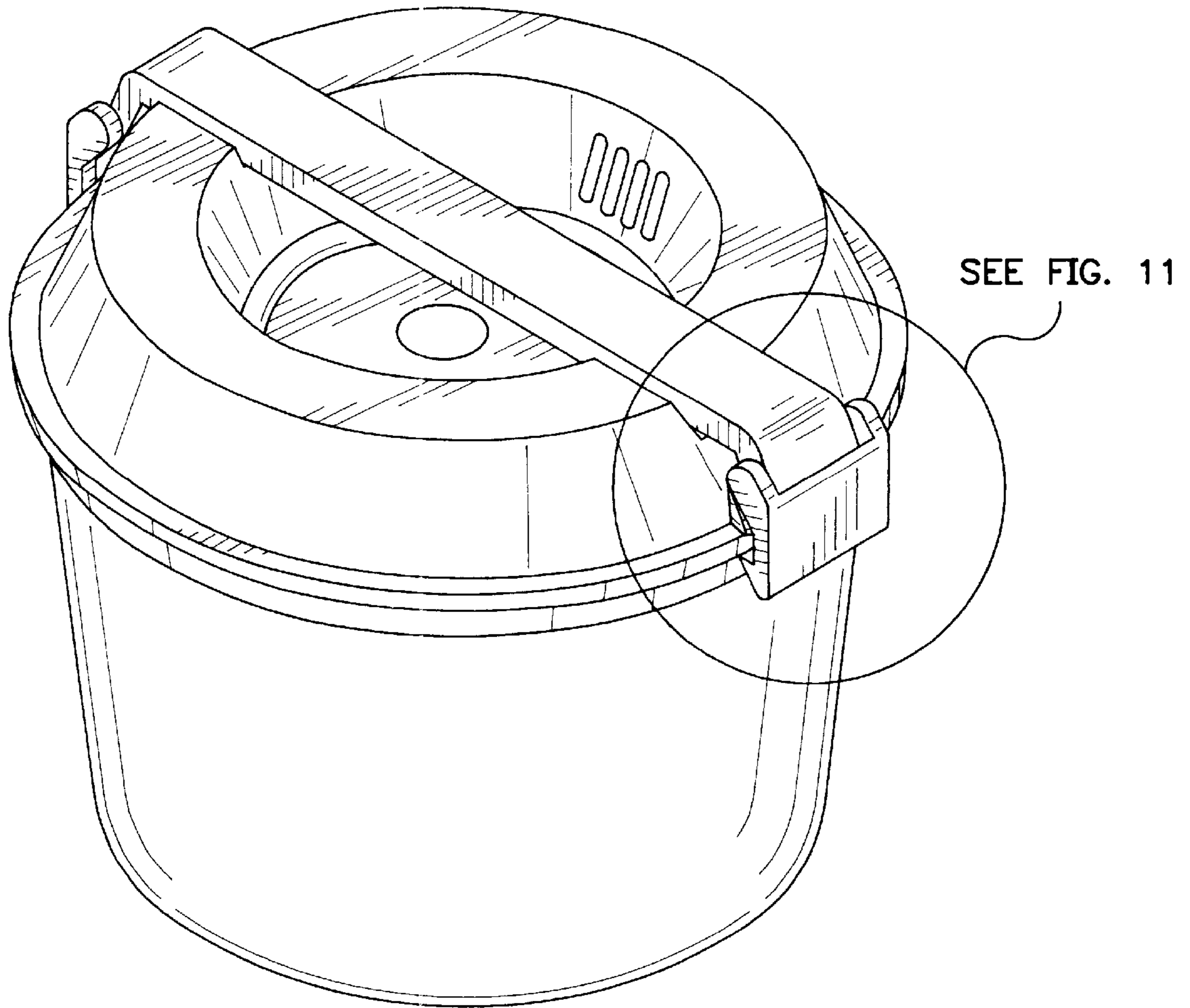


FIG. 7

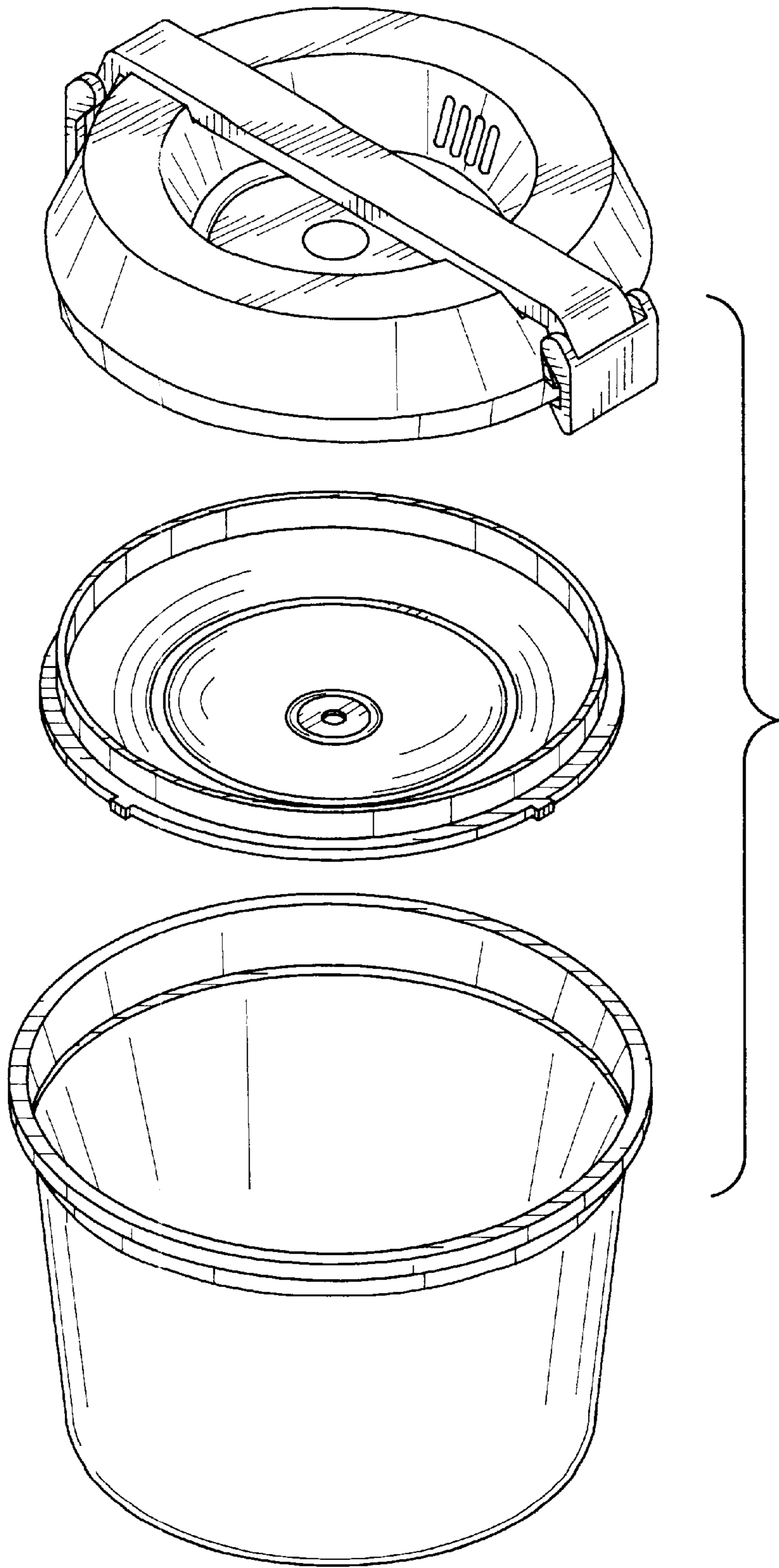


FIG. 8

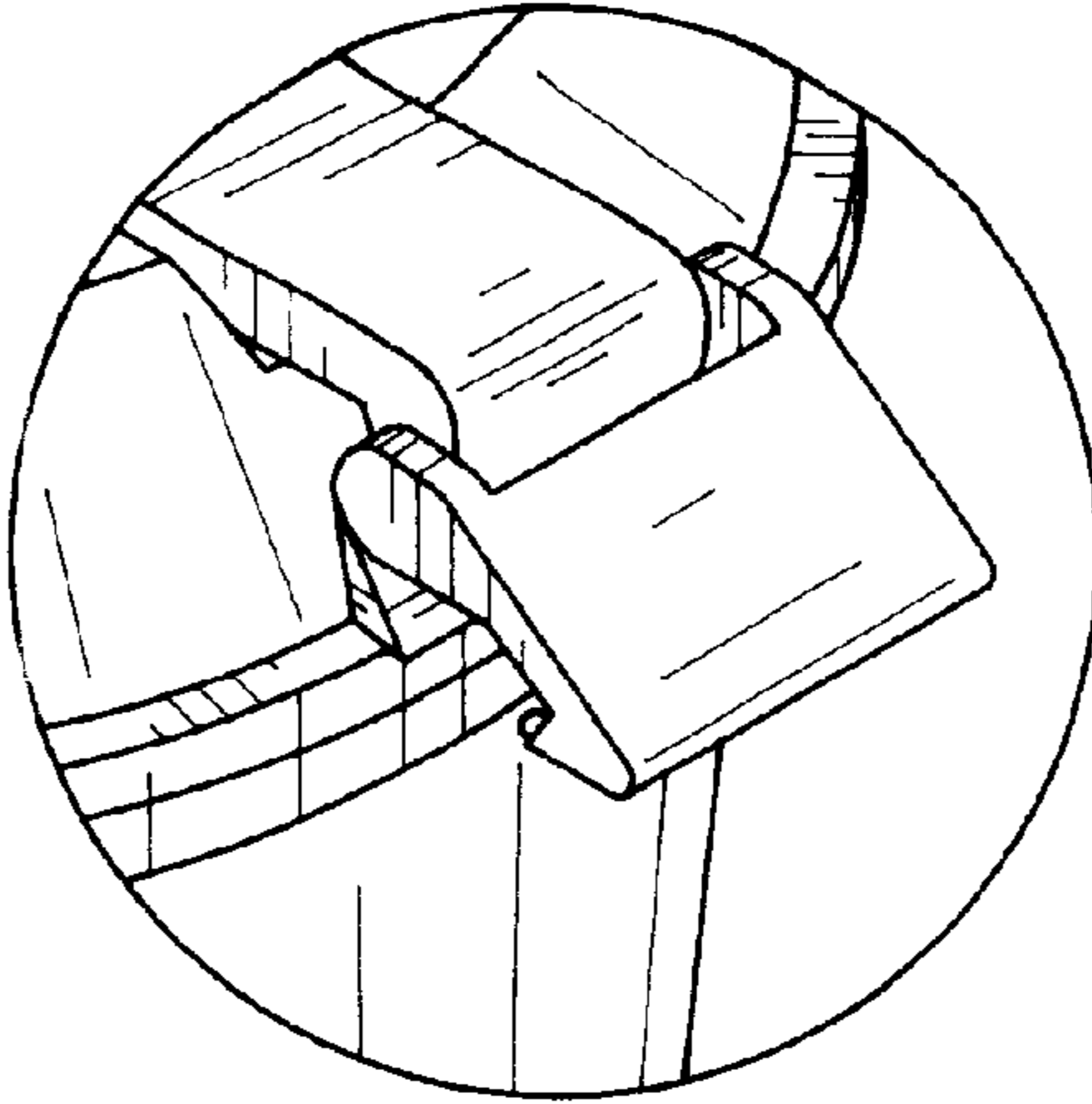


FIG. 9

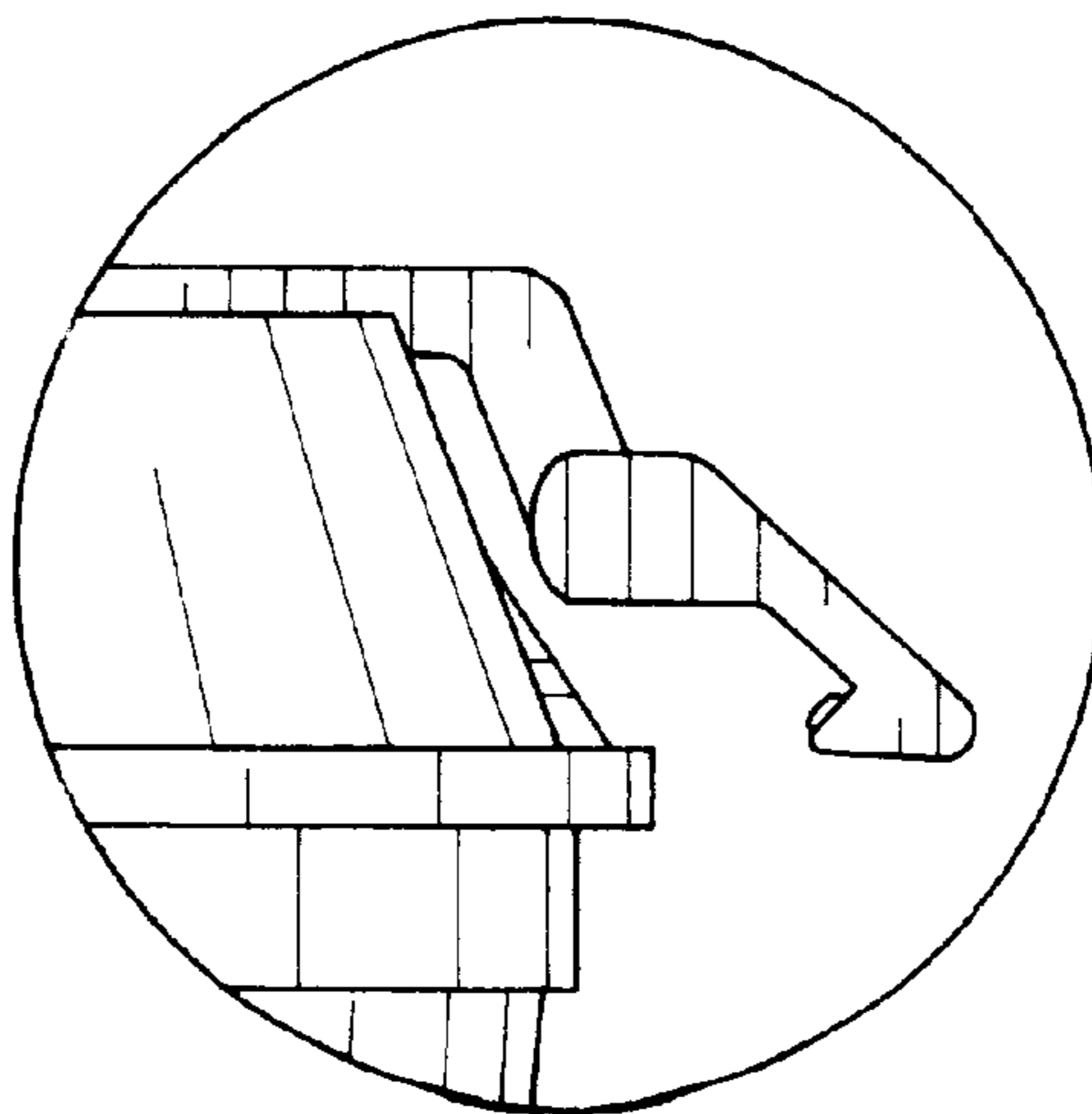


FIG. 10

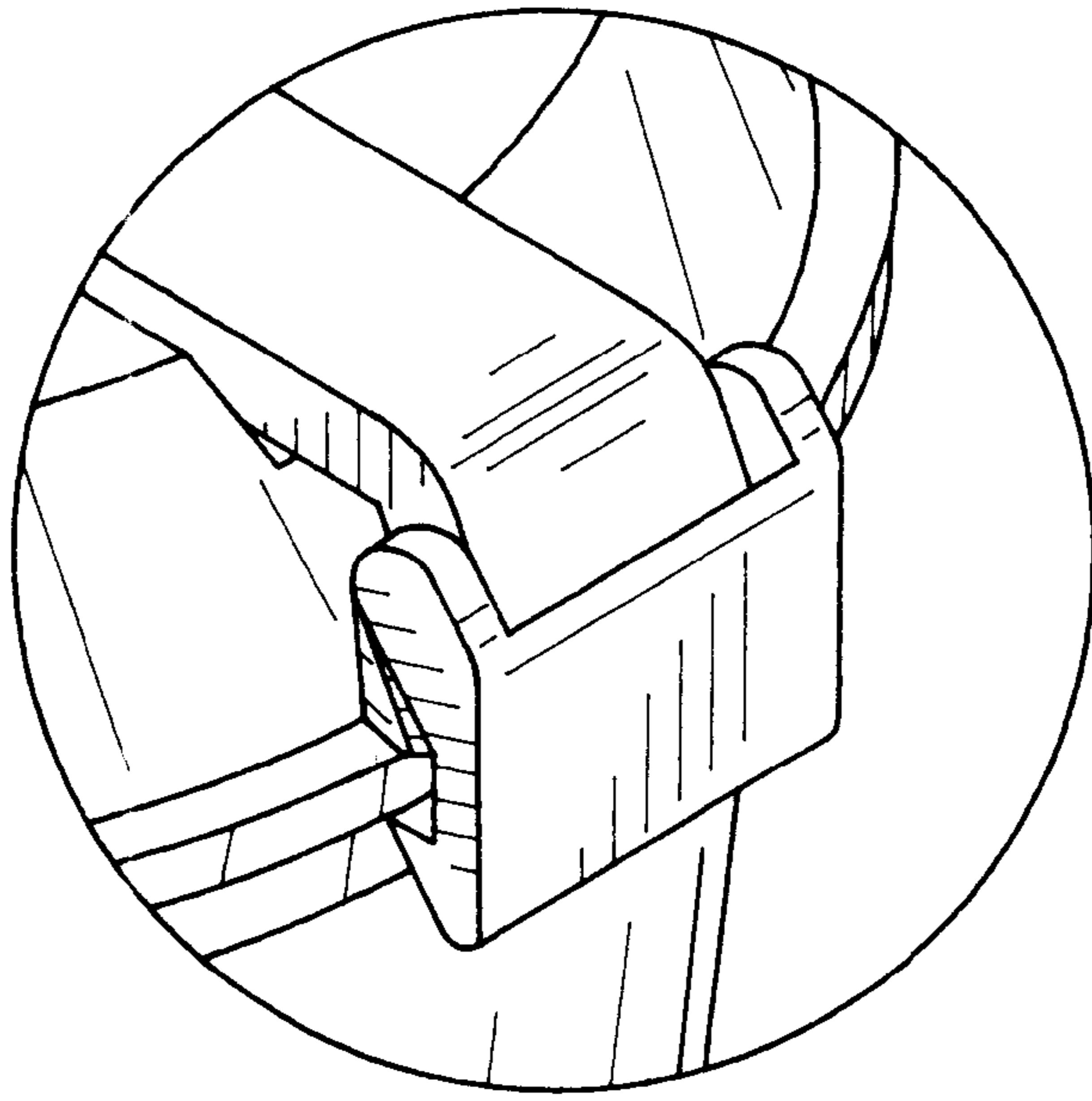


FIG. 11

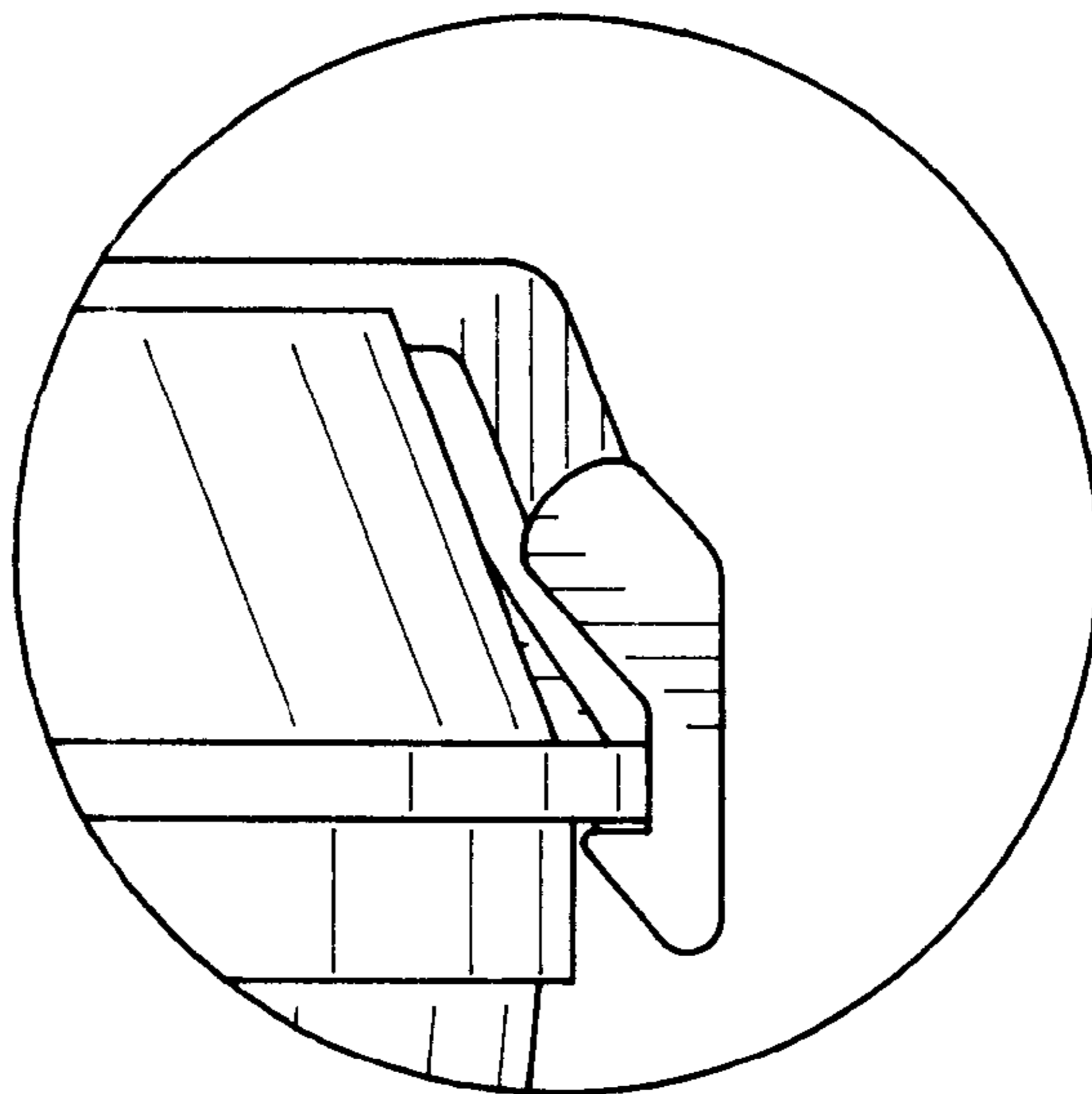


FIG. 12