



US00D418354S

**United States Patent** [19]  
**O'Rourke**

[11] **Patent Number: Des. 418,354**  
[45] **Date of Patent: \*\* Jan. 4, 2000**

[54] **FOLDING EXERCISE AND TUMBLING MAT**

5,669,680 9/1997 Dees ..... 5/417

[75] Inventor: **James P. O'Rourke**, Brentwood, Tenn.

*Primary Examiner*—Louis S Zarfaz  
*Assistant Examiner*—Monica A. Weingart  
*Attorney, Agent, or Firm*—Lucian Wayne Beavers; Waddey & Patterson

[73] Assignee: **Kidpower, Inc.**, Brentwood, Tenn.

[\*\*] Term: **14 Years**

[21] Appl. No.: **29/091,956**

[22] Filed: **Aug. 10, 1998**

[57] **CLAIM**

What is claimed is the ornamental design for a folding exercise and tumbling mat, as shown and described.

[51] **LOC (7) Cl.** ..... **06-11**

[52] **U.S. Cl.** ..... **D6/583; D6/582; D21/662**

[58] **Field of Search** ..... 26/582, 583; D21/662;  
15/215, 216, 217; 4/501, 582, 583; 5/417,  
418, 420

**DESCRIPTION**

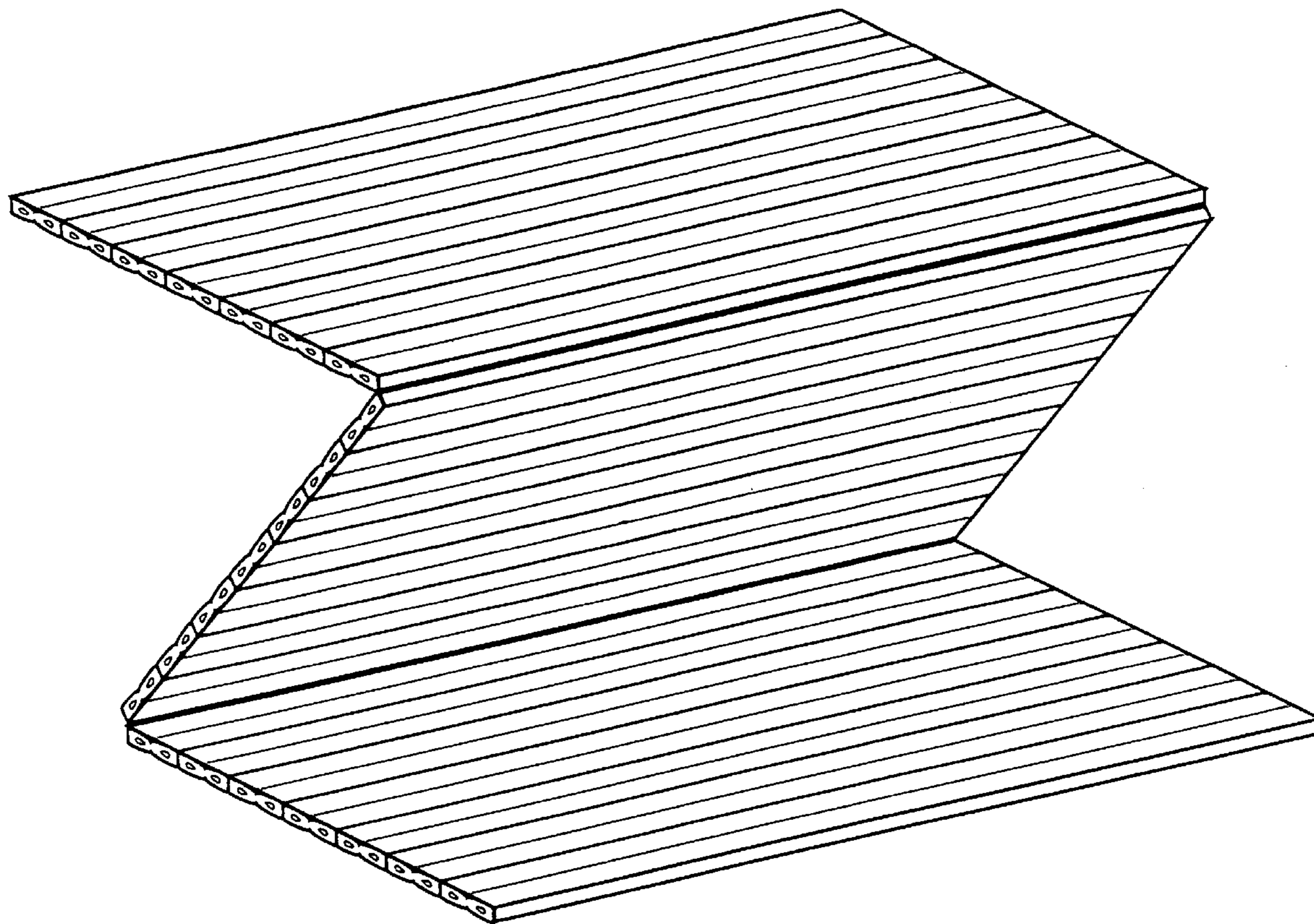
FIG. 1 is a perspective view showing the folding exercise and tumbling mat of applicant's invention;  
FIG. 2 is a top view of the folding exercise and tumbling mat of applicant's invention, the bottom being identical;  
FIG. 3 is a side elevation of the folding exercise and tumbling mat of applicant's invention, the opposite side being identical; and,  
FIG. 4 is an end view of the folding exercise and tumbling mat of applicant's invention, the opposite end being identical.

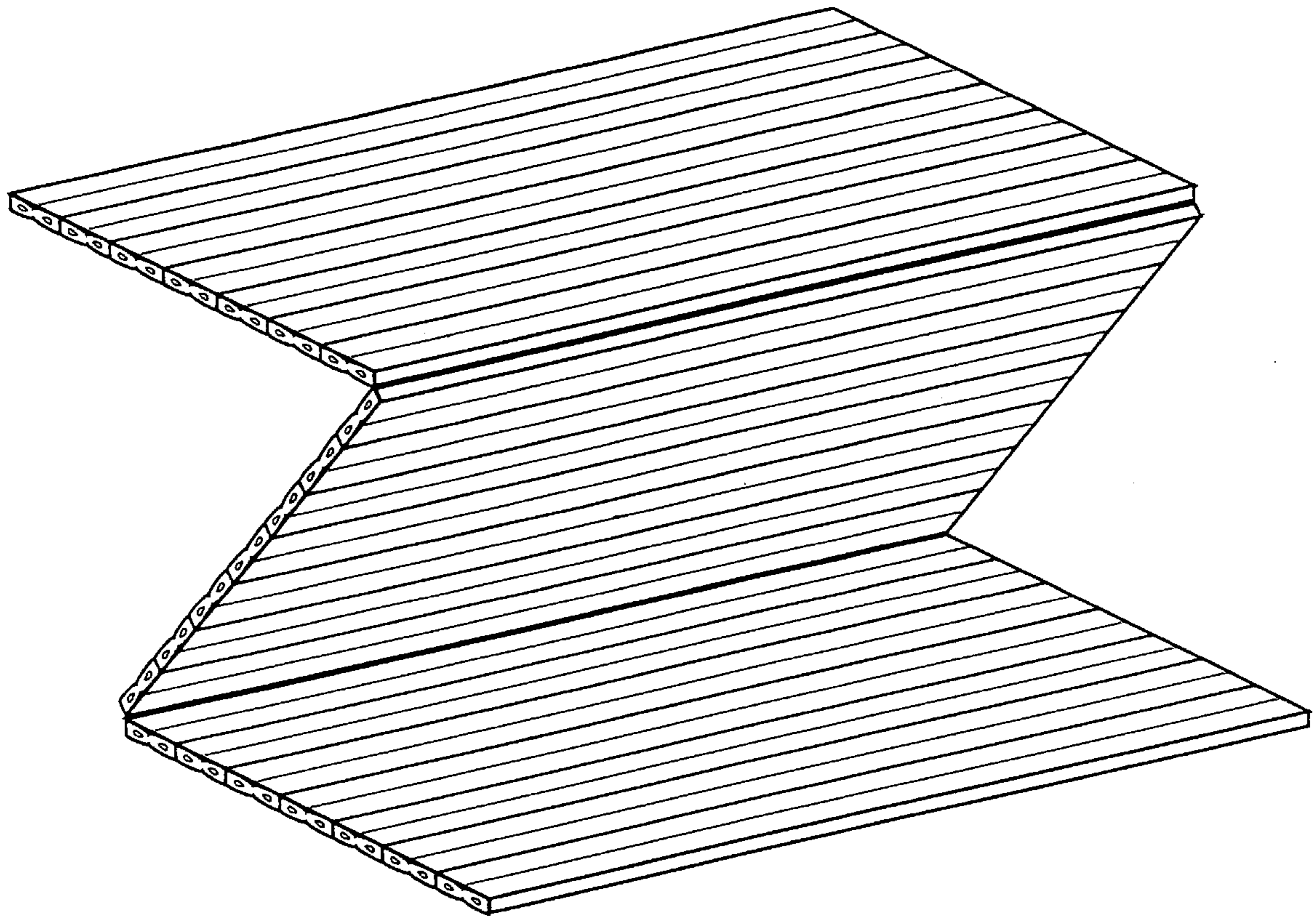
[56] **References Cited**

**U.S. PATENT DOCUMENTS**

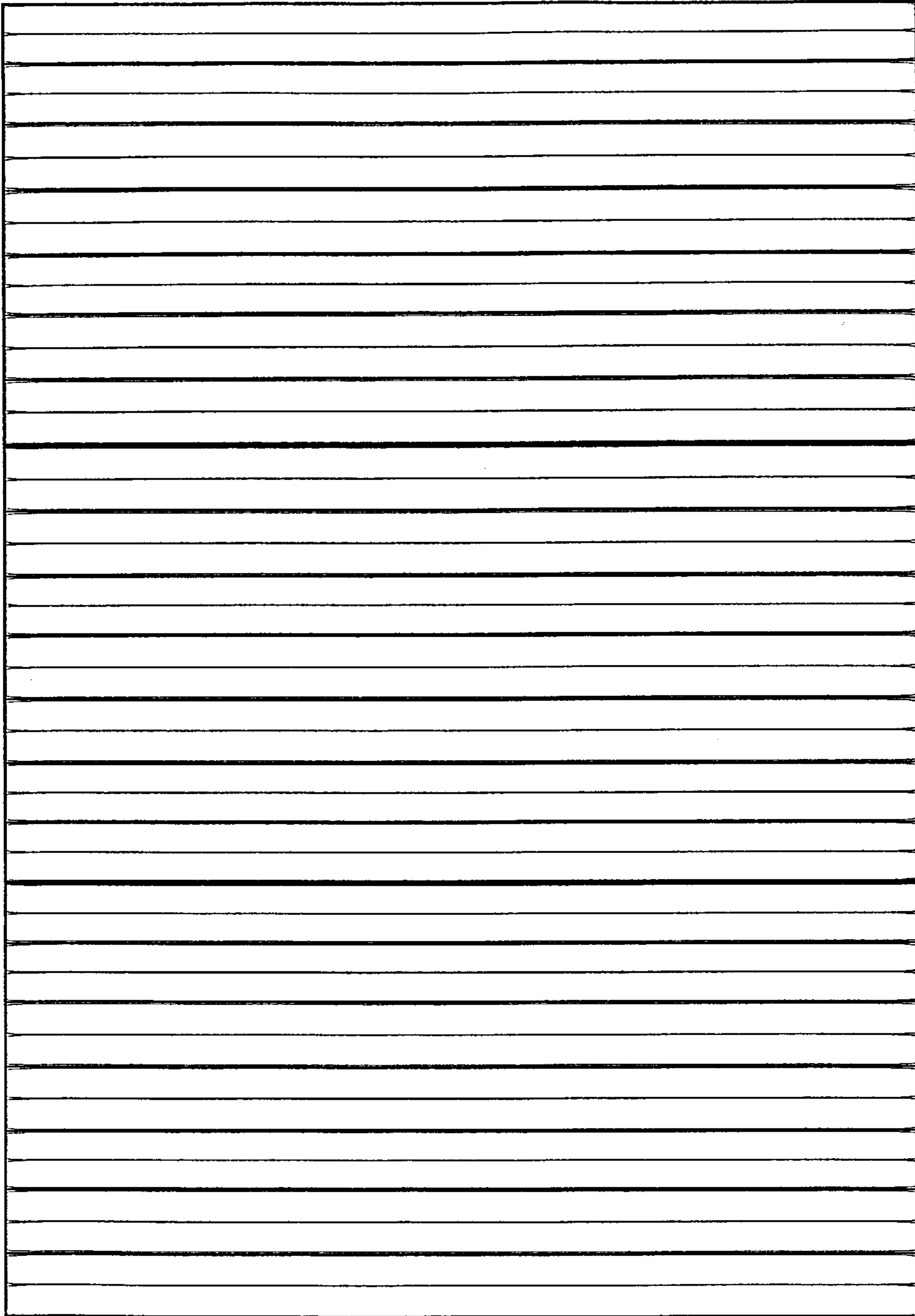
D. 310,460	9/1990	Vergnano	.....	D6/583
2,709,105	5/1955	Kramer	.....	4/583
4,801,005	1/1989	Hahn et al.	.....	15/215
5,066,001	11/1991	Wilkinson	.....	5/420
5,173,346	12/1992	Middleton	.....	5/420

**1 Claim, 3 Drawing Sheets**





*FIG. 1*



**FIG. 2**



**FIG. 3**



**FIG. 4**