



US00D418353S

United States Patent [19]
Cadorette

[11] **Patent Number: Des. 418,353**
[45] **Date of Patent: ** Jan. 4, 2000**

[54] **WINDOW VALANCE TRIM ELEMENT**

[75] Inventor: **Mario Cadorette**, Saint Therese,
Canada

[73] Assignee: **All-Teck Blinds P.T.B. Inc**, Montreal,
Canada

[**] Term: **14 Years**

[21] Appl. No.: **29/093,792**

[22] Filed: **Sep. 18, 1998**

[30] **Foreign Application Priority Data**

May 11, 1998 [CA] Canada 1998-1161

[51] **LOC (7) Cl.** **06-10**

[52] **U.S. Cl.** **D6/580; D25/119; D6/579**

[58] **Field of Search** **D6/575, 579, 580;**
D25/49, 119, 136; 160/19, 38, 39

[56] **References Cited**

U.S. PATENT DOCUMENTS

D. 326,724 6/1992 Boer D25/119
D. 363,697 10/1995 Shibao et al. D25/119

2,638,162 5/1953 Heitlinger et al. 160/38
2,705,820 4/1955 Torrence D25/119 X
3,008,581 11/1961 Kohler D25/119 X
5,505,245 4/1996 Badalamenti 160/38
5,515,901 5/1996 Hall 160/38

Primary Examiner—Stella Reid
Assistant Examiner—Monica A. Weingart
Attorney, Agent, or Firm—Sughrue, Mion, Zinn, Macpeak
& Seas, PLLC

[57] **CLAIM**

The ornamental design for a window valance trim element,
as shown and described.

DESCRIPTION

FIG. 1 is an enlarged perspective view of the window
valance trim element showing my new design; and,
FIG. 2 is a perspective view showing the trim installed
thereof.

FIGS. 1 and 2 are shown broken away in the views to
indicate indeterminate length.

The broken line showing of a valance, in FIG. 2, is for
illustrative purposes only and forms no part of the claimed
design.

1 Claim, 1 Drawing Sheet

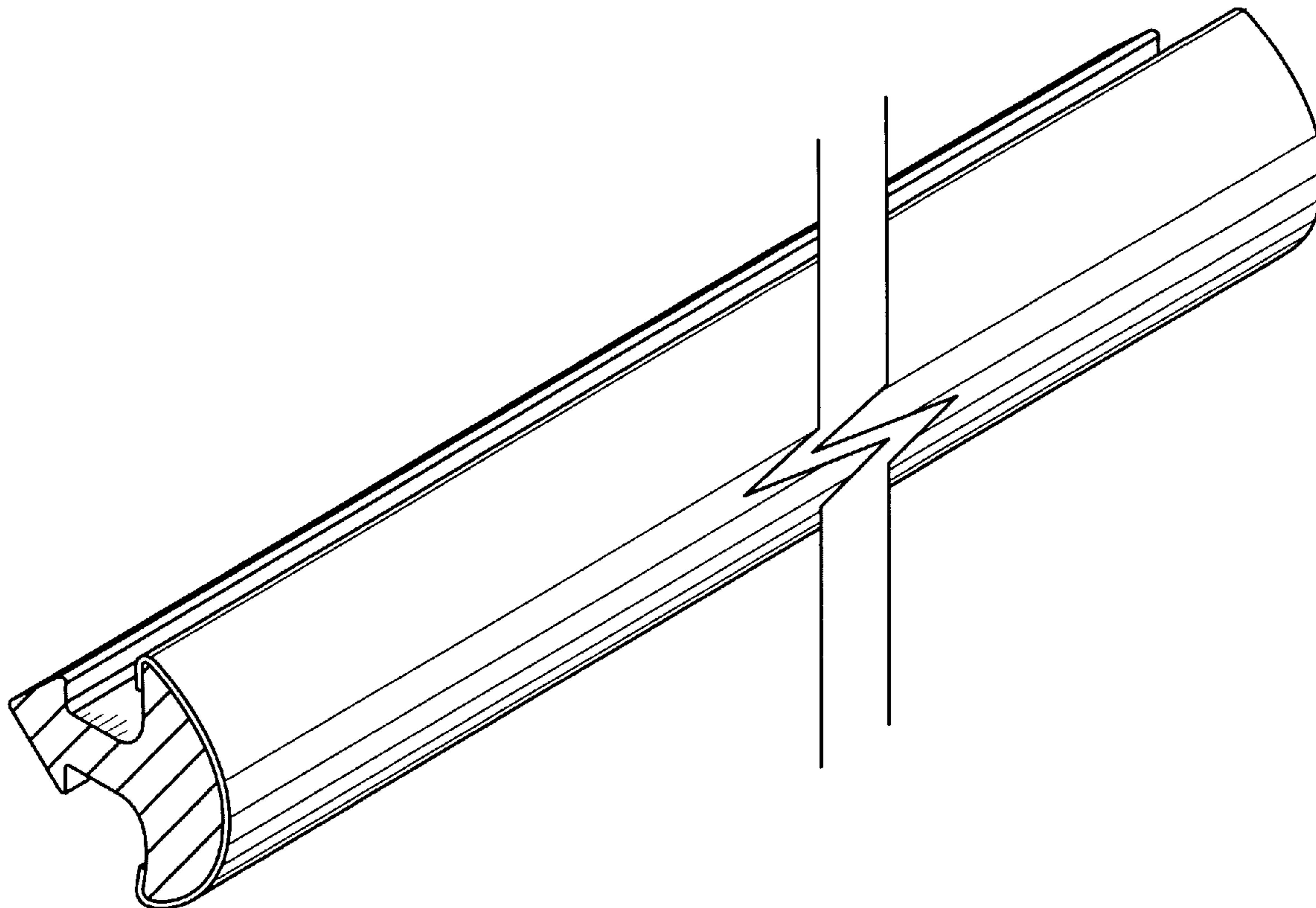


FIG. 1

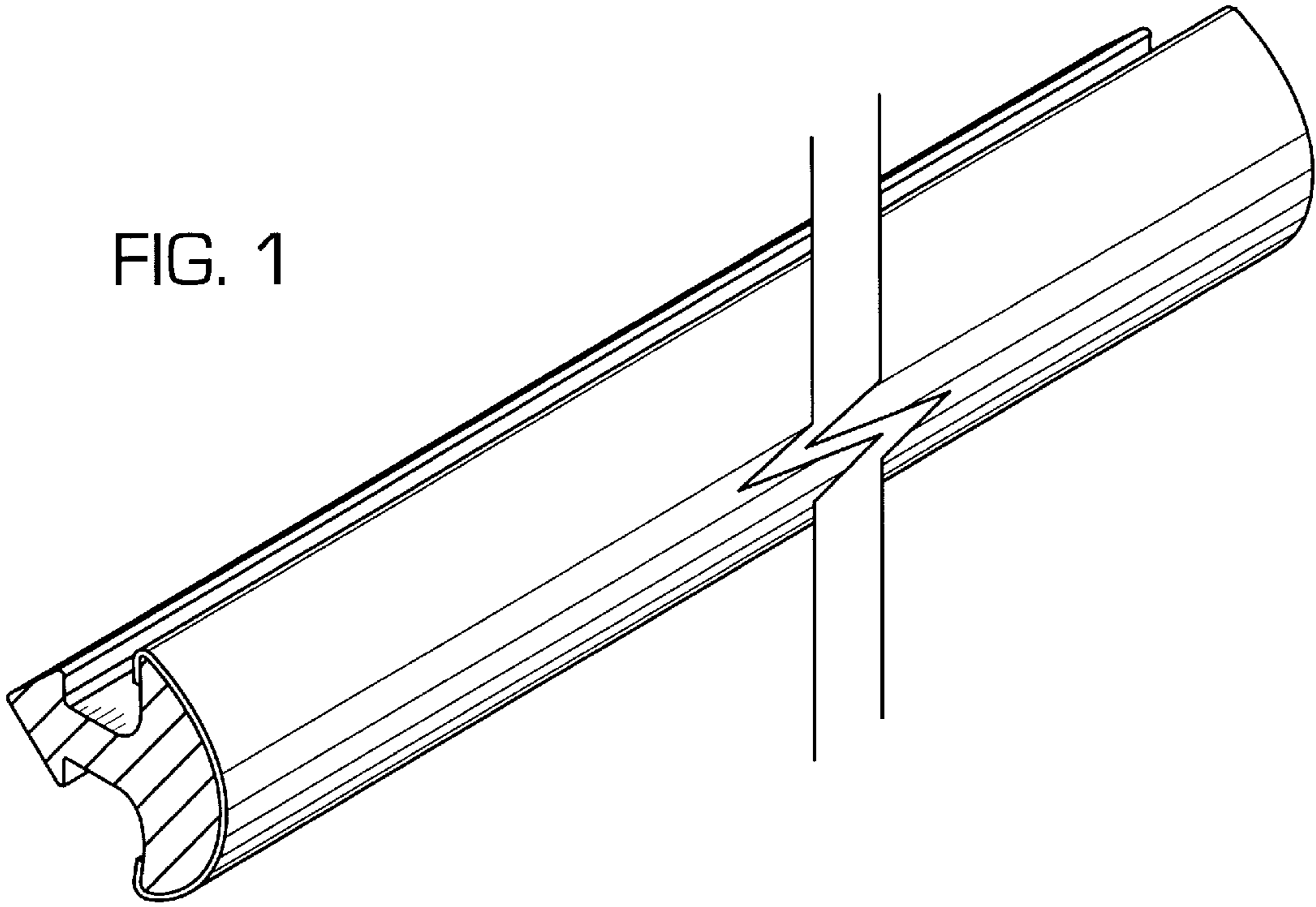


FIG. 2

