



US00D418352S

**United States Patent** [19]  
**Cadorette**

[11] **Patent Number: Des. 418,352**

[45] **Date of Patent: \*\* Jan. 4, 2000**

[54] **WINDOW VALANCE TRIM ELEMENT**

[75] Inventor: **Mario Cadorette**, Saint Therese,  
Canada

[73] Assignee: **All-Teck Blinds P.T.B. Inc.**, Quebec,  
Canada

[\*\*] Term: **14 Years**

[21] Appl. No.: **29/093,790**

[22] Filed: **Sep. 18, 1998**

[30] **Foreign Application Priority Data**

May 11, 1998 [CA] Canada ..... 1998-1163

[51] **LOC (7) Cl.** ..... **06-10**

[52] **U.S. Cl.** ..... **D6/580; D25/119; D6/579**

[58] **Field of Search** ..... **D6/575, 579, 580;**  
**D25/49, 119, 136; 160/19, 38, 39**

[56] **References Cited**

**U.S. PATENT DOCUMENTS**

- D. 326,724 6/1992 Boer ..... D25/119
- D. 363,697 10/1995 Shibao et al. .... D25/119

- 2,638,162 5/1953 Heitlinger et al. .... 160/38
- 2,705,820 4/1955 Torrence ..... D25/119 X
- 3,008,581 11/1961 Kohler ..... D25/119 X
- 5,505,245 4/1996 Badalamenti ..... 160/38
- 5,515,901 5/1996 Hall ..... 160/38

*Primary Examiner*—Stella Reid  
*Assistant Examiner*—Monica A. Weingart  
*Attorney, Agent, or Firm*—Sughrue, Mion, Zinn, Macpeak  
& Seas, PLLC

[57] **CLAIM**

The ornamental design for a window valance trim element,  
as shown and described.

**DESCRIPTION**

FIG. 1 is an enlarged perspective view of the window  
valance trim element showing my new design; and,  
FIG. 2 is a perspective view showing the trim installed  
thereof.

FIGS. 1 and 2 are shown broken away in the views to  
indicate indeterminate length.

The broken line showing of a valance, in FIG. 2, is for  
illustrative purposes only and forms no part of the claimed  
design.

**1 Claim, 1 Drawing Sheet**

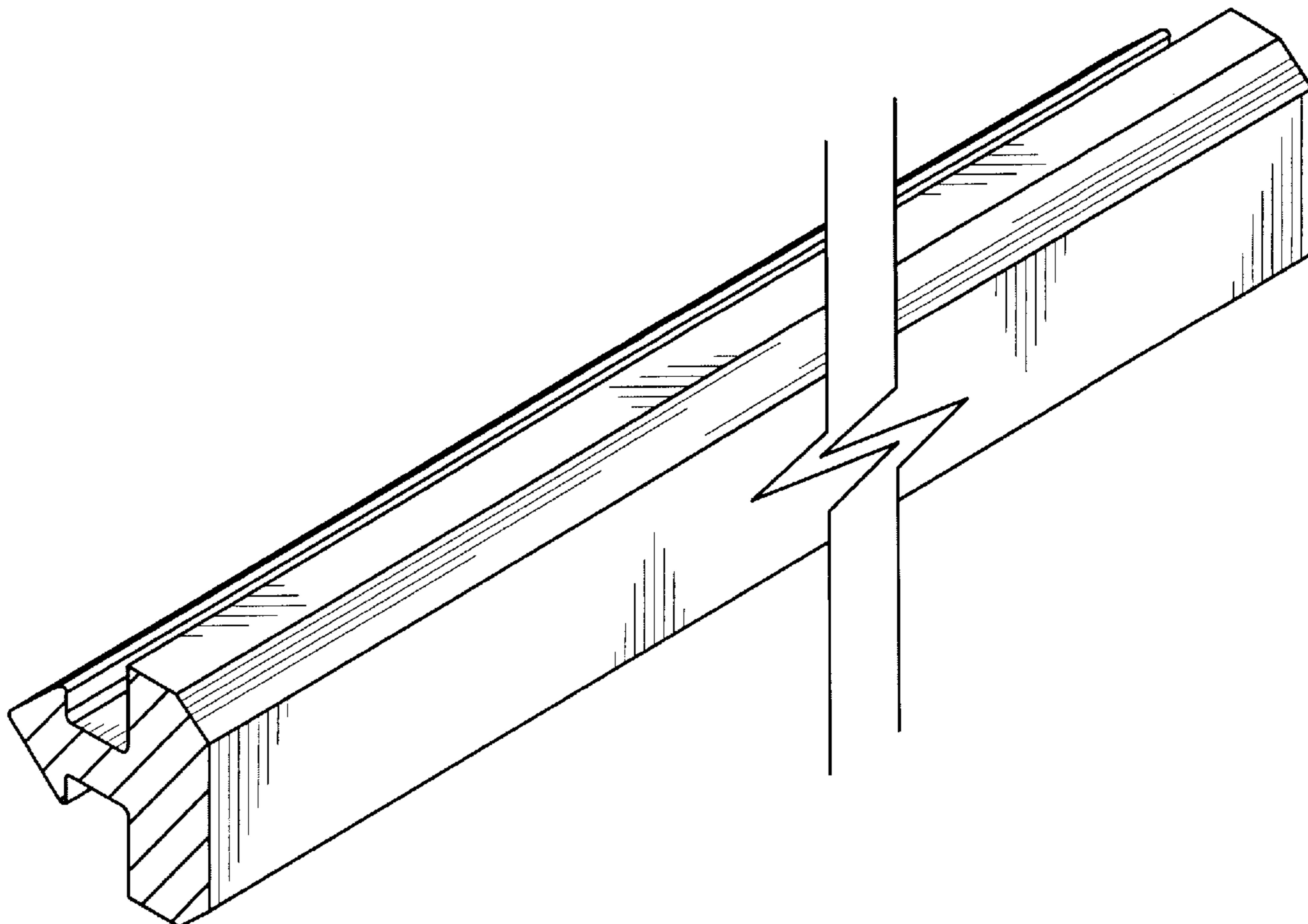


FIG. 1

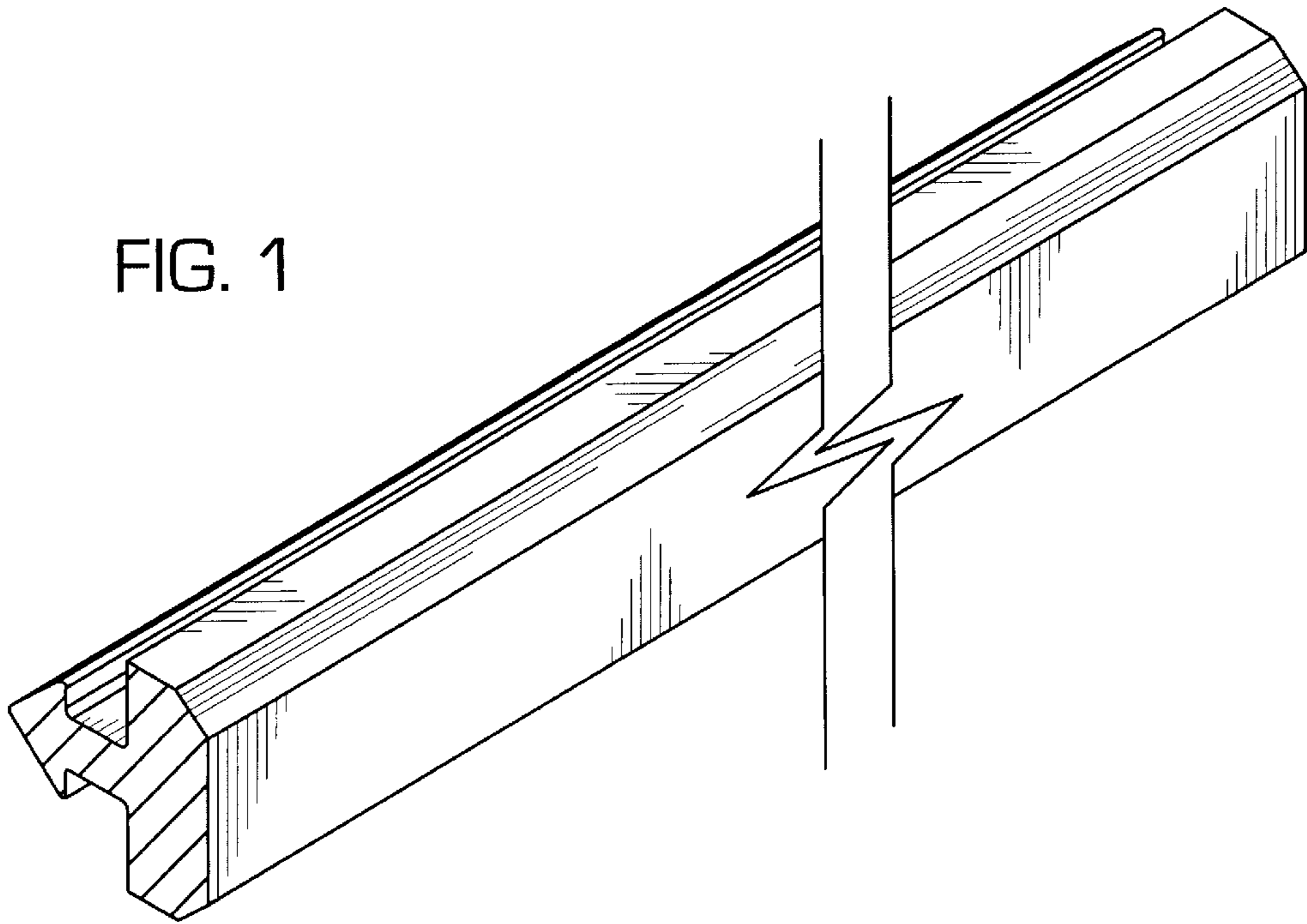


FIG. 2

