



US00D418351S

United States Patent [19]

[11] Patent Number: **Des. 418,351**

Lee

[45] Date of Patent: **** Jan. 4, 2000**

[54] **WALL HANGER**

[56] **References Cited**

[75] Inventor: **Shek Tang Lee**, New Territories, The Hong Kong Special Administrative Region of the People's Republic of China

U.S. PATENT DOCUMENTS

D. 299,687 2/1989 Handler et al. D6/567 X
D. 393,142 4/1998 Weisburn et al. D6/567
4,411,868 10/1983 Novack 211/60.1
4,966,288 10/1990 Kirkham 211/60.1

[73] Assignee: **Hung Sang Metal Plastic Factory Ltd.**, New Territories, The Hong Kong Special Administrative Region of the People's Republic of China

Primary Examiner—Brian N. Vinson
Attorney, Agent, or Firm—Leydig, Voit & Mayer, Ltd.

[**] Term: **14 Years**

[57] **CLAIM**

The ornamental design for a wall hanger, as shown and described.

[21] Appl. No.: **29/102,333**

DESCRIPTION

[22] Filed: **Mar. 22, 1999**

FIG. 1 is a front view of a wall hanger showing my new design;

[51] **LOC (7) Cl.** **08-08**

FIG. 2 is a top plan view thereof;

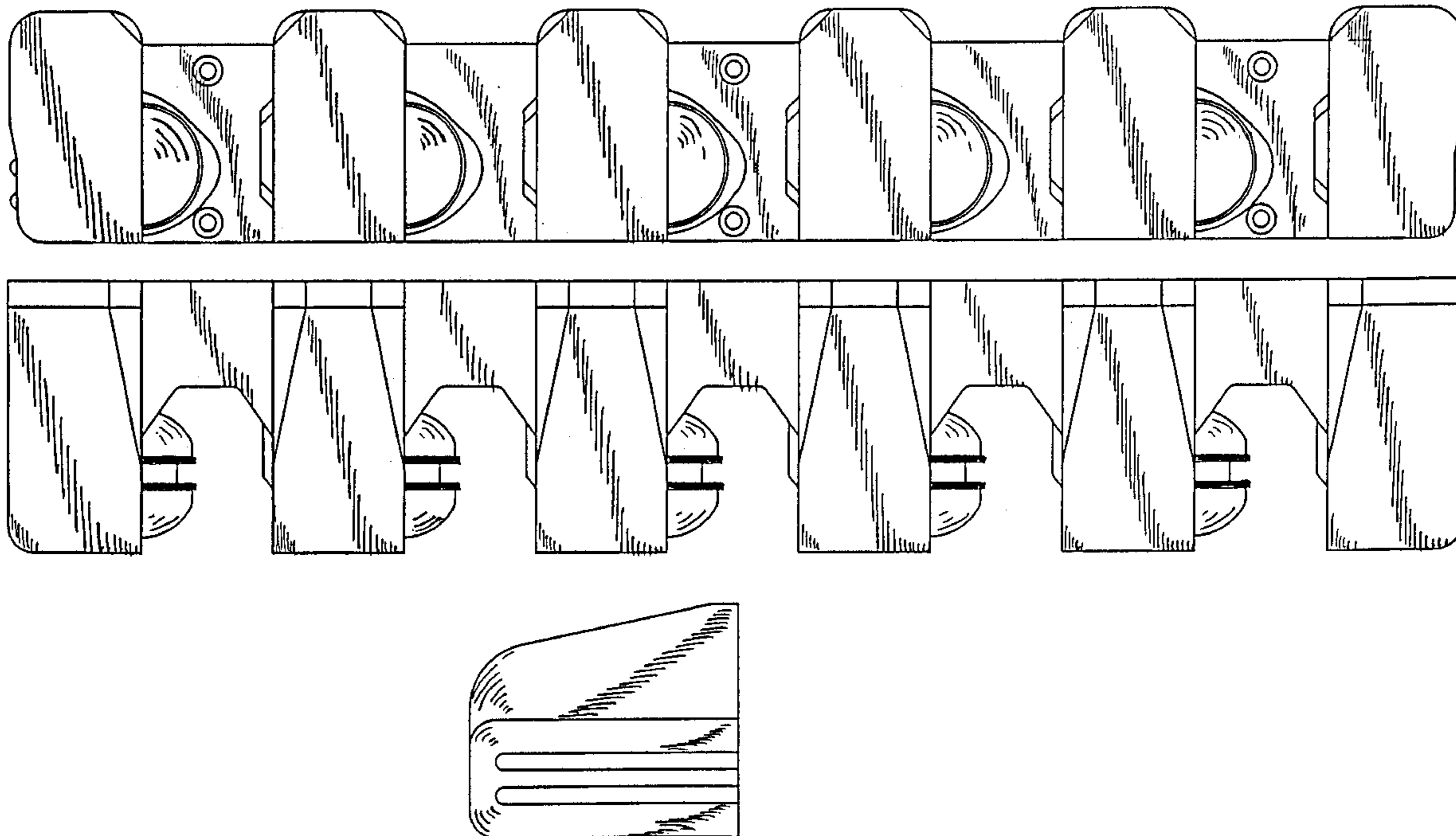
[52] **U.S. Cl.** **D6/567**

FIG. 3 is a rear elevational view thereof; and,

[58] **Field of Search** D6/552, 553, 567,
D6/569-571; 211/60.1, 13.1, 59.1, 74, 70.6,
86; 312/309.1

FIG. 4 is a right side elevational view thereof, with the left side being a mirror image.

1 Claim, 2 Drawing Sheets



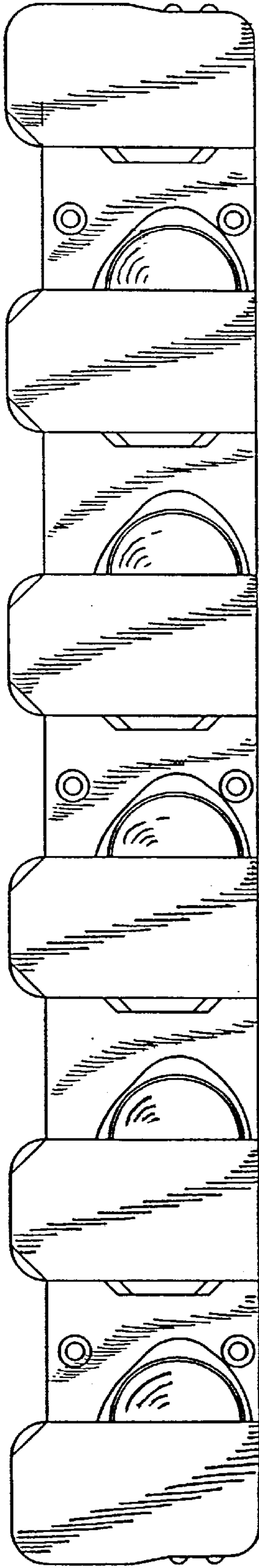


FIG. 1

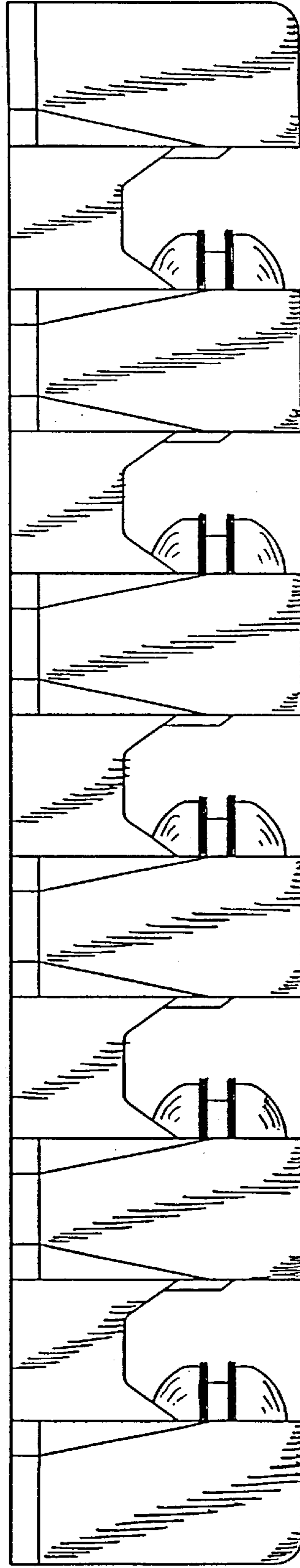


FIG. 2

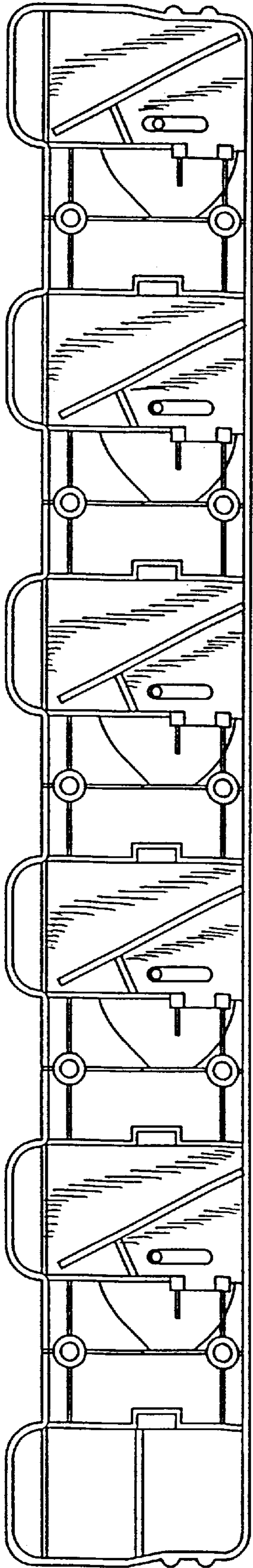


FIG. 3

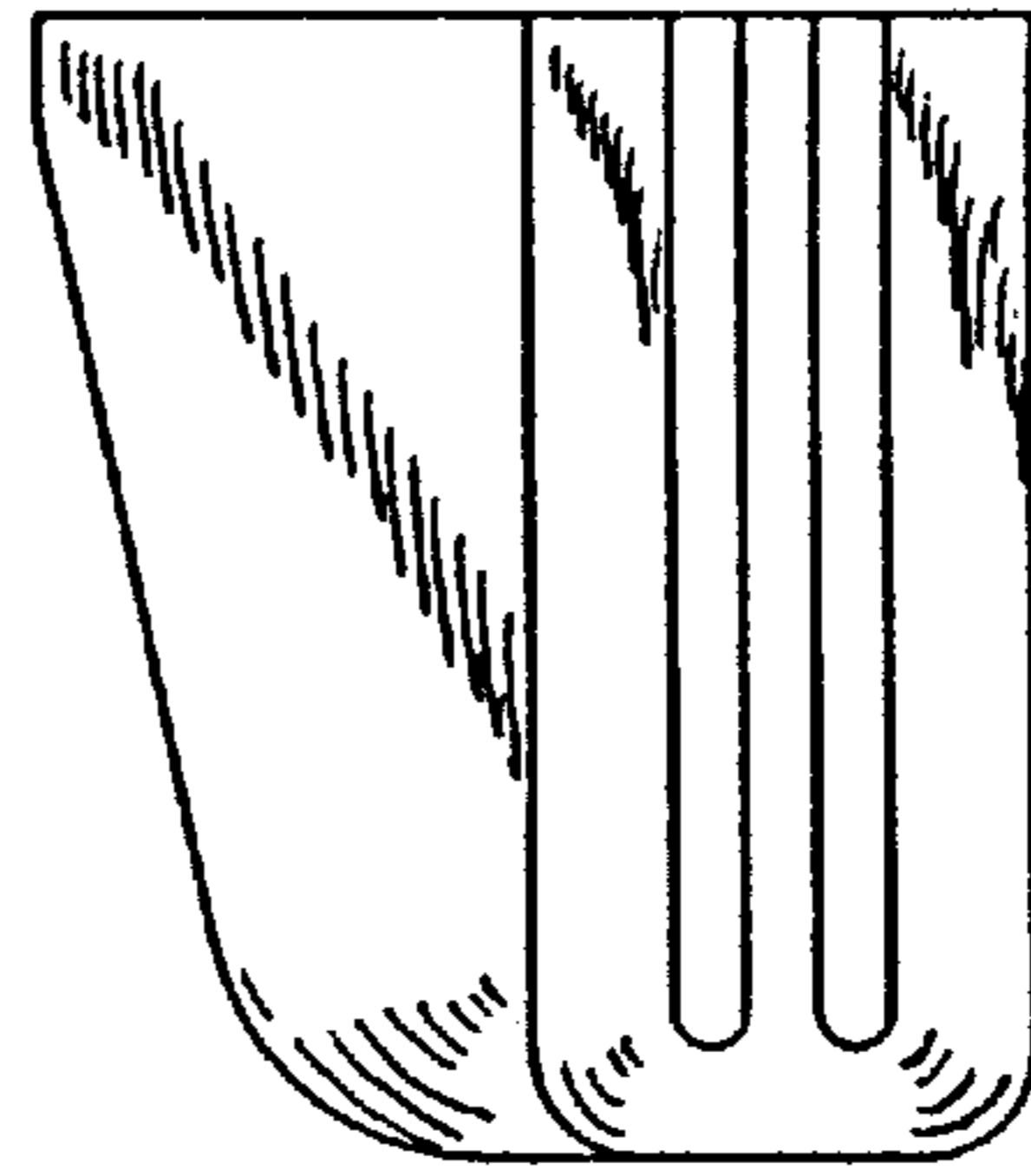


FIG. 4