



US00D418350S

# United States Patent [19] Capps

[11] **Patent Number: Des. 418,350**  
[45] **Date of Patent: \*\* Jan. 4, 2000**

[54] **HOLDER FOR DRINKS AND HOUSEHOLD ITEMS**

5,413,228 5/1995 Le Clerc ..... 211/13.1

[75] Inventor: **Robert E. Capps**, Santa Rose Beach, Fla.

*Primary Examiner—Kay H. Chin*  
*Attorney, Agent, or Firm—Carter & Schnedler, P. A.*

[73] Assignee: **Blue Ridge International Products Company**, Freeport, Fla.

[57] **CLAIM**

The ornamental design for a holder for drinks and household items, as shown and described.

[\*\*] Term: **14 Years**

**DESCRIPTION**

[21] Appl. No.: **29/081,459**

FIG. 1 is a front elevational view of a holder for drinks and household items showing my new design, the broken lines are for illustrative purposes only and form no part of the claimed design;

[22] Filed: **Jan. 2, 1998**

[51] **LOC (7) Cl.** ..... **08-08**

[52] **U.S. Cl.** ..... **D6/567; D6/563**

[58] **Field of Search** ..... **D6/512, 552, 553, D6/567, 563; 211/13.1, 14, 85.7**

FIG. 2 is a rear elevational view thereof;

FIG. 3 is a left side elevational view thereof;

FIG. 4 is a right side elevational view thereof;

FIG. 5 is a top plan view thereof; and,

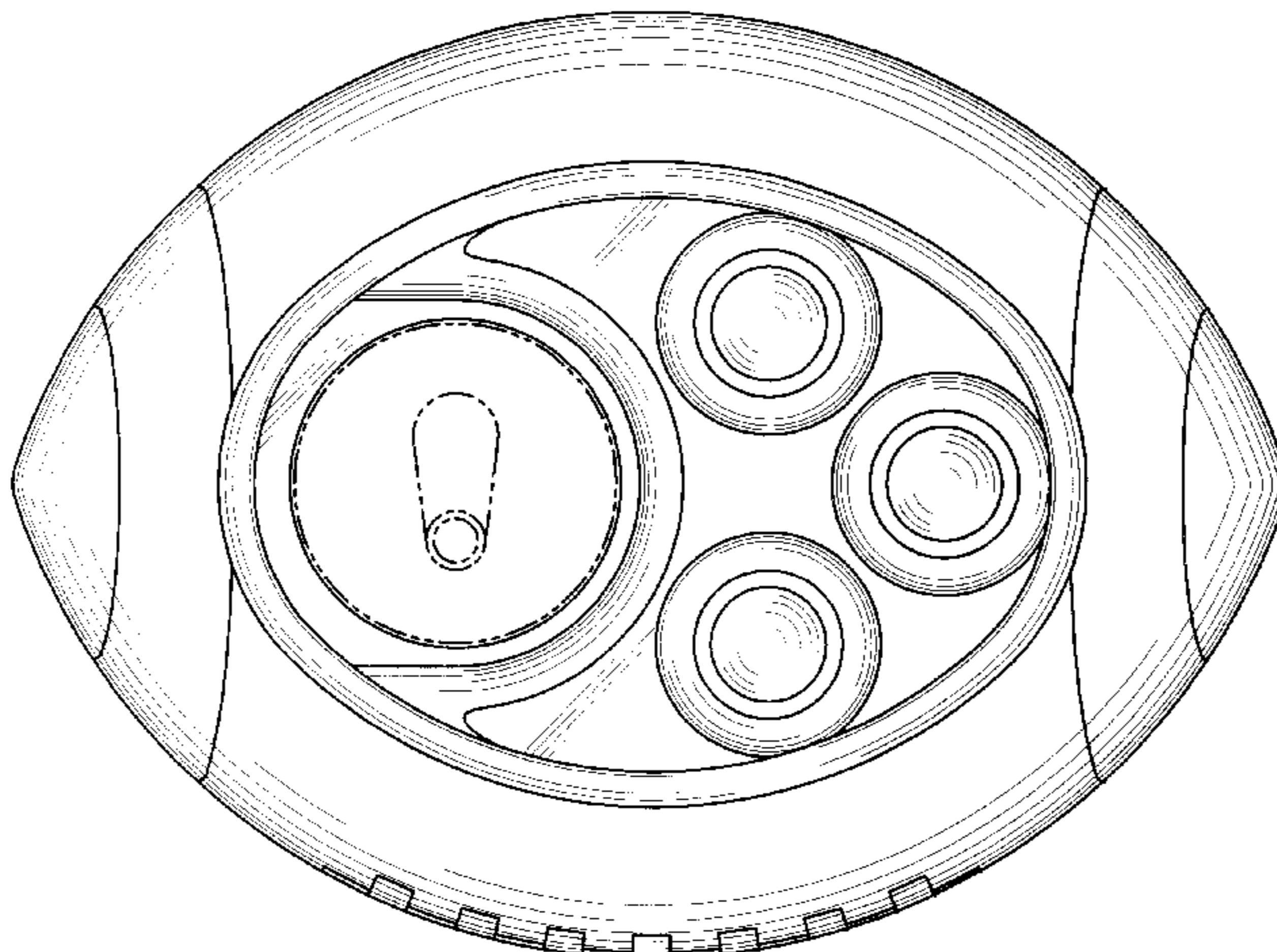
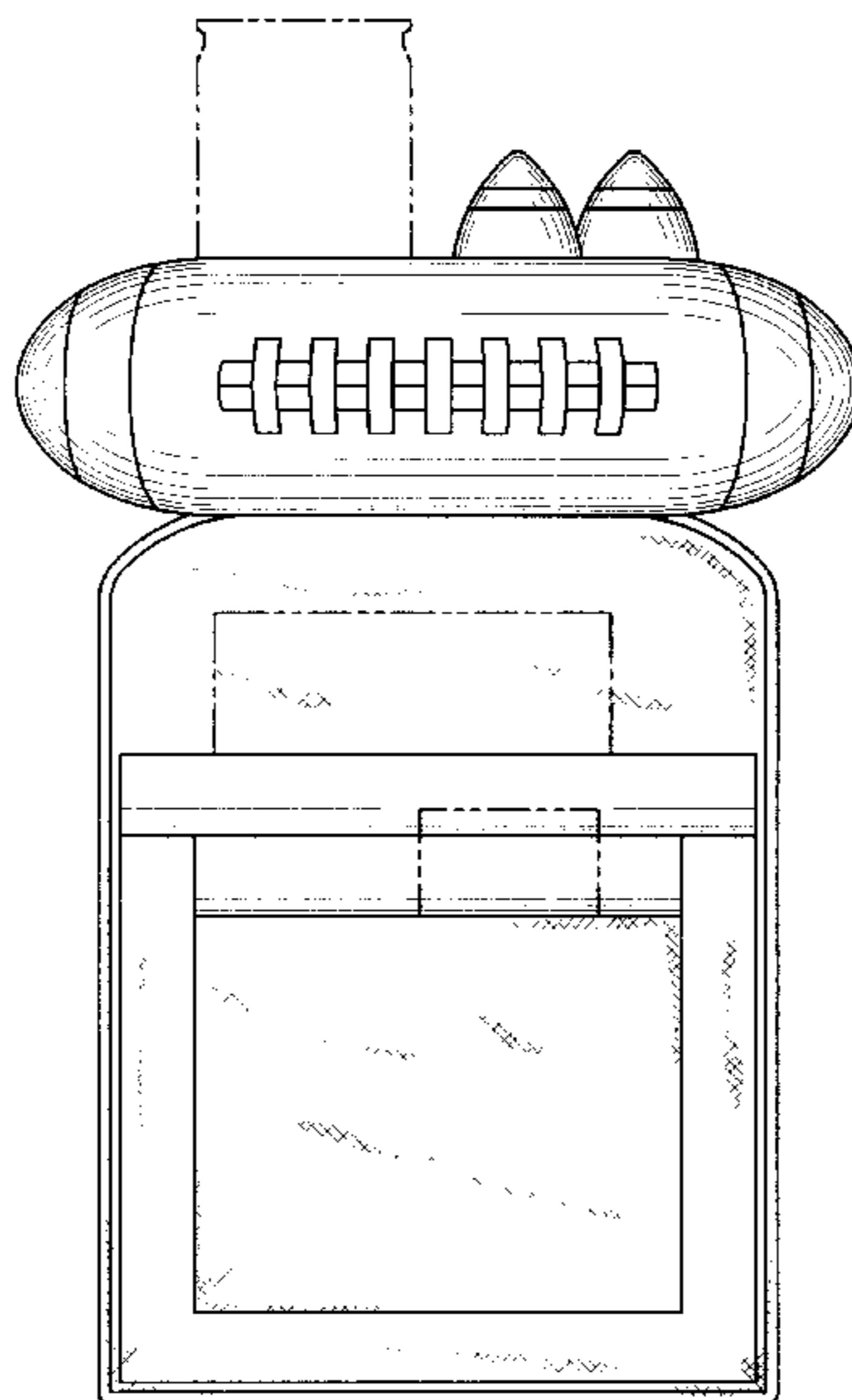
FIG. 6 is a bottom plan view thereof.

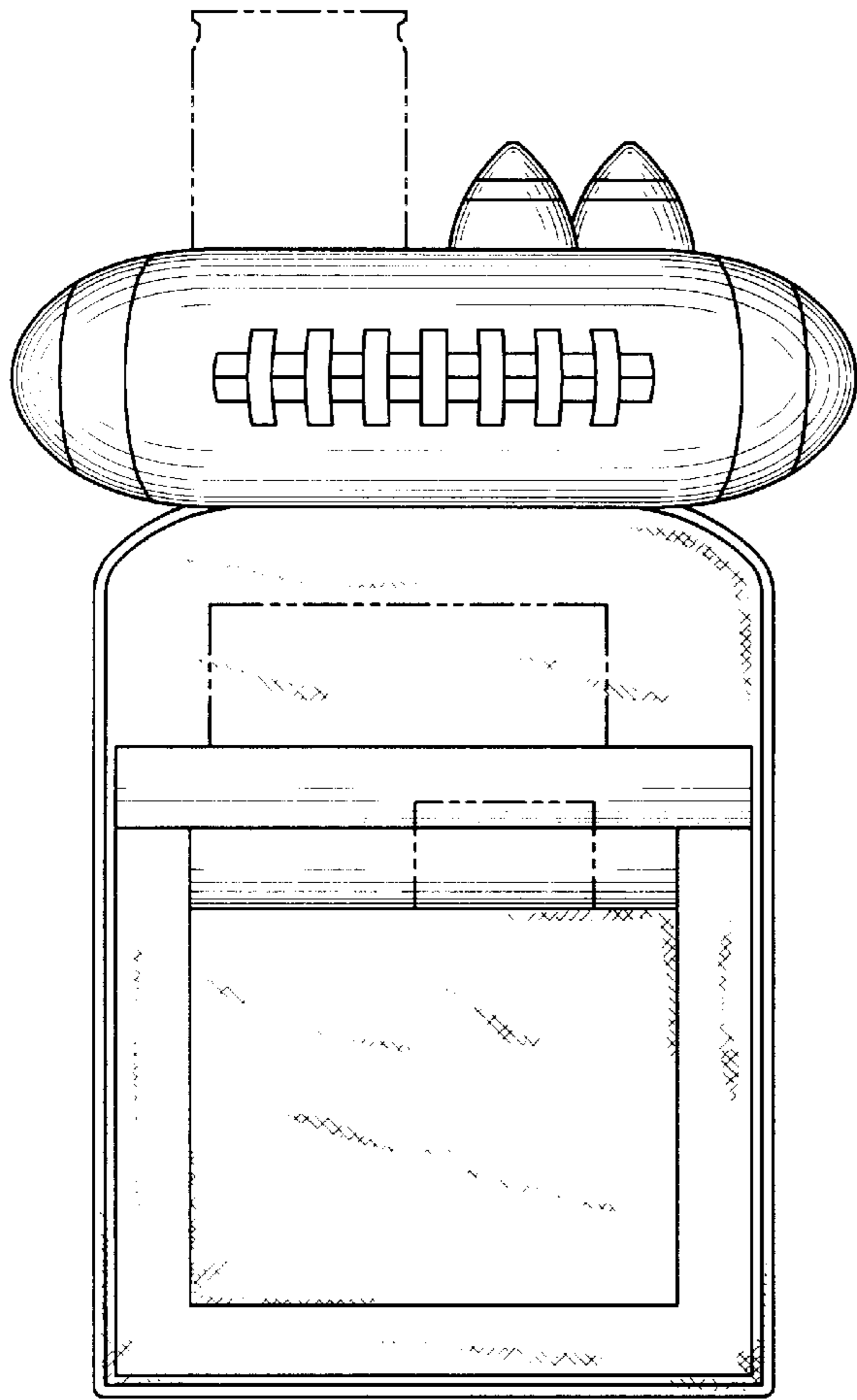
[56] **References Cited**

**U.S. PATENT DOCUMENTS**

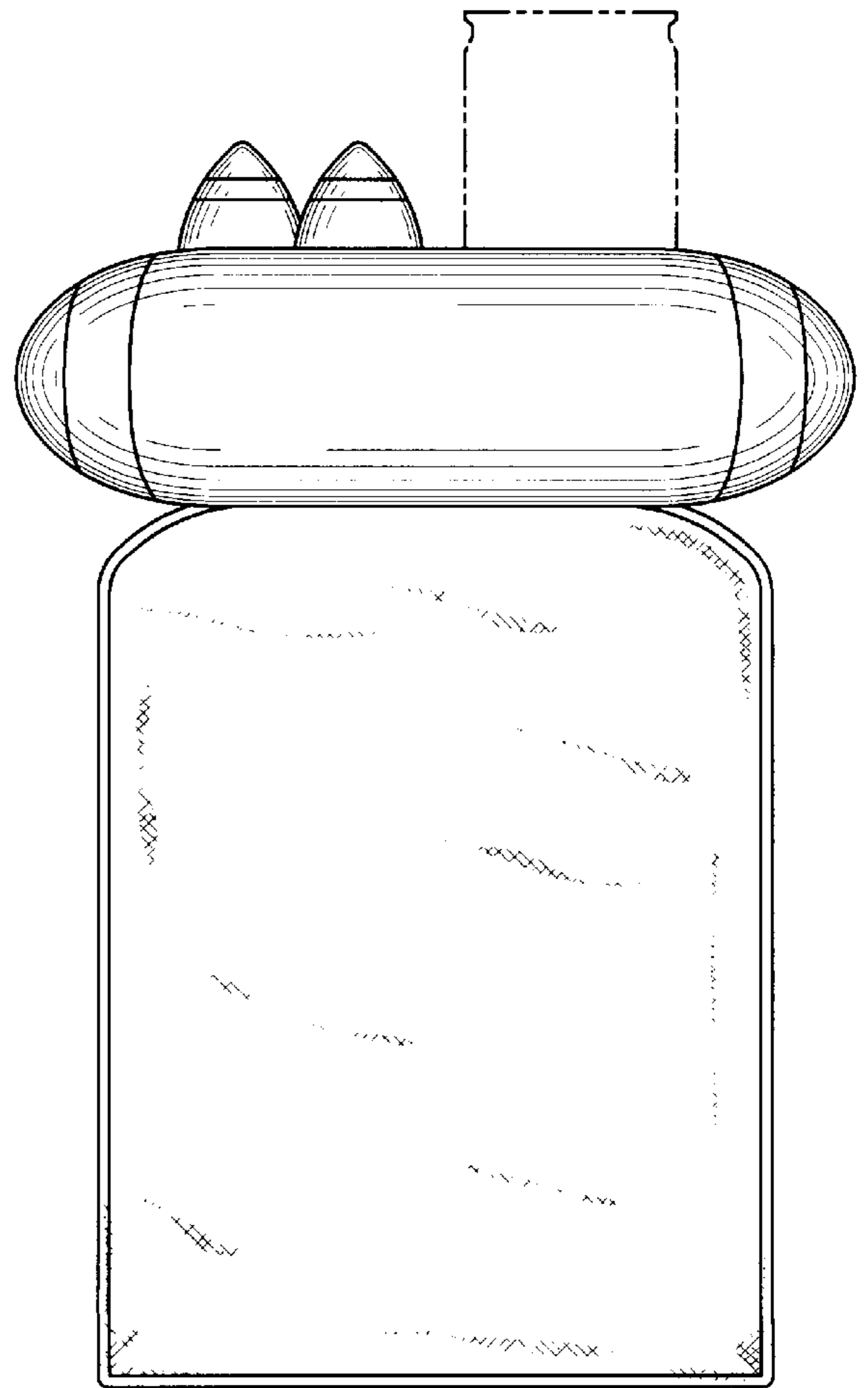
D. 314,302 2/1991 Snow ..... D6/552

**1 Claim, 3 Drawing Sheets**

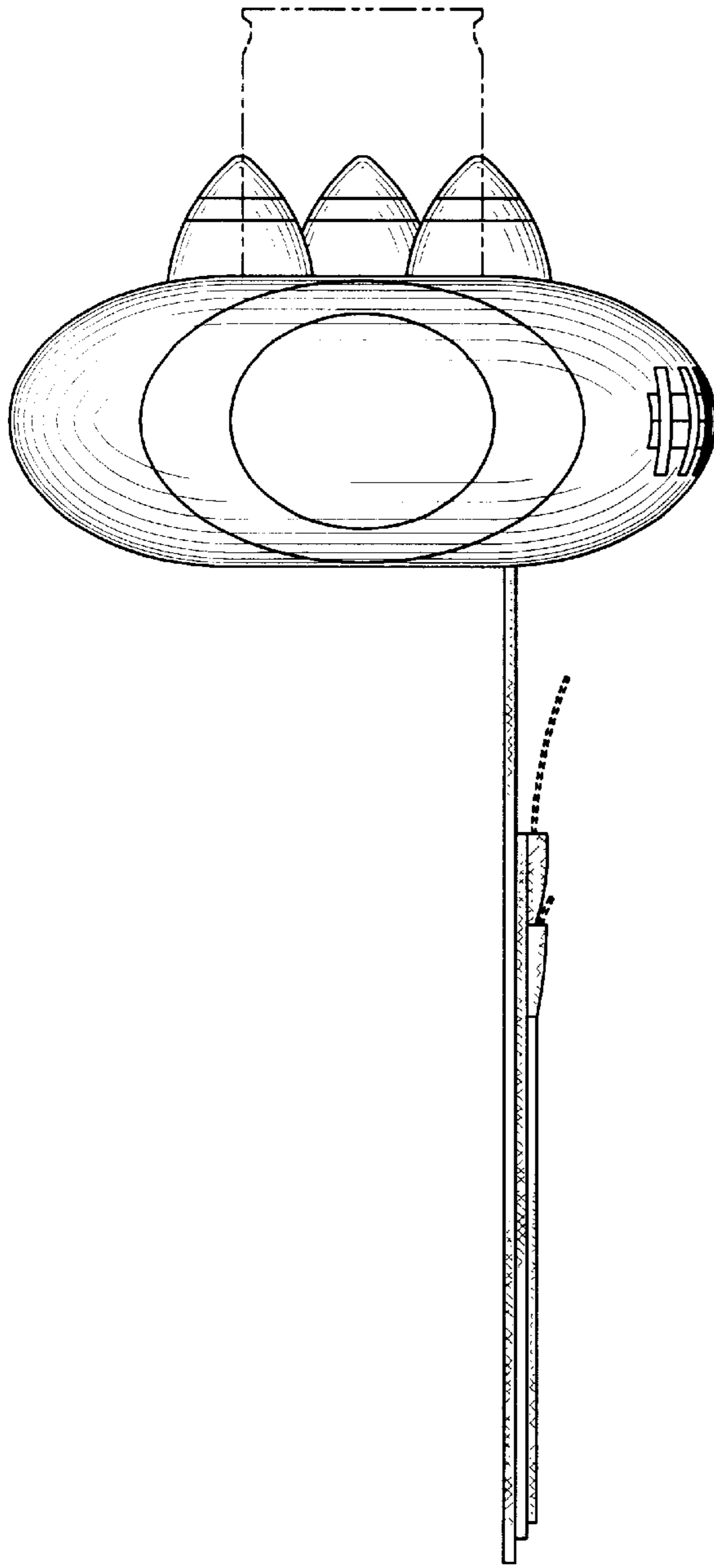




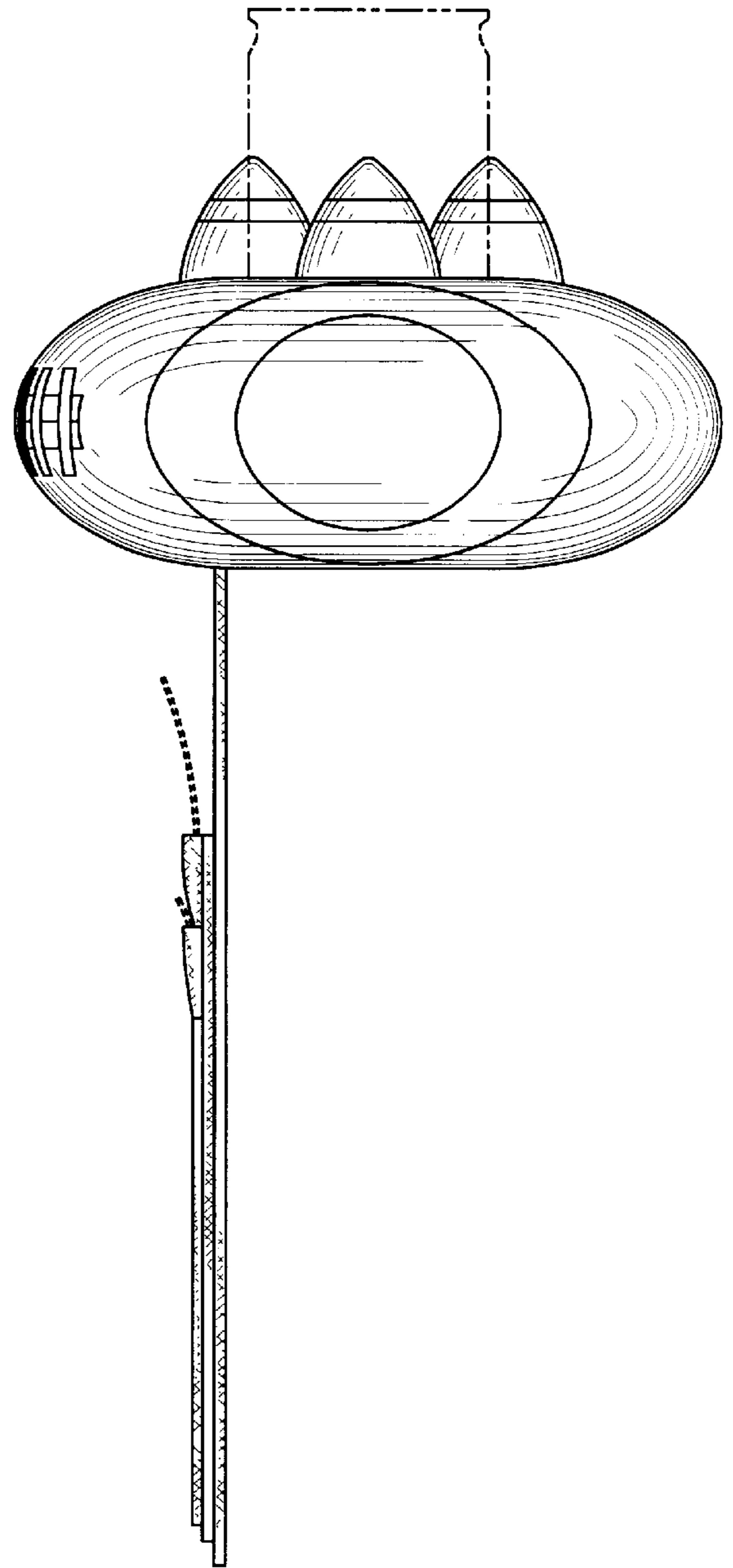
*Fig. 1*



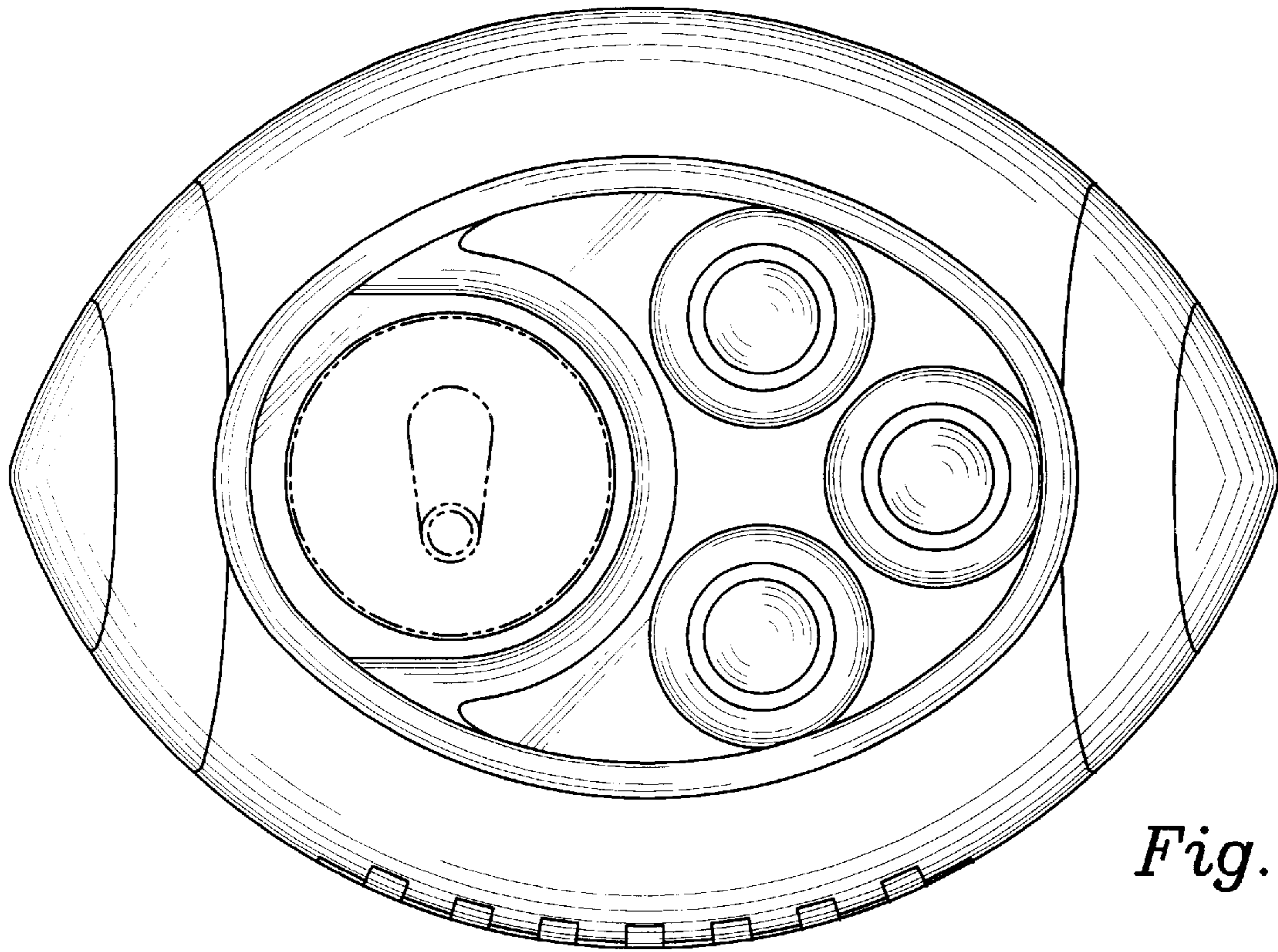
*Fig. 2*



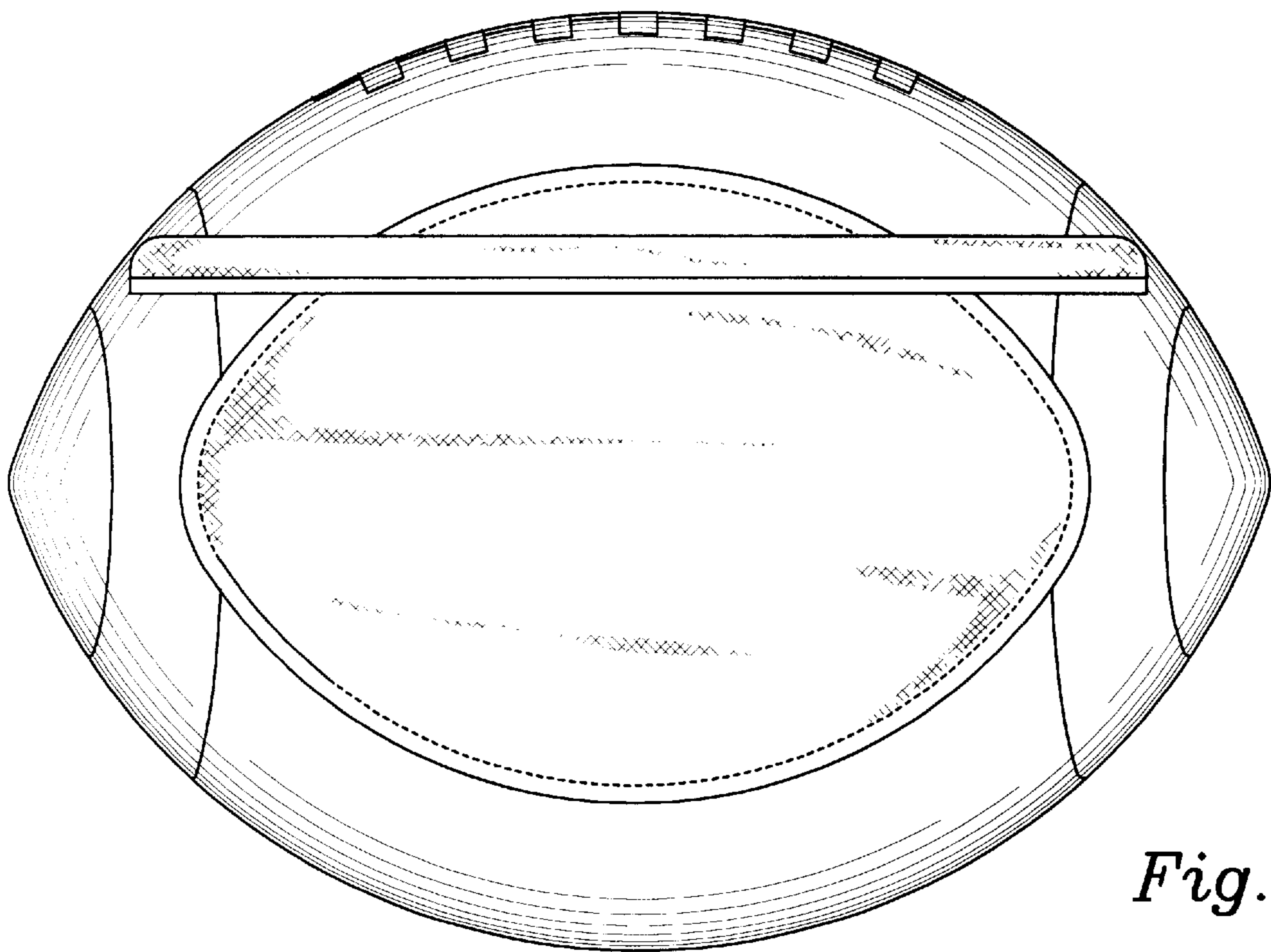
*Fig. 3*



*Fig. 4*



*Fig. 5*



*Fig. 6*