



US00D418348S

United States Patent [19] Thibadeau

[11] **Patent Number: Des. 418,348**
[45] **Date of Patent: ** Jan. 4, 2000**

[54] **BOOK DISPLAY CABINET**

[75] Inventor: **Robert H. Thibadeau**, Pittsburgh, Pa.

[73] Assignee: **Antique Books, Inc.**, Pittsburgh, Pa.

[**] Term: **14 Years**

[21] Appl. No.: **29/092,943**

[22] Filed: **Aug. 31, 1998**

[51] **LOC (7) Cl.** **08-08**

[52] **U.S. Cl.** **D6/559; D6/470**

[58] **Field of Search** D6/552, 559, 561,
D6/512, 470, 449, 396; 211/13.1, 71.01,
85.26, 86.01, 87.01; 312/245; D9/418

[56] **References Cited**

U.S. PATENT DOCUMENTS

D. 366,796	2/1996	Crowley	D6/559
D. 381,839	8/1997	Dorigo	D6/470
D. 398,792	9/1998	Van Stolk	D6/470
4,979,625	12/1990	Johnson et al.	211/13.1
5,758,936	6/1998	Baughan	312/245

Primary Examiner—Kay H. Chin
Attorney, Agent, or Firm—Kirkpatrick & Lockhart LLP

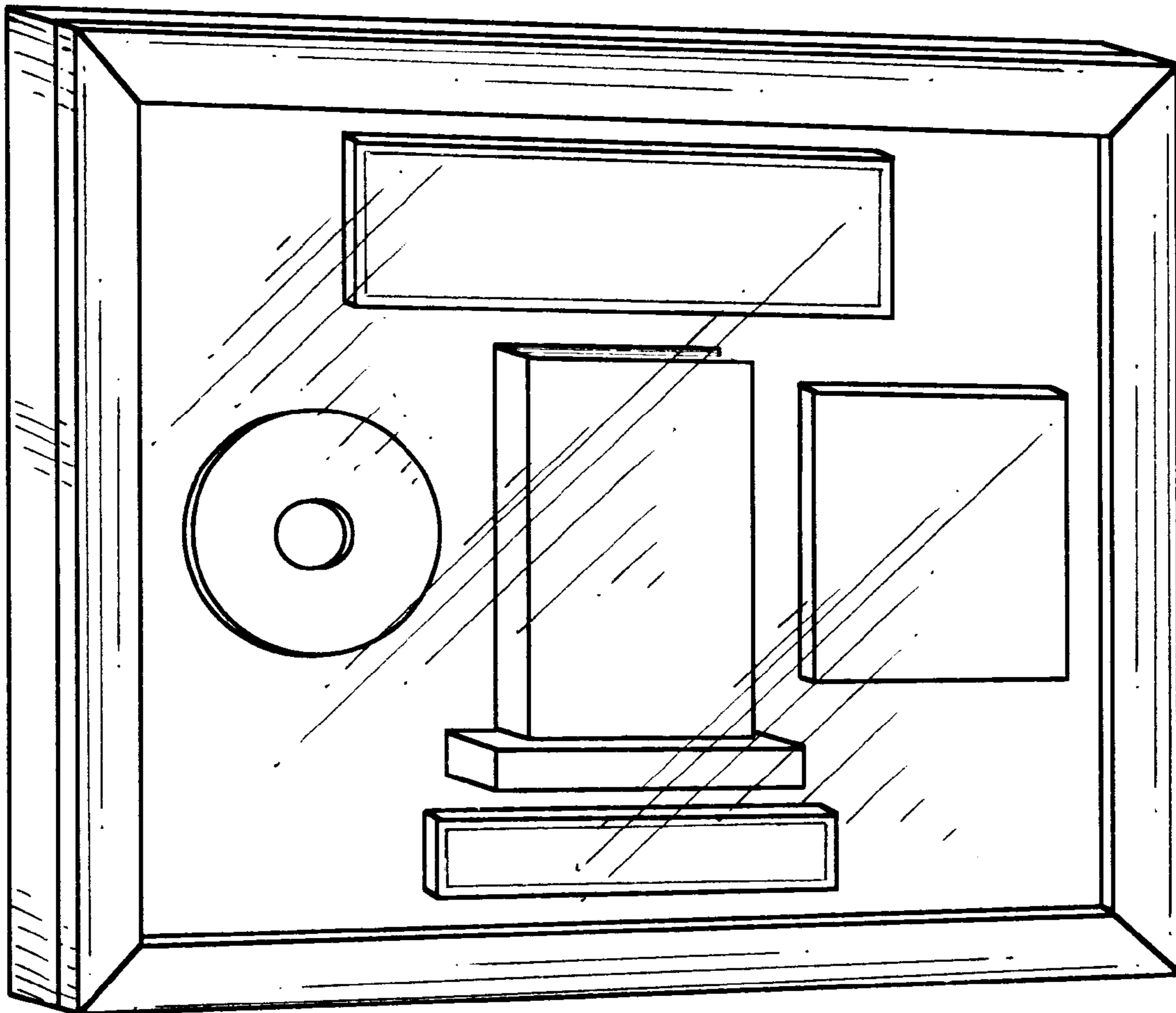
[57] **CLAIM**

The ornamental design for a book display cabinet, as shown and described.

DESCRIPTION

FIG. 1 is a perspective view of a book display cabinet showing a first embodiment of the present invention; FIG. 2 is a front view of FIG. 1; FIG. 3 is a rear view of FIG. 1; FIG. 4 is a top view of FIG. 1; FIG. 5 is a bottom view of FIG. 1; FIG. 6 is a left side view of FIG. 1; FIG. 7 is a right side view of FIG. 1; FIG. 8 is a perspective view of a book display cabinet showing a second embodiment; FIG. 9 is a front view of FIG. 8; FIG. 10 is a perspective view of a book display cabinet showing a third embodiment; and, FIG. 11 is a front view of FIG. 10.

1 Claim, 4 Drawing Sheets



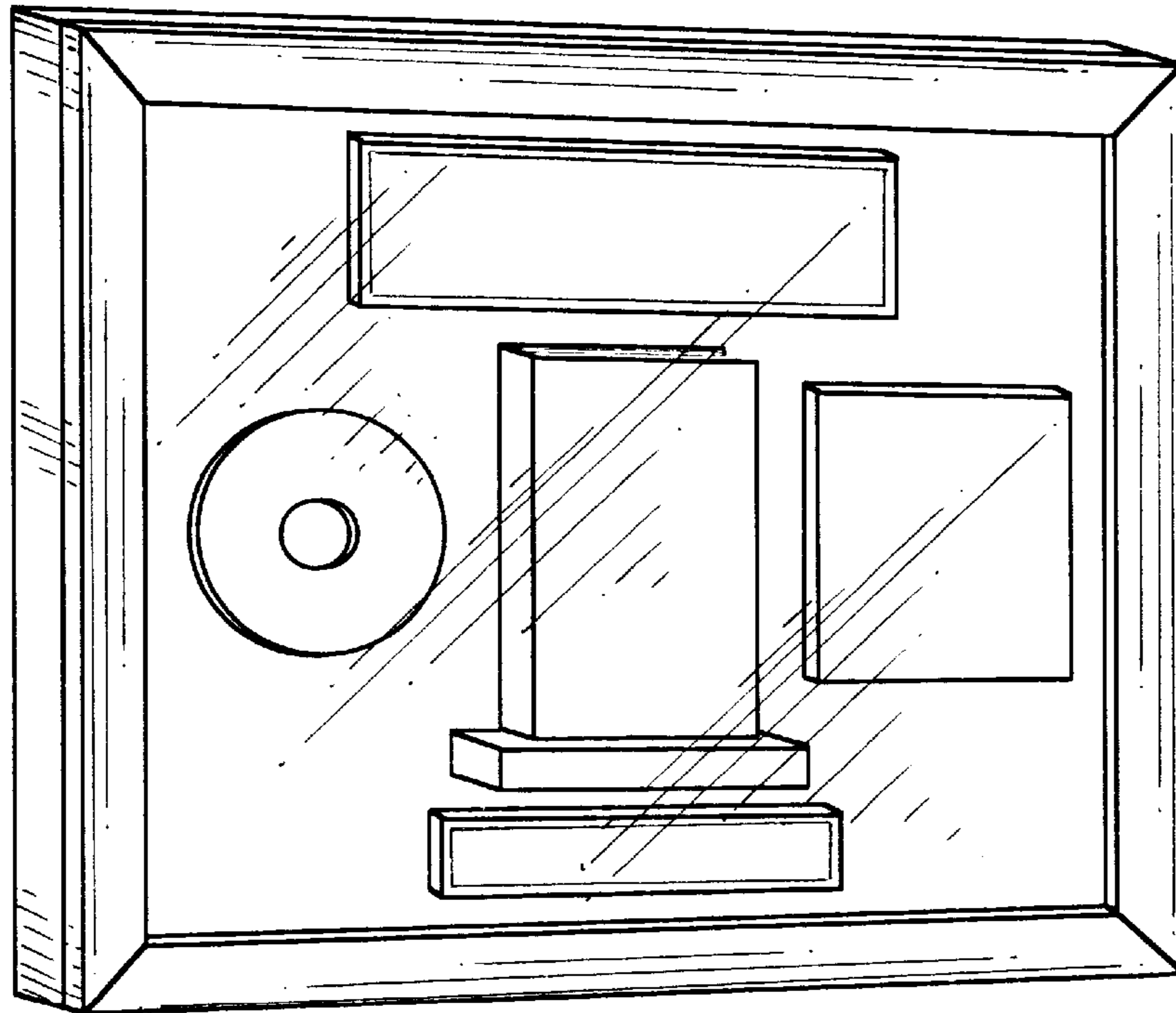


FIG. 1

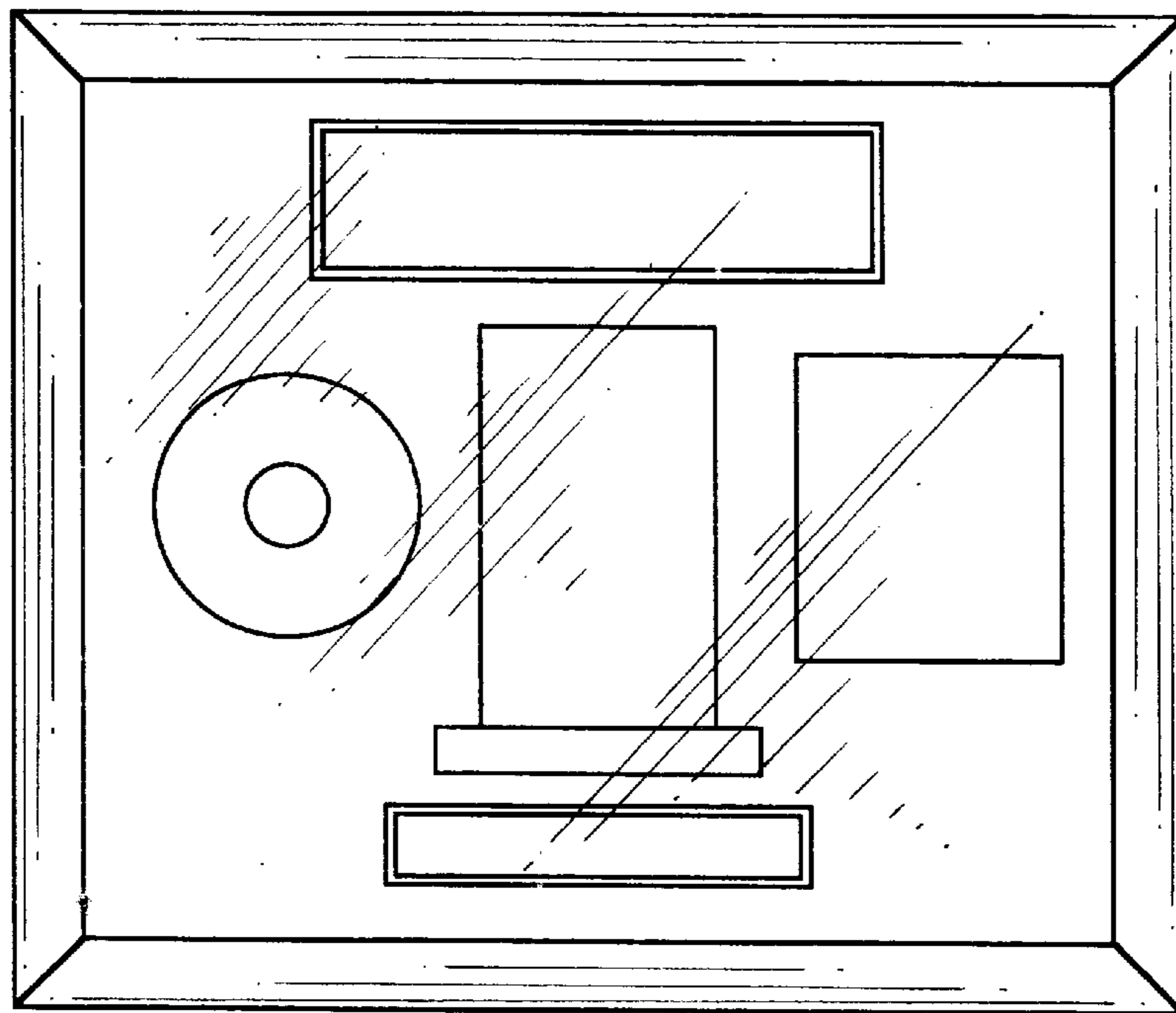


FIG. 2

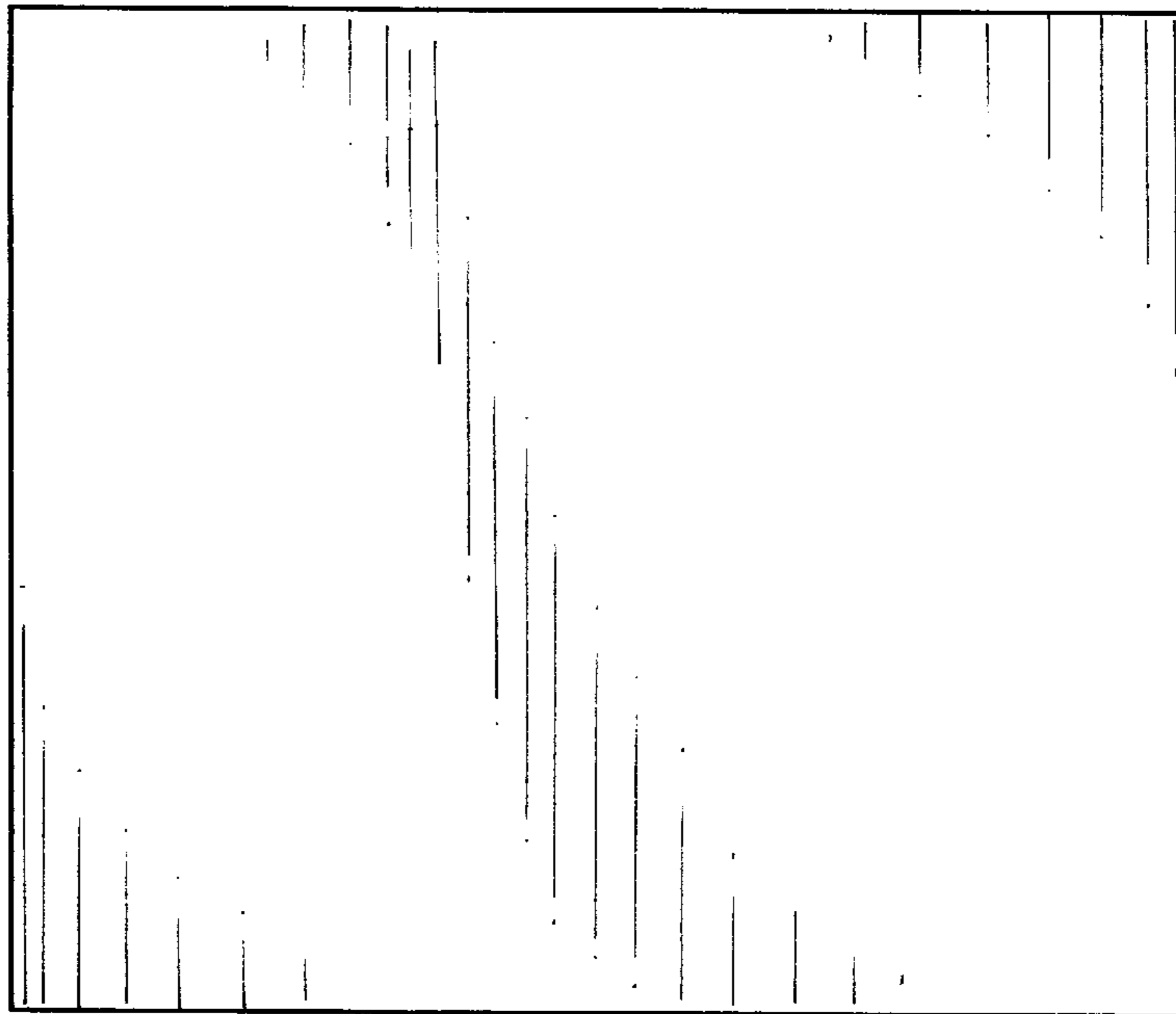


FIG. 3

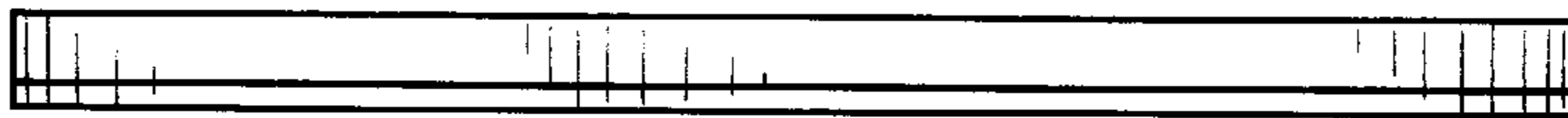


FIG. 4



FIG. 5

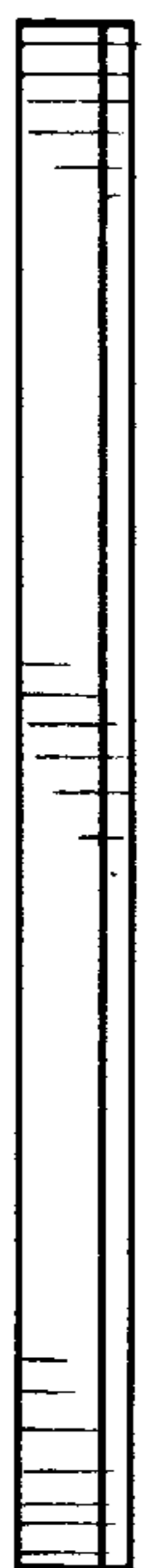


FIG. 6



FIG. 7

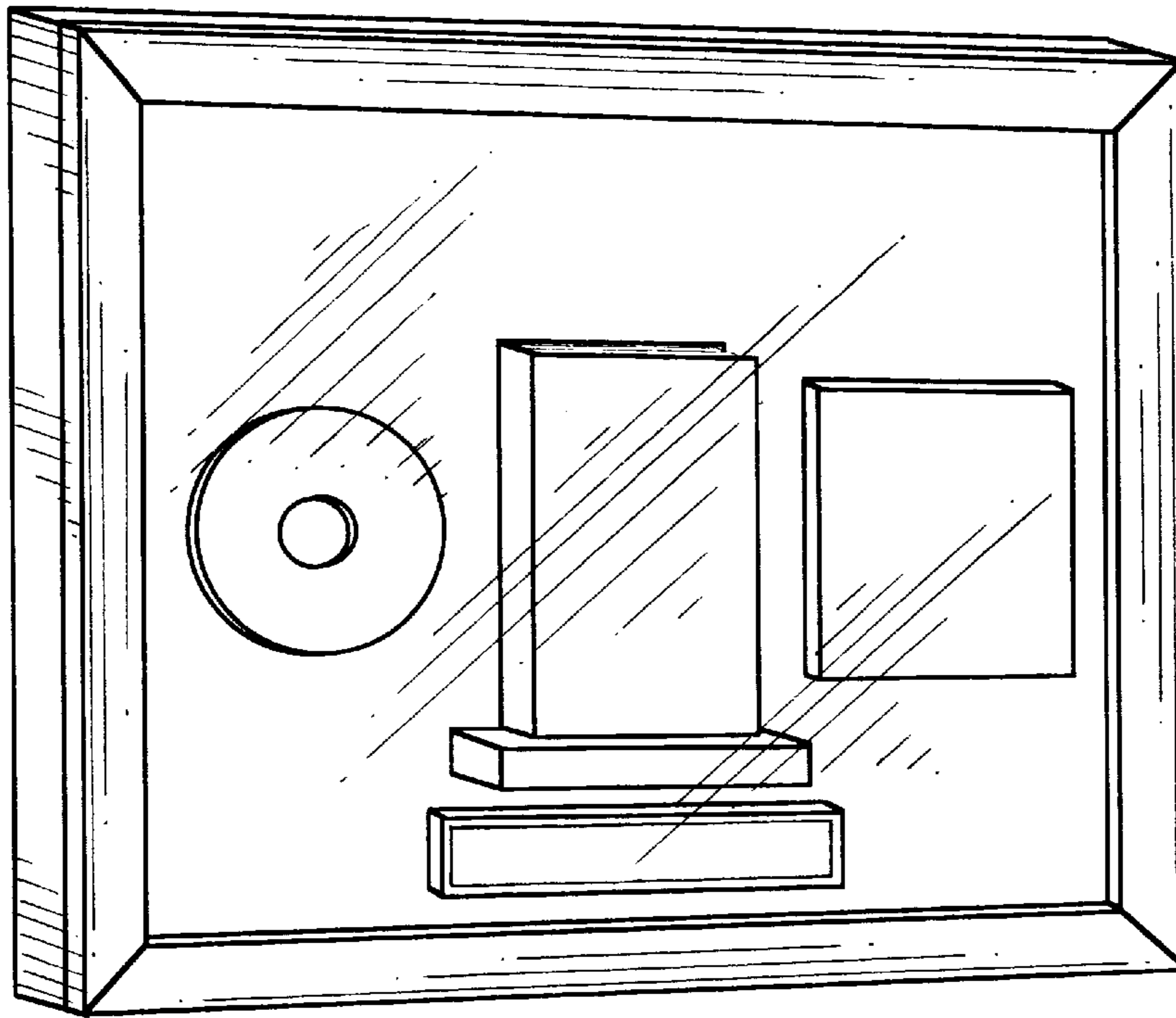


FIG. 8

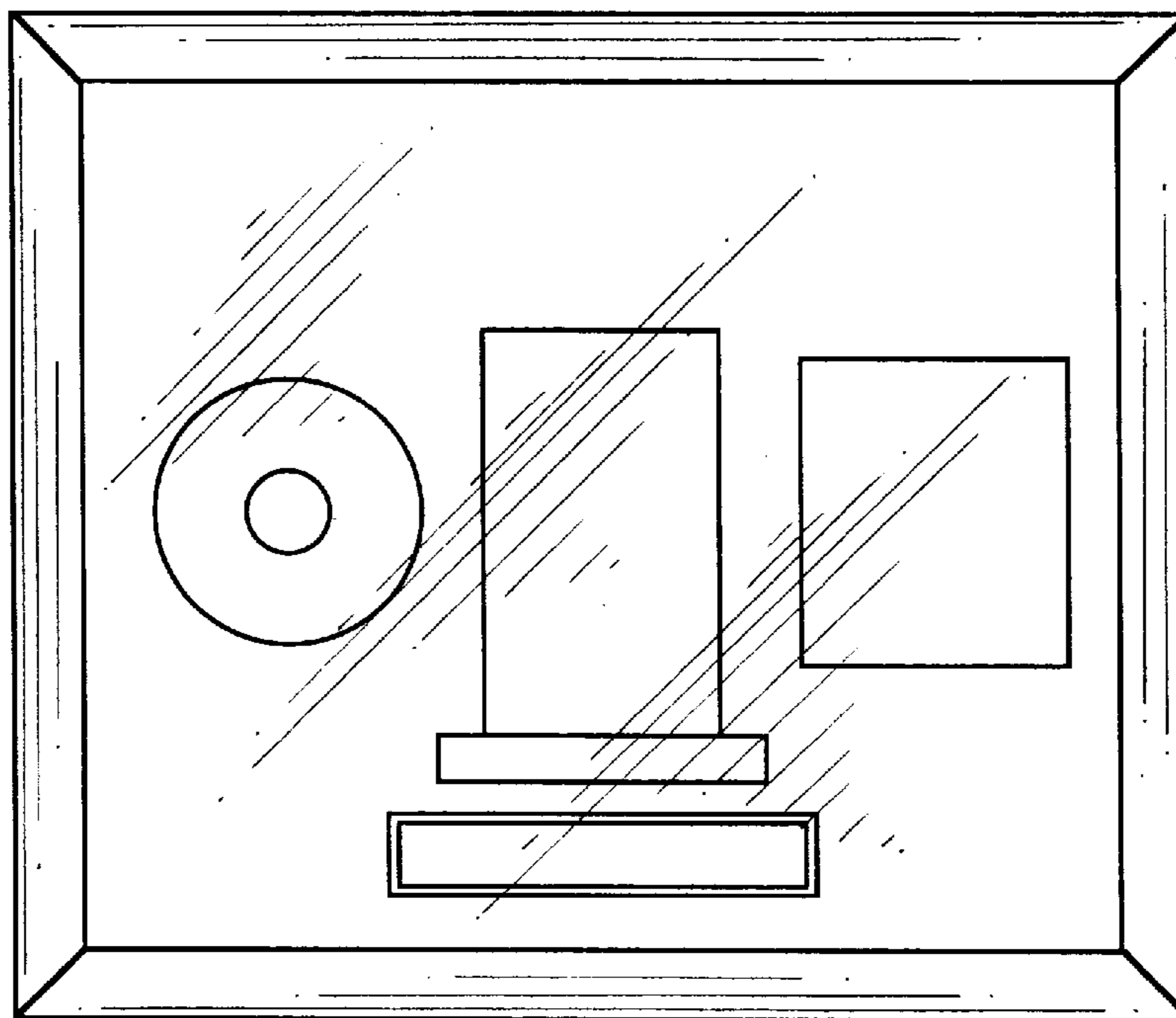


FIG. 9

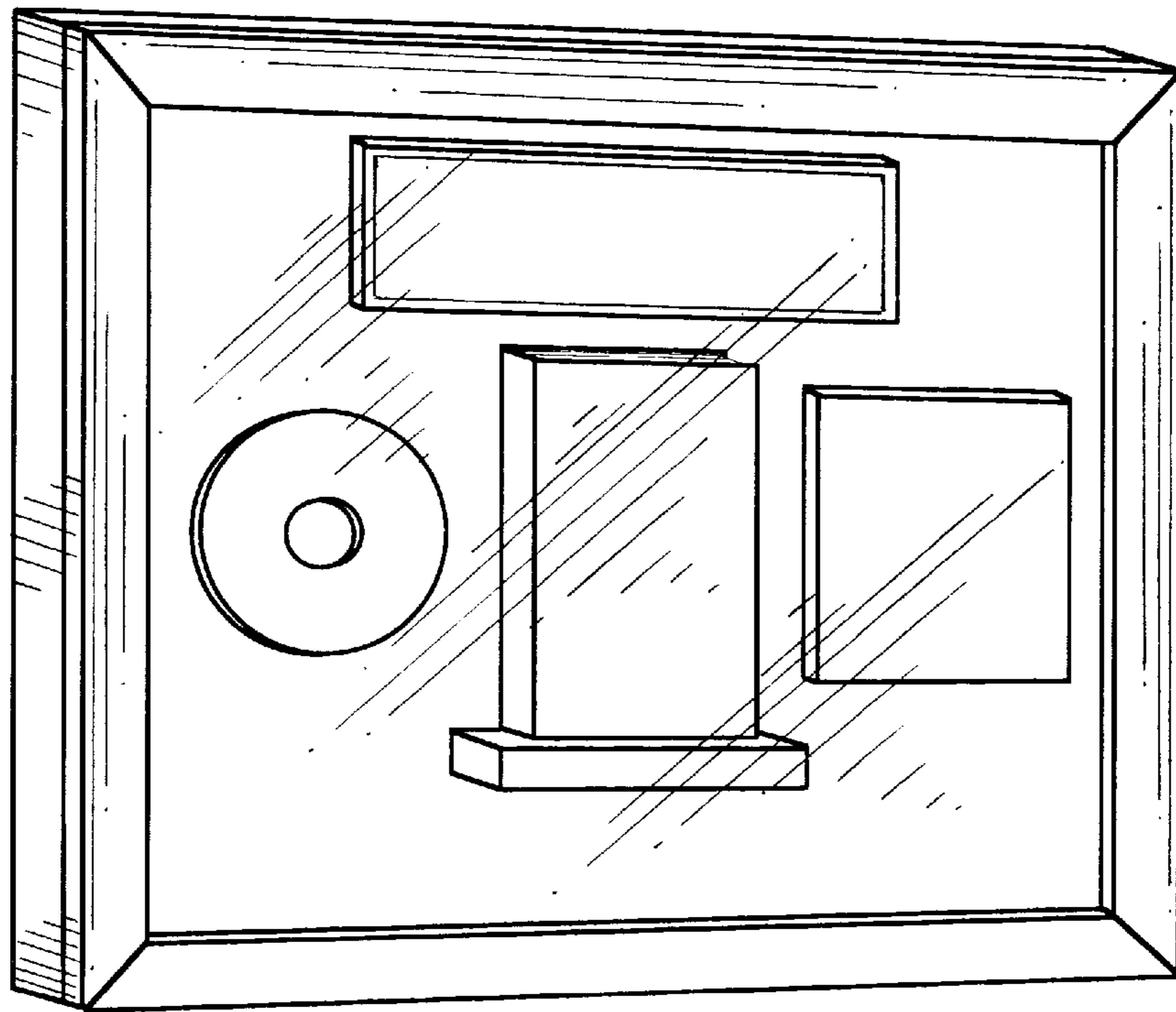


FIG. 10

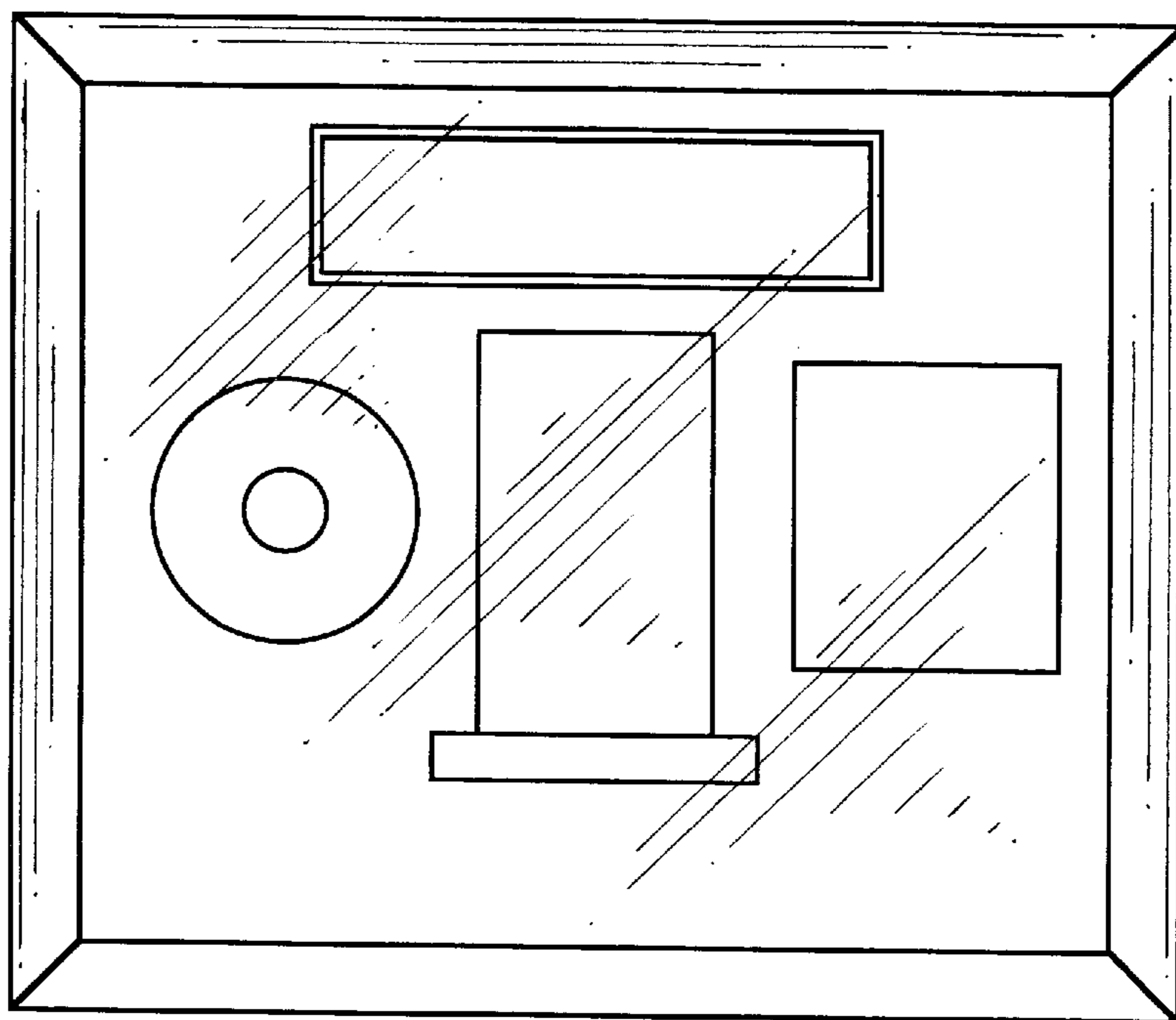


FIG. 11