



US00D418347S

United States Patent [19] Dragonette

[11] **Patent Number: Des. 418,347**
[45] **Date of Patent: ** Jan. 4, 2000**

[54] **JEWELRY ORGANIZER**

5,141,300 8/1992 Ciesla 312/245 X

[76] Inventor: **Grace Dragonette**, 8 Mariane Dr.,
Little Ferry, N.J. 07643

Primary Examiner—Brian N. Vinson

[**] Term: **14 Years**

[57] CLAIM

The ornamental design for a jewelry organizer, as shown.

[21] Appl. No.: **29/084,896**

DESCRIPTION

[22] Filed: **Mar. 12, 1998**

FIG. 1 is a front elevational view of the jewelry organizer of the present invention;

[51] **LOC (7) Cl.** **08-08**

FIG. 2 is a back elevational view of the jewelry organizer of FIG. 1;

[52] **U.S. Cl.** **D6/559**

[58] **Field of Search** D6/552, 553, 559,
D6/561, 567; 206/6.1; 211/13.1; 312/242-245,
902

FIG. 3 is a left side elevational view of the jewelry organizer of FIG. 1;

FIG. 4 is a right side elevational view of the jewelry organizer of FIG. 1;

[56] References Cited

U.S. PATENT DOCUMENTS

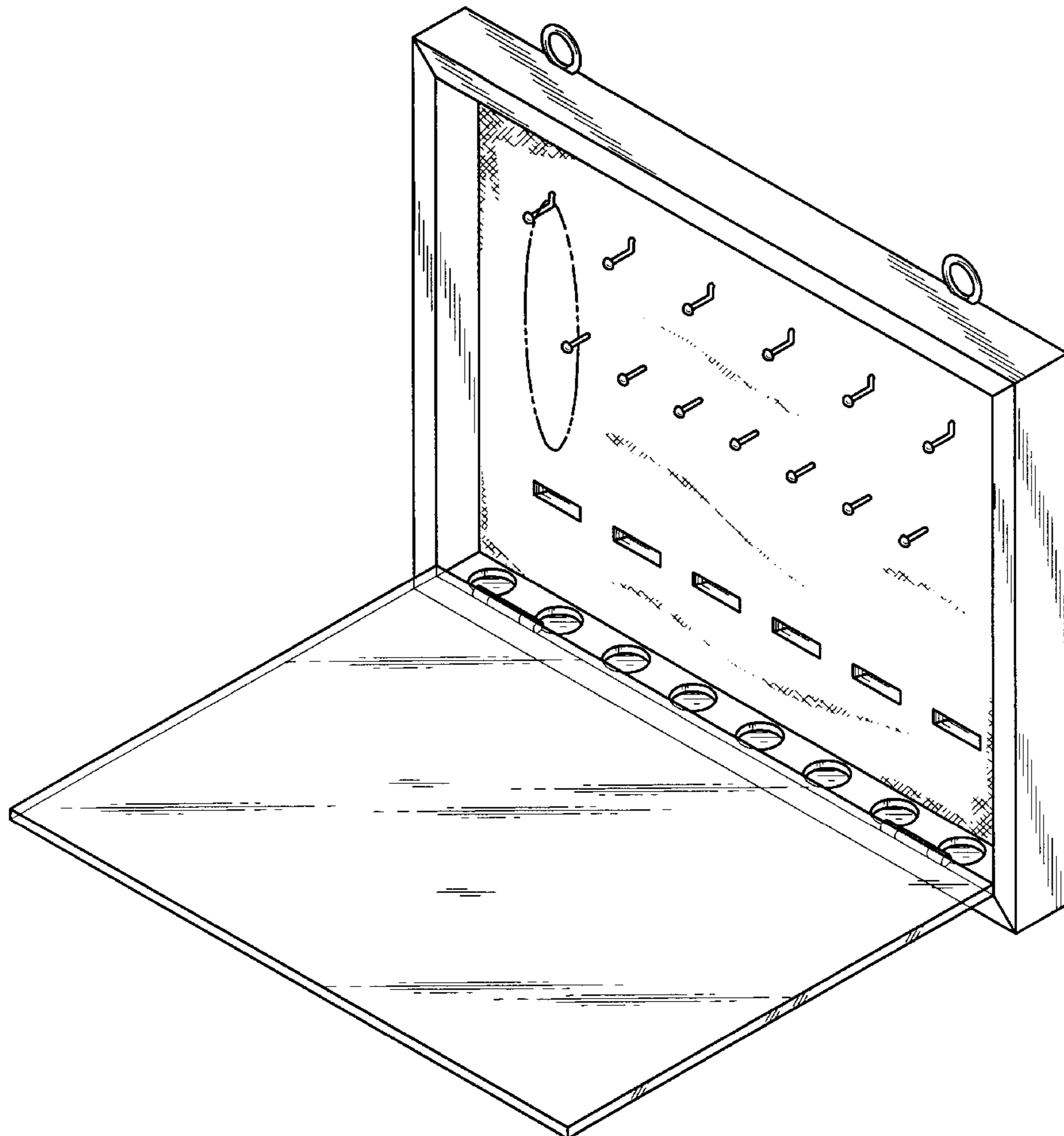
D. 237,234	10/1975	Wertz	D6/559
D. 243,490	3/1977	Reusink	D6/559
D. 319,749	9/1991	McPherson	D6/567 X
D. 329,565	9/1992	Kane et al.	D6/559
3,997,219	12/1976	Phelps	312/245 X
4,209,212	6/1980	McGoldrick	312/245
4,420,084	12/1983	Whelan	211/13.1 X

FIG. 5 is a top plan view of the jewelry organizer of FIG. 1; FIG. 6 is a bottom plan view of the jewelry organizer of FIG. 1; and,

FIG. 7 is a top, front, right side perspective view of the jewelry organizer of FIG. 1.

The broken-line disclosure in the views is for illustrative purposes only and forms no part of the claimed design.

1 Claim, 4 Drawing Sheets



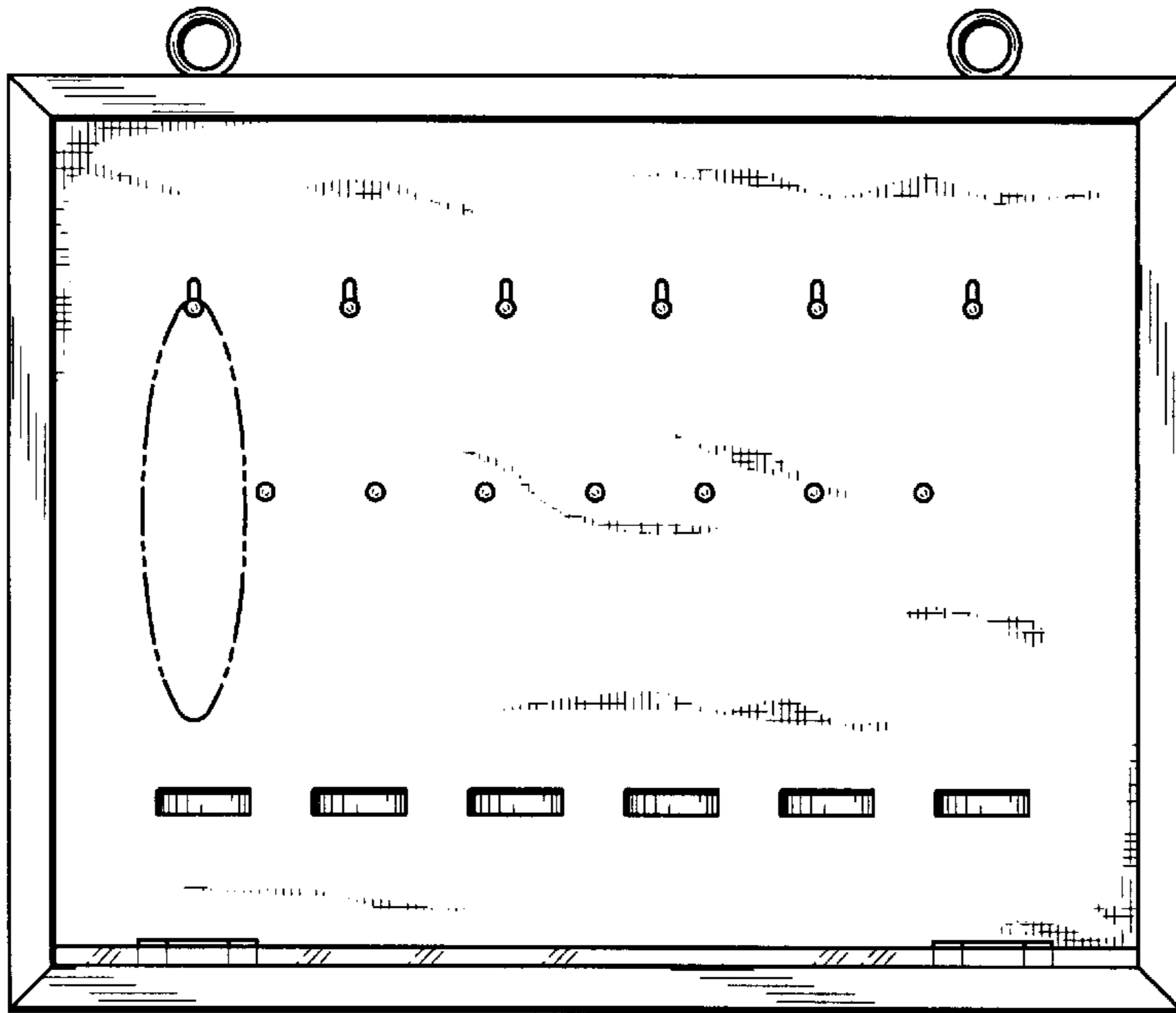


Fig. 1

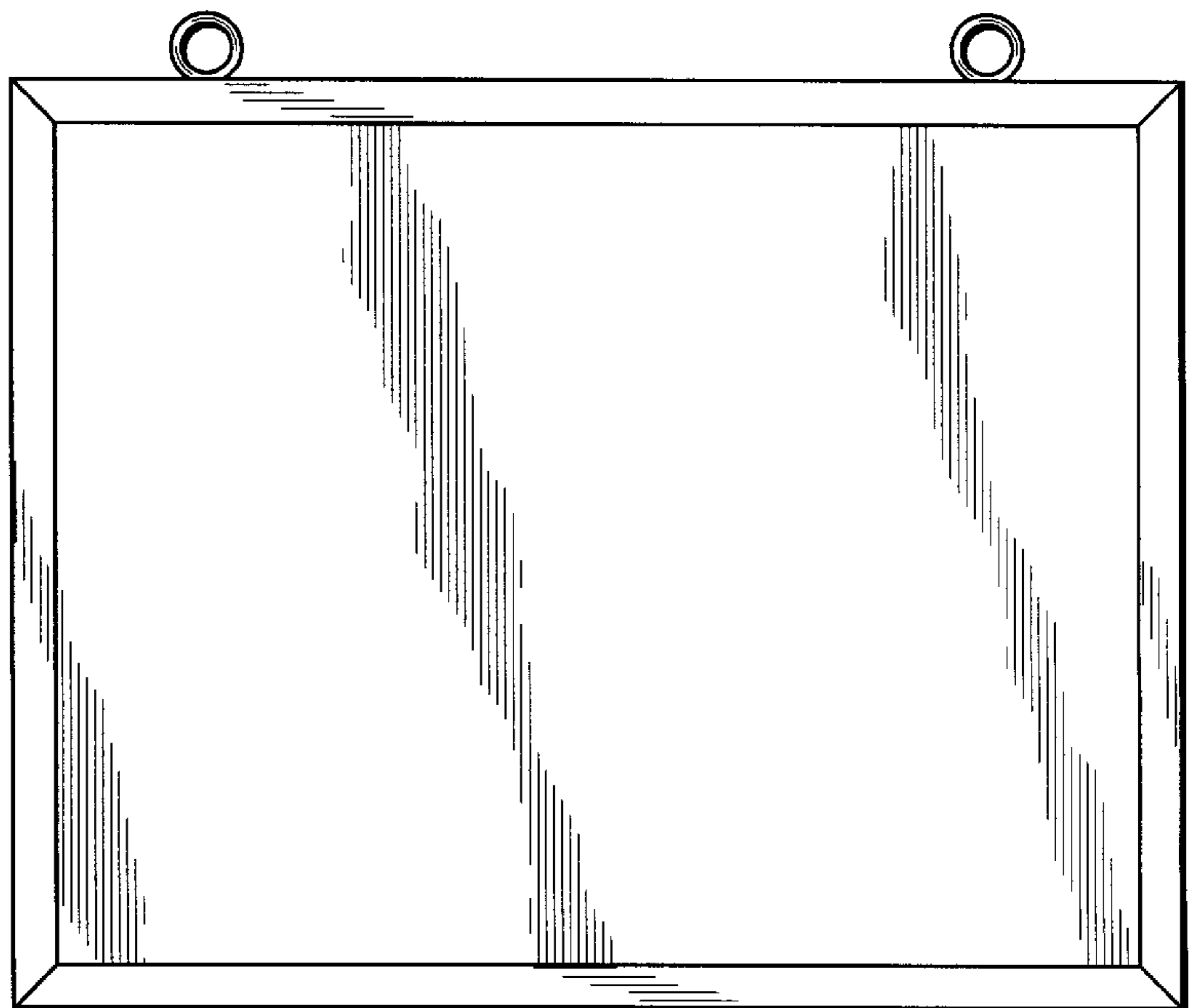


Fig. 2

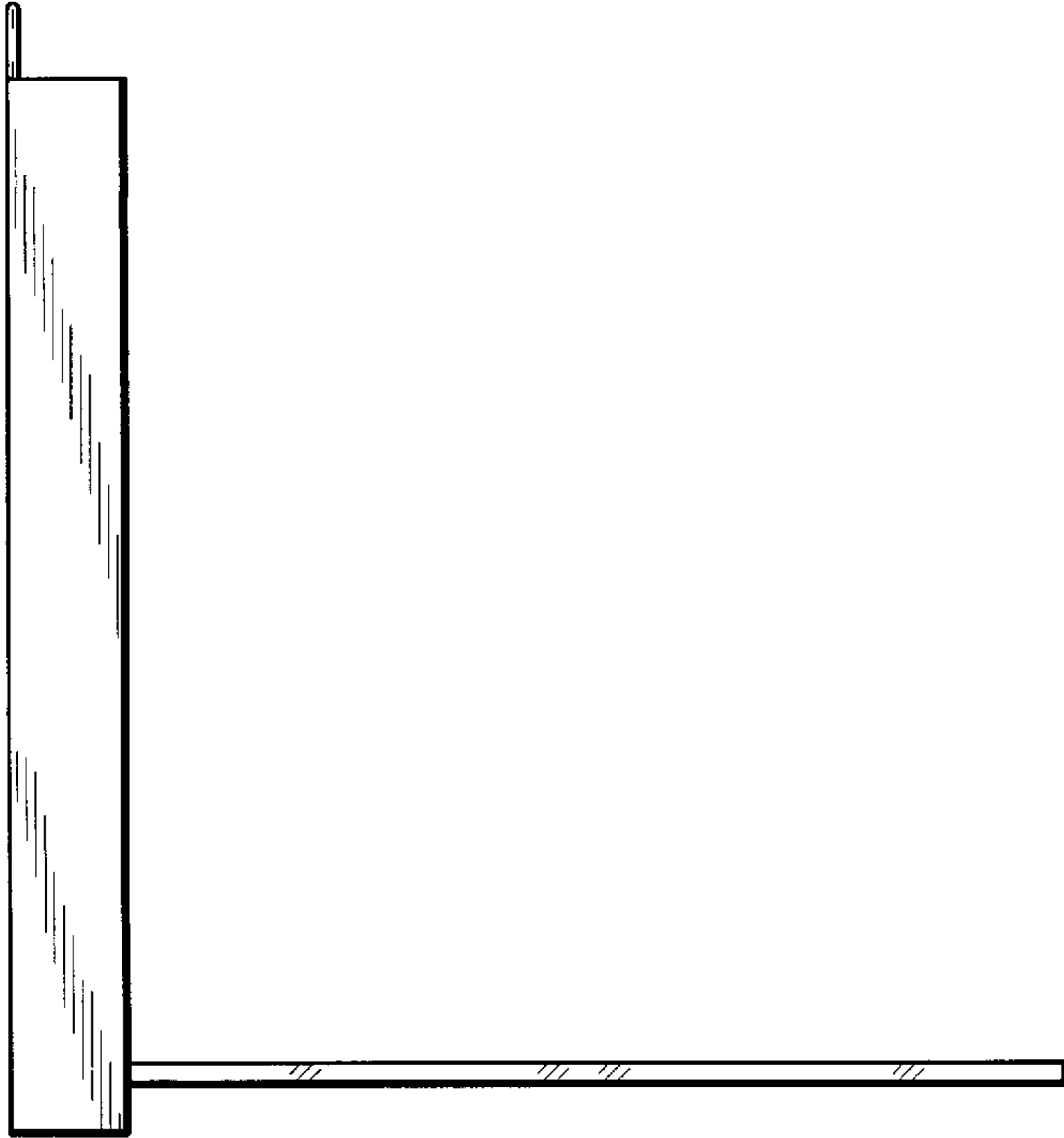


Fig. 3

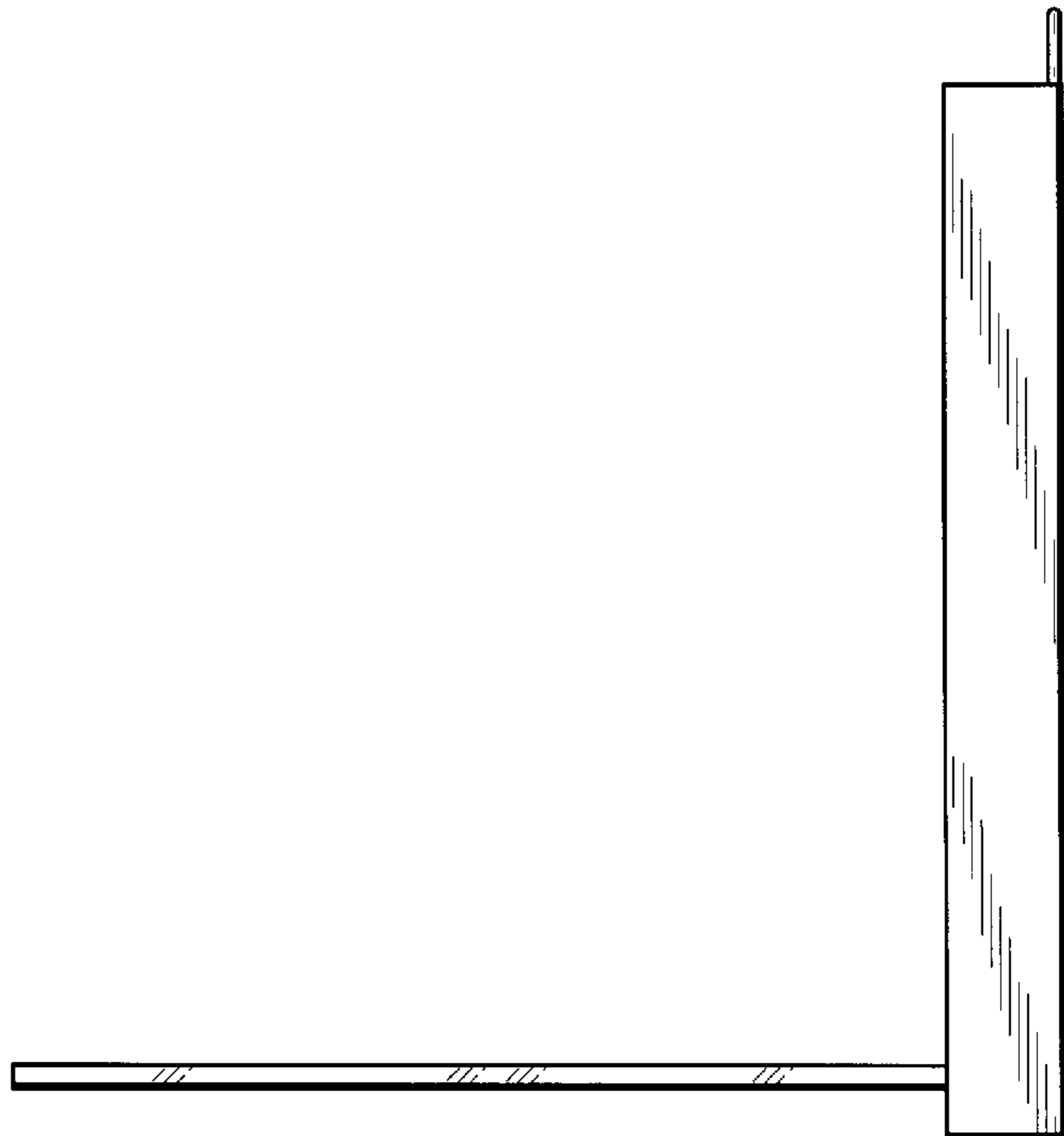


Fig. 4

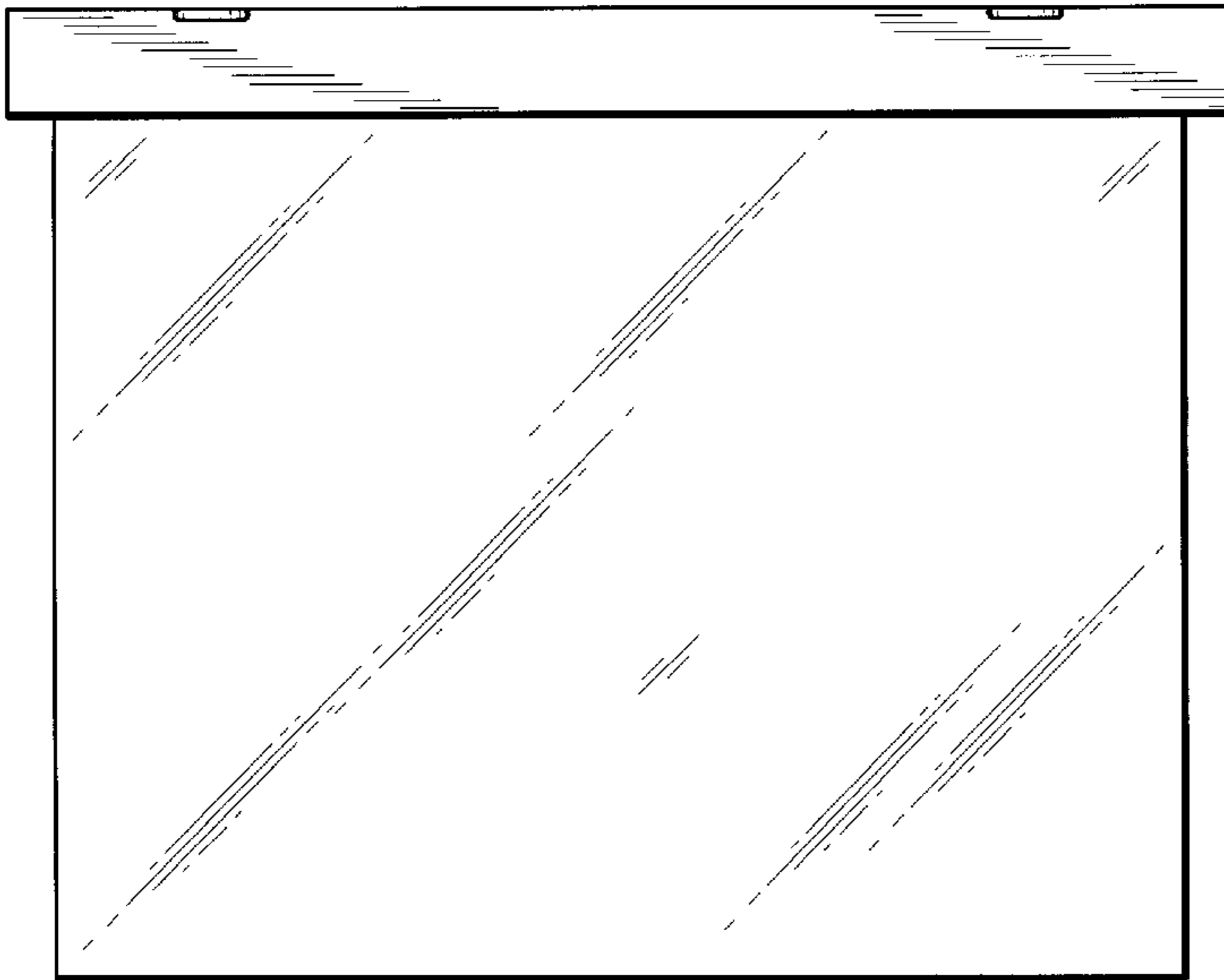


Fig. 5

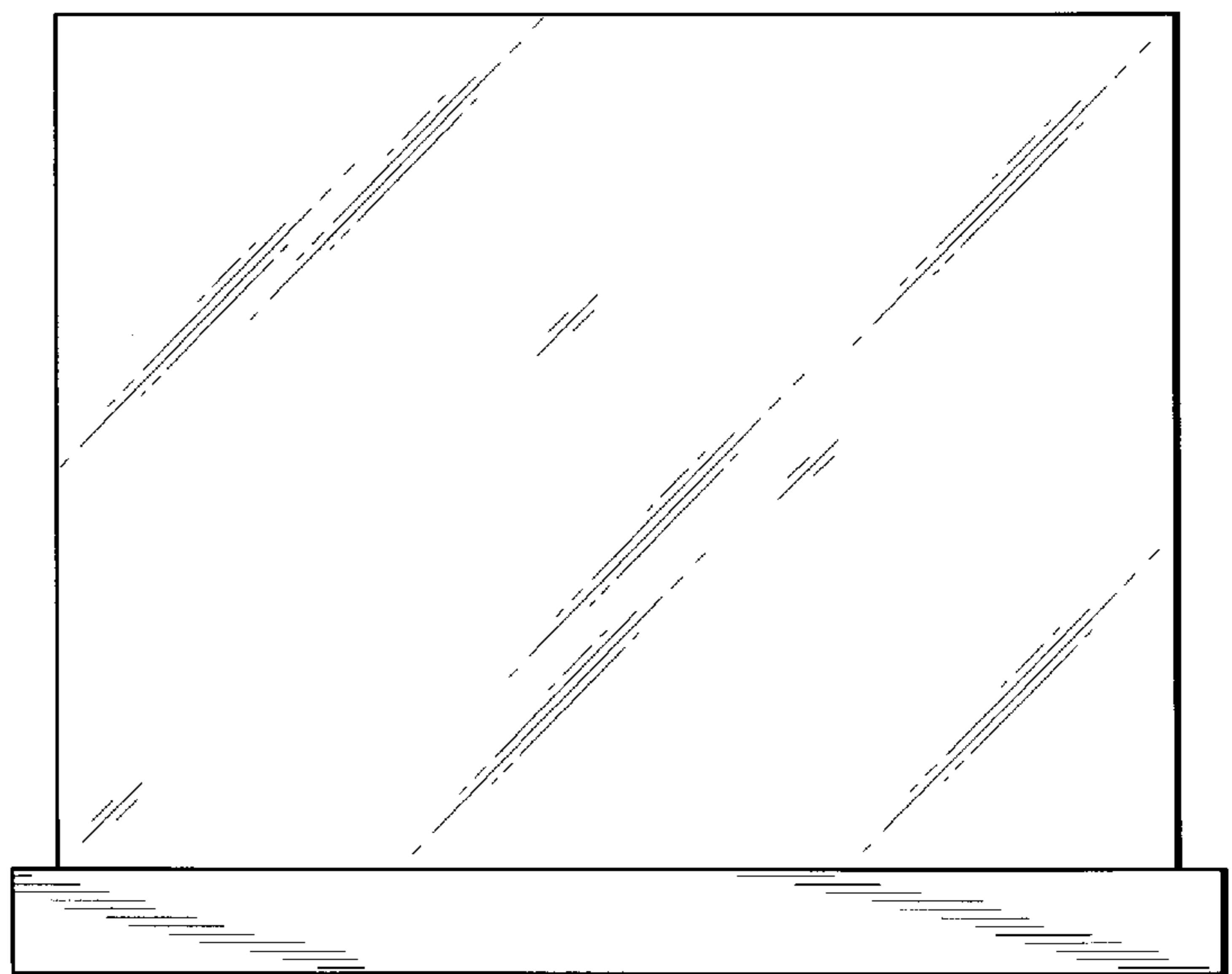


Fig. 6

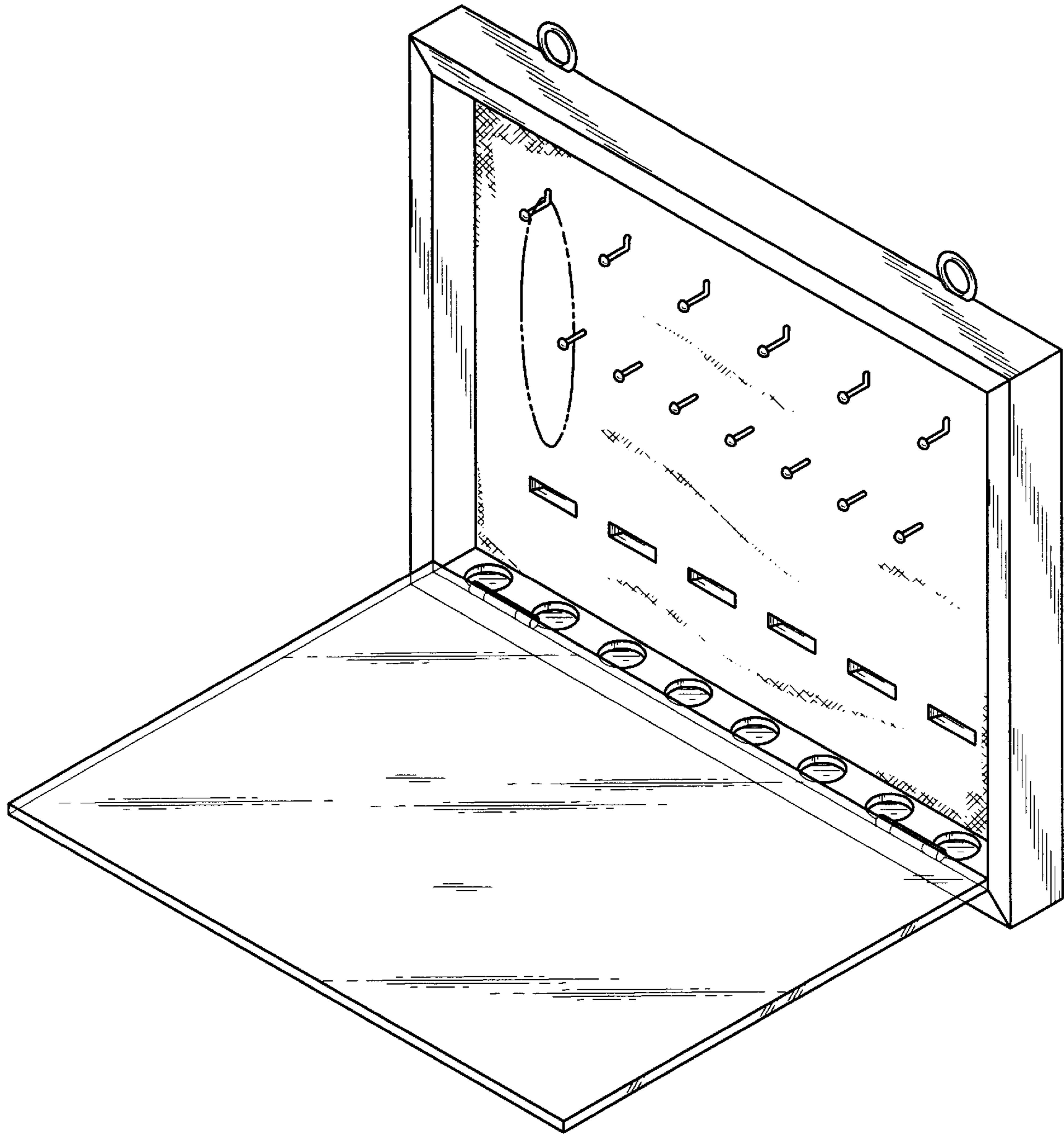


Fig. 7