



US00D418346S

United States Patent [19]
Lee

[11] **Patent Number: Des. 418,346**
[45] **Date of Patent: ** Jan. 4, 2000**

[54] **TOWEL RACK SUPPORT ARM**
[76] Inventor: **Wen-Shian Lee**, No.9, Lane 394,
Fu-Yuan Street, Taipei, Taiwan
[**] Term: **14 Years**
[21] Appl. No.: **29/098,553**
[22] Filed: **Dec. 30, 1998**
[30] **Foreign Application Priority Data**
Dec. 18, 1998 [TW] Taiwan 87309223
[51] **LOC (7) Cl.** **07-07**
[52] **U.S. Cl.** **D6/550; D6/549**
[58] **Field of Search** D6/524-540, 546-550;
D8/349, 354, 363, 373, 380; 211/13.1,
16, 44, 86, 87, 105.1, 123, 182, 183; 248/200,
231.91, 251, 222.1, 224.3

D. 326,382 5/1992 Ko D6/550
D. 391,105 2/1998 Sharpe D6/546
D. 393,166 4/1998 Sharpe D6/524
D. 408,188 4/1999 Kuo D6/550
D. 409,029 5/1999 Harris D6/524
4,907,771 3/1990 Wang 248/222.1

Primary Examiner—Brian N. Vinson
Attorney, Agent, or Firm—Bacon & Thomas, PLLC

[57] **CLAIM**

The ornamental design for a towel rack support arm, as shown and described.

DESCRIPTION

FIG. 1 is a perspective view of a towel rack support arm showing my new design;
FIG. 2 is a front elevation view thereof;
FIG. 3 is a rear elevation view thereof;
FIG. 4 is a left side elevation view thereof;
FIG. 5 is a right side elevation view thereof;
FIG. 6 is a top plan view thereof; and,
FIG. 7 is a bottom plan view thereof.

[56] **References Cited**
U.S. PATENT DOCUMENTS
D. 229,460 12/1973 Tegner D6/550 X
D. 317,691 6/1991 Wang D6/550

1 Claim, 4 Drawing Sheets





FIG. 1



FIG. 2

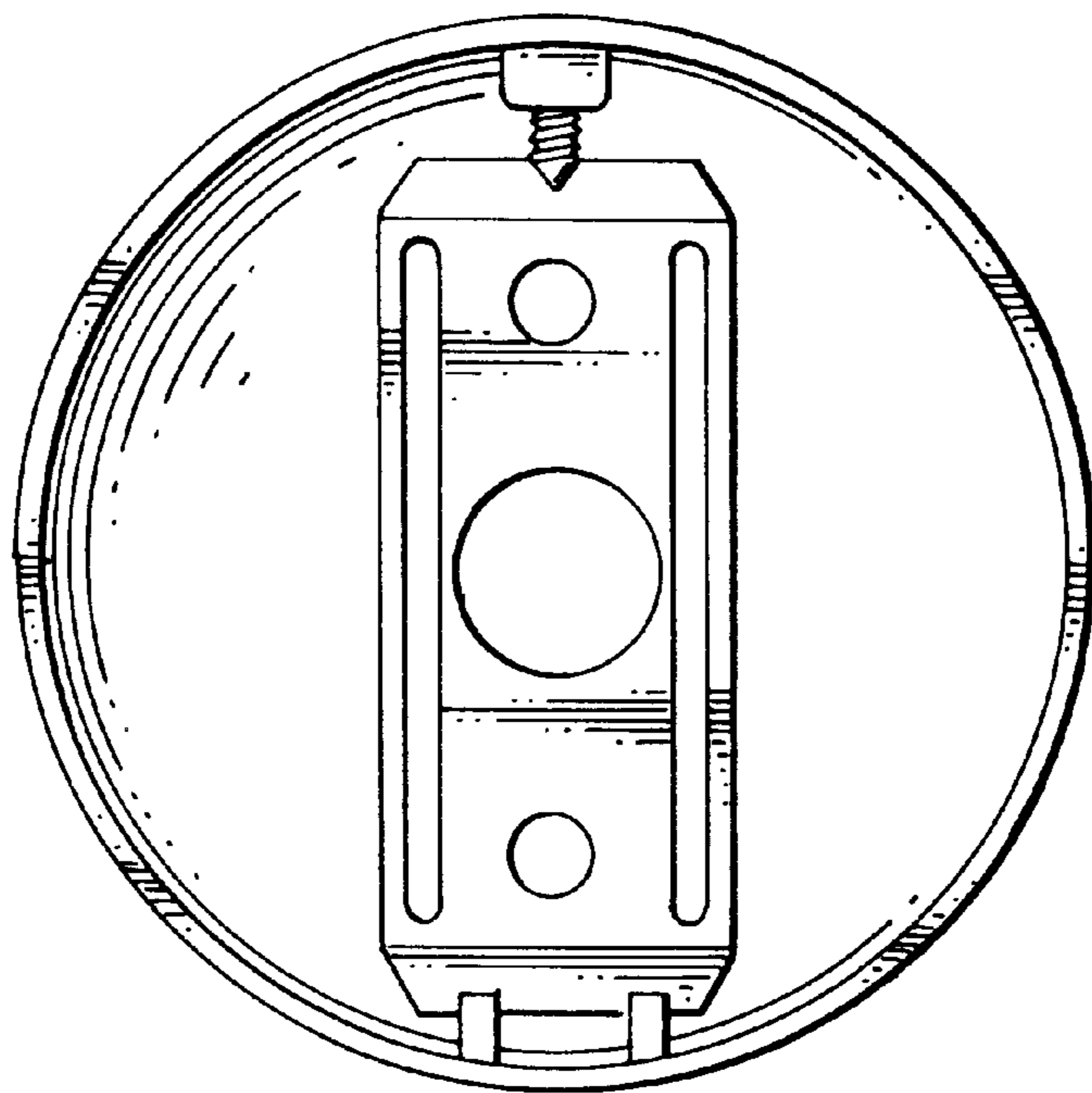


FIG. 3

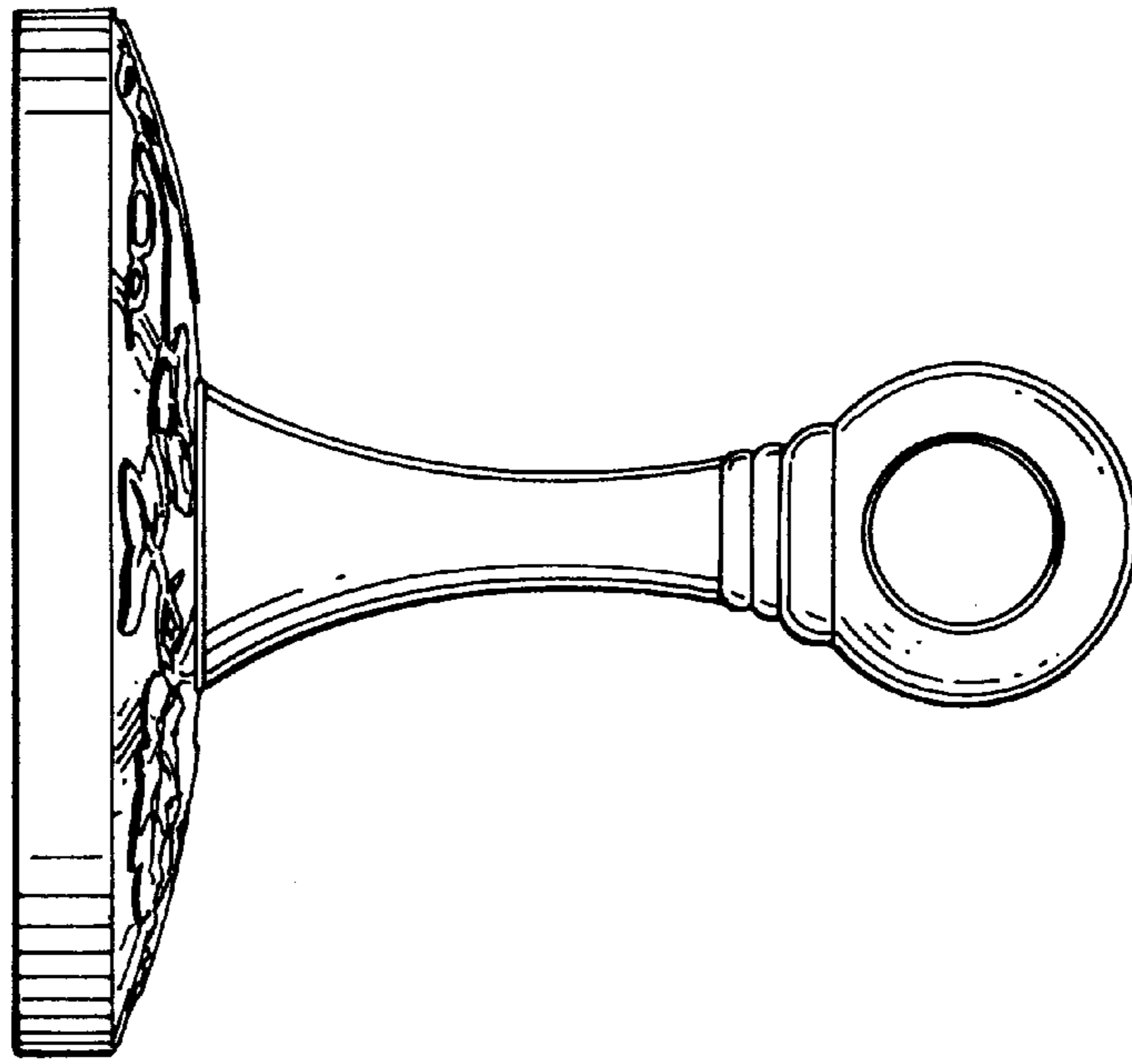


FIG. 4

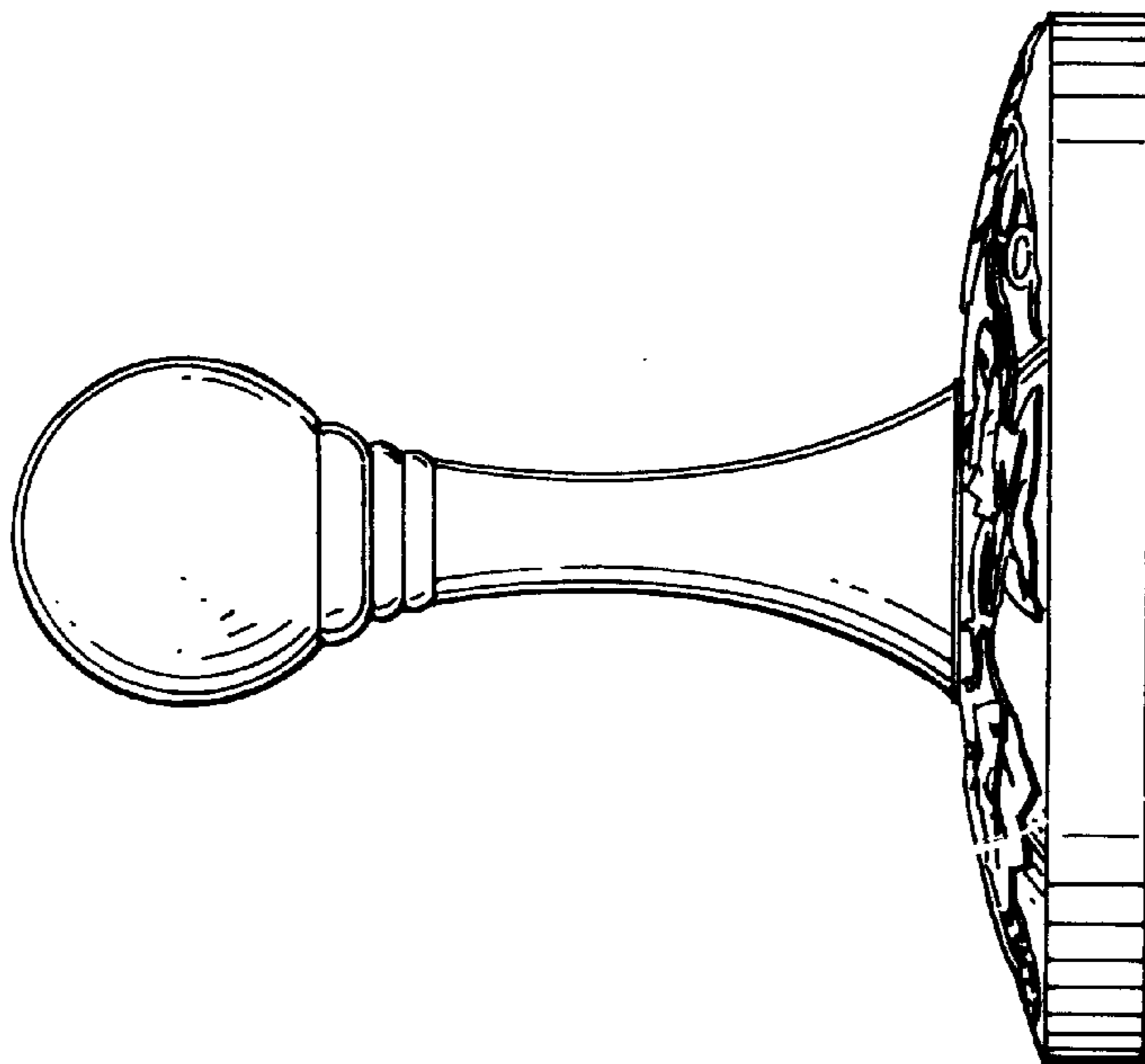


FIG. 5

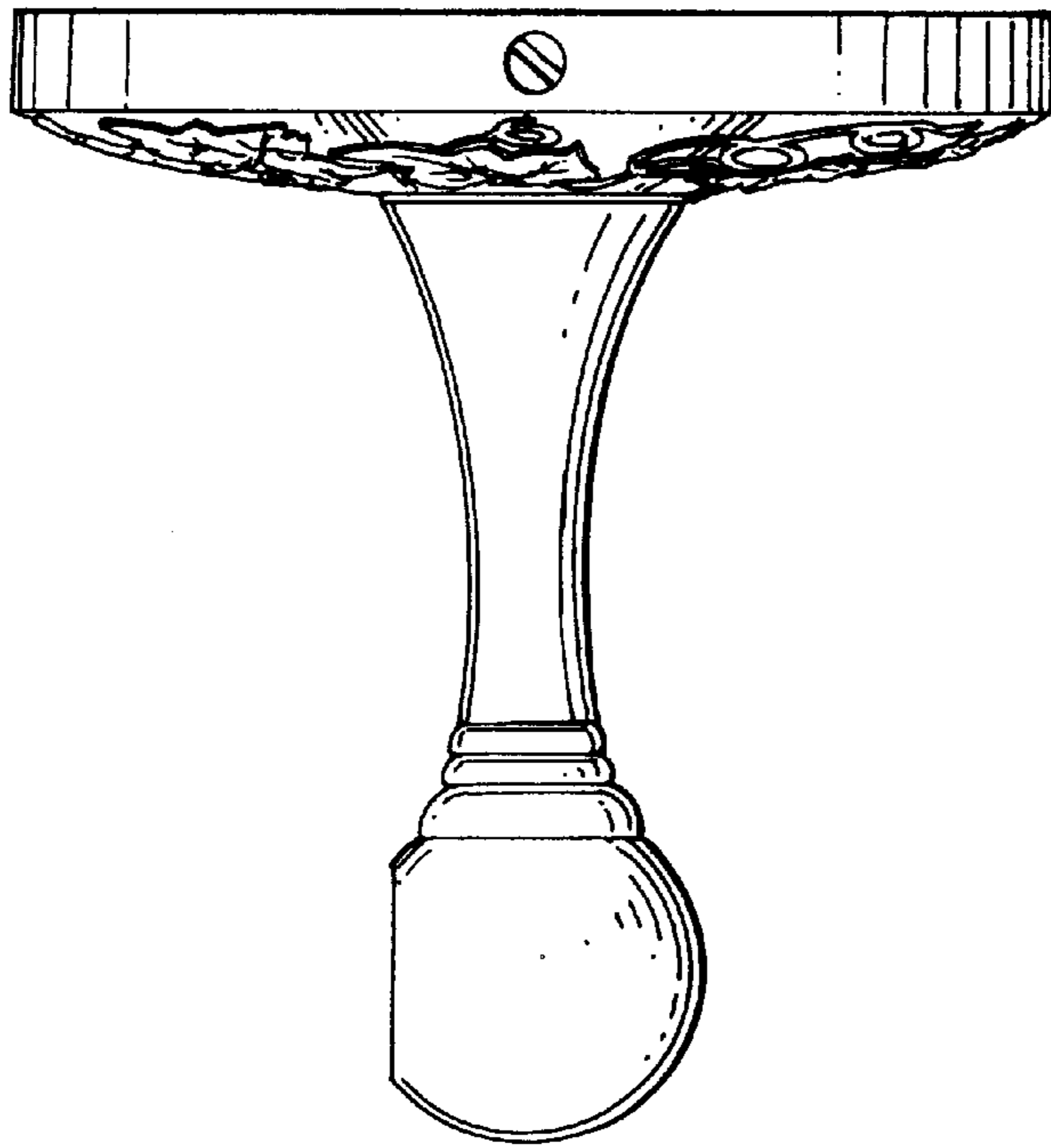


FIG. 6

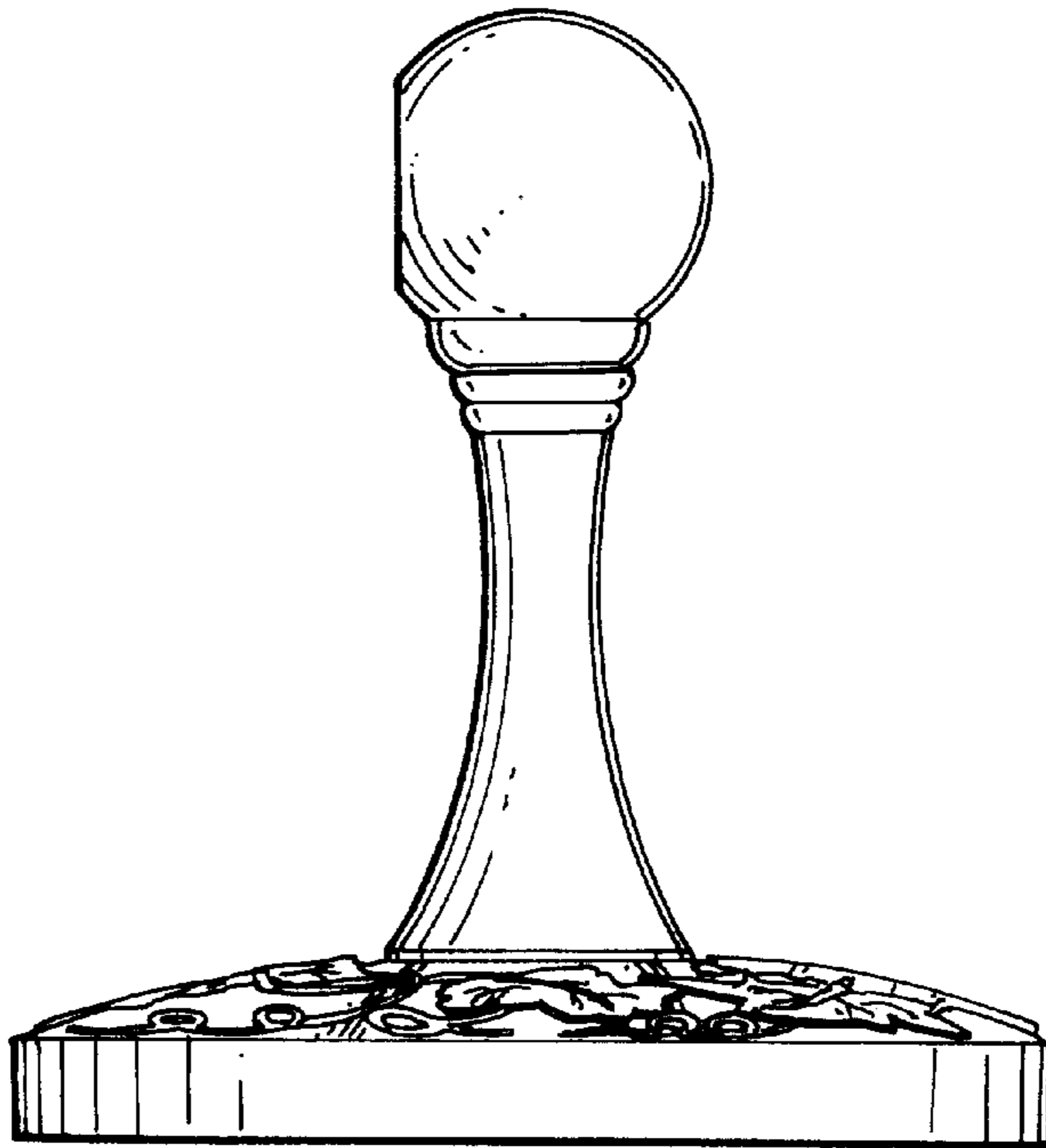


FIG. 7