



US00D418342S

United States Patent [19]

Von Gunten et al.

[11] Patent Number: **Des. 418,342**

[45] Date of Patent: **** Jan. 4, 2000**

[54] **LATTICE SHELF**

[76] Inventors: **Judy Von Gunten**, 64 Newtown Dr., Buffalo Grove, Ill. 60090; **Lin King-yin**, No. 5, Sec. 5, Hsin Yi Road, Suite 5C 27, Taipei, Taiwan

[**] Term: **14 Years**

[21] Appl. No.: **29/101,021**

[22] Filed: **Feb. 23, 1999**

Related U.S. Application Data

[62] Division of application No. 29/090,977, Jul. 21, 1998, Pat. No. Des. 408,665.

[51] **LOC (7) Cl.** **06-04**

[52] **U.S. Cl.** **D6/511**

[58] **Field of Search** D6/509-511, 464, D6/465, 474, 477, 479, 566; D25/53, 69; 211/90.03, 134, 153, 186-188, 181.1; 108/90-93, 157, 13

[56] References Cited

U.S. PATENT DOCUMENTS

D. 289,479 4/1987 Brancher D6/511

D. 326,579	6/1992	Leeds	D6/511
D. 338,121	8/1993	Pelosi	D6/511
D. 378,481	3/1997	Oberhaus et al.	D6/511
1,259,210	3/1918	Clark	211/153 X
1,961,144	6/1934	Griffith	211/153 X
2,246,580	6/1941	Farmer	211/153 X
3,294,351	12/1966	Rollins, Jr.	211/90.03 X
5,788,093	8/1998	Krut	211/90.03 X

Primary Examiner—Doris V. Coles
Assistant Examiner—Linda Brooks
Attorney, Agent, or Firm—James P. Hanrath

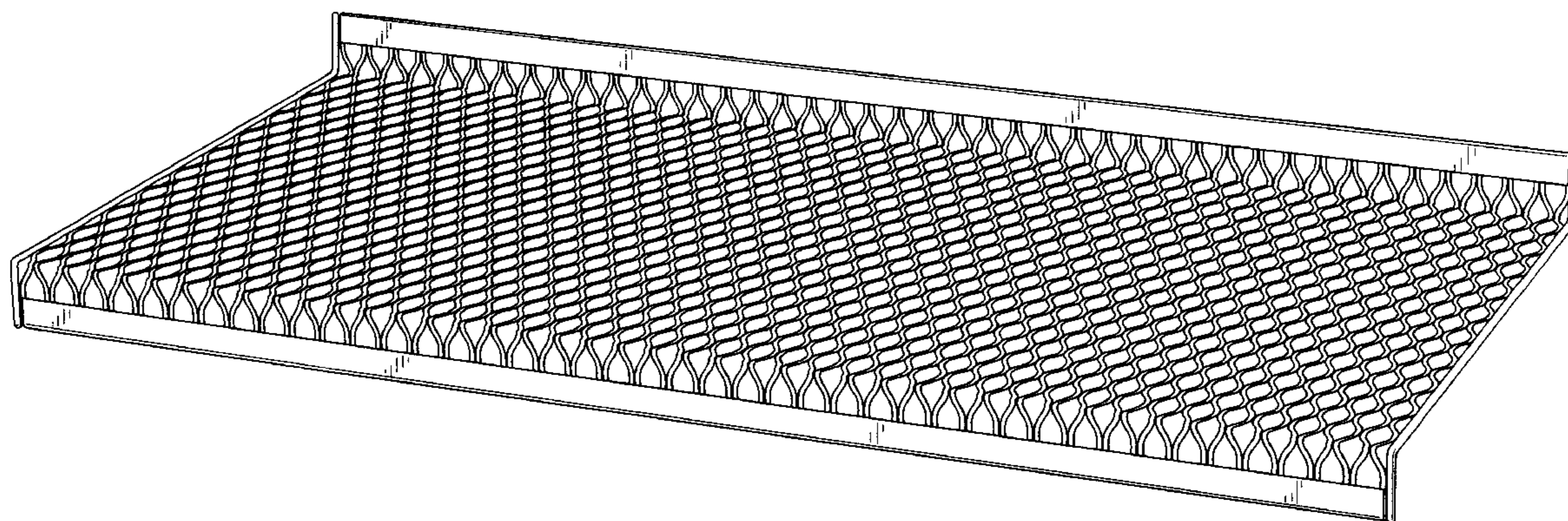
[57] CLAIM

The ornamental design for a lattice shelf, as shown and described.

DESCRIPTION

FIG. 1 is a front perspective view of a lattice shelf showing our new design;
FIG. 2 is a front elevational view thereof, the back elevational view being a mirror image thereof;
FIG. 3 is a top plan view thereof, the bottom plan view being a mirror image thereof; and,
FIG. 4 is a right side elevational view thereof, the left side elevational view being a mirror image thereof.

1 Claim, 2 Drawing Sheets



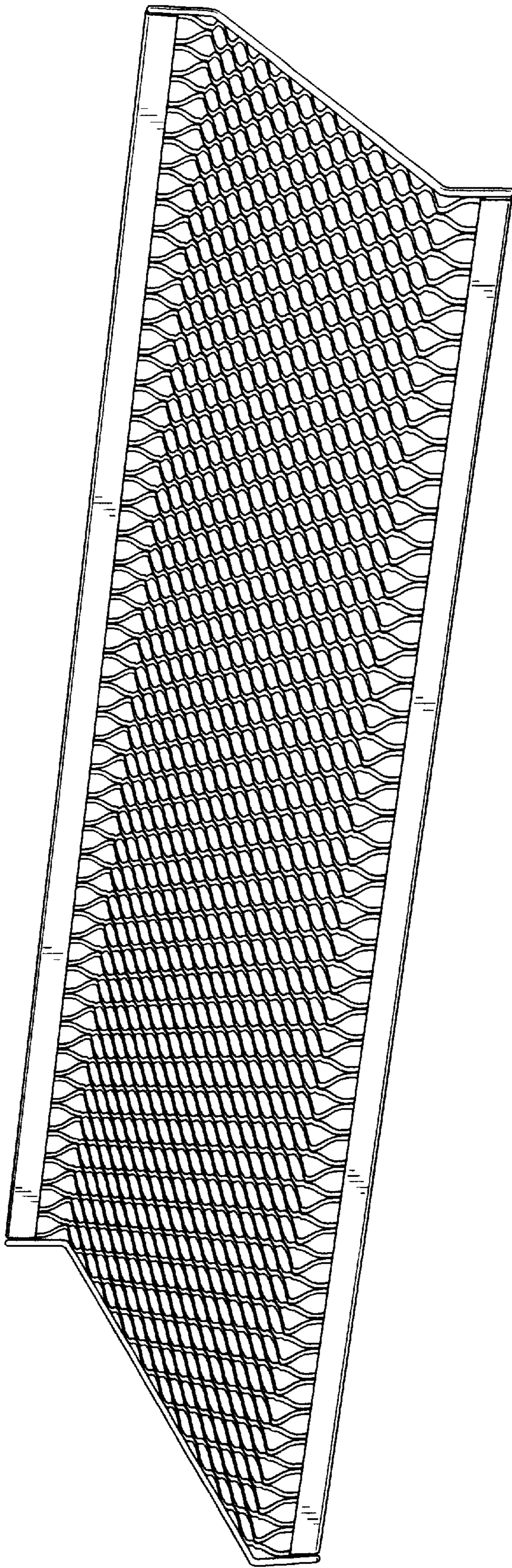


FIG. 1

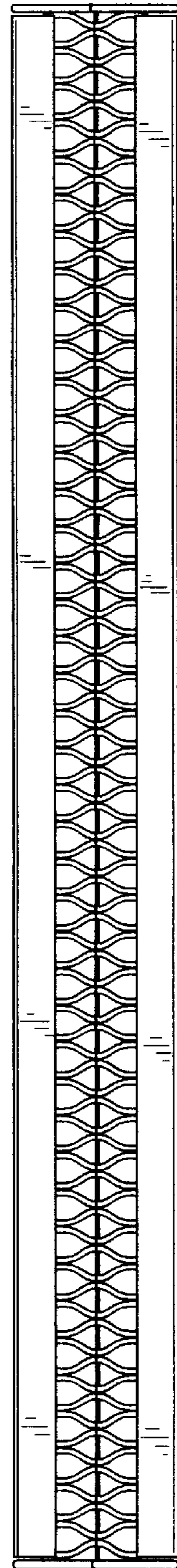


FIG. 2

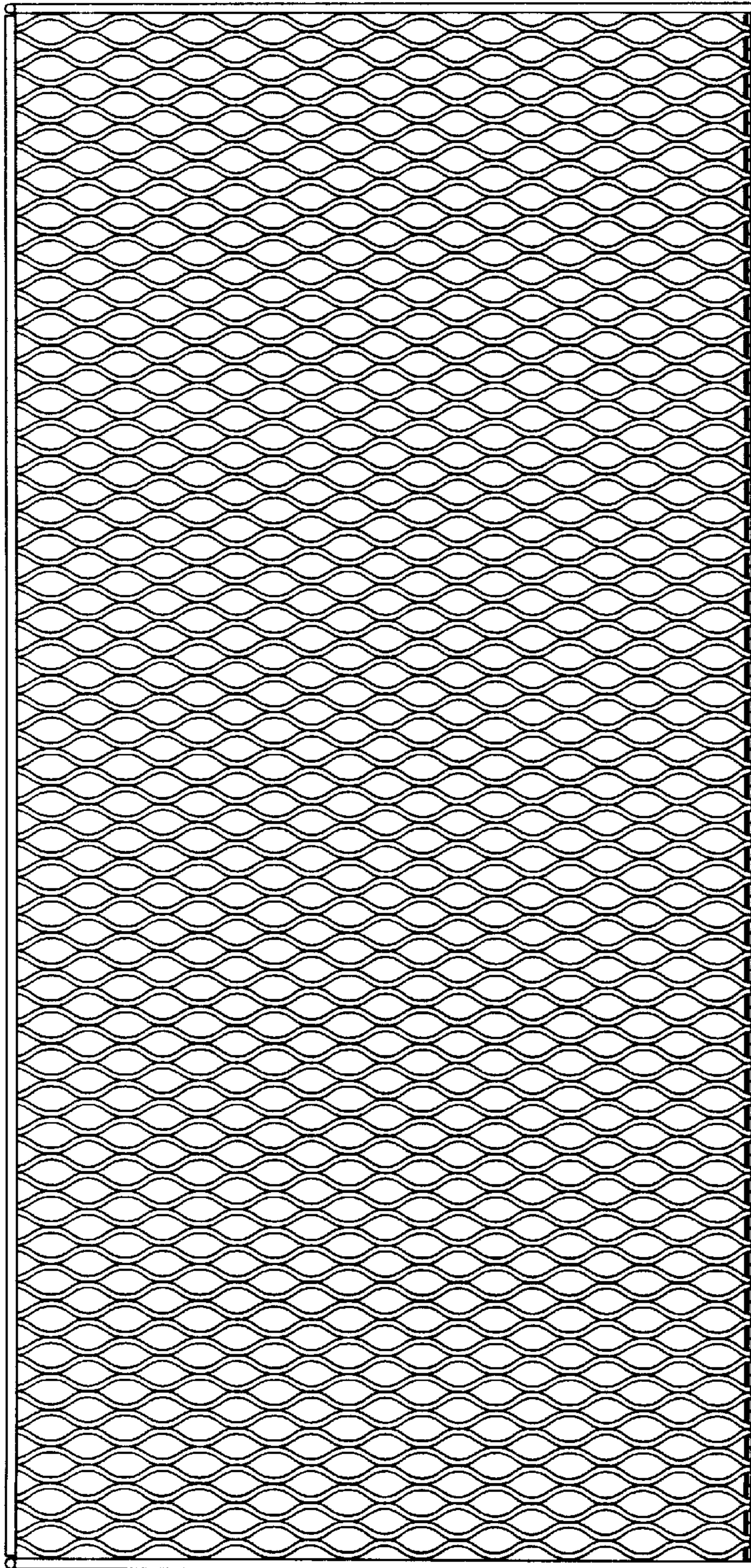


FIG. 3

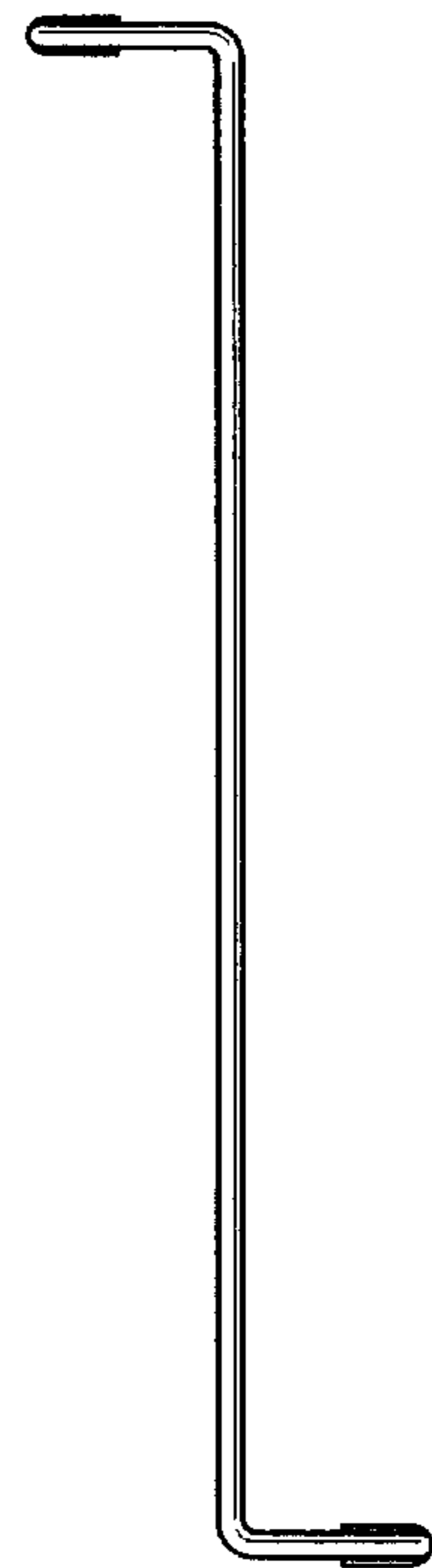


FIG. 4