



US00D418333S

United States Patent [19] Zaidman

[11] **Patent Number: Des. 418,333**
[45] **Date of Patent: ** Jan. 4, 2000**

[54] **DOOR PANEL**

[75] Inventor: **S. Paul Zaidman**, Winnipeg, Canada

[73] Assignee: **Palliser Furniture Ltd.**, Canada

[**] Term: **14 Years**

[21] Appl. No.: **29/075,841**

[22] Filed: **Aug. 29, 1997**

[51] **LOC (7) Cl.** **06-06**

[52] **U.S. Cl.** **D6/492**

[58] **Field of Search** D6/432-448, 490-492,
D6/495, 510, 511; 312/204, 330.1, 348.4

[56] **References Cited**

U.S. PATENT DOCUMENTS

D. 283,281	4/1986	Woodstra	D6/492
D. 288,760	3/1987	Rosario et al.	D6/492
D. 304,983	12/1989	Palka	D6/492
D. 357,147	4/1995	Keller	D6/492
D. 370,580	6/1996	Keller et al.	D6/492

OTHER PUBLICATIONS

Levitz, p. 2; armoire and pier door on bottom left of page, Apr. 1995.
The Hub, p. 10; armoire, dresser and pier door on top of page, Sep. 1996.

Primary Examiner—Carmen H. Vales-Lado
Attorney, Agent, or Firm—Michael Best & Friedrich LLP

[57] **CLAIM**

The ornamental design for a door panel, as shown as described.

DESCRIPTION

FIG. 1 is a front, right side perspective view of a door panel showing my new design, the left side being a mirror image thereof;

FIG. 2 is a front elevational view thereof;

FIG. 3 is a front, right side perspective view of a second embodiment of the door panel shown in FIG. 1, the left side being a mirror image thereof;

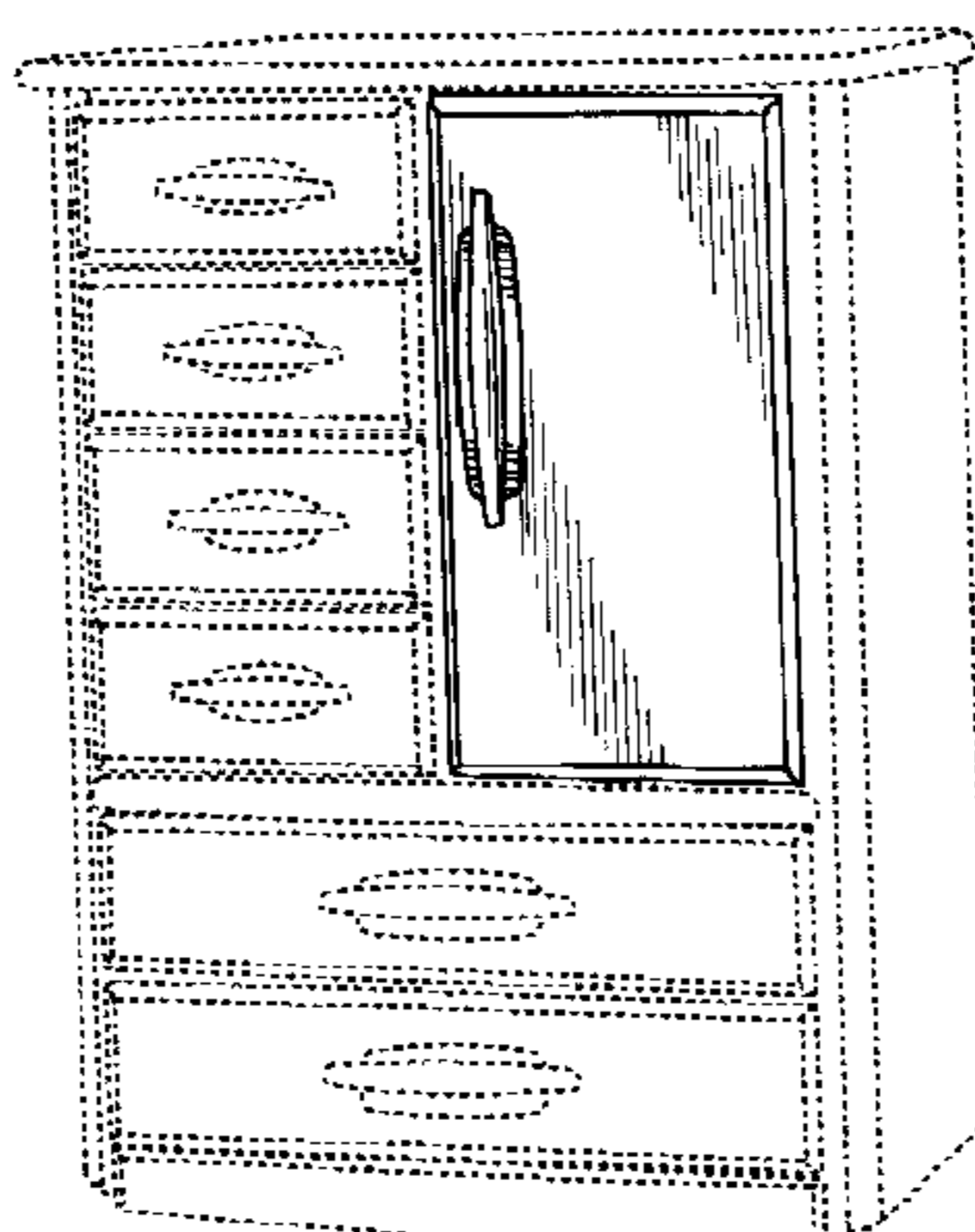
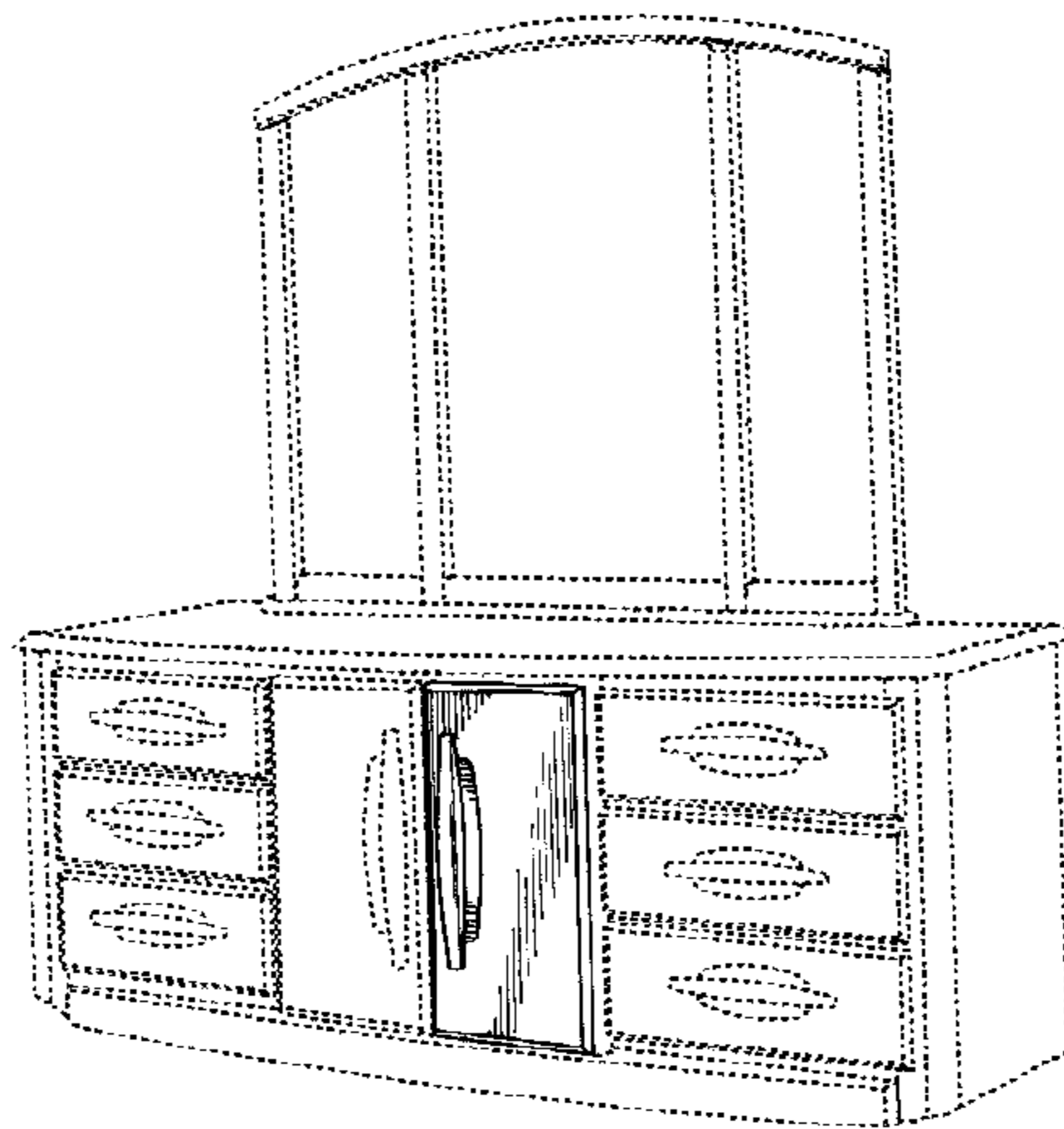
FIG. 4 is a front elevational view thereof;

FIG. 5 is a front right side perspective view of a third embodiment of the door panel shown in FIG. 1, the left side being a mirror image thereof; and,

FIG. 6 is a front, left side perspective view of a fourth embodiment of the door panel shown in FIG. 1, the left side being a mirror image thereof.

The broken lines shown throughout the views are for illustrative purposes only.

1 Claim, 6 Drawing Sheets



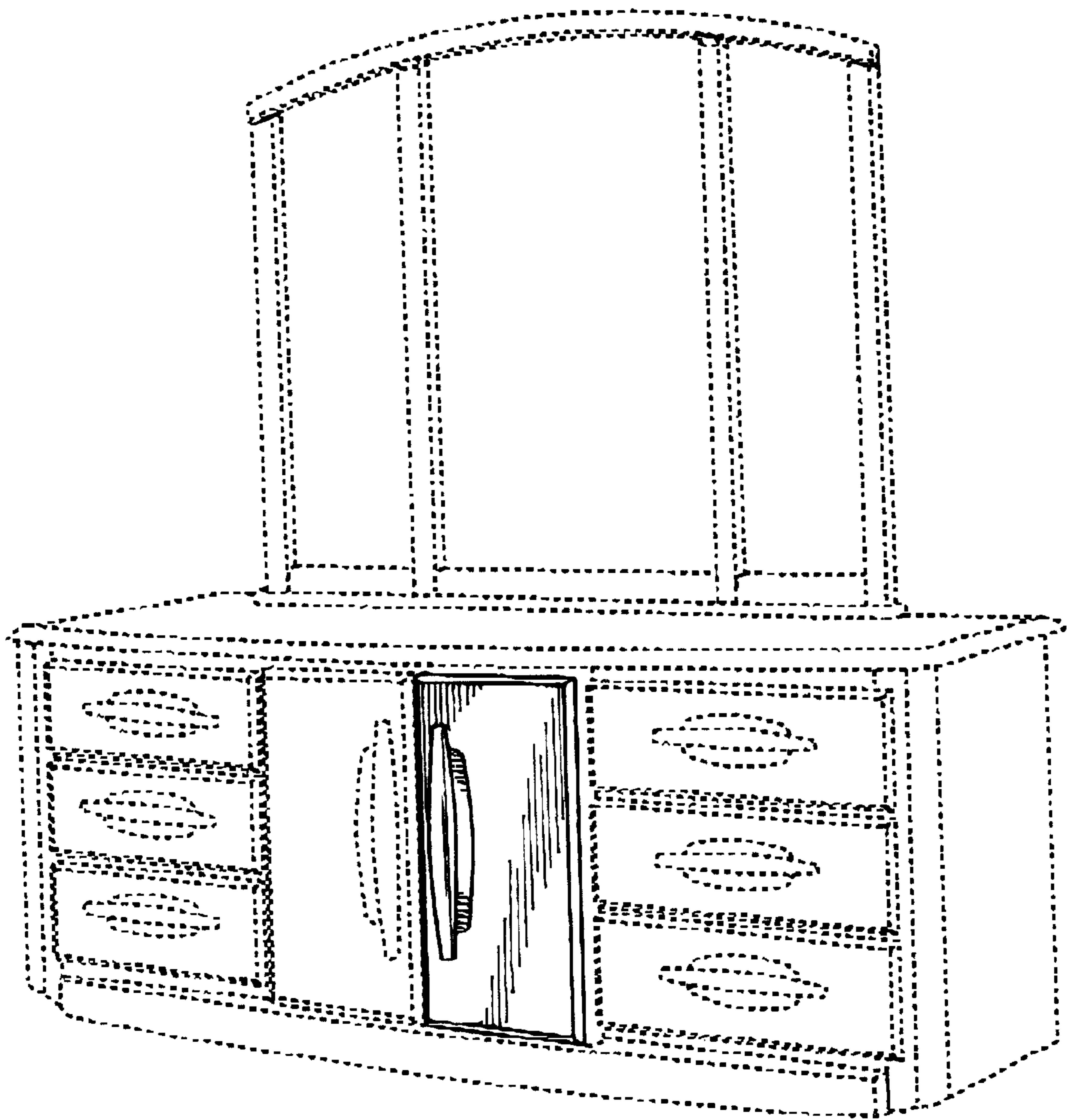


FIG. 1

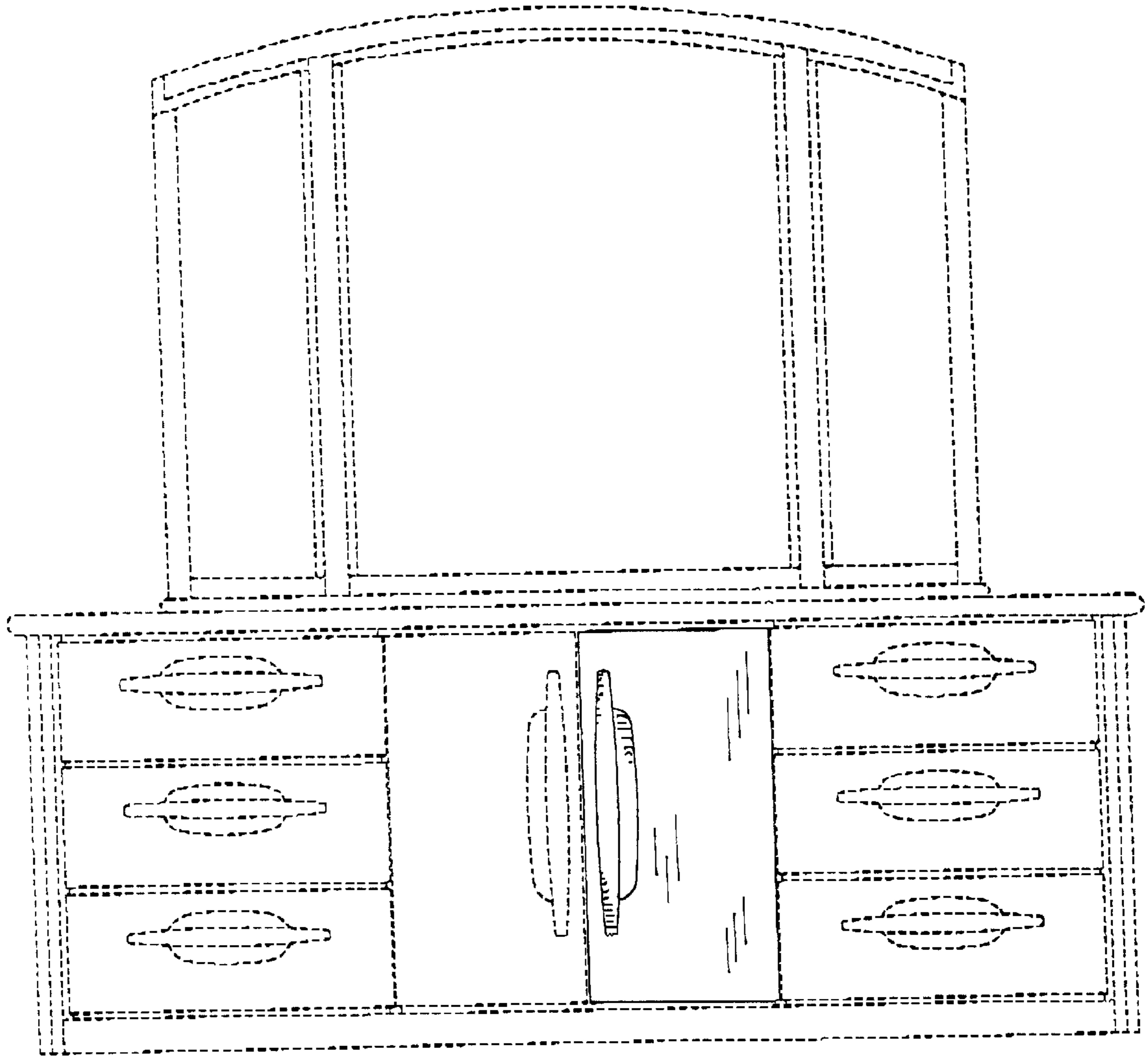


FIG. 2

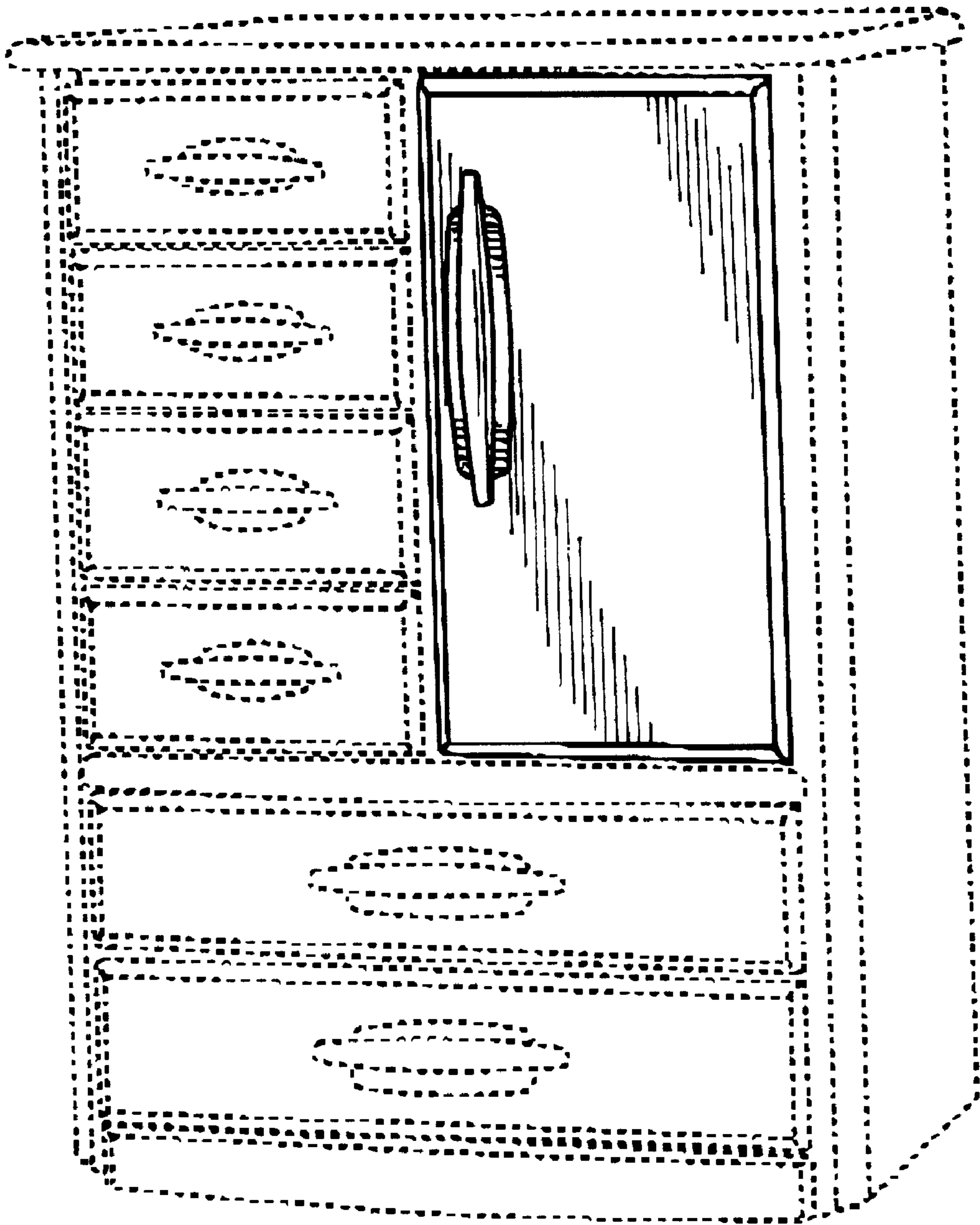


FIG. 3

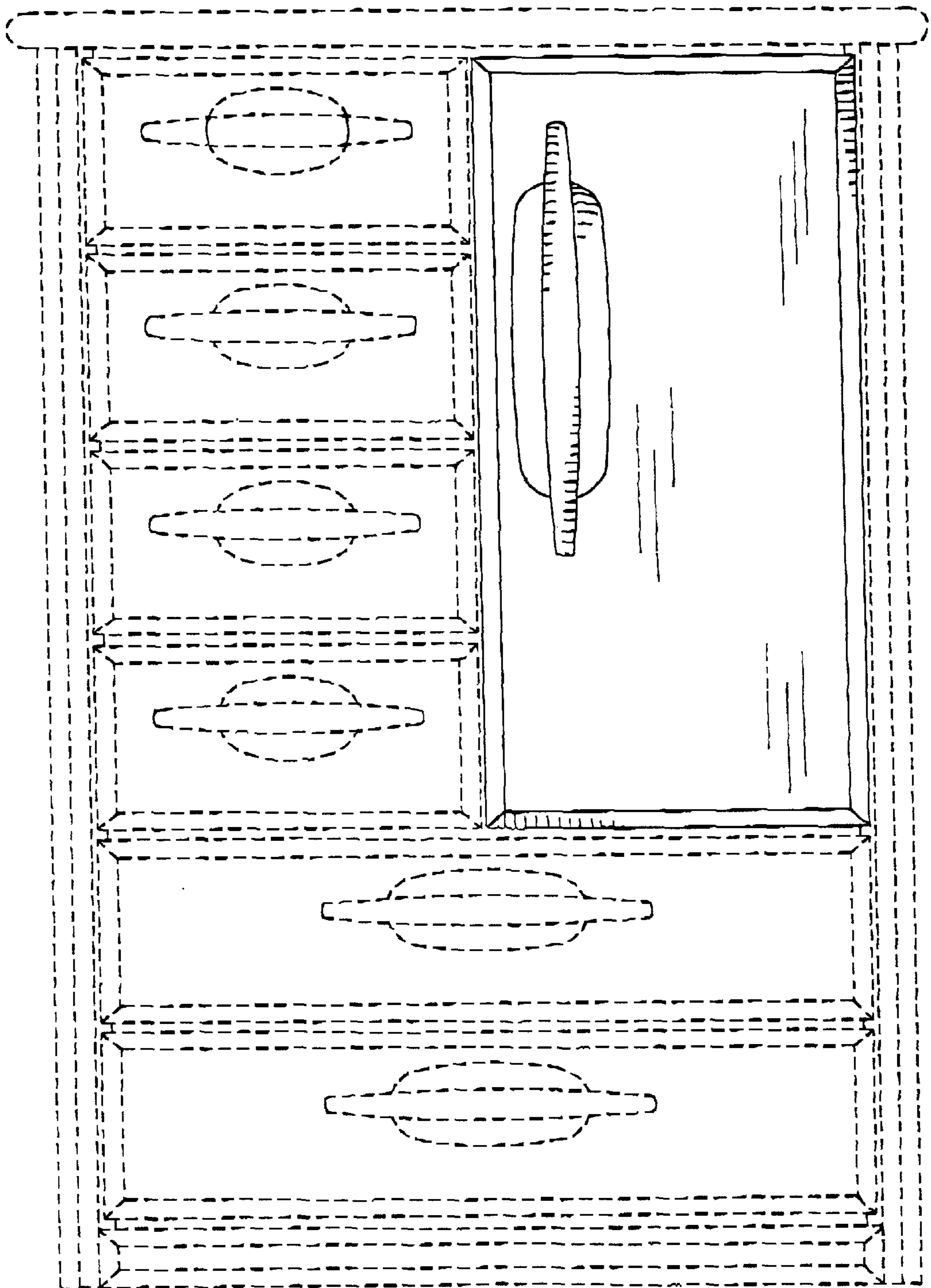


FIG. 4

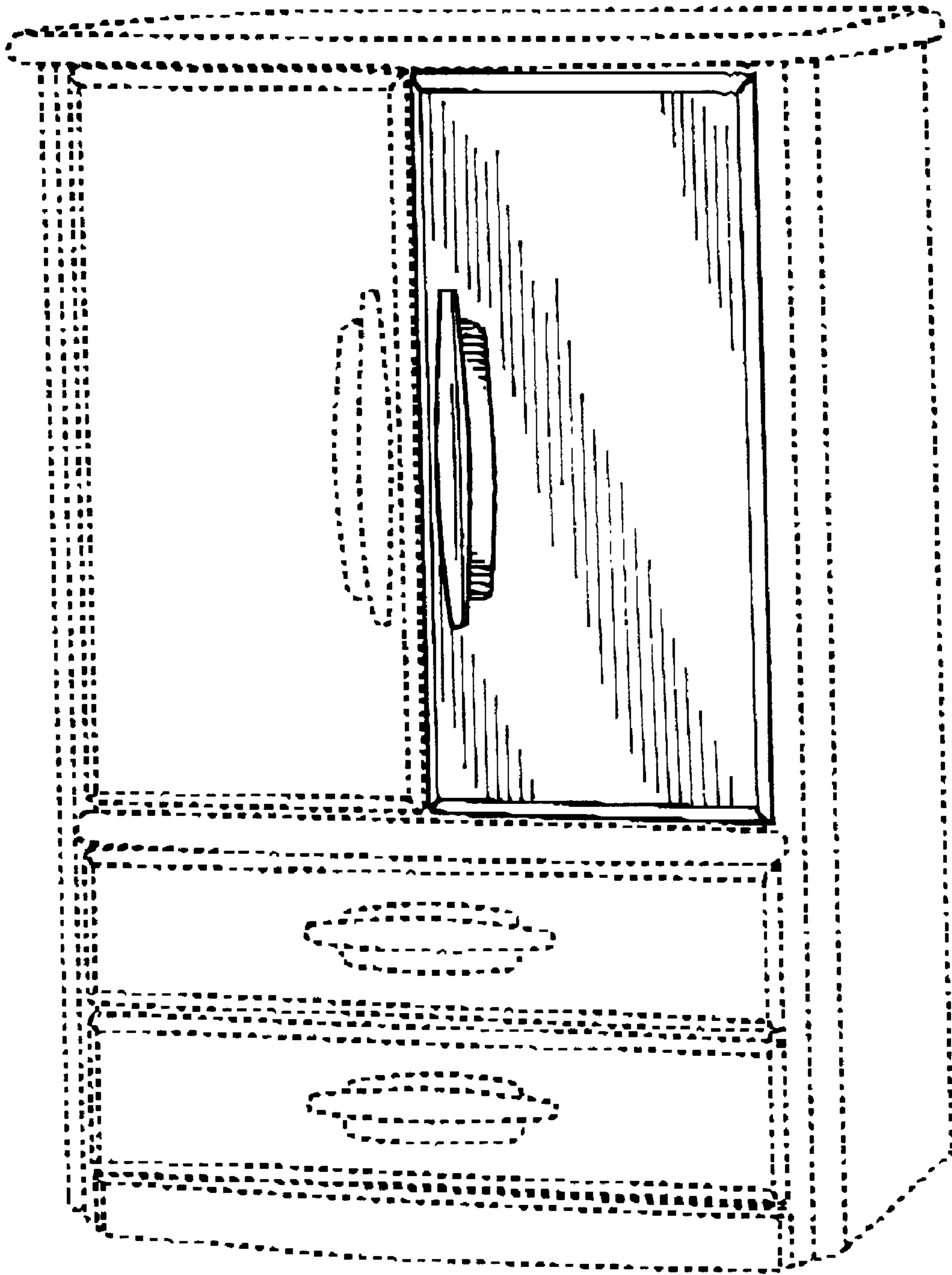


FIG. 5

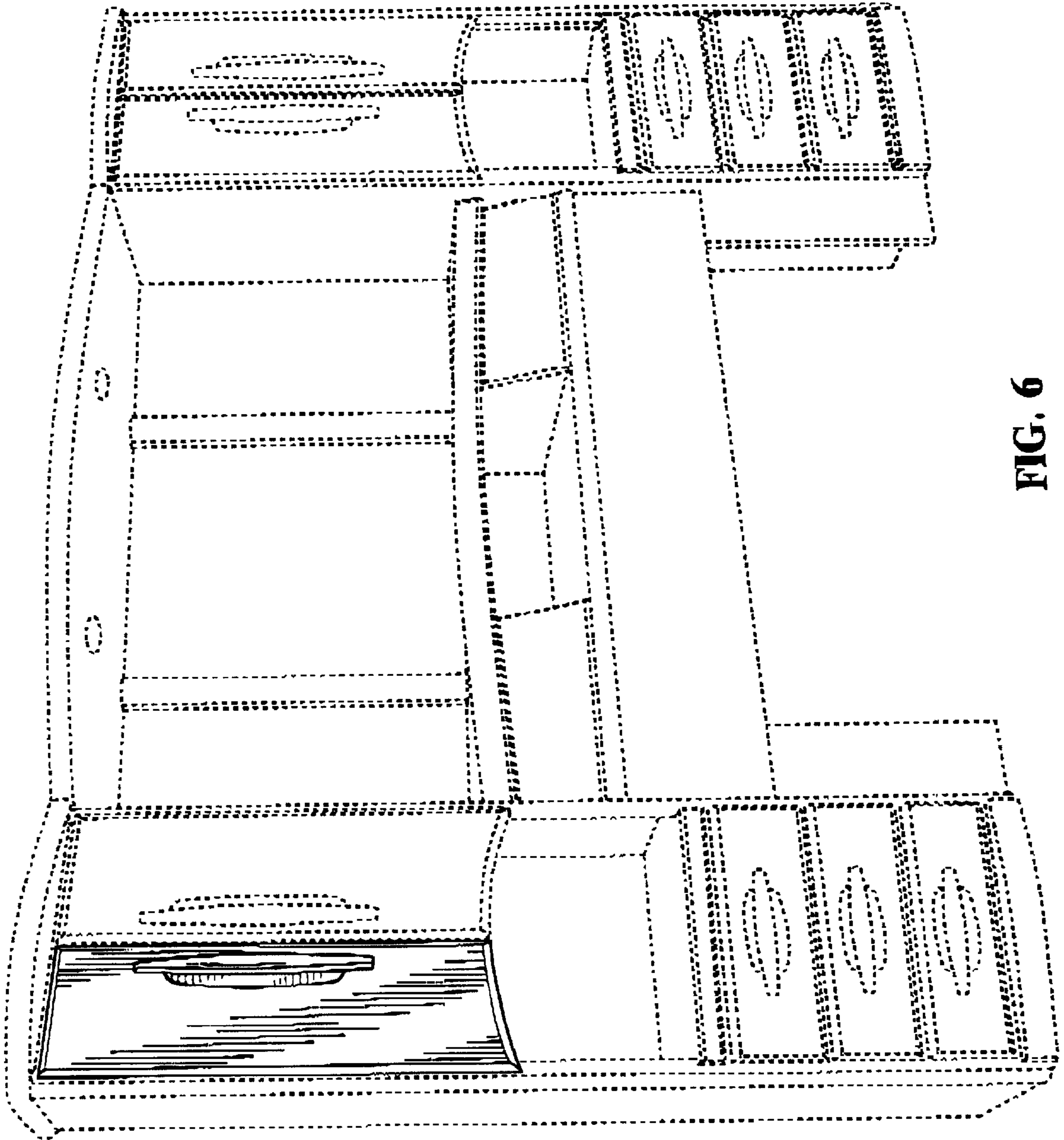


FIG. 6