



US00D418330S

United States Patent [19]
Schumacher

[11] **Patent Number: Des. 418,330**
[45] **Date of Patent: ** Jan. 4, 2000**

[54] **MERCHANDISE DISPLAY**

Attorney, Agent, or Firm—Keith Frantz

[76] Inventor: **Larry Schumacher**, 9436 Wright Ave.,
Machesney Park, Ill. 61115

[57] **CLAIM**

[**] Term: **14 Years**

The ornamental design for a merchandise display, as shown
and described.

[21] Appl. No.: **29/092,654**

DESCRIPTION

[22] Filed: **Aug. 25, 1998**

FIG. 1 is a perspective view showing my new design, with
a housing and display panels shown in broken lines for
purposes of illustration only and forming no part of the
claimed design.

[51] **LOC (7) Cl.** **06-04**

[52] **U.S. Cl.** **D6/461**

[58] **Field of Search** D6/454, 455, 457,
D6/458, 461, 470; 211/85.3, 95, 107, 41.13,
163, 165, 168, 169; 40/376, 389, 403, 497,
723, 124, 124.2, 124.4; D20/21; 312/97.1

FIG. 2 is a front view thereof.

FIG. 3 is an enlarged top plan view taken substantially along
the line 3—3 of FIG. 2.

[56] **References Cited**

U.S. PATENT DOCUMENTS

D. 334,215	3/1993	Rowlands .	
D. 343,971	2/1994	McClave	D6/455
D. 393,379	4/1998	Alber	D6/454
3,478,893	11/1969	Crosslen	211/163
4,320,591	3/1982	Dorman .	
4,490,932	1/1985	McIntire .	
4,702,534	10/1987	Witt et al. .	
5,280,840	1/1994	Terpening .	

FIG. 4 is a perspective view of one of the panel display
racks, shown separately for clarity of illustration.

FIG. 5 is an enlarged side view showing one panel of the
rack shown in FIG. 4, shown broken away for convenience
of illustration.

FIG. 6 is an enlarged side view similar to FIG. 5 showing a
second embodiment of a panel that may be used in my new
design; and,

FIG. 7 is a front view similar to FIG. 2 showing an alternate
embodiment of my new design, with a housing and display
panels shown in broken lines for purposes of illustration
only and forming no part of the claimed design, it being
understood that all the other surfaces are the same as the first
embodiment shown in FIG. 1-5.

Primary Examiner—Doris V. Coles
Assistant Examiner—Linda Brooks

1 Claim, 6 Drawing Sheets

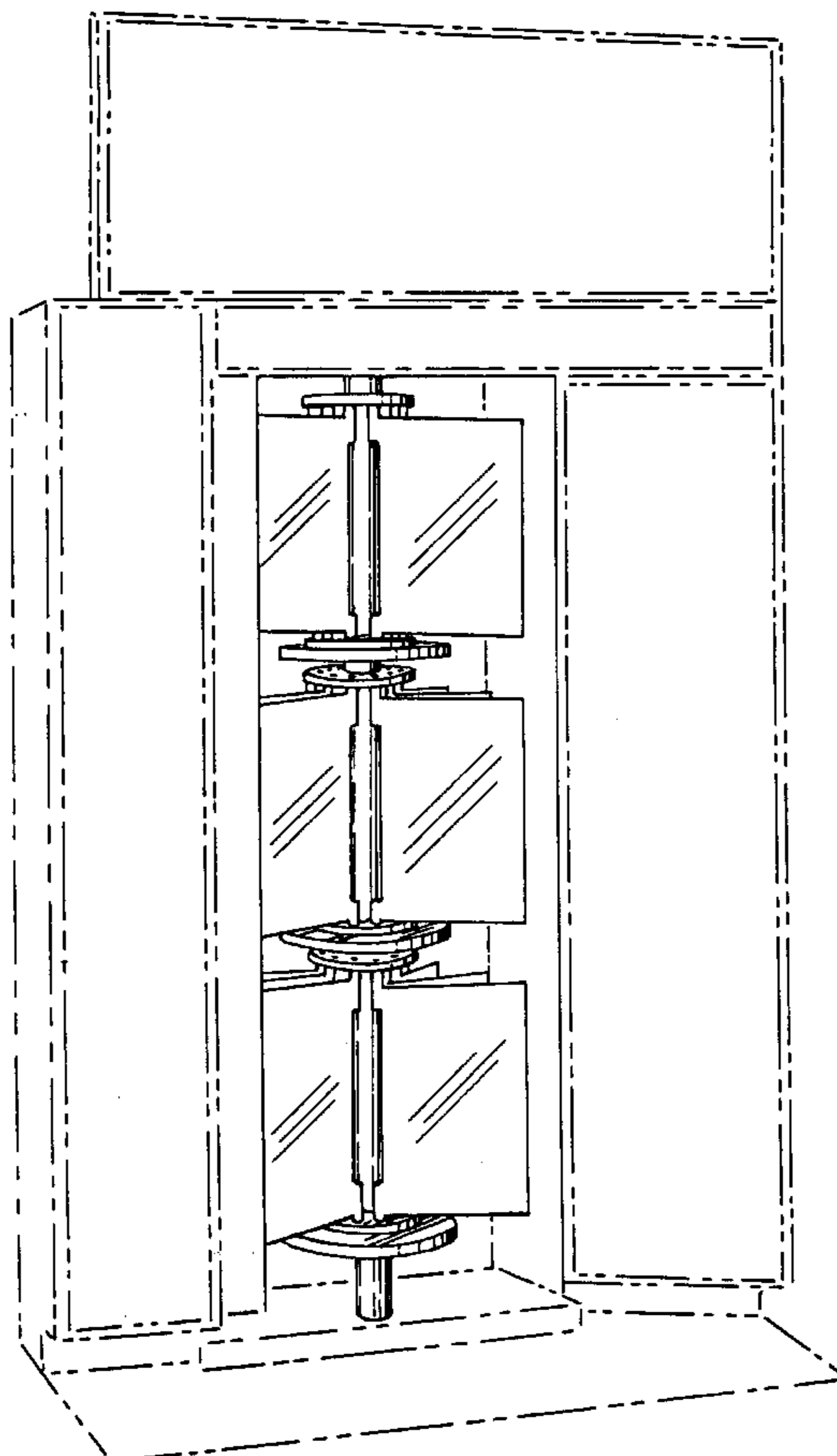


FIG.1

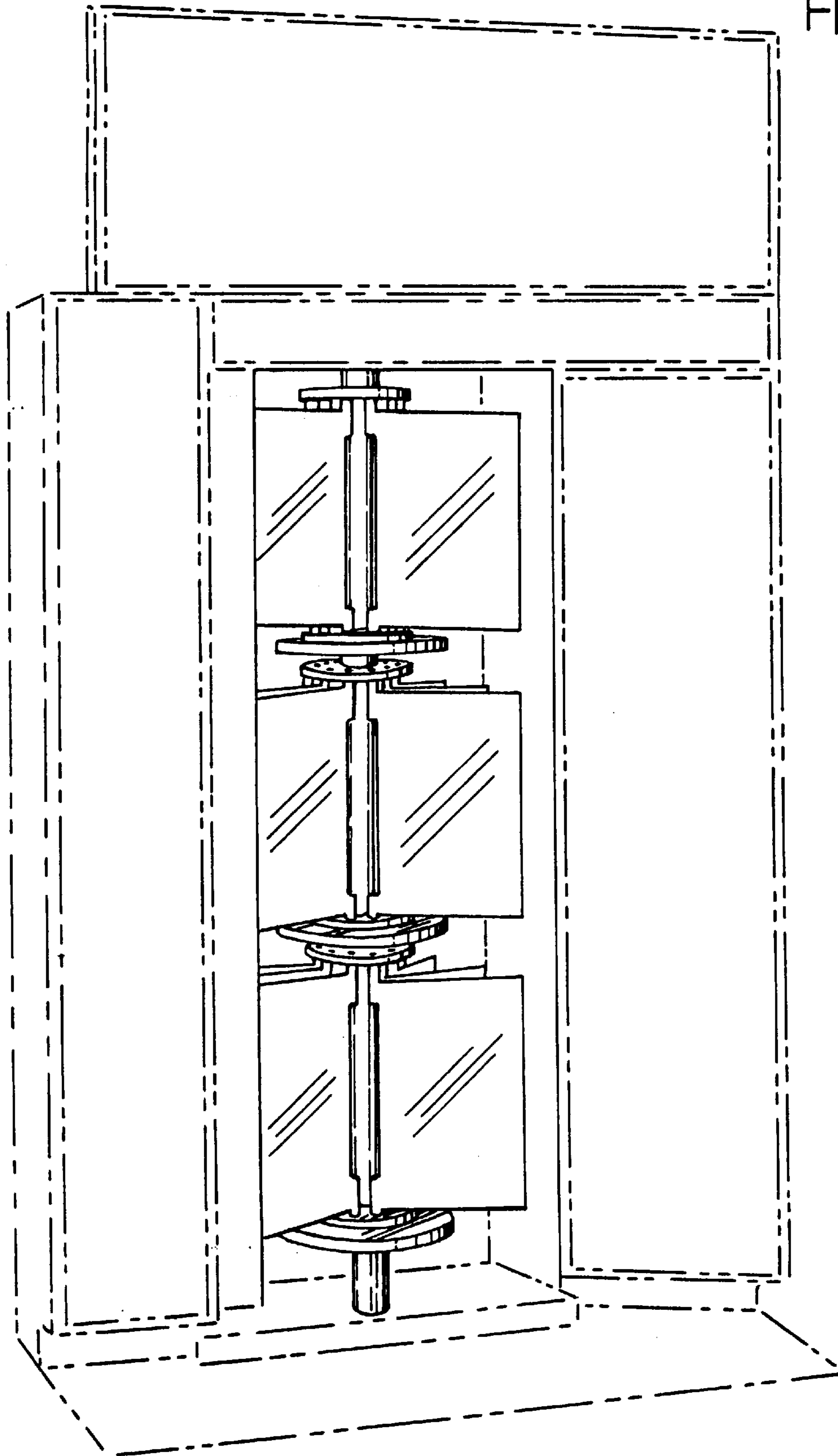
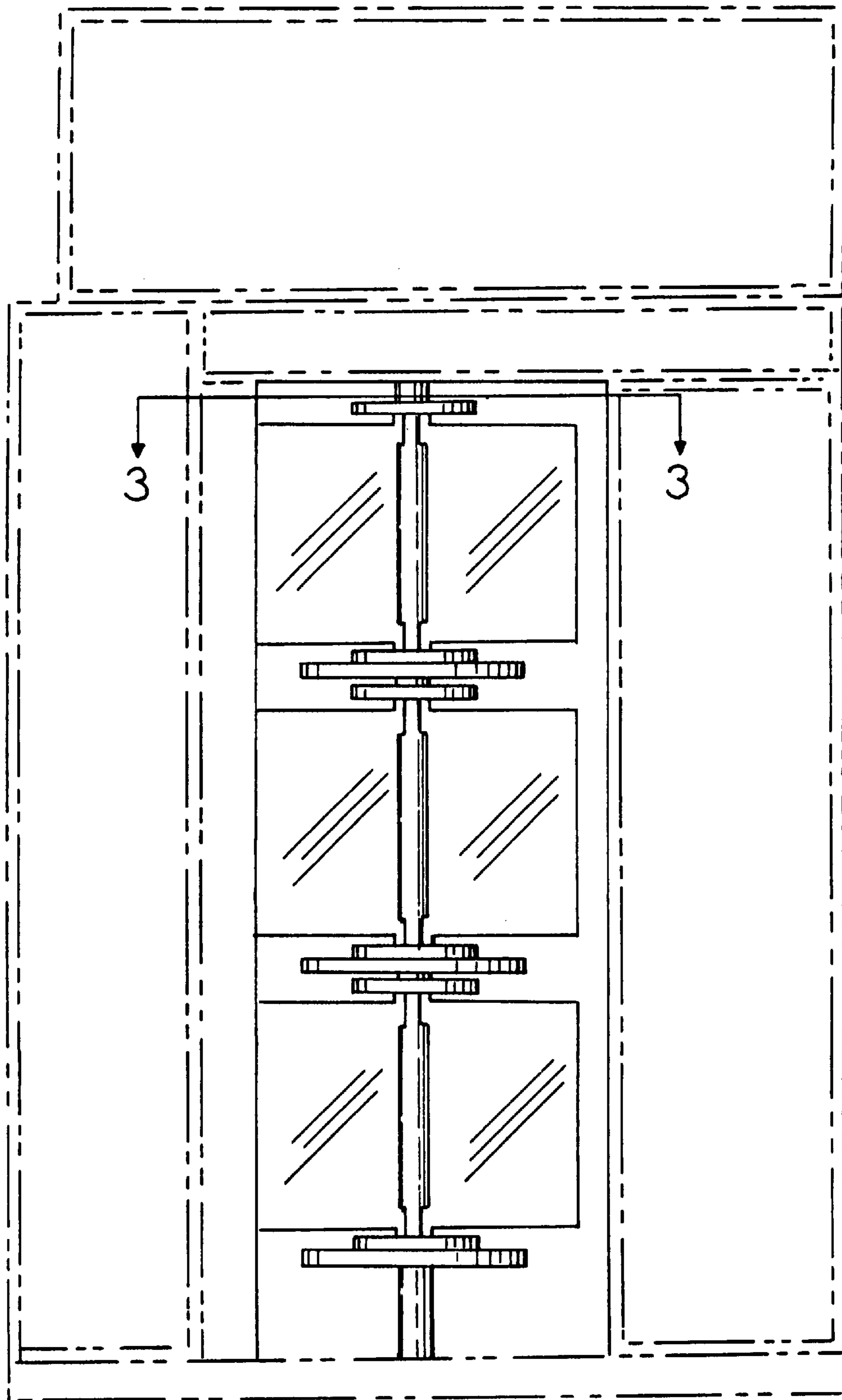
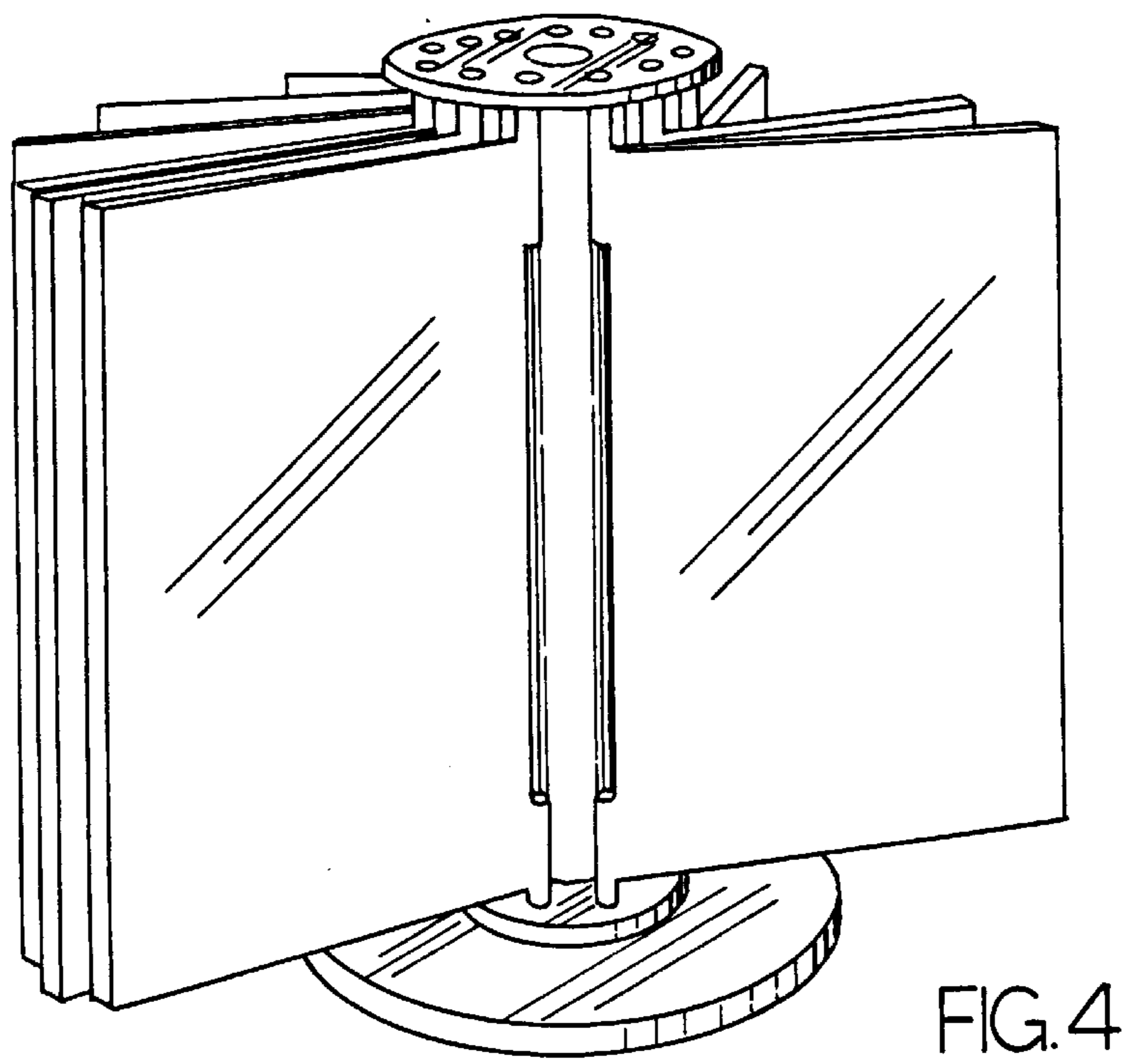
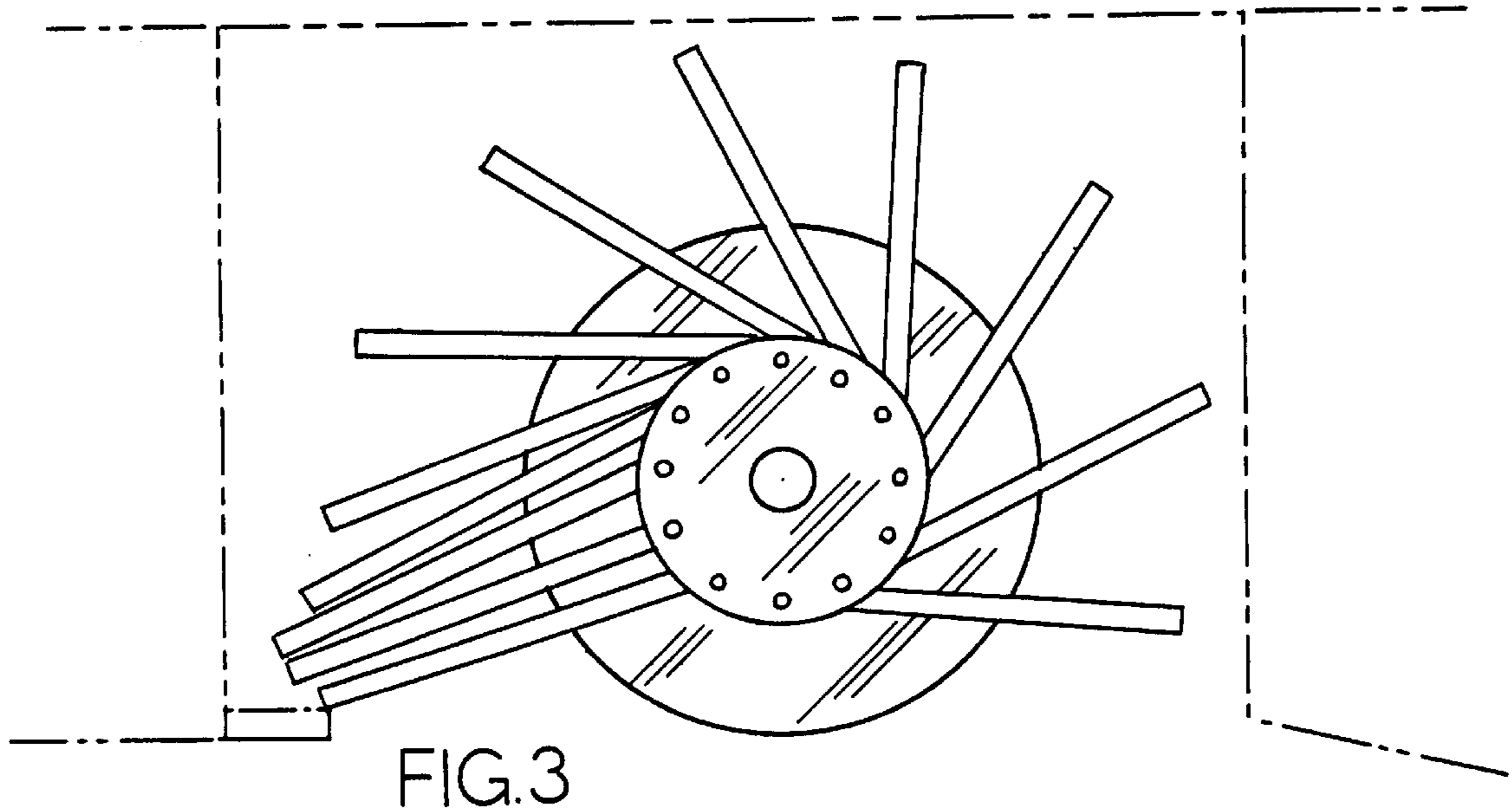


FIG. 2





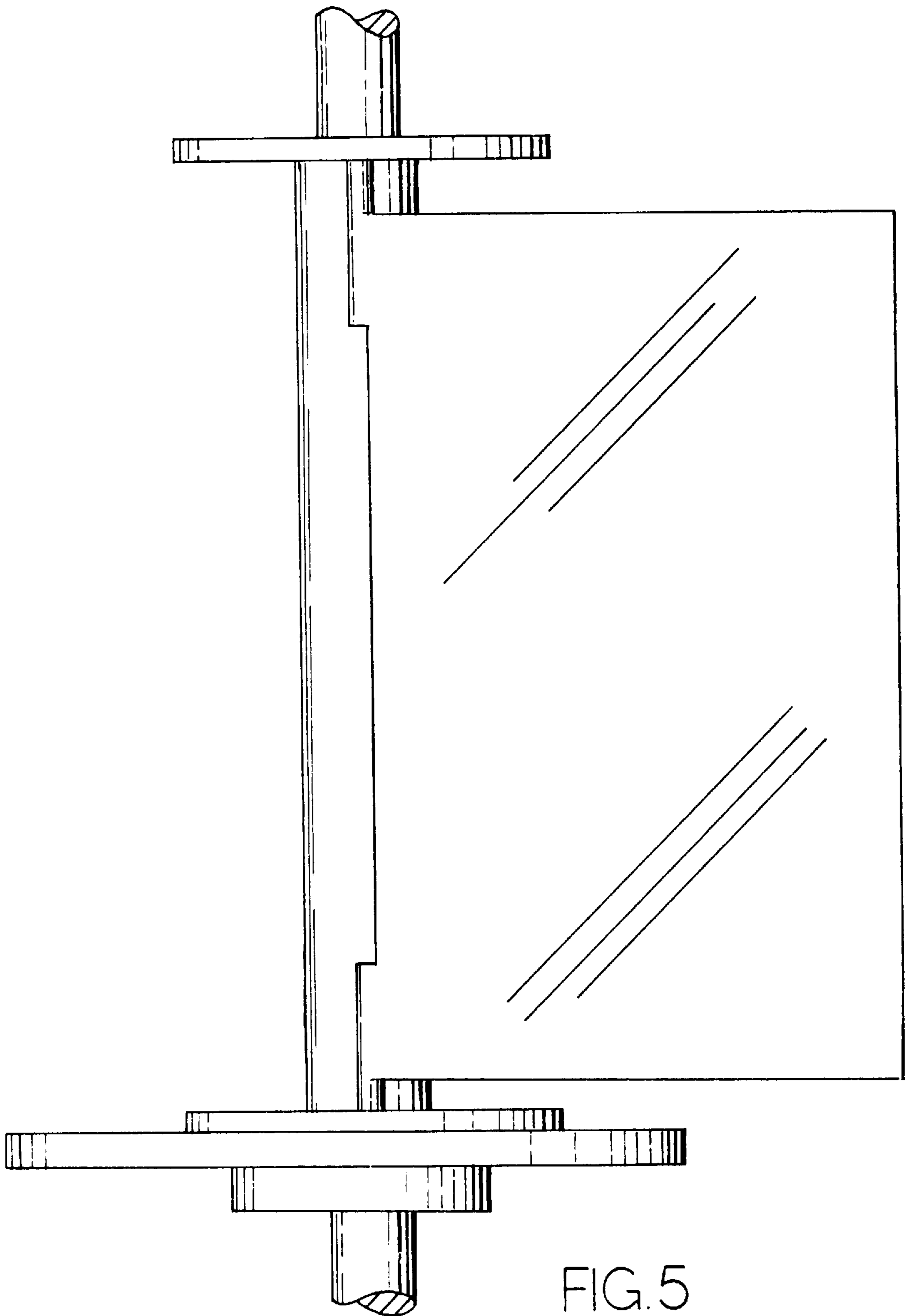


FIG. 5

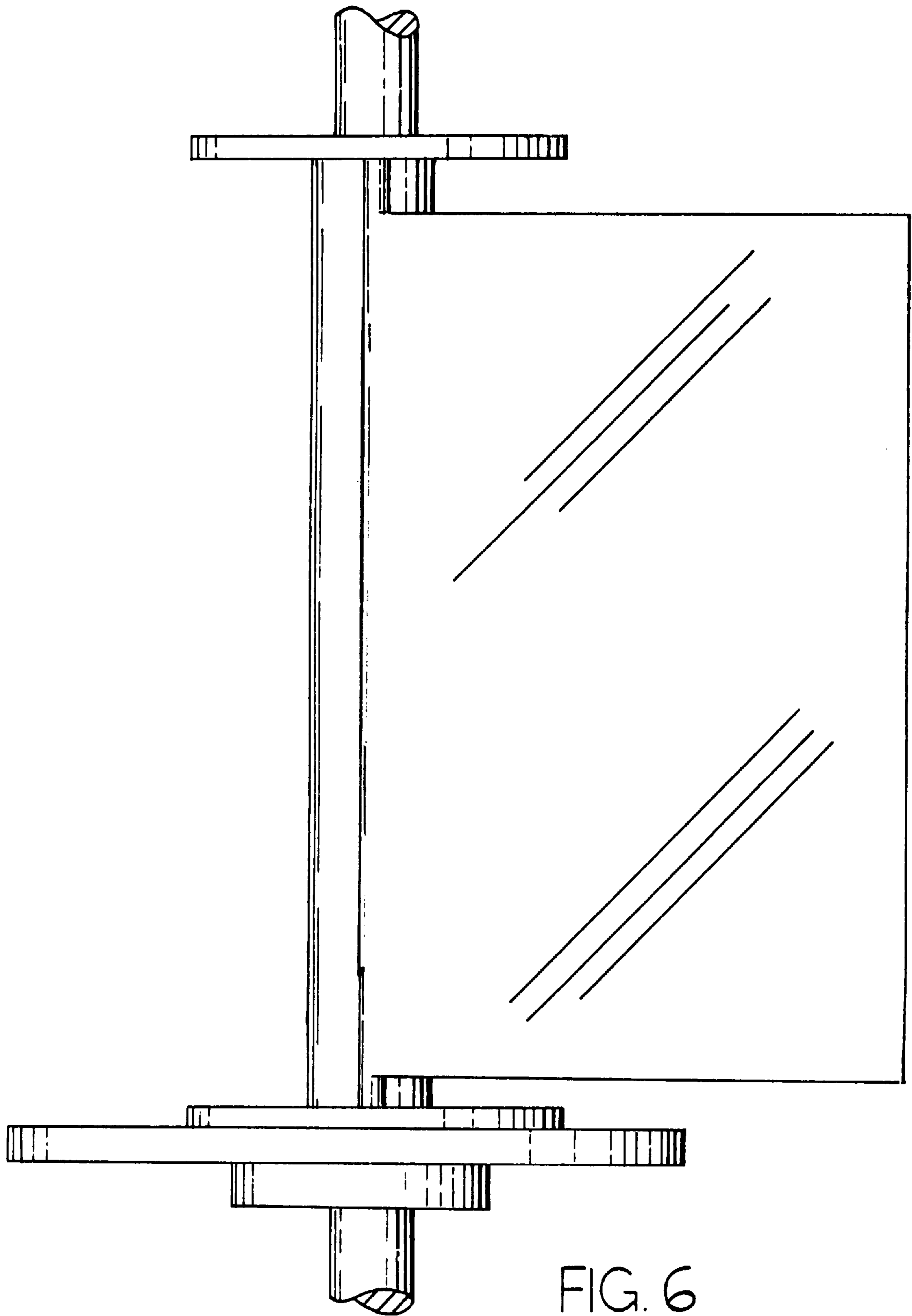


FIG. 6

FIG. 7

