



US00D418327S

United States Patent [19]

Sullins et al.

[11] Patent Number: Des. 418,327

[45] Date of Patent: ** Jan. 4, 2000

[54] **LAP DESK**

[75] Inventors: **Patrick H. Sullins; Robert D. Sullins,**
both of Arlington, Tex.

[73] Assignee: **Creative Manufacturing, Inc.,**
Arlington, Tex.

[**] Term: **14 Years**

[21] Appl. No.: **29/096,678**

[22] Filed: **Nov. 17, 1998**

[51] **LOC (7) Cl.** **06-01**

[52] **U.S. Cl.** **D6/406.3**

[58] **Field of Search** D6/406.3, 406.5,
D6/406.6, 419, 339, 511; D19/92; 108/43,
44; D3/274; D7/550.1, 554.3, 698, 555,
553.2; 190/11; D28/73

2,955,972 10/1960 Wintermute et al. 154/110

3,146,143 8/1964 Bolesky et al. 156/212

3,318,636 5/1967 Callum 297/457

3,407,757 10/1968 Warner 108/43

3,661,684 5/1972 Rallis et al. 156/583

4,035,458 7/1977 Lyman 264/46.4

4,052,944 10/1977 Jennings 108/43

4,099,278 7/1978 Parisi 5/361 B

4,114,213 9/1978 Beernaerts et al. 5/345

4,229,847 10/1980 Degen 5/481

4,428,479 1/1984 Shirako et al. 206/307

4,513,974 4/1985 Lin 273/239

4,537,646 8/1985 Hoyle 156/212

4,547,920 10/1985 Hulsebusch et al. 5/468

4,700,634 10/1987 Mills et al. 108/43

4,717,024 1/1988 Djezovic 206/581

5,000,327 3/1991 Kincheloe 281/45

5,090,334 2/1992 Sutton 108/43

5,222,764 6/1993 Dyer 281/45

5,265,735 11/1993 Hassel et al. 211/11

5,297,814 3/1994 Peters 281/45

5,487,466 1/1996 Robson 206/214

5,516,151 5/1996 Mund et al. 281/45

5,823,574 10/1998 Sullins et al. 281/45

[56] References Cited

U.S. PATENT DOCUMENTS

D. 39,729 12/1908 Smead D19/92

D. 202,250 9/1965 Hauser D3/274

D. 253,438 11/1979 Markley D3/274

D. 284,526 7/1986 Freeman D3/274

D. 286,894 11/1986 Haas et al. D19/88

D. 298,955 12/1988 Zovar D19/88

D. 303,186 9/1989 Mills et al. D6/399

D. 331,076 11/1992 Montgomery D19/88

D. 333,161 2/1993 Hartnett D19/26 X

D. 334,026 3/1993 Polansky D19/92 X

D. 346,701 5/1994 Colley, III D6/330

D. 353,623 12/1994 Jones et al. D19/90 X

D. 358,270 5/1995 Diamond D6/601

D. 359,399 6/1995 Rath D6/419

D. 362,565 9/1995 Tubbs et al. D6/406

D. 364,503 11/1995 Johnson D3/273

D. 366,780 2/1996 Brooks D6/406.3

D. 376,948 12/1996 Sullins et al. D6/601

D. 388,463 12/1997 Sullins et al. D6/419

D. 390,718 2/1998 Howland et al. D6/406.5

1,364,022 12/1920 Bauer .

1,460,502 7/1923 Rudesill 24/67.7

1,928,806 10/1933 Barcalo 5/636

2,705,522 1/1955 Kamborian 154/41

2,946,604 7/1960 Hunger et al. 281/34

OTHER PUBLICATIONS

Heritage Products Advertisement, Book Buddy.
Levenger Tools for Serious Readers, Early Summer 1993,
Readers Pillow, #AF050, p.3.

Primary Examiner—M. N. Pandozzi
Attorney, Agent, or Firm—Sidley & Austin

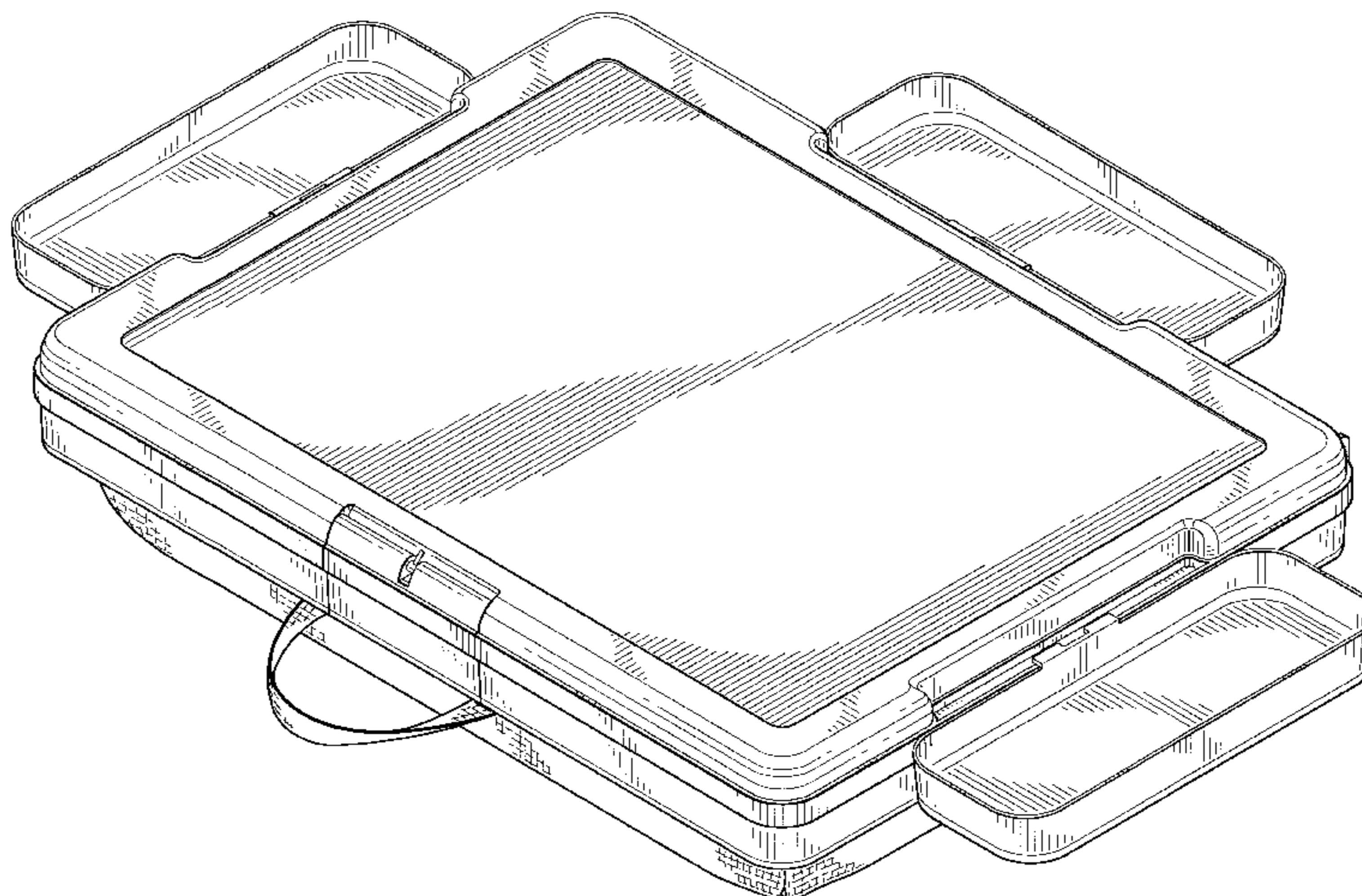
[57] CLAIM

The ornamental design for a lap desk, as shown and described.

DESCRIPTION

FIG. 1 is a perspective view of an alternative embodiment of our design shown in FIG. 1;
FIG. 2 is a top view of the design of FIG. 7;
FIG. 3 is a front view of the design of FIG. 7;
FIG. 4 is a left side view of the design of FIG. 7, the right side view being identical;
FIG. 5 is a back view of the design of FIG. 7; and,
FIG. 6 is a bottom view of the design of FIG. 7.

1 Claim, 4 Drawing Sheets



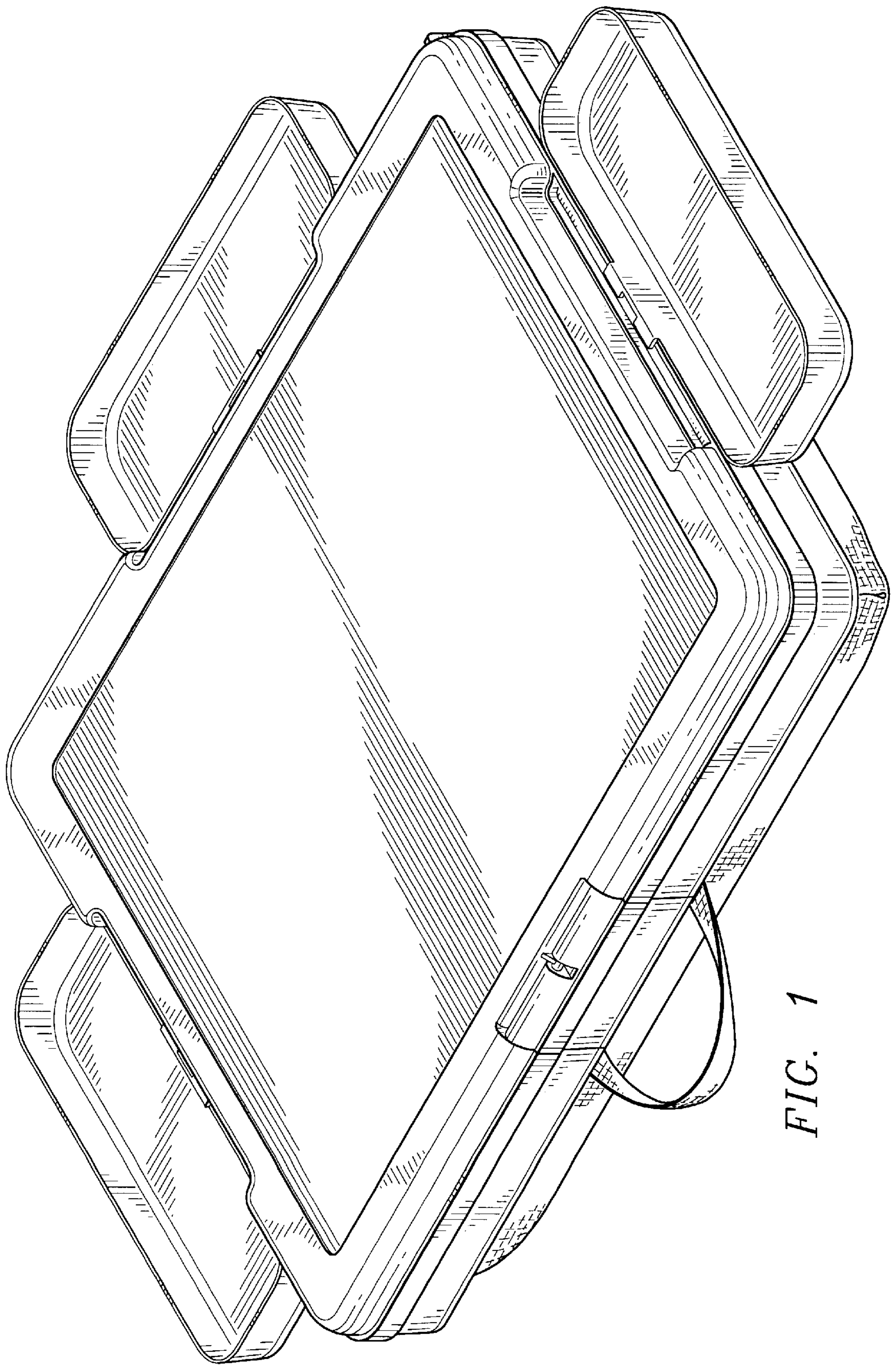


FIG. 1

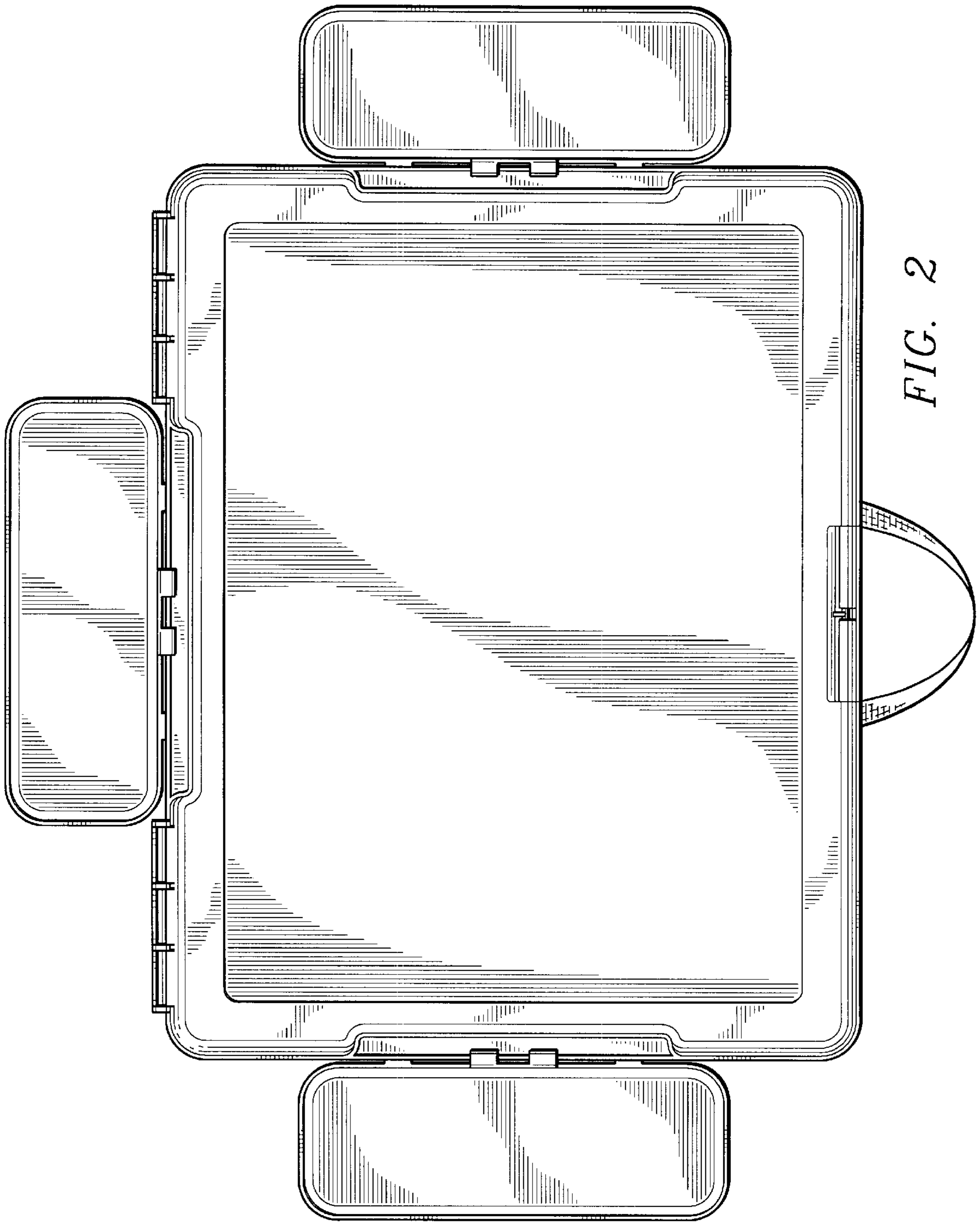


FIG. 2

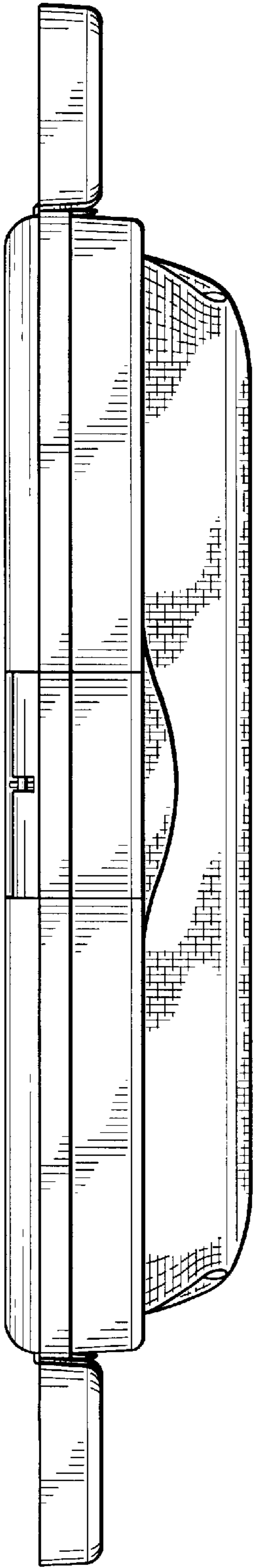


FIG. 3

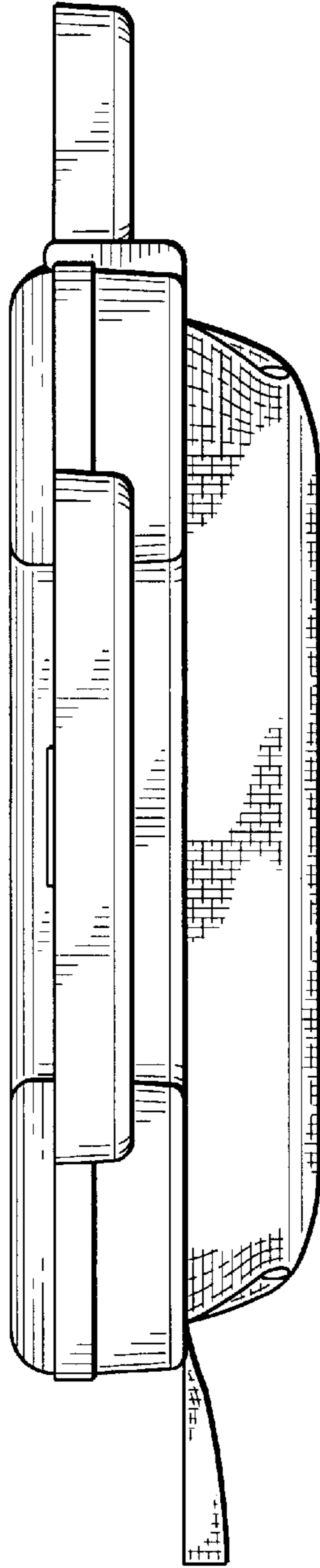


FIG. 4

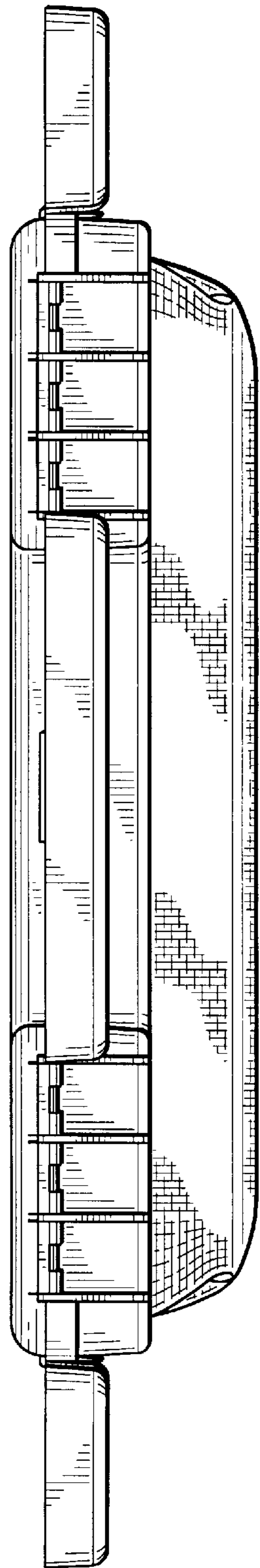


FIG. 5

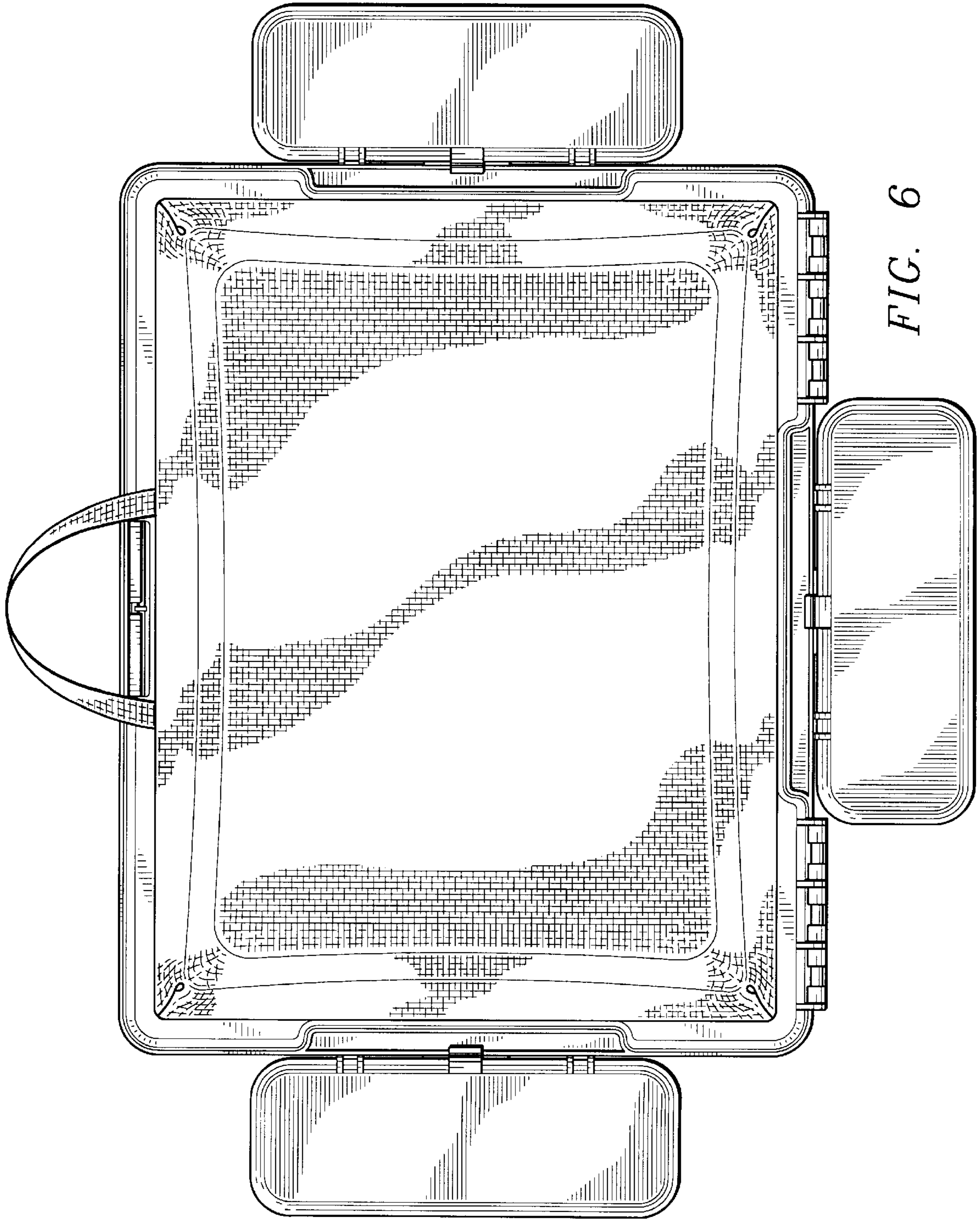


FIG. 6

UNITED STATES PATENT AND TRADEMARK OFFICE
CERTIFICATE OF CORRECTION

PATENT NO. : Des. 418,327
DATED : January 4, 2000
INVENTOR(S) : Patrick H. SULLINS et al.

It is certified that error appears in the above-identified patent and that said Letters Patent is hereby corrected as shown below:

Line 3, delete "FIG. 2 is a top view of the design of FIG. 7", and
insert --FIG. 2 is a top view of the design of FIG. 1--.

Line 4, delete "FIG. 3 is a front view of the design of FIG. 7", and
insert --FIG. 3 is a front view of the design of FIG. 1--.

Line 5, delete "FIG. 4 is a left side view of the design of FIG. 7", and
insert --FIG. 4 is a left side view of the design of FIG. 1--.

Line 7, delete "FIG. 5 is a back view of the design of FIG. 7", and
insert --FIG. 5 is a back view of the design of FIG. 1--.

Line 8, delete "FIG. 6 is a bottom view of the design of FIG. 7", and
insert --FIG. 6 is a bottom view of the design of FIG. 1--.

Signed and Sealed this

Fifteenth Day of May, 2001

Attest:



NICHOLAS P. GODICI

Attesting Officer

Acting Director of the United States Patent and Trademark Office