



US00D418326S

United States Patent [19]

Sexton et al.

[11] Patent Number: Des. 418,326

[45] Date of Patent: ** Jan. 4, 2000

[54] BENCH

[75] Inventors: Douglas Sexton, Burlington, Canada; Peter Murphy; Andrew Bissett, both of Auckland, New Zealand

[73] Assignee: Sellex Outdoor, Burlington, Canada

[**] Term: 14 Years

[21] Appl. No.: 29/095,442

[22] Filed: Oct. 22, 1998

[51] LOC (7) Cl. 06-01

[52] U.S. Cl. D6/381; D6/335; D6/357

[58] Field of Search D6/334, 335, 336, D6/357, 364, 370, 371, 373, 374, 375, 379, 381, 397, 500, 501, 502; D20/19, 43; 40/320, 727; 297/217.1, 217.5, 232, 452.14, DIG. 2

[56] References Cited

U.S. PATENT DOCUMENTS

D. 51,553	12/1917	Haase	D6/370
D. 57,644	4/1921	Haase	D6/357
D. 74,504	2/1928	Haase	D6/370
D. 122,598	9/1940	Henkel et al.	D6/375
D. 165,952	2/1952	Weatherly	D6/375
D. 215,839	11/1969	Wormser	D6/357
D. 230,384	2/1974	Bialosky	D6/371
D. 278,003	3/1985	Gagliano	.	
D. 286,586	11/1986	Radford	D6/334
D. 297,983	10/1988	Friedman	.	
D. 360,995	8/1995	Pedersen	D6/371
D. 362,348	9/1995	Lodispoto	.	
D. 374,992	10/1996	Burdick et al.	D6/334

D. 379,564	6/1997	Burdick et al.	D6/381
D. 383,618	9/1997	Burdick et al.	D6/381
1,222,089	4/1917	Ferry	40/320
2,659,422	11/1953	Holland	40/320 X
2,711,786	6/1955	Weiss	297/232 X
3,337,260	8/1967	Proctor	D6/381 X
3,811,728	5/1974	Redemske	.	
4,717,202	1/1988	Batchelder, III et al.	.	
5,329,716	7/1994	Fite	297/232 X

FOREIGN PATENT DOCUMENTS

68663 6/1991 Canada .

Primary Examiner—Gary D. Watson

Attorney, Agent, or Firm—Paul S. Sharpe; Marks & Clerk

[57] CLAIM

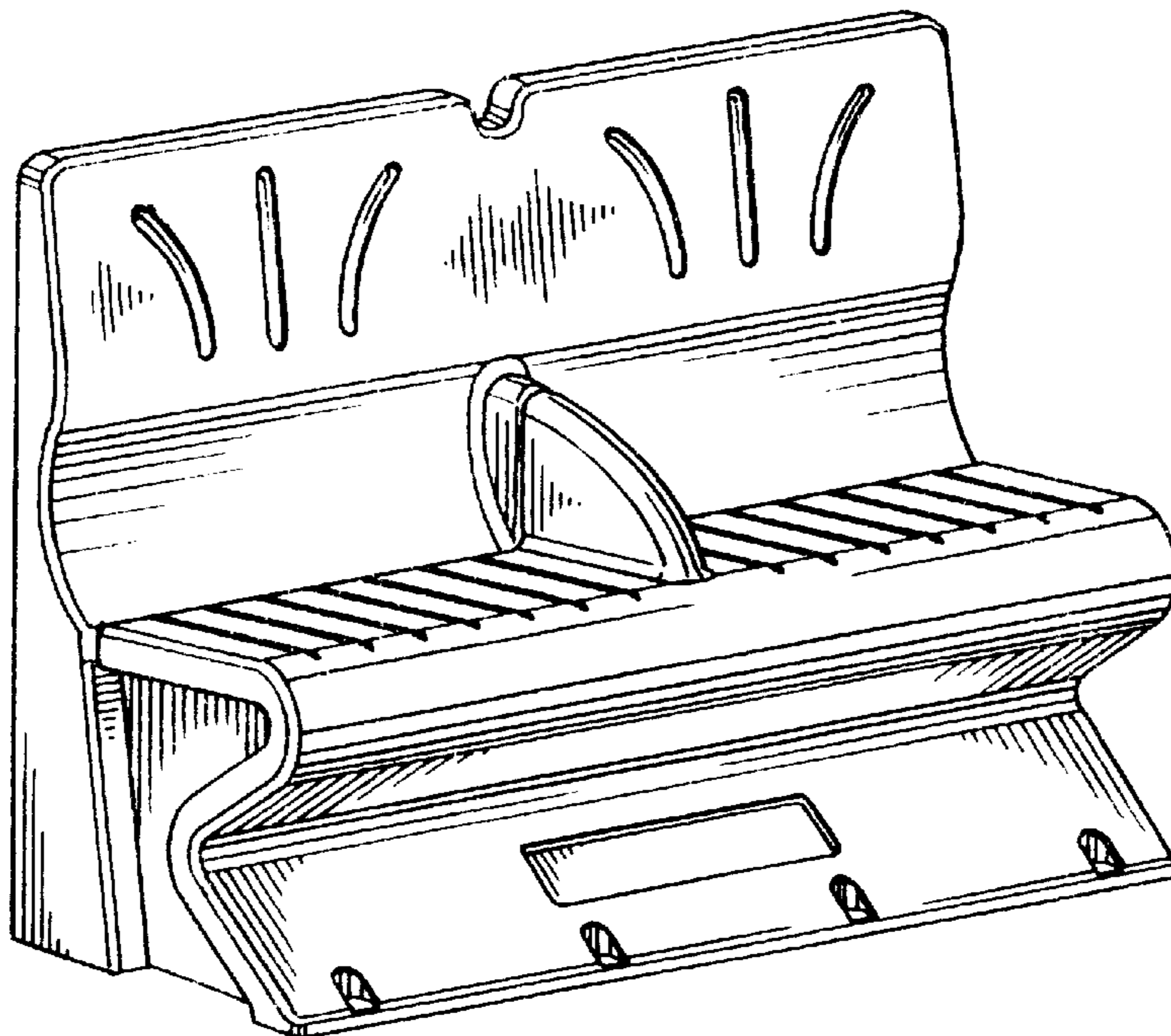
The ornamental design for a bench, as shown and described.

DESCRIPTION

FIG. 1 is a perspective view of the design; FIG. 2 is a front elevation view of the design; FIG. 3 is a rear elevation view of the design; FIG. 4 is a top plan view of the design; FIG. 5 is a bottom plan view of the design; FIG. 6 is a side view of one side of the design; FIG. 7 is a side view of the other side of the design; FIG. 8 is a perspective view of a variant of the design; and, FIG. 9 is a perspective view of a further variant of the design.

FIGS. 8 and 9, embodiments two and three, are like FIGS. 1 through 7, the difference being that FIG. 8 shows two benches back-to-back and FIG. 9 shows two benches side-by-side.

1 Claim, 4 Drawing Sheets



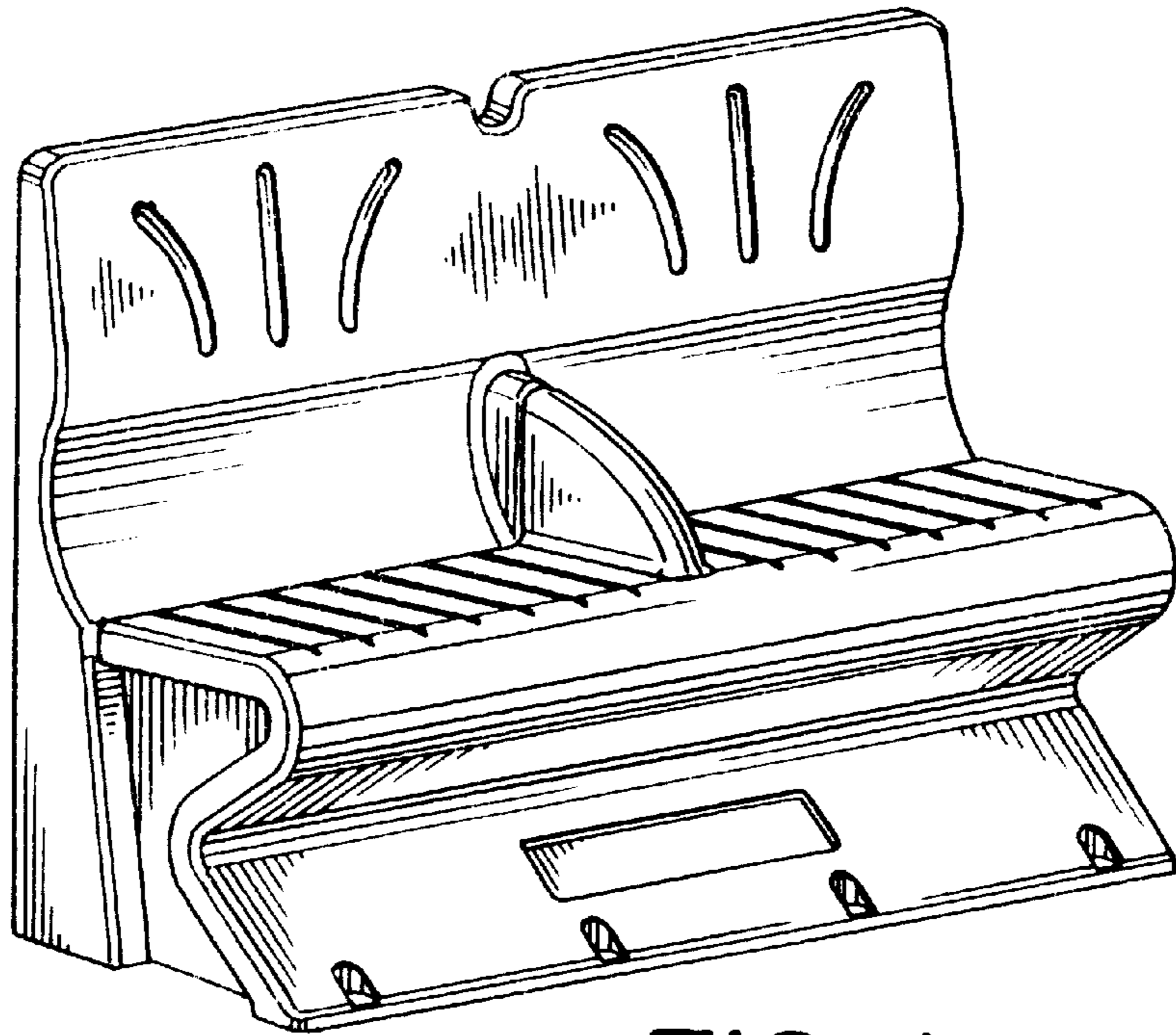


FIG. 1

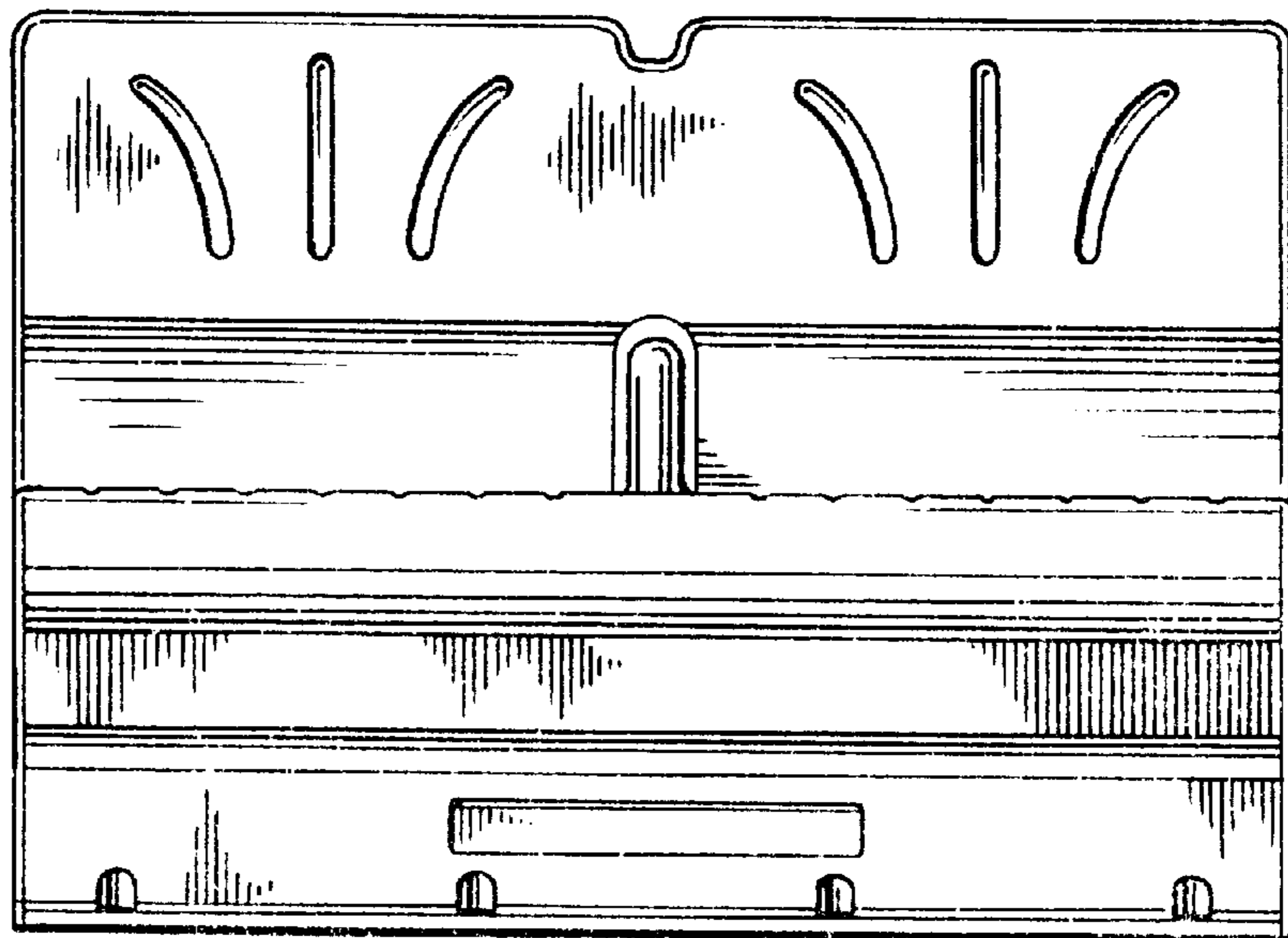


FIG. 2

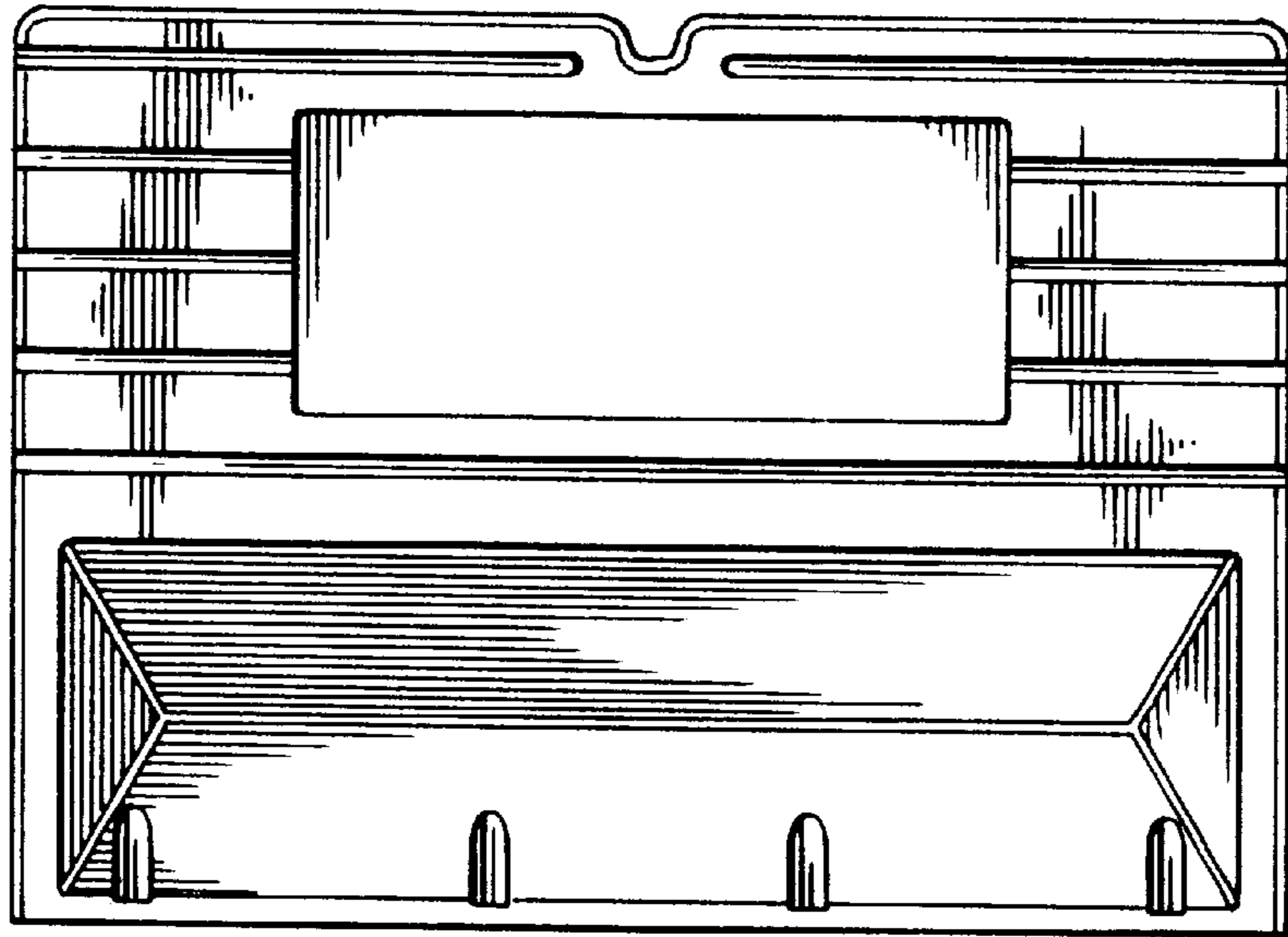


FIG. 3

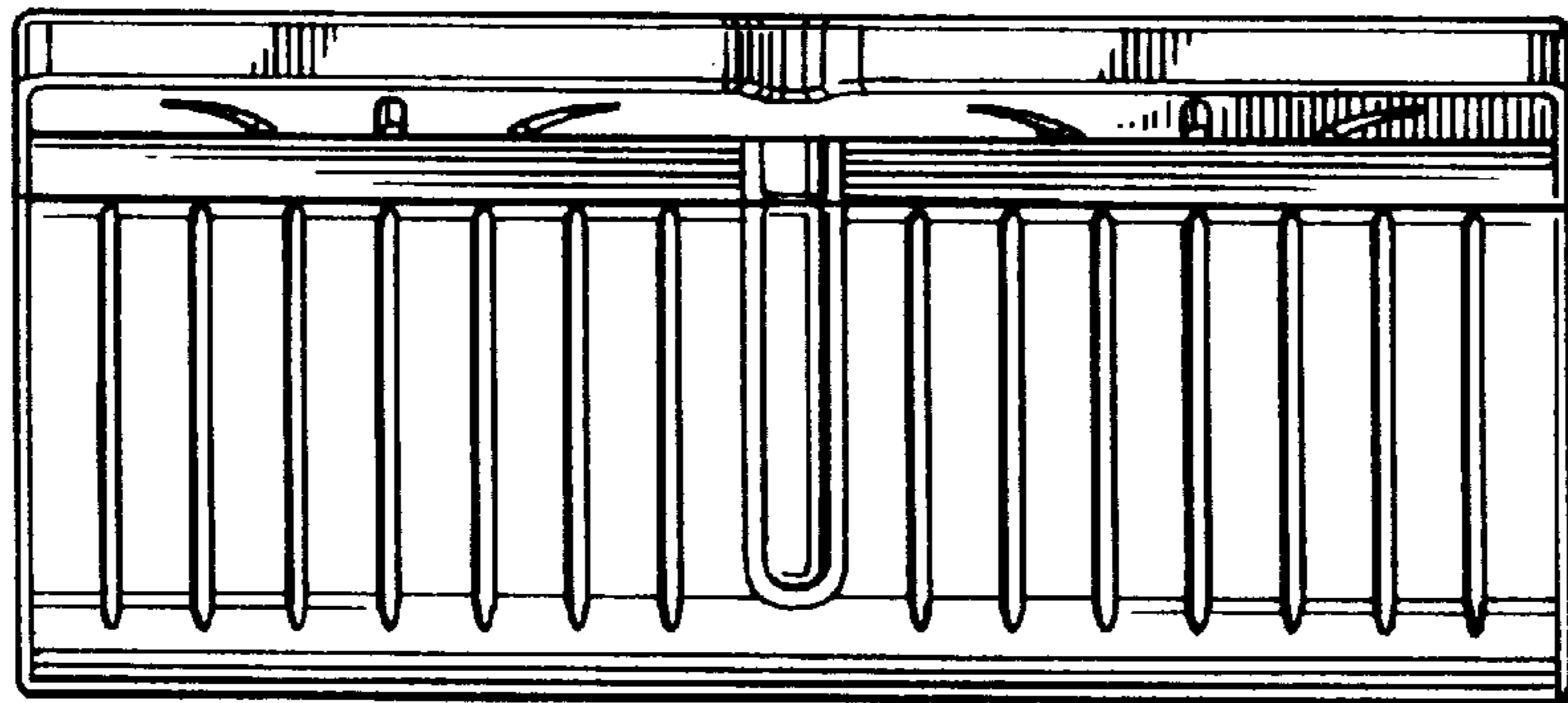


FIG. 4

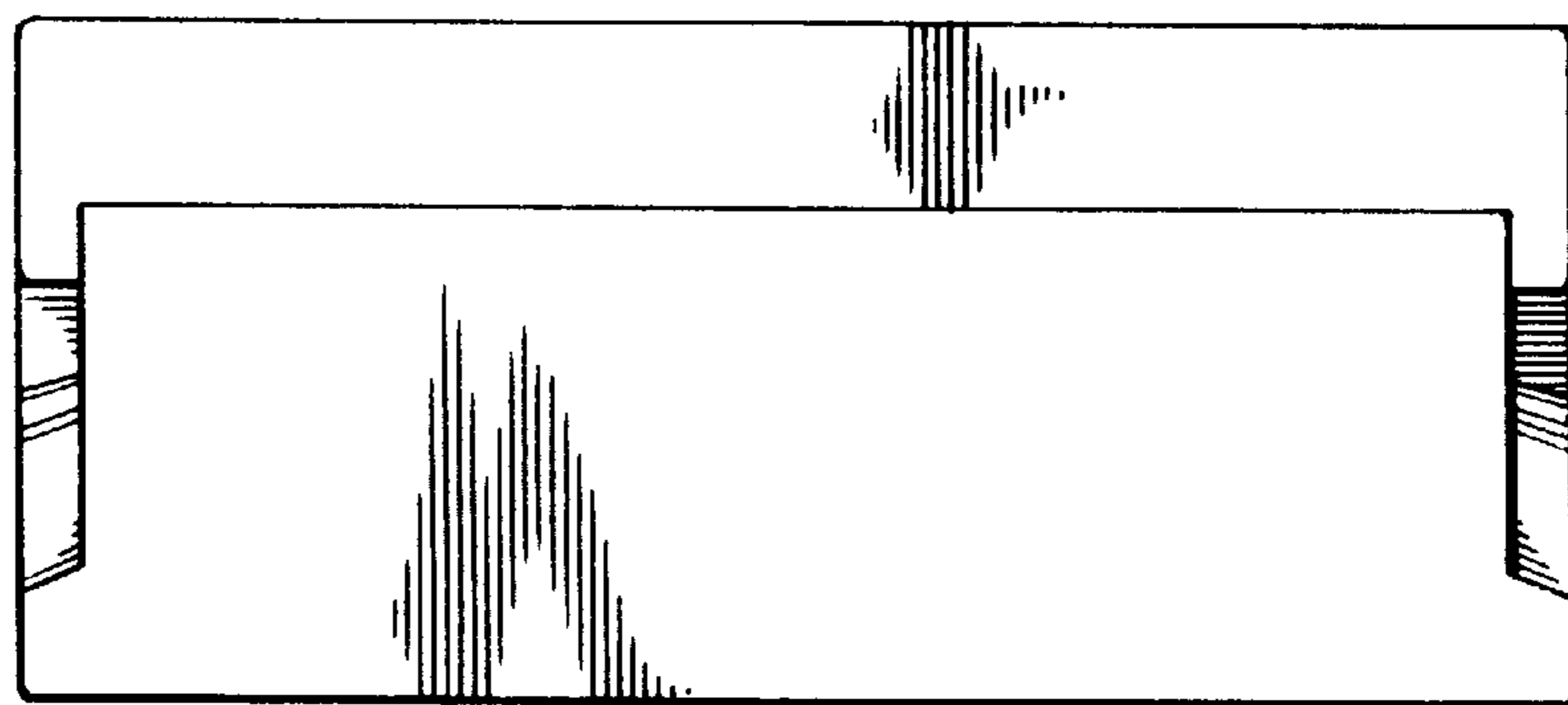


FIG. 5

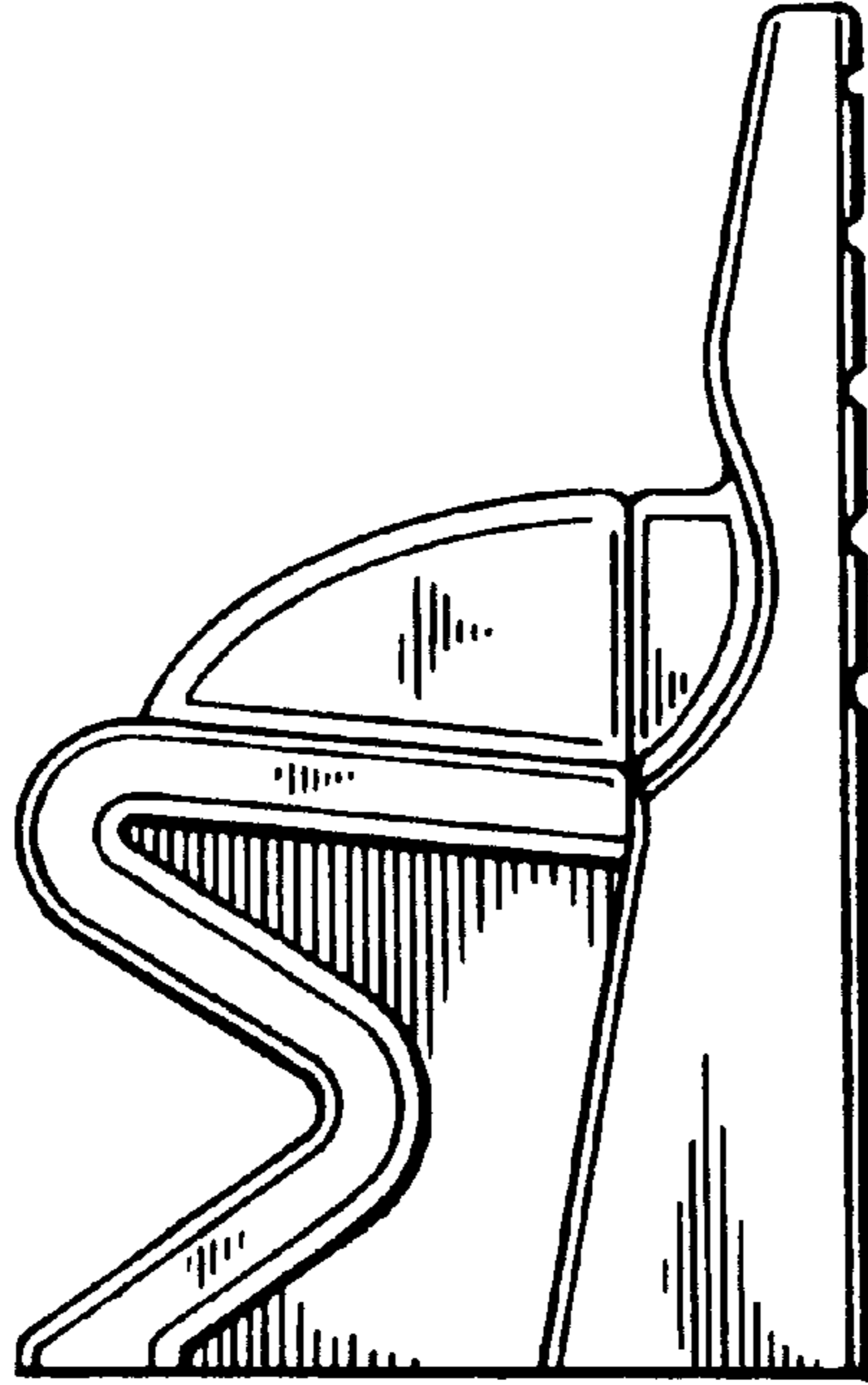


FIG. 6

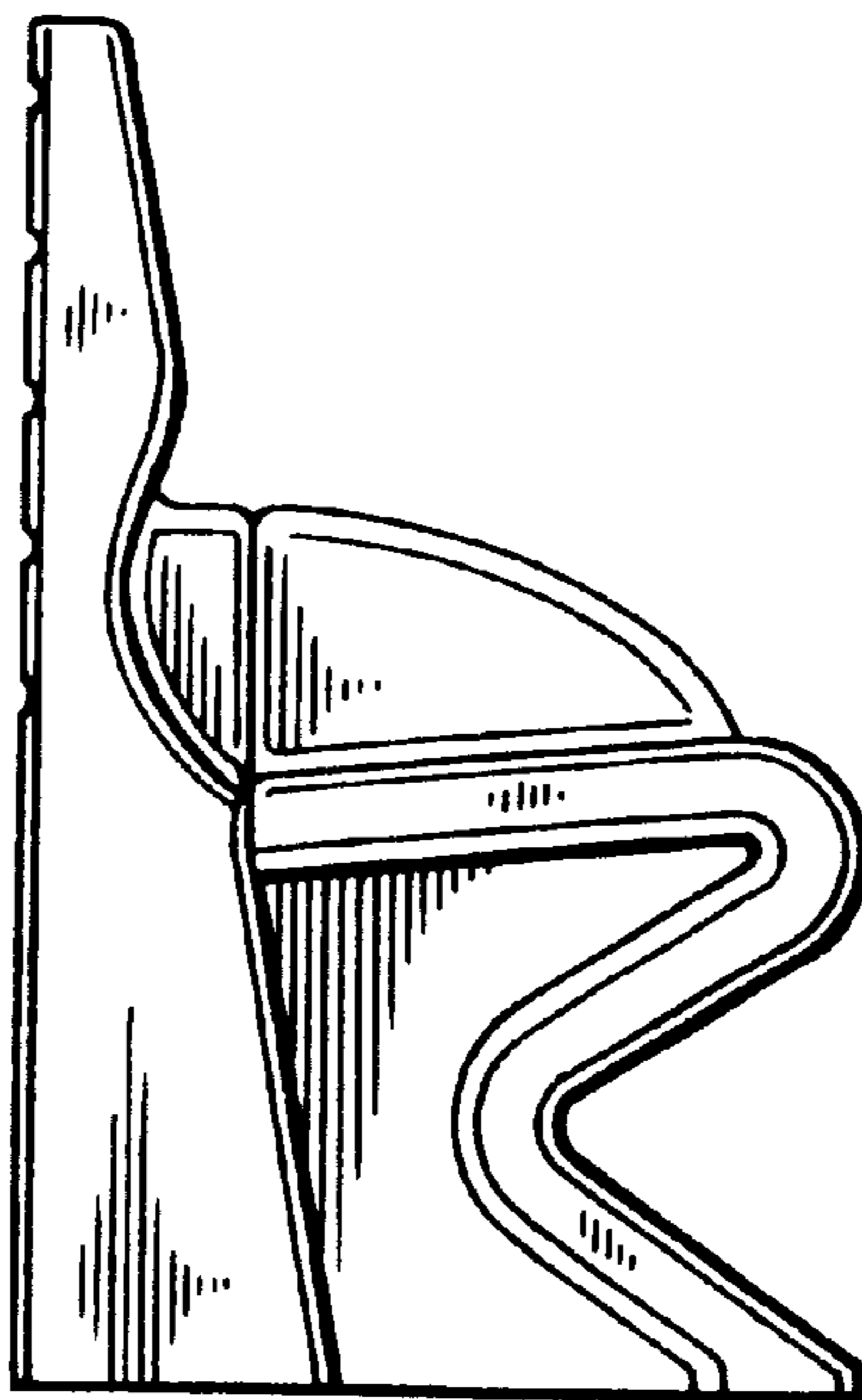


FIG. 7

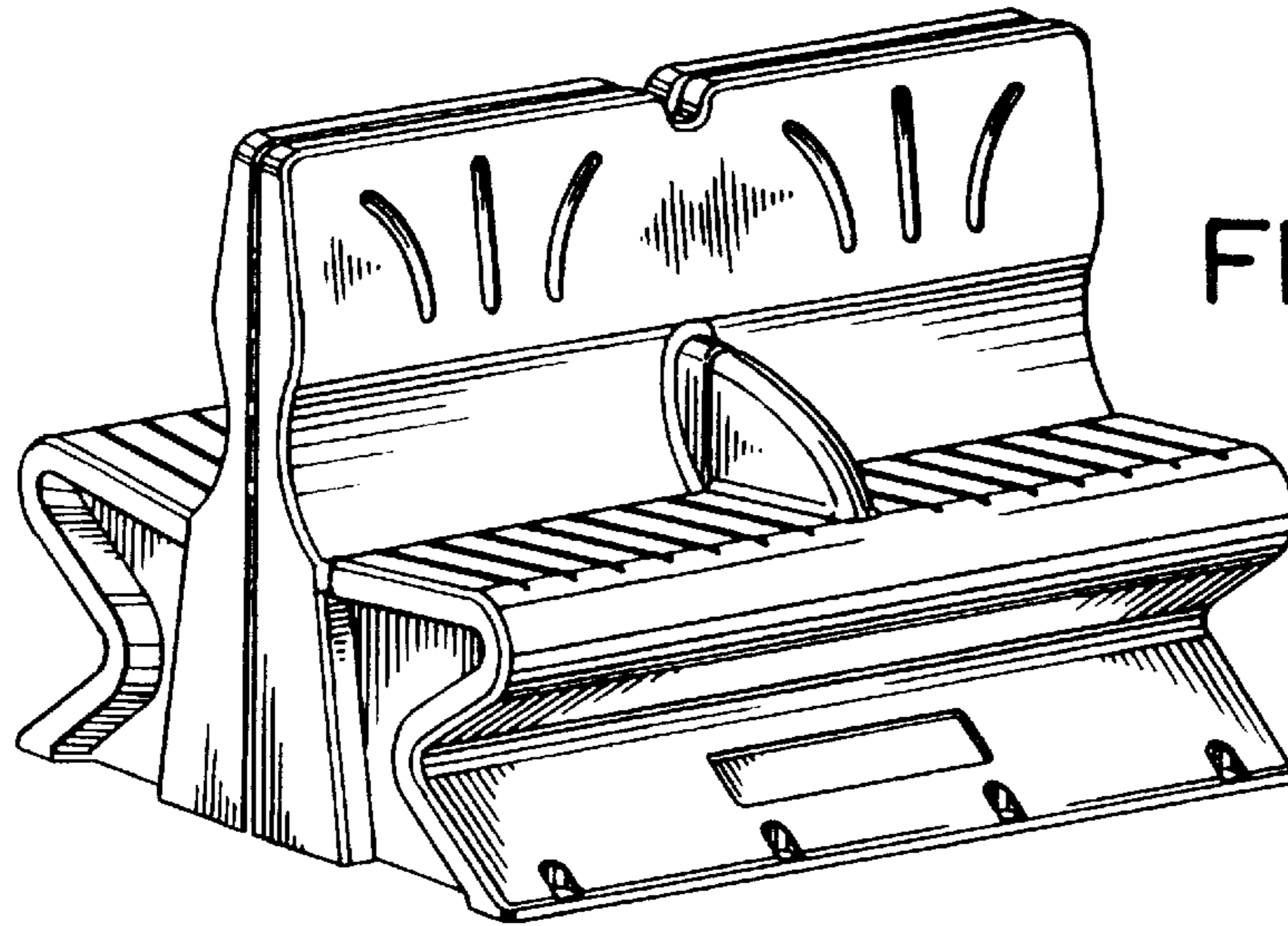


FIG. 8

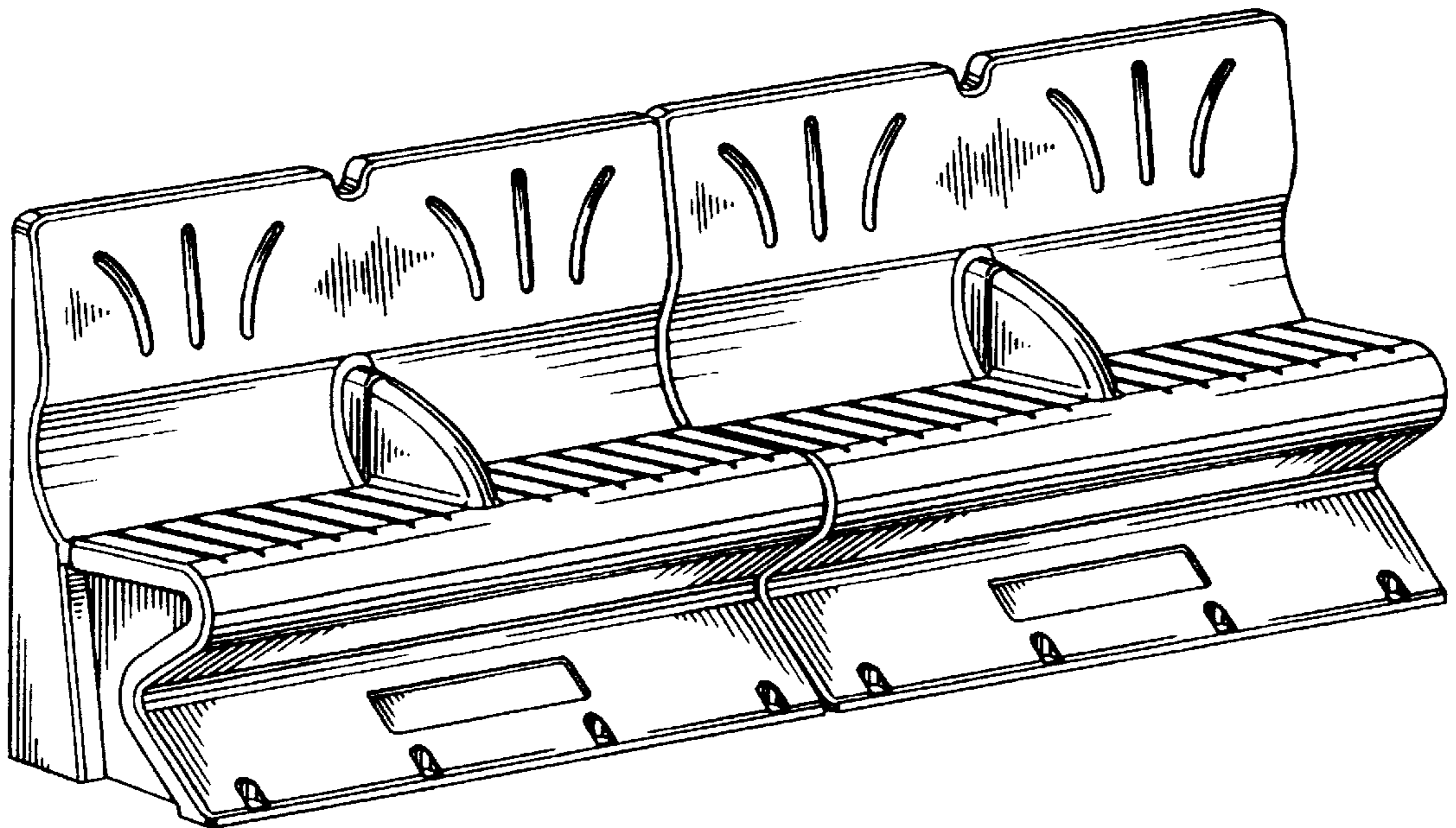


FIG. 9