



US00D418324S

# United States Patent [19] Van Rhienen

[11] **Patent Number: Des. 418,324**  
[45] **Date of Patent: \*\* Jan. 4, 2000**

[54] **STACKABLE CHAIR**

[75] Inventor: **Alphons Van Rhienen**, Schoten, Belgium

[73] Assignee: **Euro United Corporation**, Oakville, Canada

[\*\*] Term: **14 Years**

[21] Appl. No.: **29/104,934**

[22] Filed: **May 13, 1999**

**Related U.S. Application Data**

[62] Division of application No. 29/090,891, Jul. 20, 1998.

[30] **Foreign Application Priority Data**

May 26, 1998 [CA] Canada ..... 1300

[51] **LOC (7) Cl.** ..... **06-01**

[52] **U.S. Cl.** ..... **D6/379; D6/374**

[58] **Field of Search** ..... D6/334, 369, 370, D6/374, 375, 376, 379, 380, 500, 501, 502; 297/239, 445.1, 446.1, DIG. 2

[56] **References Cited**

**U.S. PATENT DOCUMENTS**

D. 329,339 9/1992 Grosfillex ..... D6/370

D. 331,324	12/1992	Grosfillex	.....	D6/375
D. 338,347	8/1993	Hubert	.....	D6/370
D. 361,902	9/1995	Van Skiver	.....	D6/370
D. 362,977	10/1995	Battaglia	.....	D6/375
D. 364,284	11/1995	Prosperio	.....	D6/374
D. 364,748	12/1995	Morin	.....	D6/370
D. 373,255	9/1996	Gresens	.....	D6/379
D. 373,473	9/1996	Grosfillex	.....	D6/370
D. 375,635	11/1996	Grosfillex	.....	D6/369

*Primary Examiner*—Gary D. Watson  
*Attorney, Agent, or Firm*—Barrigar & Moss

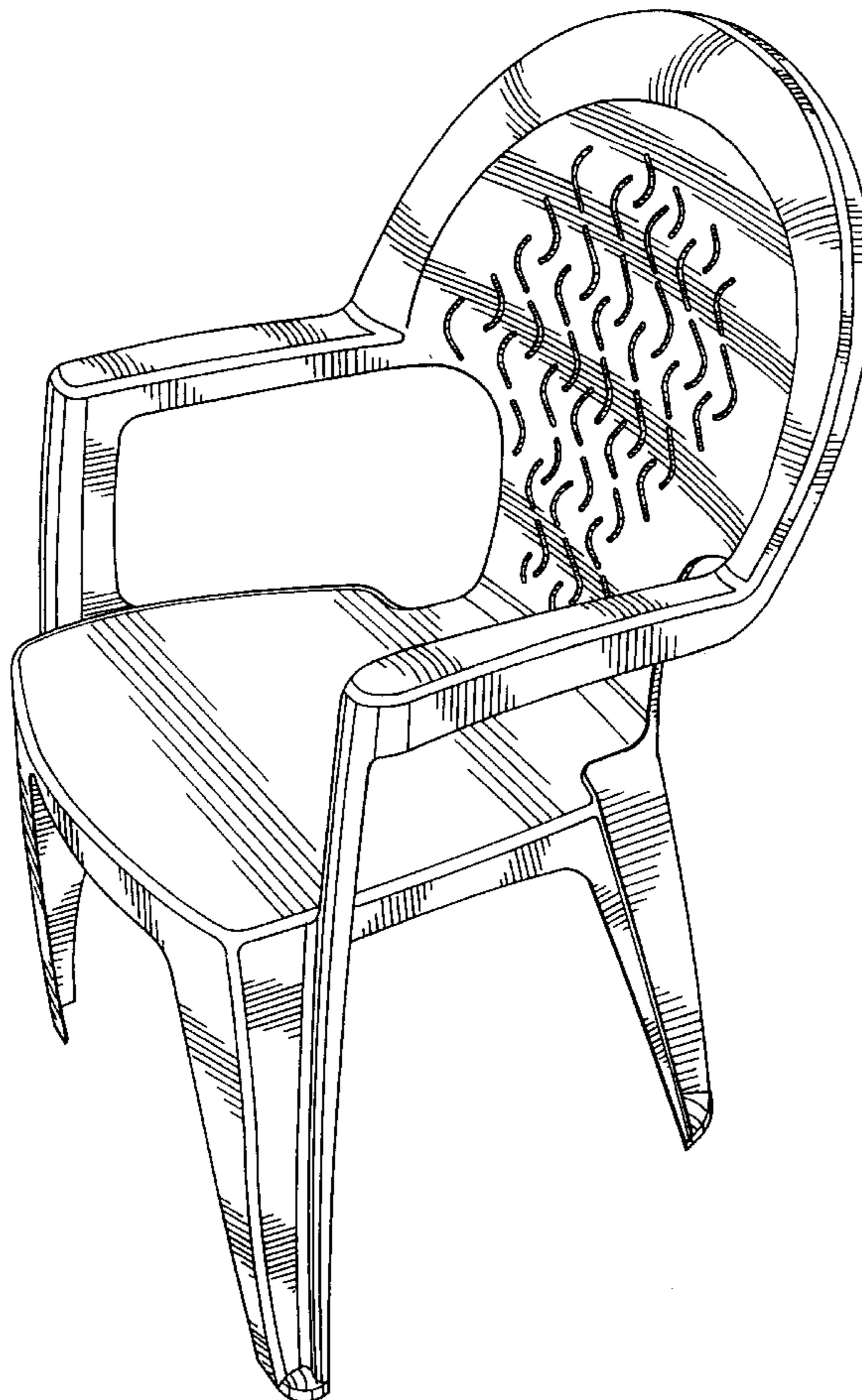
[57] **CLAIM**

The ornamental design for a stackable chair, as shown and described.

**DESCRIPTION**

FIG. 1 is a perspective view of a stackable chair, this view being taken from above and from the left side;  
FIG. 2 is a right side view of the stackable chair;  
FIG. 3 is a front view of the stackable chair;  
FIG. 4 is a top view of the stackable chair; and,  
FIG. 5 is a rear view of the stackable chair.  
FIGS. 2 through 5 have been shown on a reduced scale with the respect to FIG. 1.

**1 Claim, 3 Drawing Sheets**



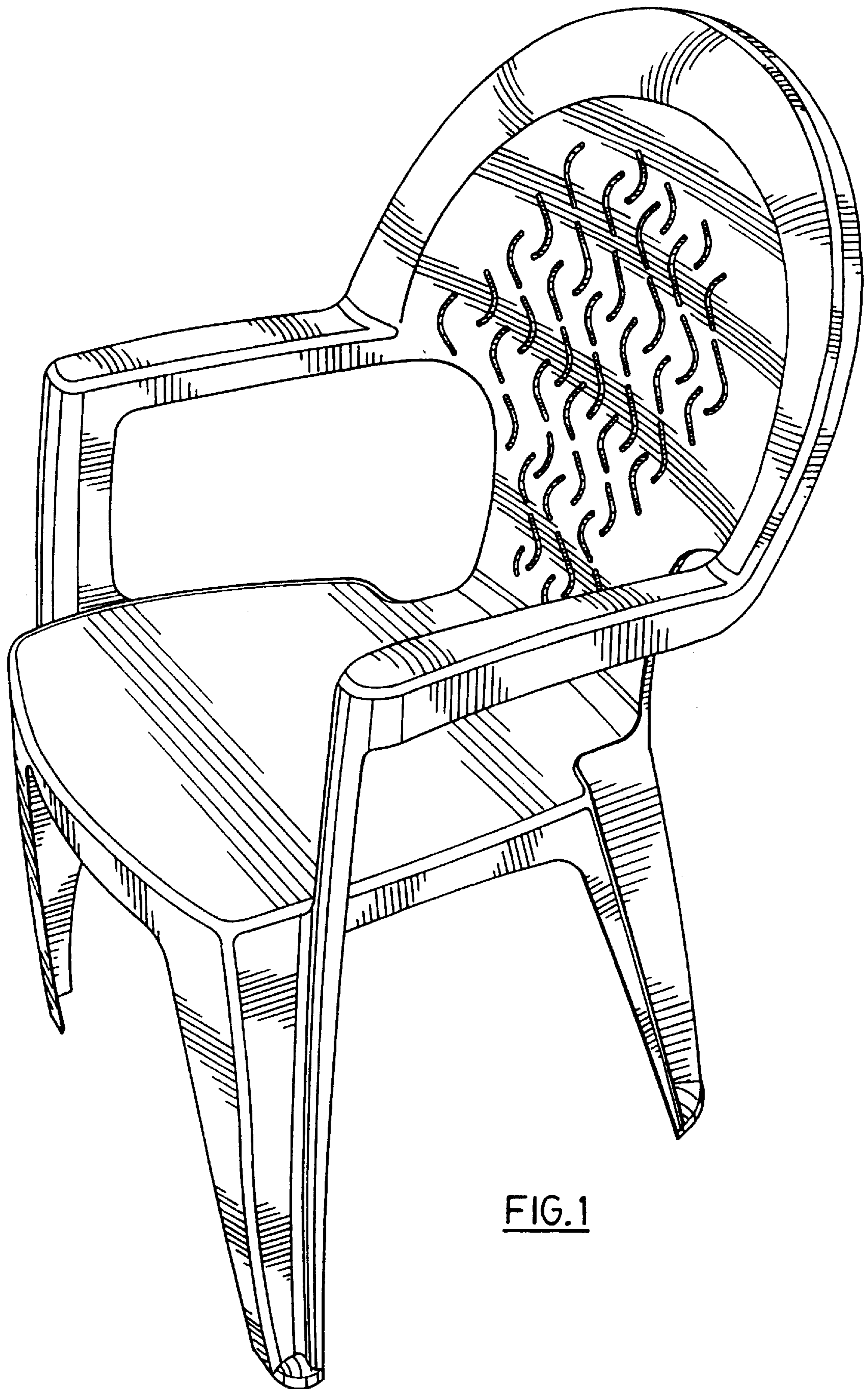


FIG. 1

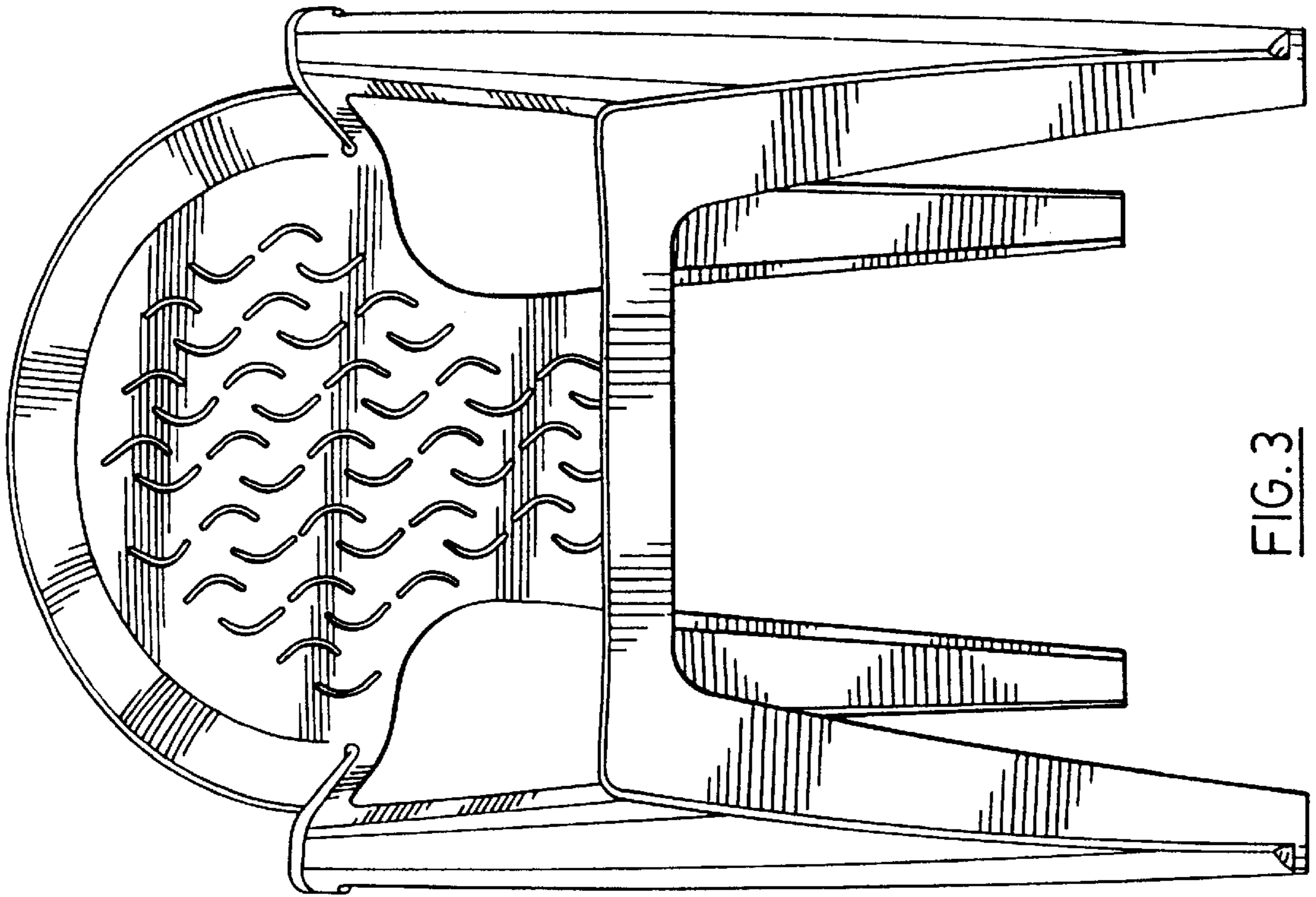


FIG. 3

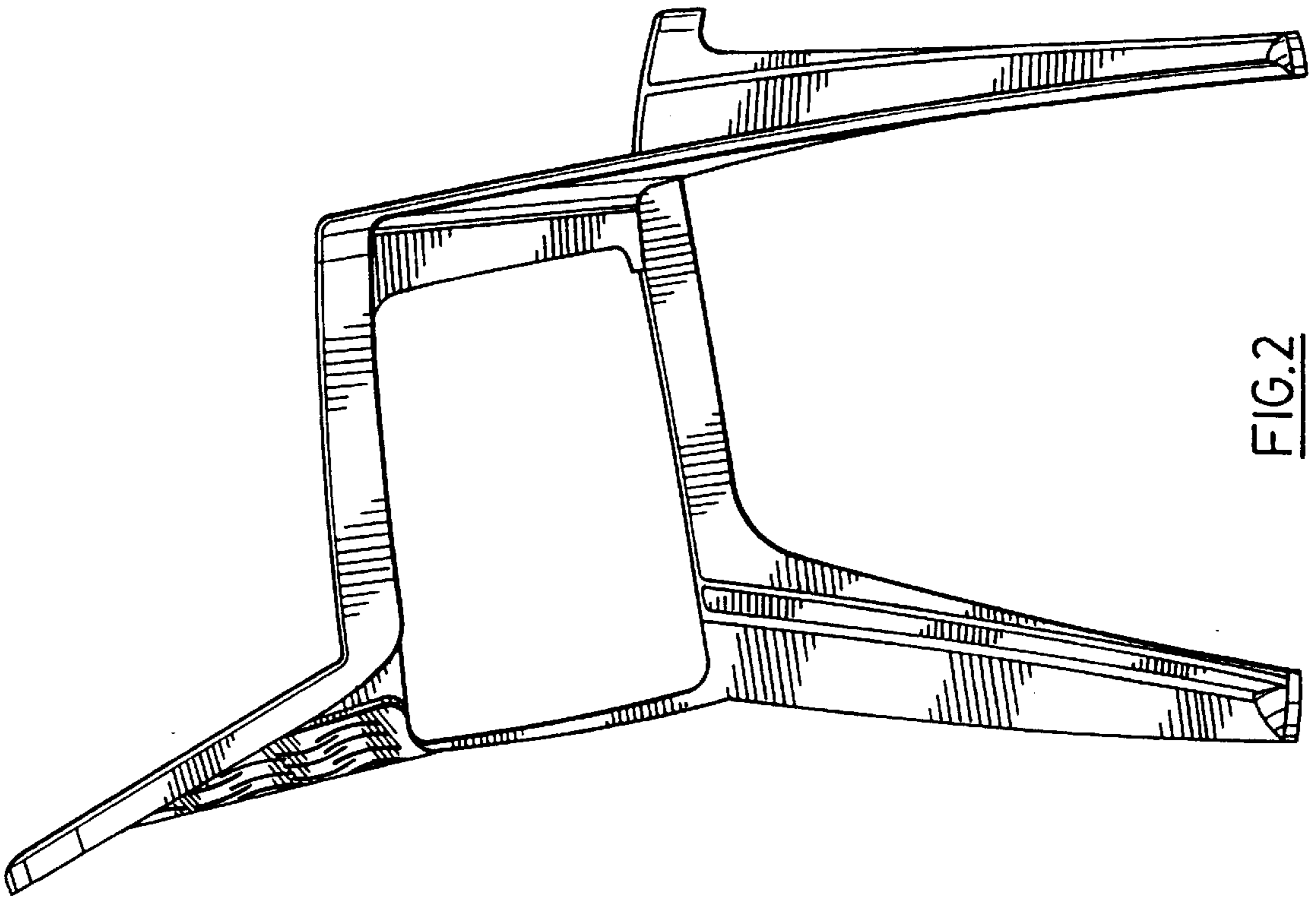


FIG. 2

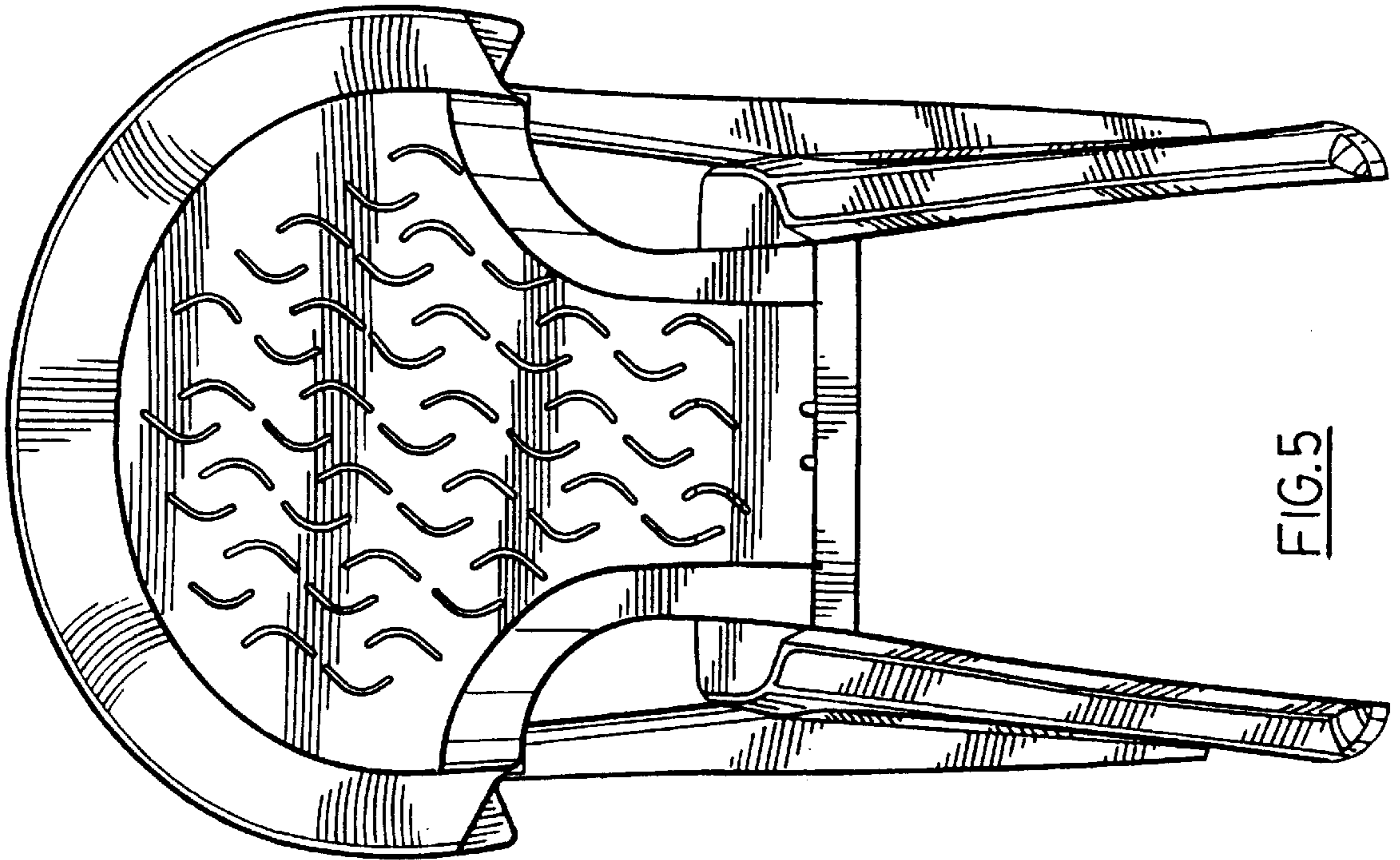


FIG. 5

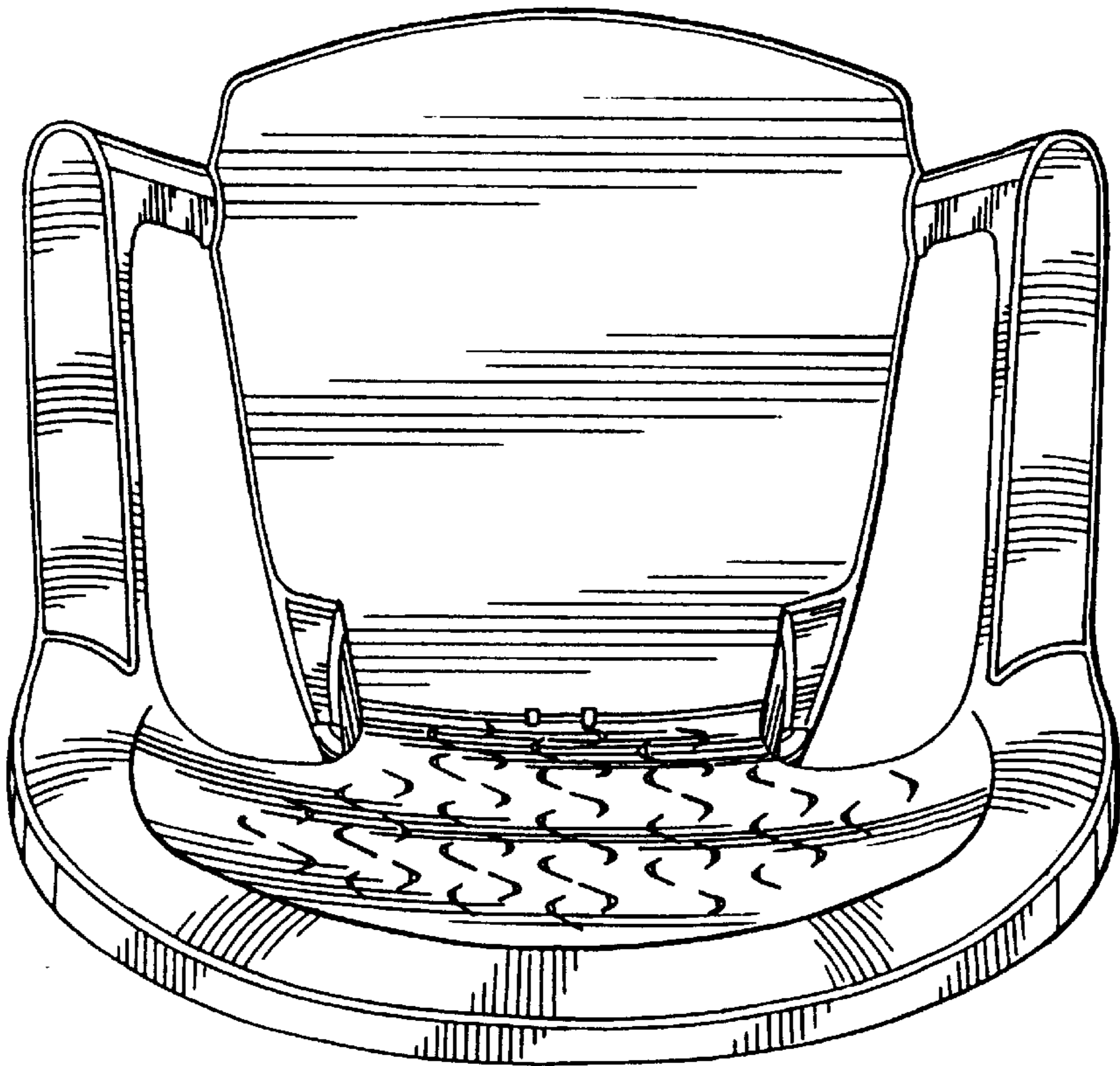


FIG. 4