



US00D418323S

United States Patent [19]
Van Rhienen

[11] **Patent Number: Des. 418,323**
[45] **Date of Patent: ** Jan. 4, 2000**

[54] **STACKABLE CHAIR**

[75] Inventor: **Alphons Van Rhienen**, Schoten,
Belgium

[73] Assignee: **Euro United Corporation**, Oakville,
Canada

[**] Term: **14 Years**

[21] Appl. No.: **29/090,891**

[22] Filed: **Jul. 20, 1998**

[30] **Foreign Application Priority Data**

May 26, 1998 [CA] Canada 1998-1300

[51] **LOC (7) Cl.** **06-01**

[52] **U.S. Cl.** **D6/379; D6/370; D6/374**

[58] **Field of Search** **D6/334, 370, 374,**
D6/375, 379, 380, 500, 501, 502; 297/239,
411.42, DIG. 2

[56] **References Cited**

U.S. PATENT DOCUMENTS

- D. 234,240 2/1975 Noda et al. D6/379
- D. 274,770 7/1984 Massonnet D6/375
- D. 329,339 9/1992 Grosfillex .
- D. 331,324 12/1992 Grosfillex D6/375
- D. 335,972 6/1993 Lamalle .
- D. 338,347 8/1993 Hubert D6/370
- D. 347,745 6/1994 Grosfillex .

- D. 360,537 7/1995 VanSkiver .
- D. 361,903 9/1995 VanSkiver .
- D. 362,556 9/1995 VanSkiver .
- D. 362,759 10/1995 Sagol .
- D. 362,975 10/1995 Sagol .
- D. 364,748 12/1995 Morin .
- D. 366,159 1/1996 Sagol .
- D. 373,255 9/1996 Gresens D6/379
- D. 373,473 9/1996 Grosfillex D6/370
- D. 373,480 9/1996 Grosfillex D6/370
- D. 373,481 9/1996 Grosfillex D6/370
- D. 376,269 12/1996 Grosfillex D6/370
- D. 386,010 11/1997 Grosfillex .

Primary Examiner—Gary D. Watson
Attorney, Agent, or Firm—Barrigar & Moss

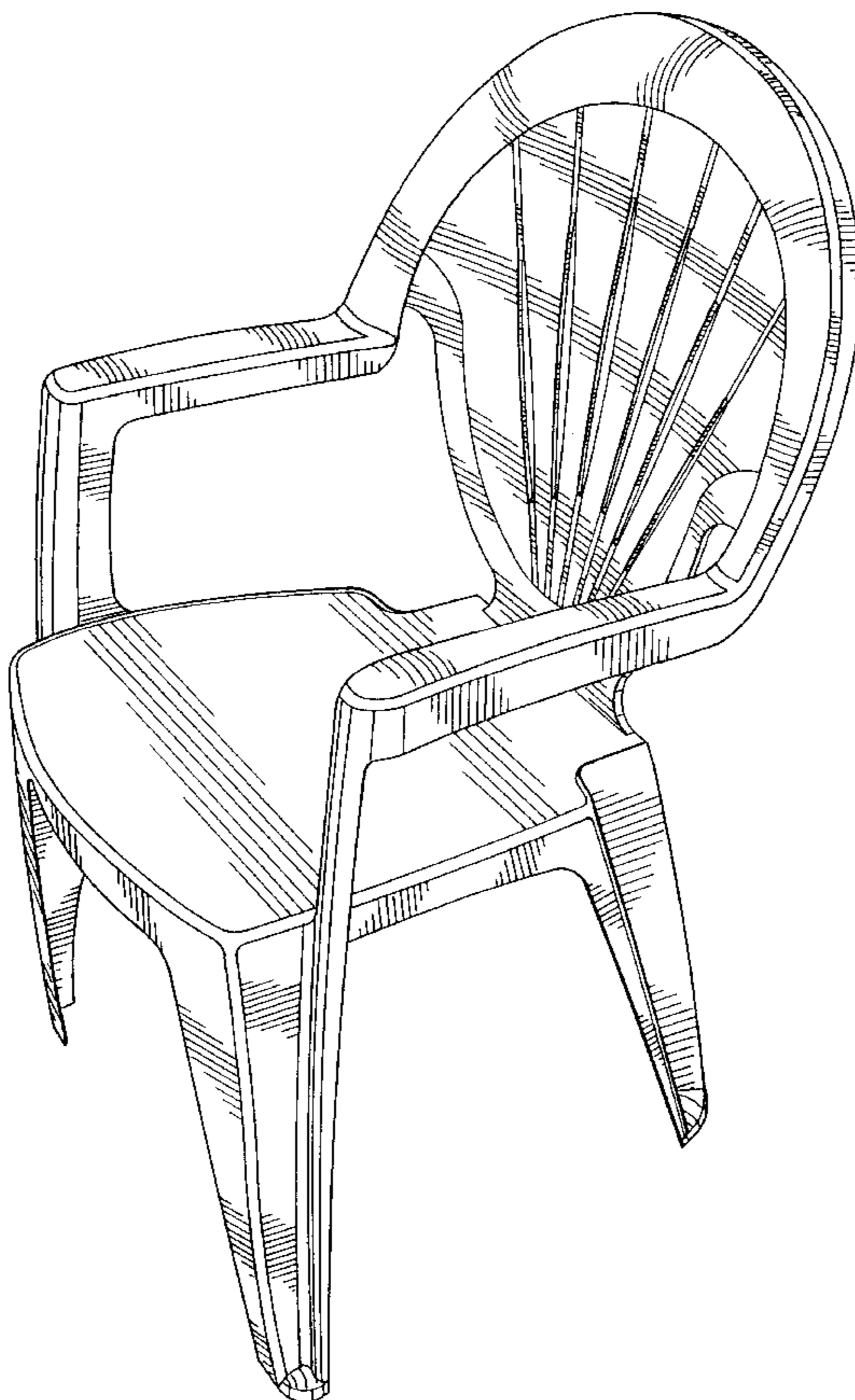
[57] **CLAIM**

The ornamental design for a stackable chair, as shown and described.

DESCRIPTION

FIG. 1 is a perspective view of a stackable chair, this view being taken from above and from the left side; FIG. 2 is a right side view of the stackable chair; FIG. 3 is a front view of the stackable chair; FIG. 4 is a top view of the stackable chair; and, FIG. 5 is a rear view of the stackable chair. FIG. 2 through 5 have been shown on a reduced scale with respect to FIG. 1.

1 Claim, 3 Drawing Sheets



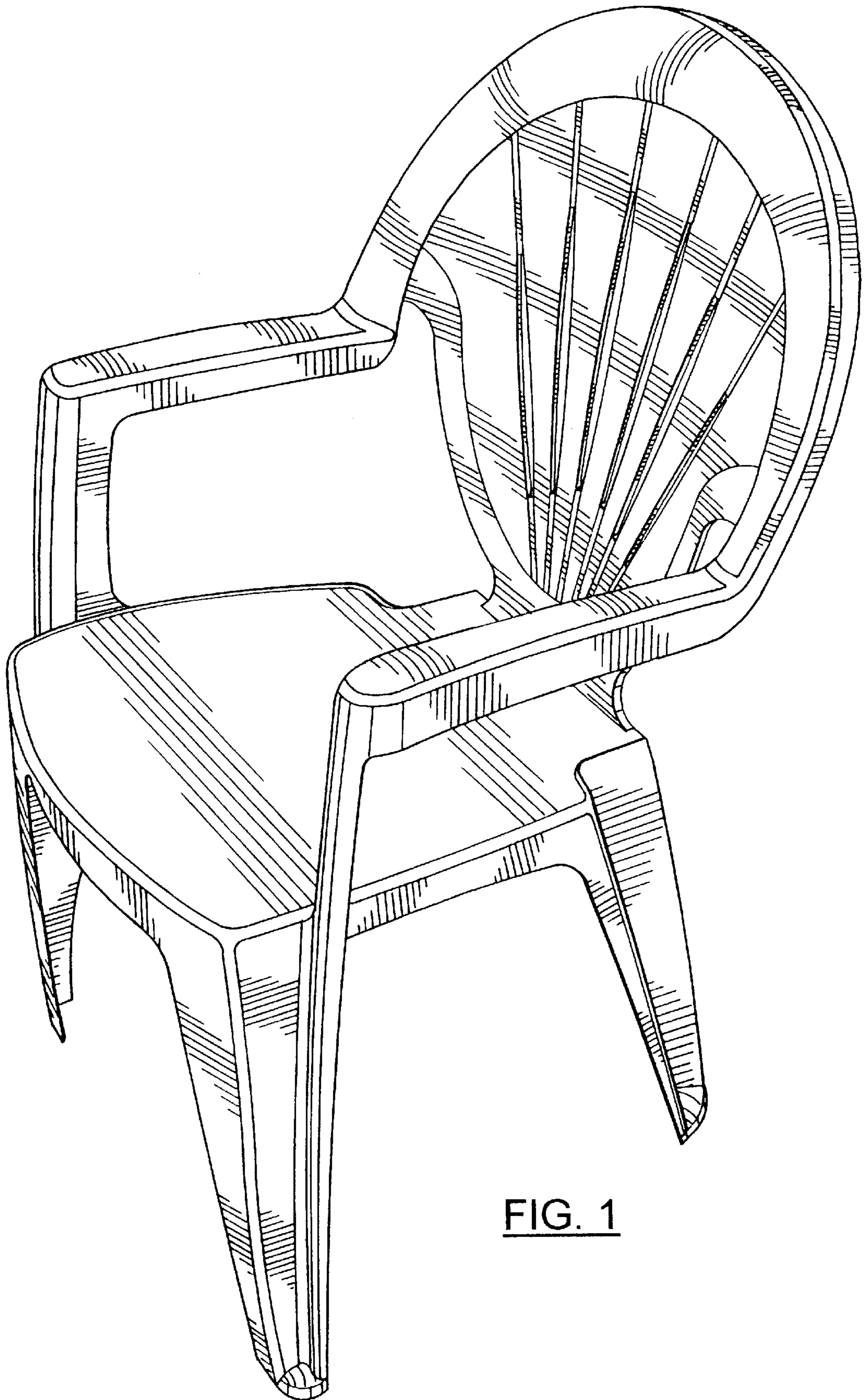


FIG. 1

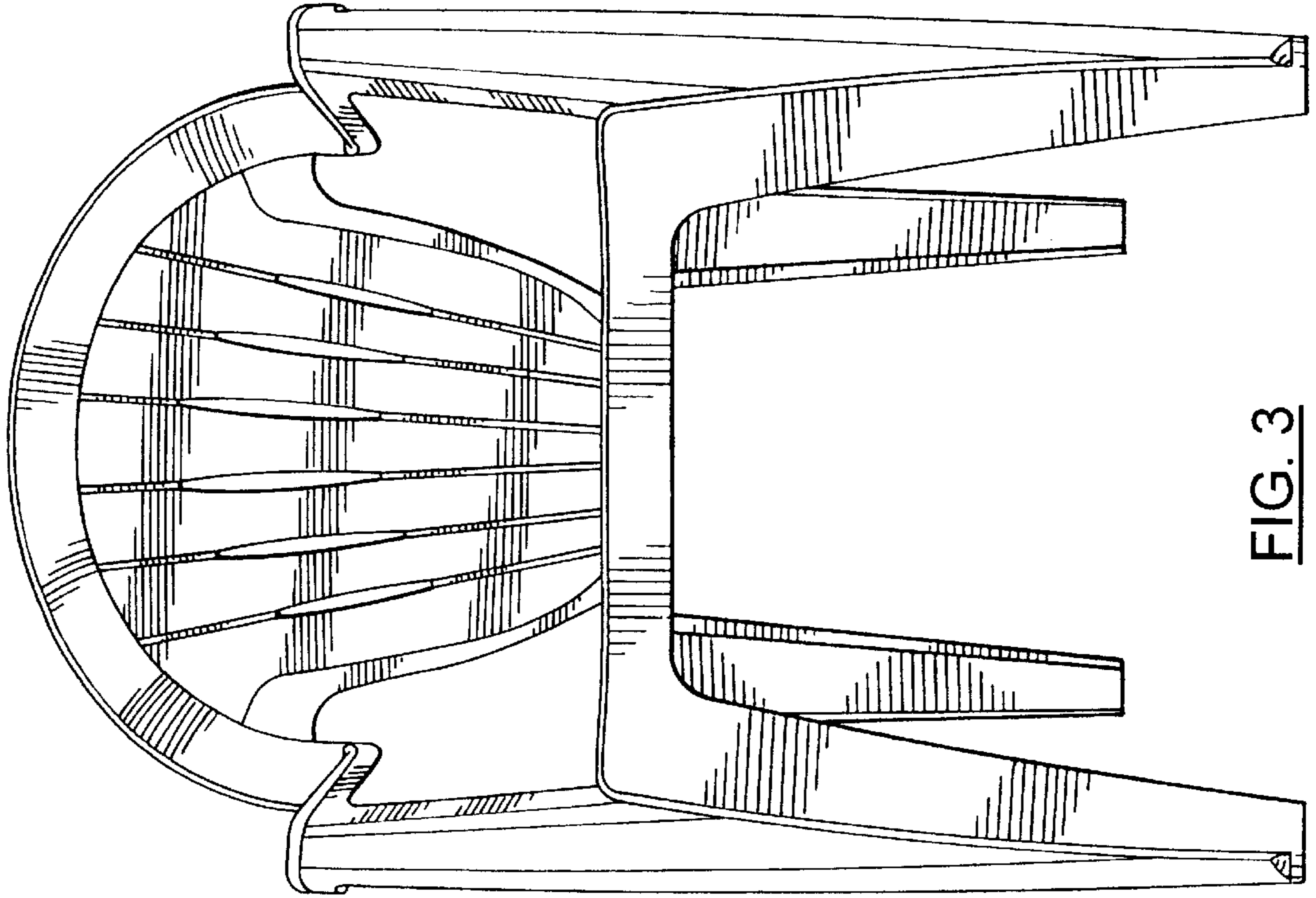


FIG. 3

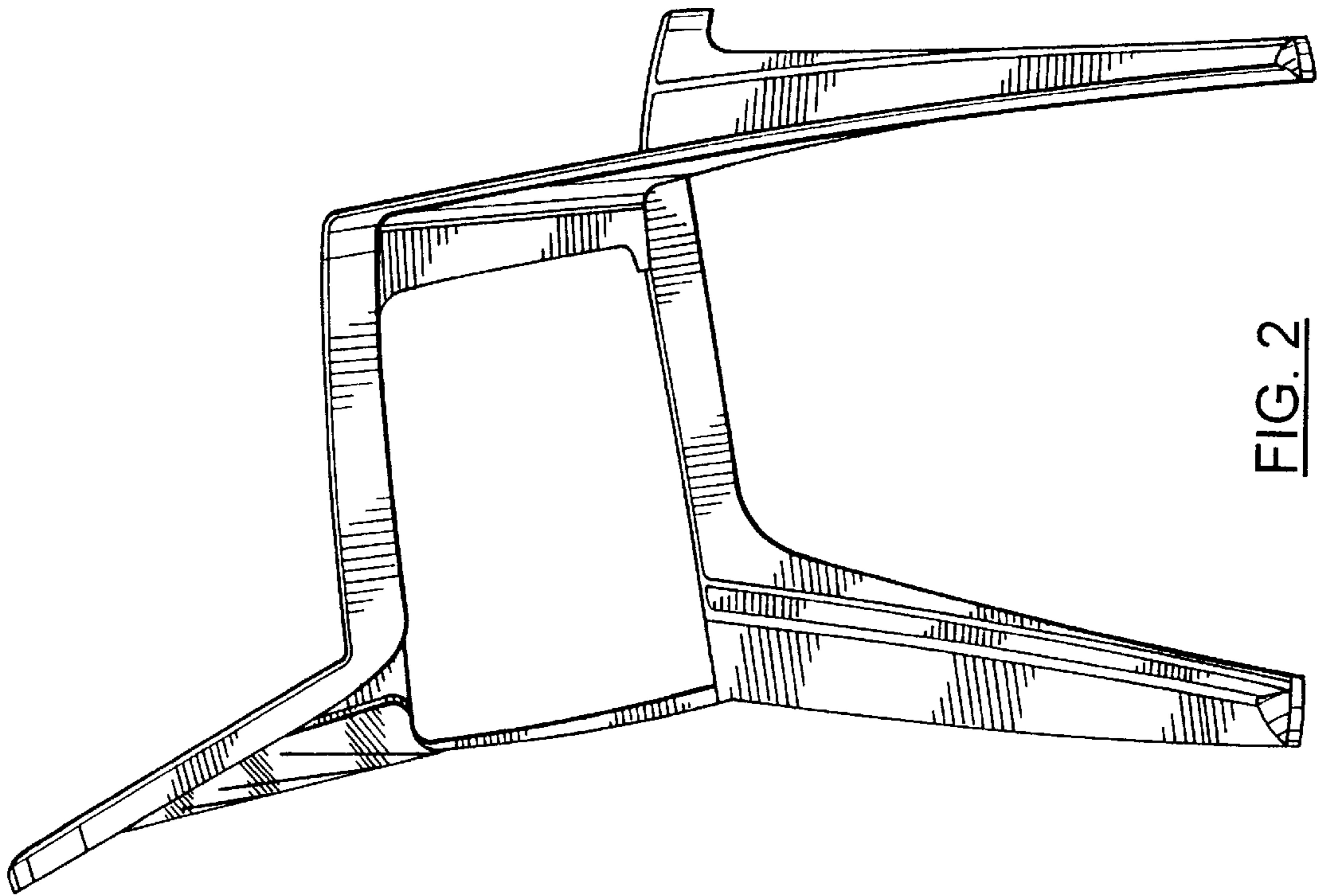


FIG. 2

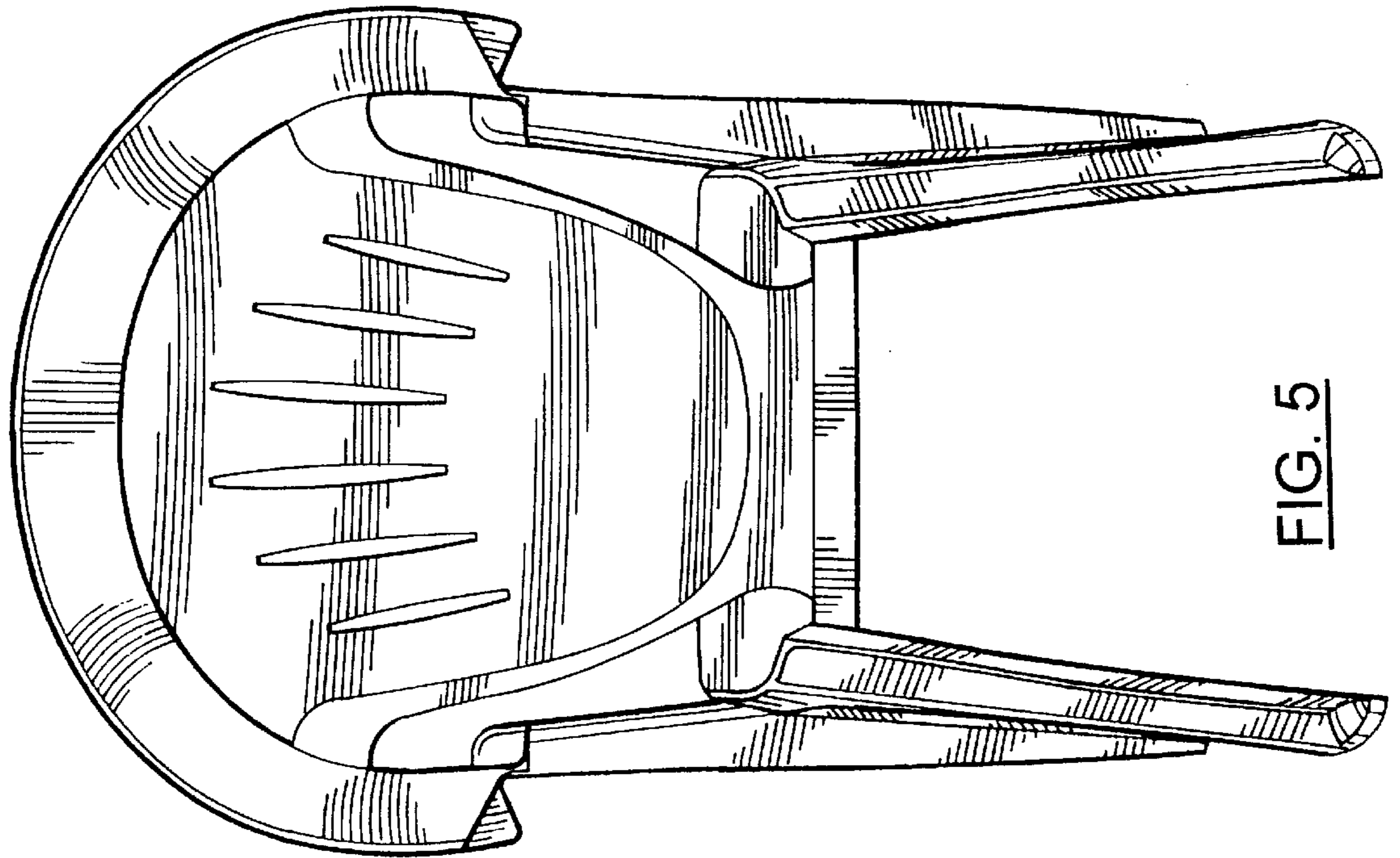


FIG. 5

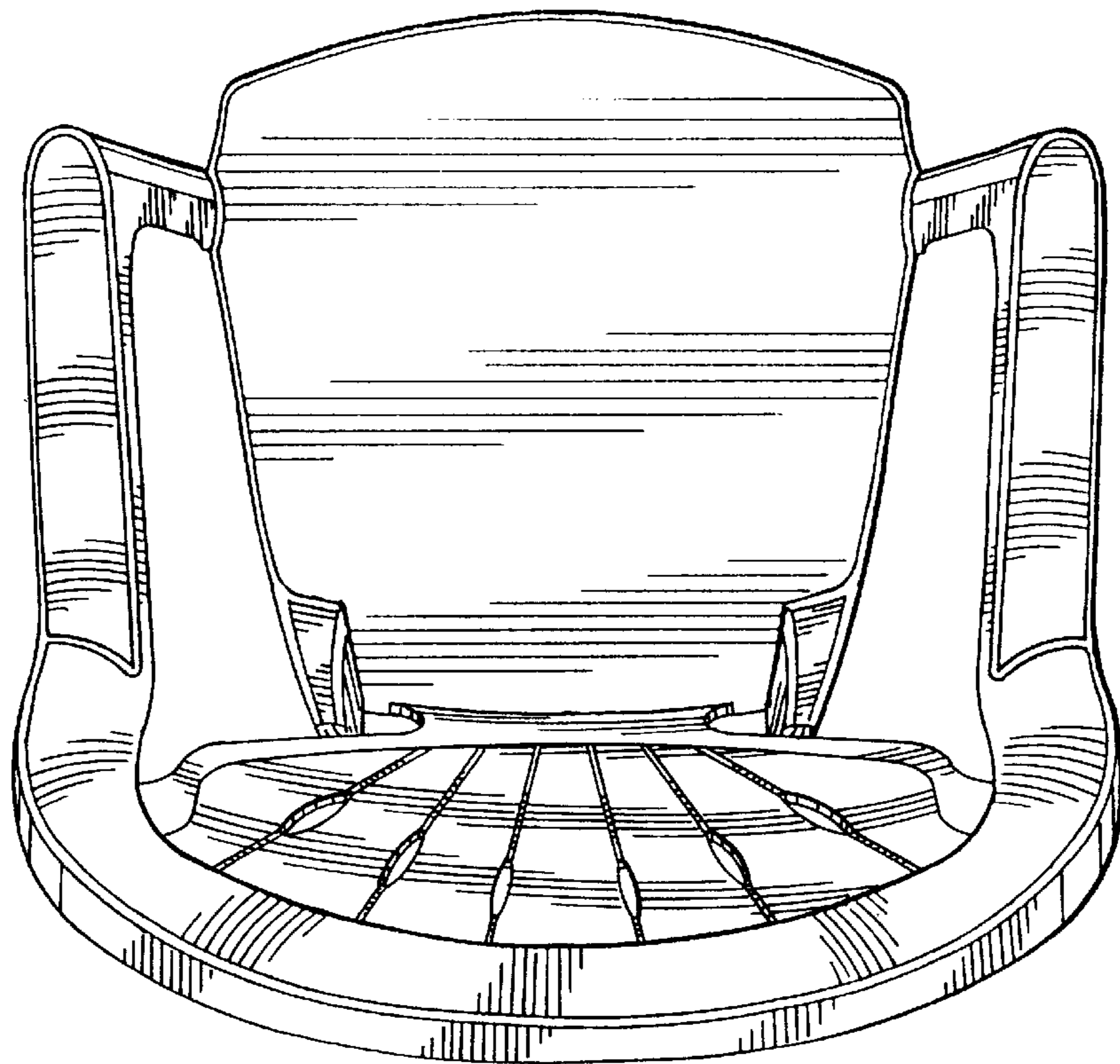


FIG. 4