



US00D418322S

United States Patent [19] Hock

[11] **Patent Number: Des. 418,322**
[45] **Date of Patent: ** Jan. 4, 2000**

[54] **CHAIR**

[76] Inventor: **Koh Tuang Hock**, No.56, Min Sheng Street, Feng-Yuan City 420, Taiwan

[**] Term: **14 Years**

[21] Appl. No.: **29/095,429**

[22] Filed: **Oct. 22, 1998**

[51] **LOC (7) Cl.** **06-01**

[52] **U.S. Cl.** **D6/374; D6/379; D6/380**

[58] **Field of Search** D6/334, 335, 374, D6/375, 379, 380, 381, 500, 501, 502; 297/239, 248, 445.1

[56] **References Cited**

U.S. PATENT DOCUMENTS

D. 171,116	12/1953	Adkinson	D6/374
D. 171,208	12/1953	Jones	D6/375
D. 333,733	3/1993	Sammons	D6/334
D. 346,283	4/1994	Kolberg	D6/374
D. 346,911	5/1994	Lucci et al.	D6/374
D. 349,196	8/1994	Lohmeyer	D6/379
D. 360,539	7/1995	Cretcher	D6/379

D. 381,828	8/1997	Kemnitzer	D6/379
D. 401,769	12/1998	Kaiser	D6/334
D. 406,951	3/1999	Herrmann	D6/379
D. 408,165	4/1999	Kemnitzer	D6/379
5,282,669	2/1994	Barile	297/248

Primary Examiner—Gary D. Watson

[57] **CLAIM**

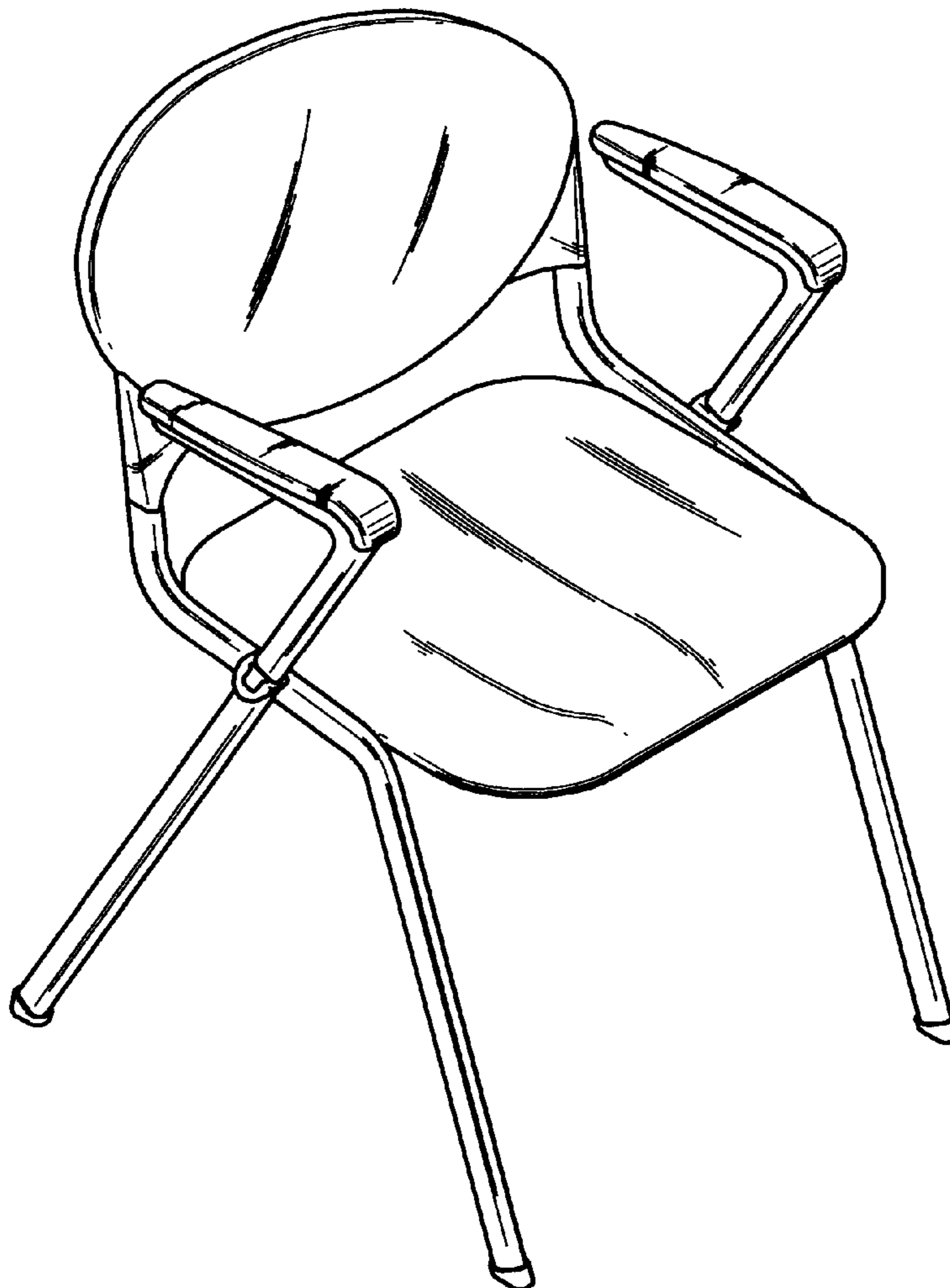
The ornamental design for a chair, as shown and described.

DESCRIPTION

FIG. 1 is a front view of the present design.
FIG. 2 is a left side view of the present design.
FIG. 3 is a right side view of the present design.
FIG. 4 is a rear view of the present design.
FIG. 5 is a bottom view of the present design.
FIG. 6 is a top view of the present design.
FIG. 7 is a perspective view of the present design; and,
FIG. 8 is a perspective view of chairs connecting with each other in row.

The broken lines are for illustrative purposes and form no part of the claimed design.

1 Claim, 8 Drawing Sheets



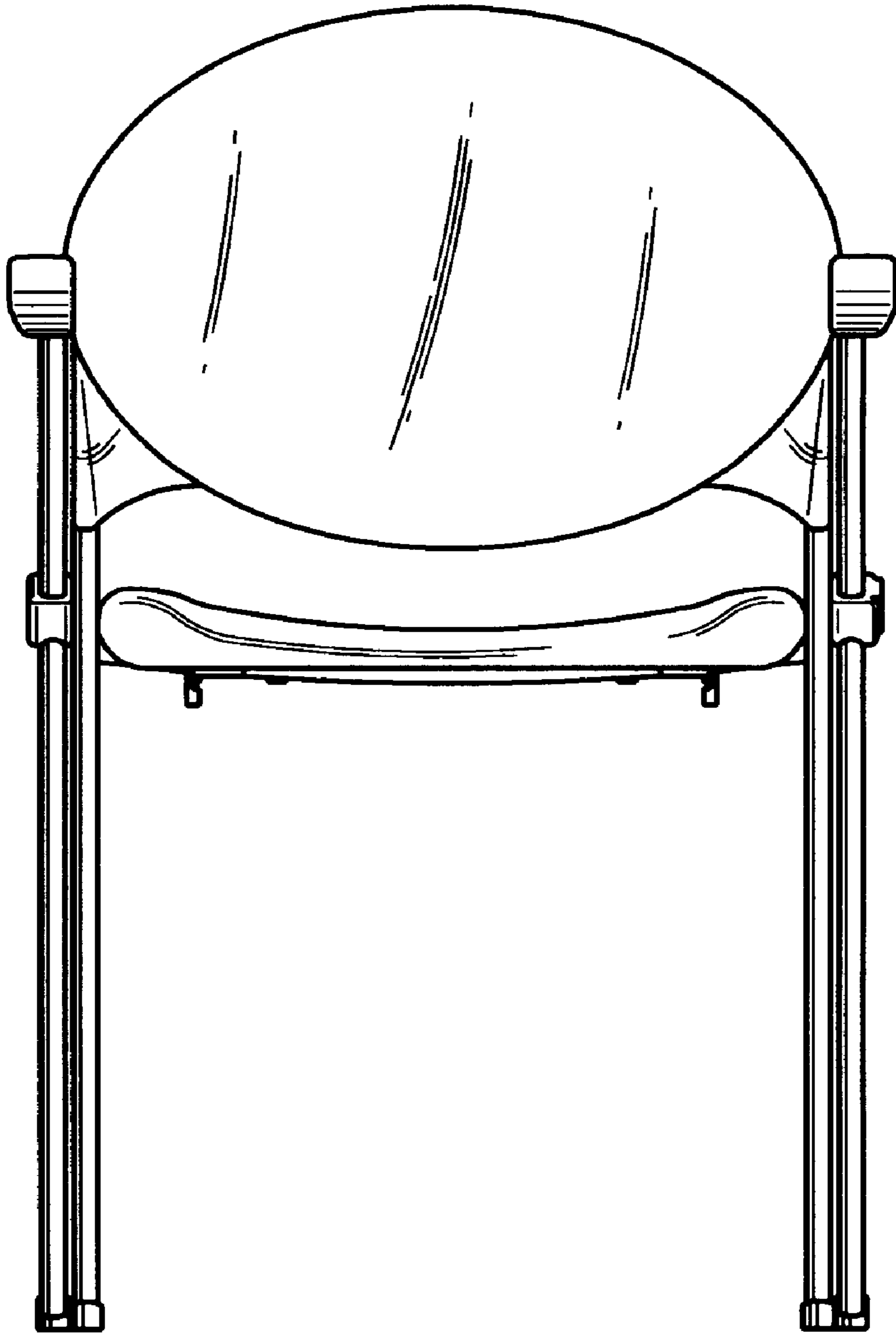


FIG. 1

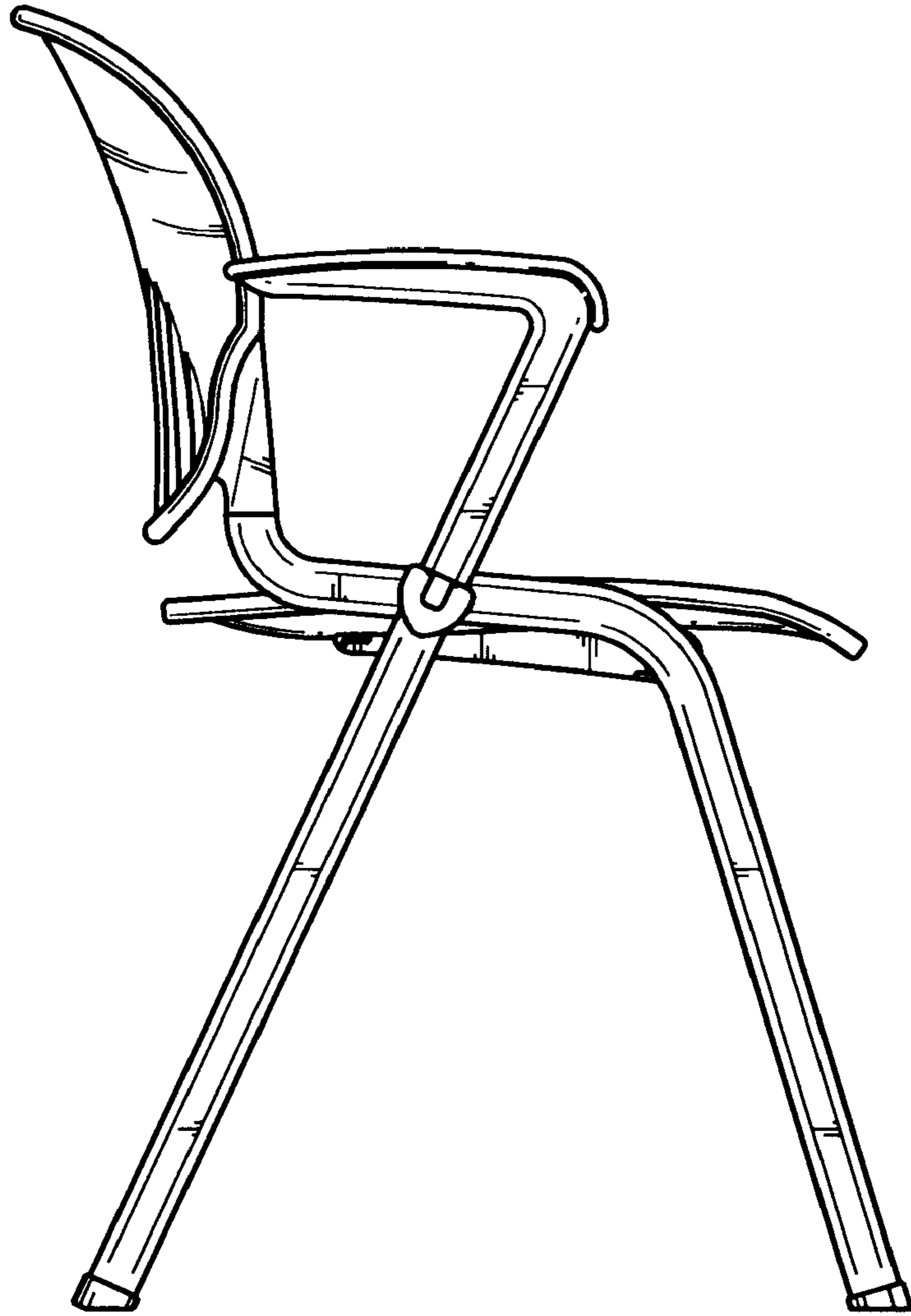


FIG. 2

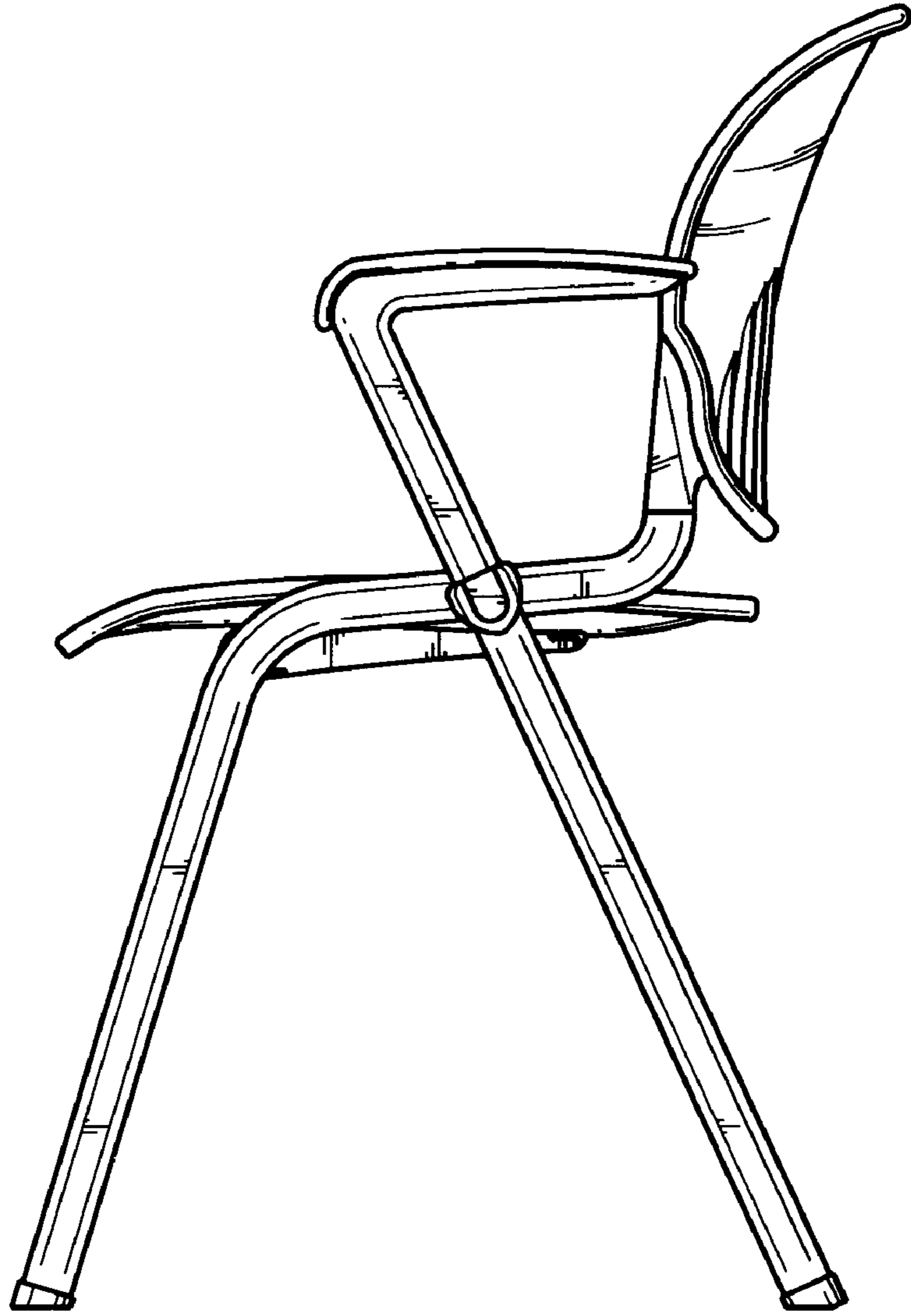


FIG. 3

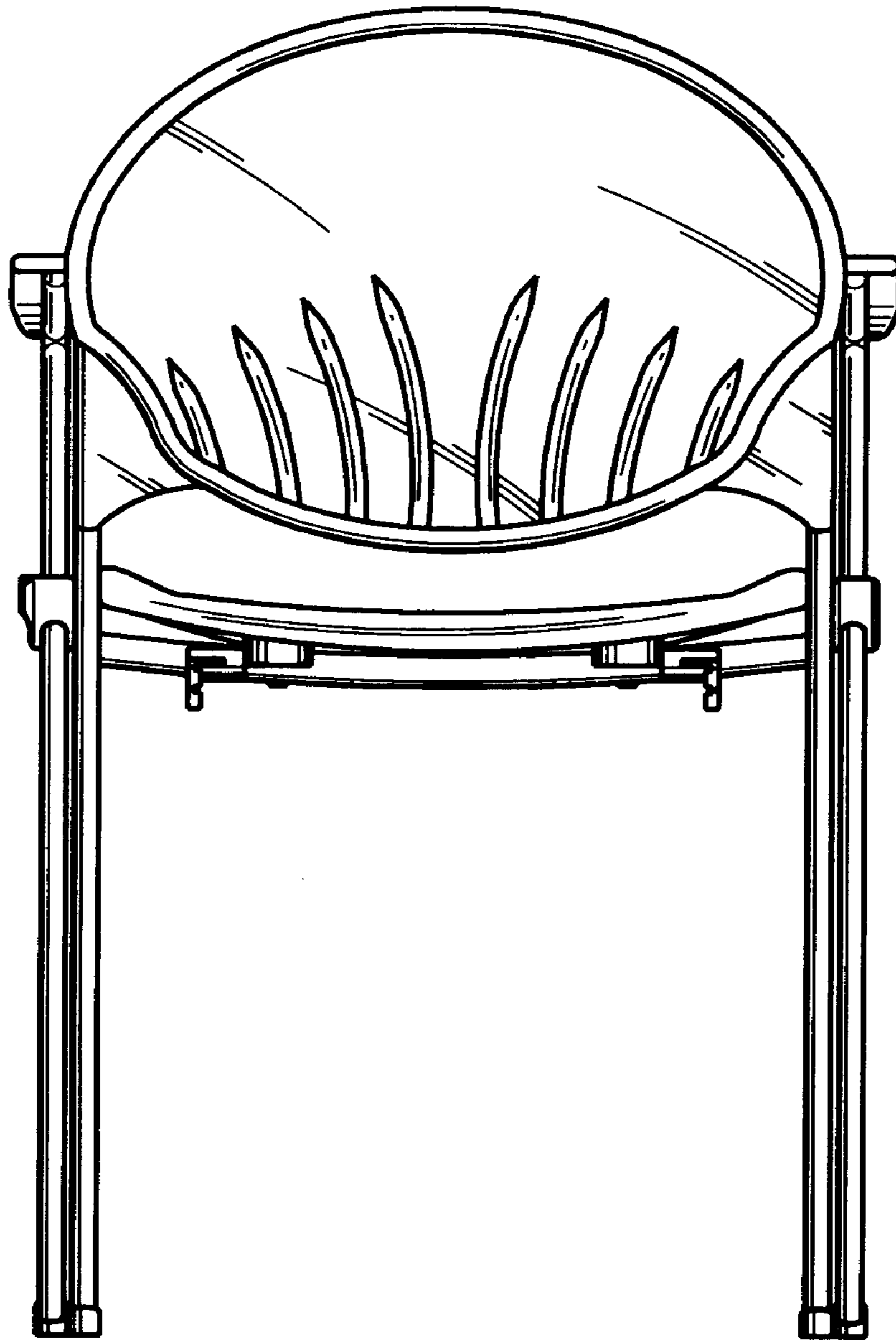


FIG. 4

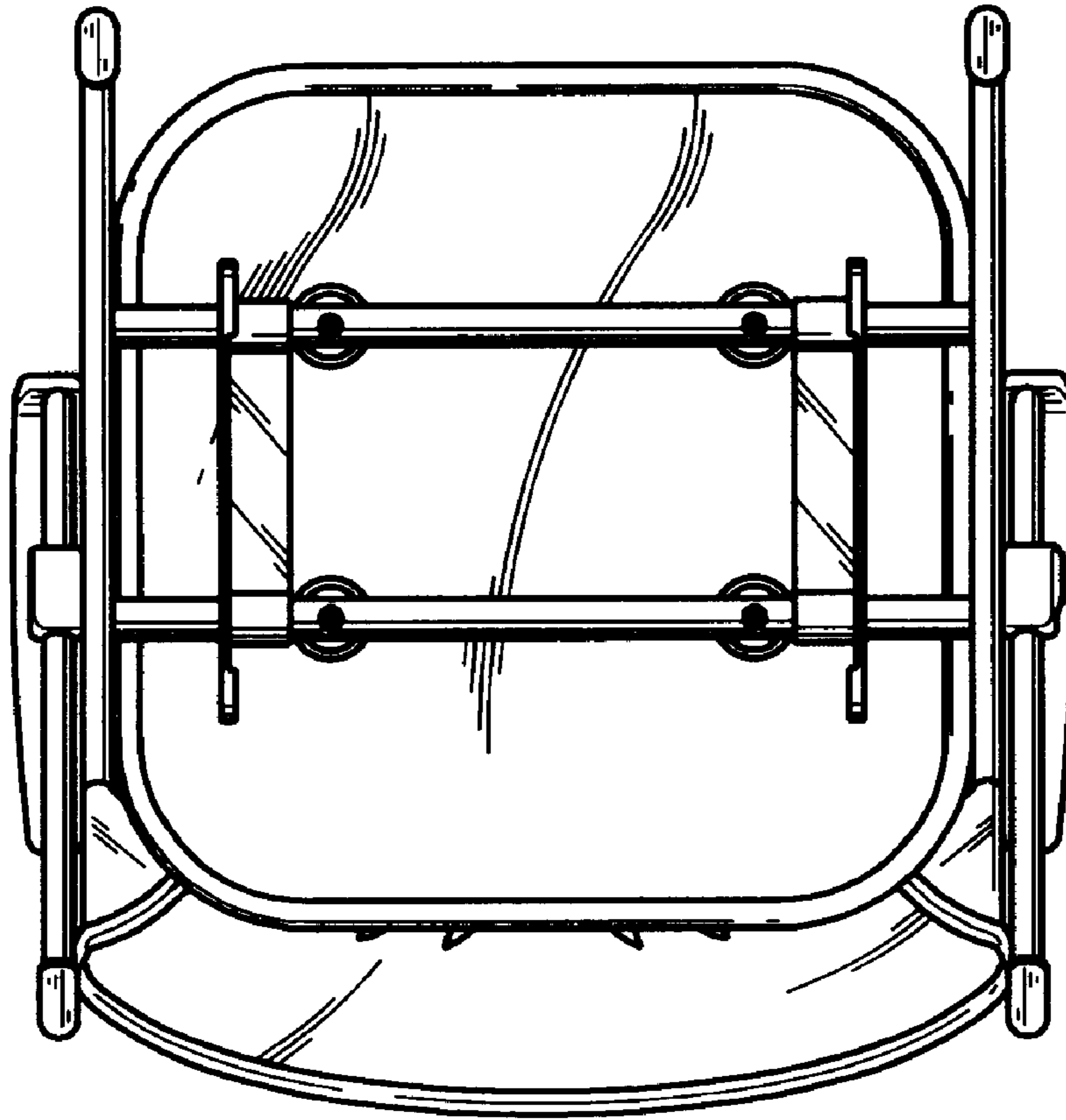


FIG. 5

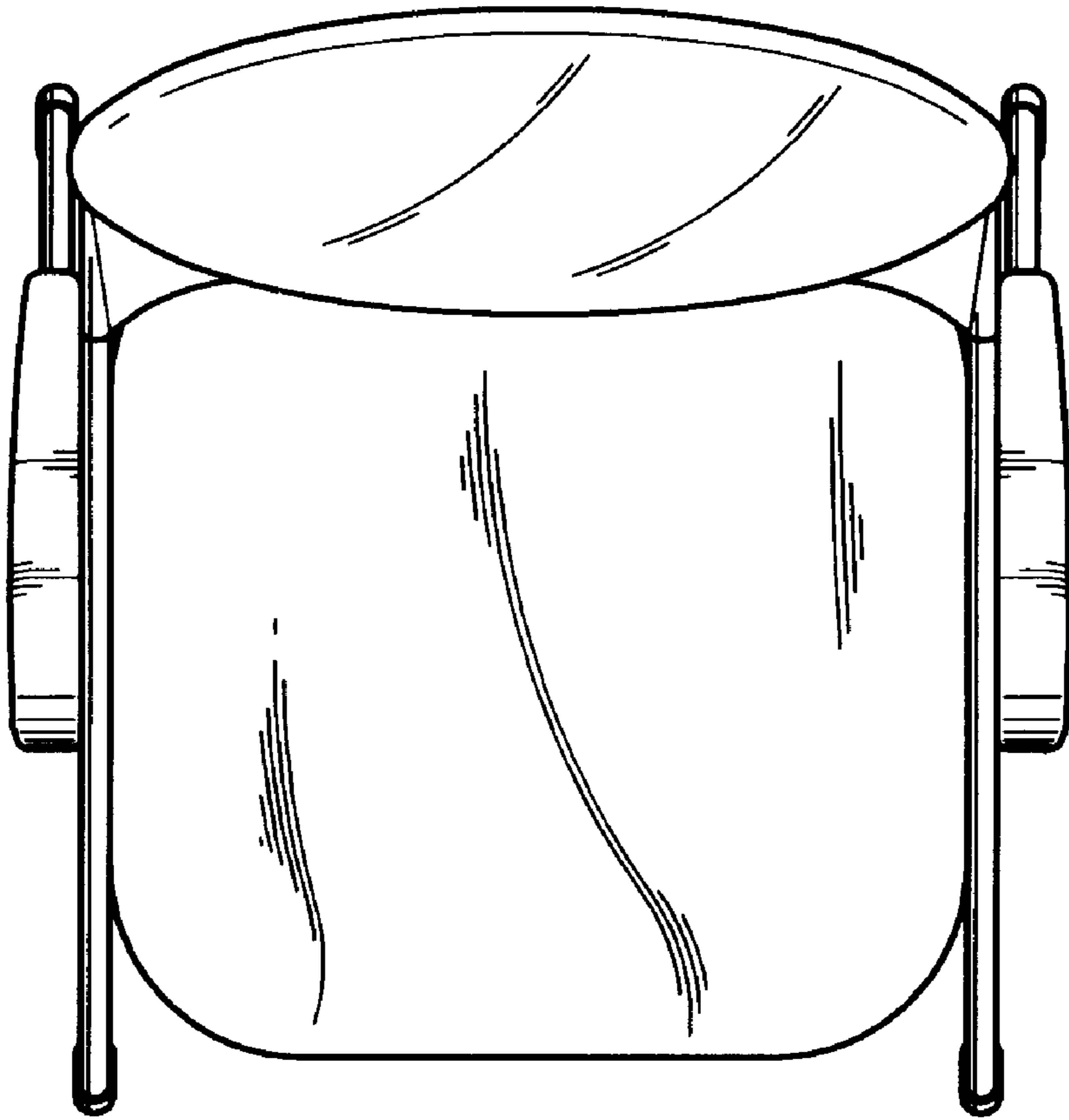


FIG. 6

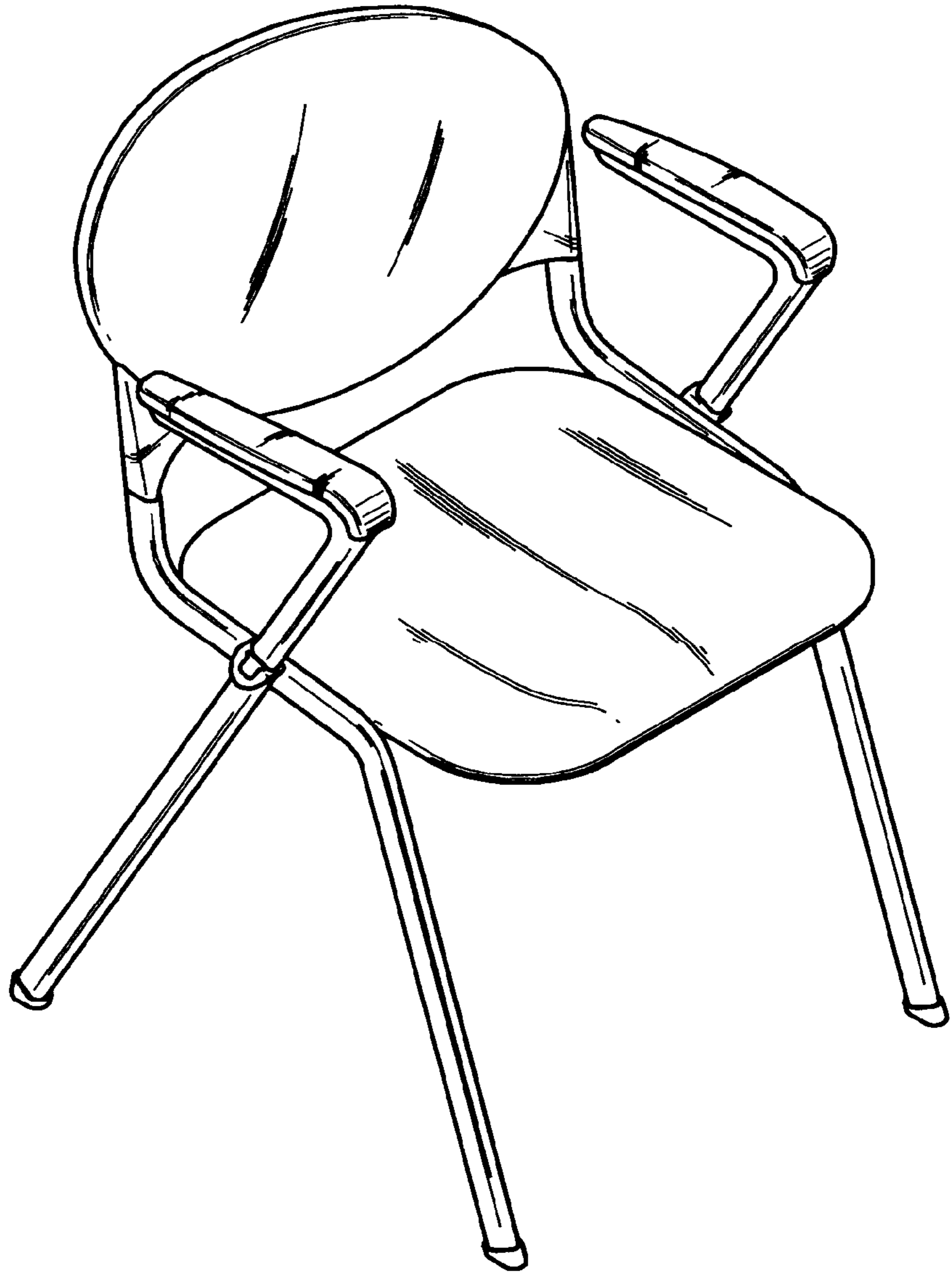


FIG. 7

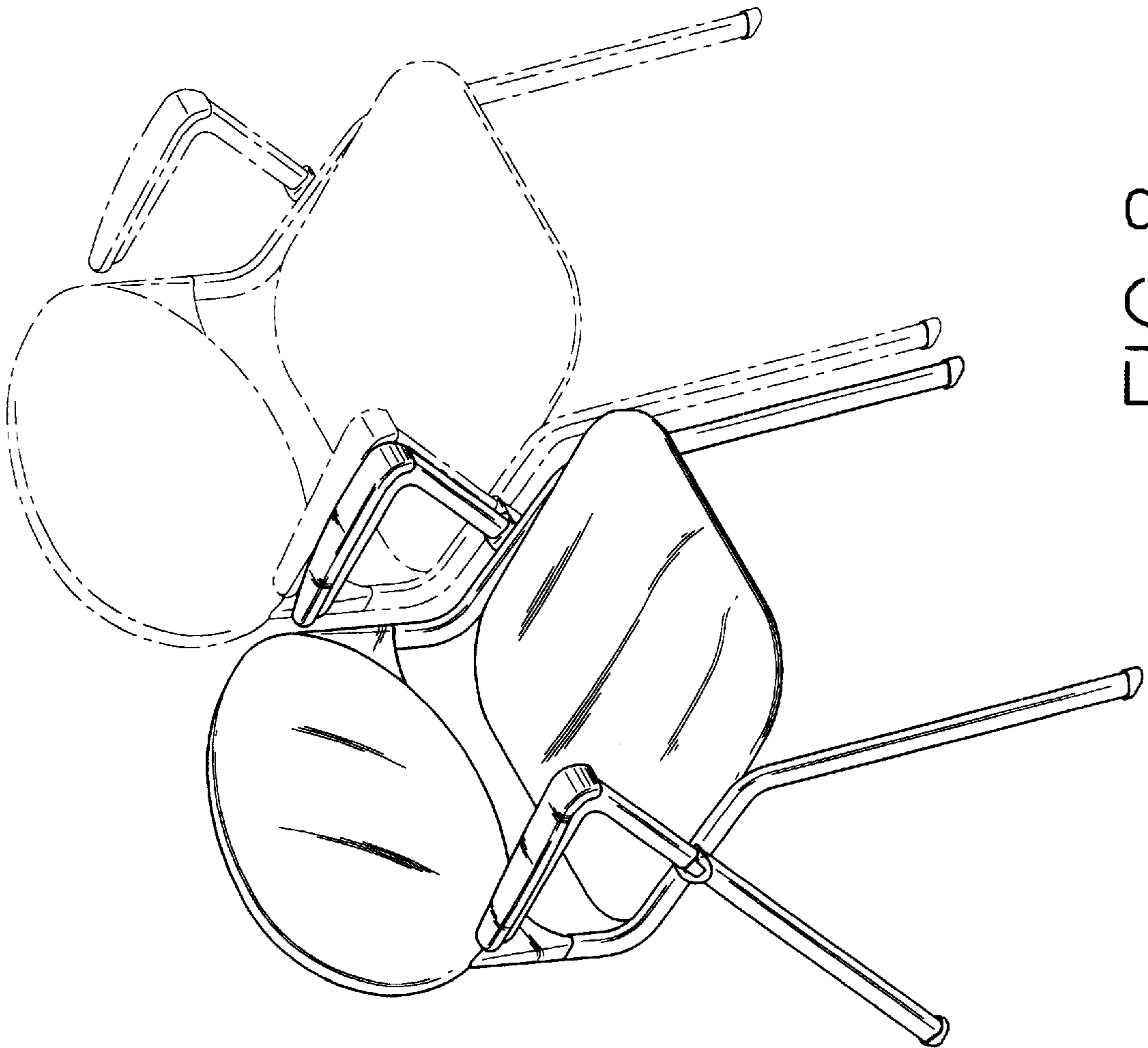


FIG. 8