



US00D418319S

# United States Patent [19] van Rhienen

[11] **Patent Number: Des. 418,319**  
[45] **Date of Patent: \*\* Jan. 4, 2000**

[54] **STACKABLE CHAIR WITH ROUNDED BACK**

[75] Inventor: **Alphons van Rhienen**, Schoten, Belgium

[73] Assignee: **Euro United Corporation**, Oakville, Canada

[\*\*] Term: **14 Years**

[21] Appl. No.: **29/104,460**

[22] Filed: **May 5, 1999**

[51] **LOC (7) Cl.** ..... **06-01**

[52] **U.S. Cl.** ..... **D6/369; D6/379**

[58] **Field of Search** ..... D6/334, 369, 370, D6/374, 375, 376, 379, 380, 500, 501, 502; 297/239, 445.1, 446.1, 452.64, DIG. 2

[56] **References Cited**

### U.S. PATENT DOCUMENTS

D. 234,240	2/1975	Noda et al. .	
D. 329,339	9/1992	Grosfillex .	
D. 331,324	12/1992	Grosfillex .	
D. 336,174	6/1993	Lamalle .....	D6/379
D. 338,347	8/1993	Hubert .	
D. 343,528	1/1994	Hess .....	D6/376
D. 347,745	6/1994	Grosfillex .	
D. 361,902	9/1995	Van Skiver .....	D6/370
D. 361,903	9/1995	VanSkiver .	
D. 364,284	11/1995	Prosperio .....	D6/374

D. 364,748	12/1995	Morin .	
D. 368,384	4/1996	Grosfillex .....	D6/379
D. 370,361	6/1996	Grosfillex .	
D. 373,255	9/1996	Gresens .....	D6/379
D. 373,478	9/1996	Grosfillex .....	D6/369
D. 375,635	11/1996	Grosfillex .....	D6/369
D. 386,010	11/1997	Grosfillex .....	D6/369

### FOREIGN PATENT DOCUMENTS

66187 6/1990 Canada .

### OTHER PUBLICATIONS

“Creez Votre, Propre Decor De Jardin” Sears Catalog, May 1991.

*Primary Examiner*—Gary D. Watson  
*Attorney, Agent, or Firm*—Barrigar & Moss

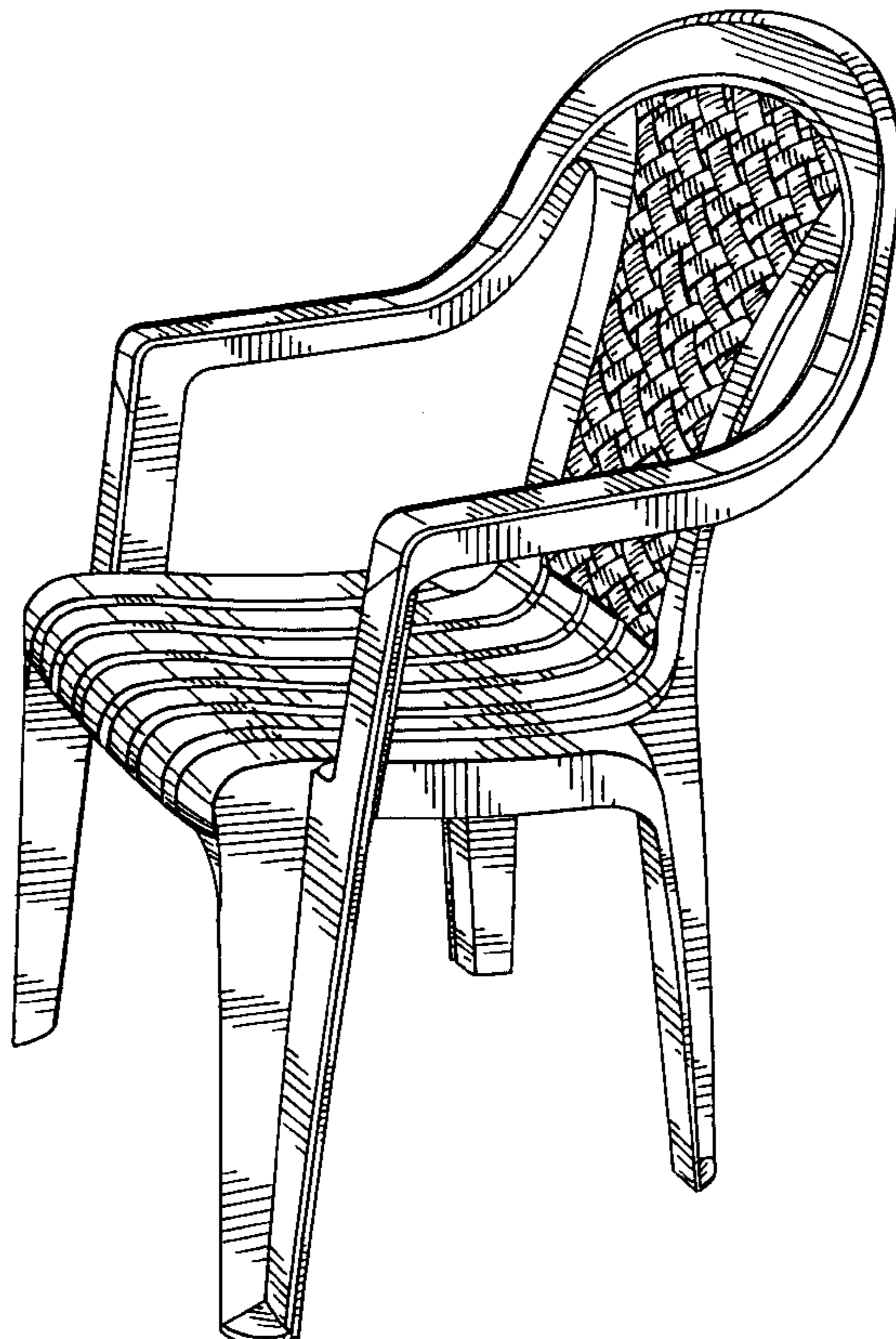
### [57] CLAIM

The ornamental design for a stackable chair with rounded back, as shown and described.

### DESCRIPTION

FIG. 1 is a perspective view of the design, this view showing the right and front sides thereof;  
FIG. 2 is a front view of the design;  
FIG. 3 is a back view of the design;  
FIG. 4 is a right side view of the design, the left side view being a mirror image of this view; and,  
FIG. 5 is a top view of the design.

**1 Claim, 3 Drawing Sheets**



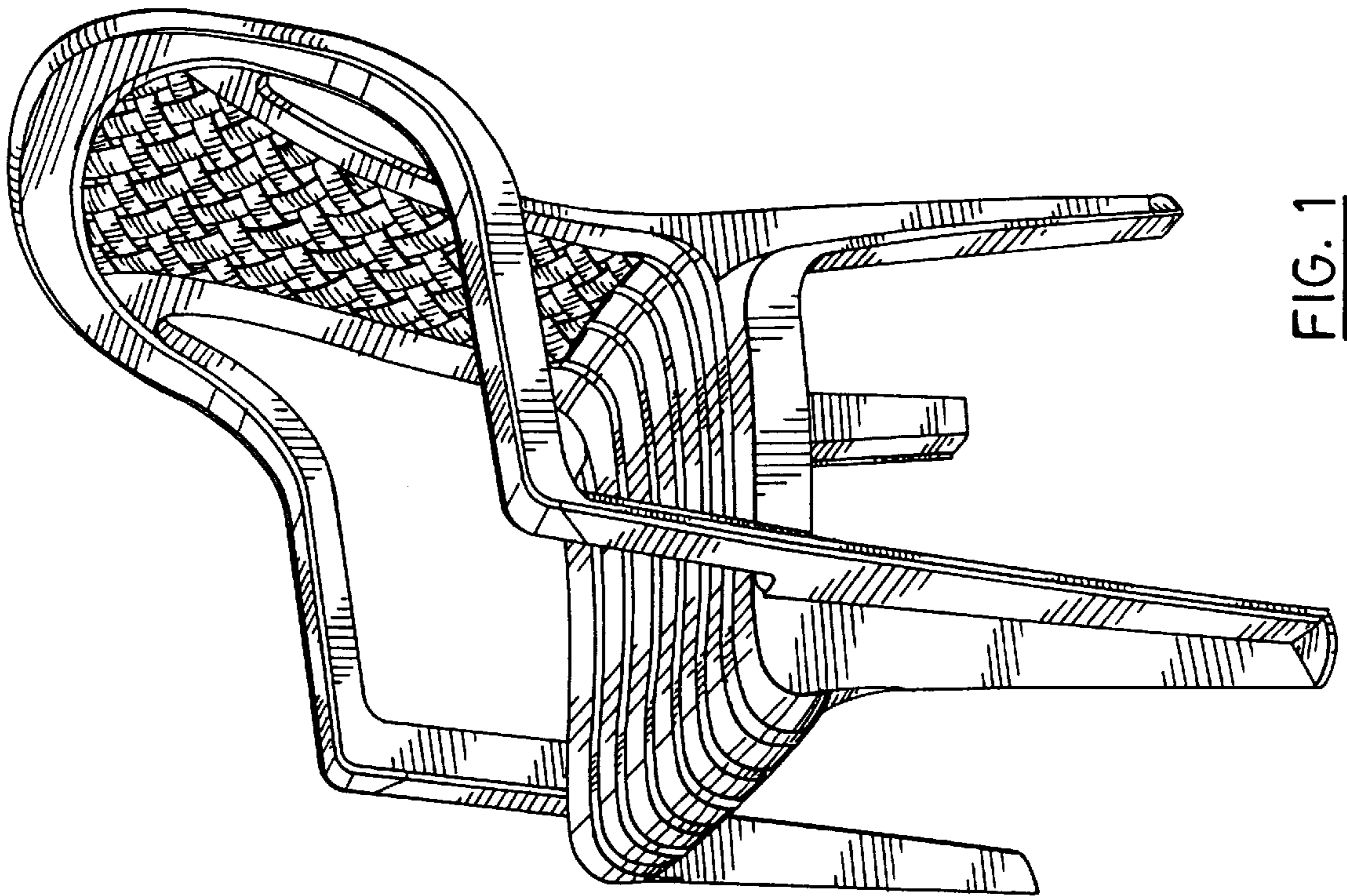


FIG. 1

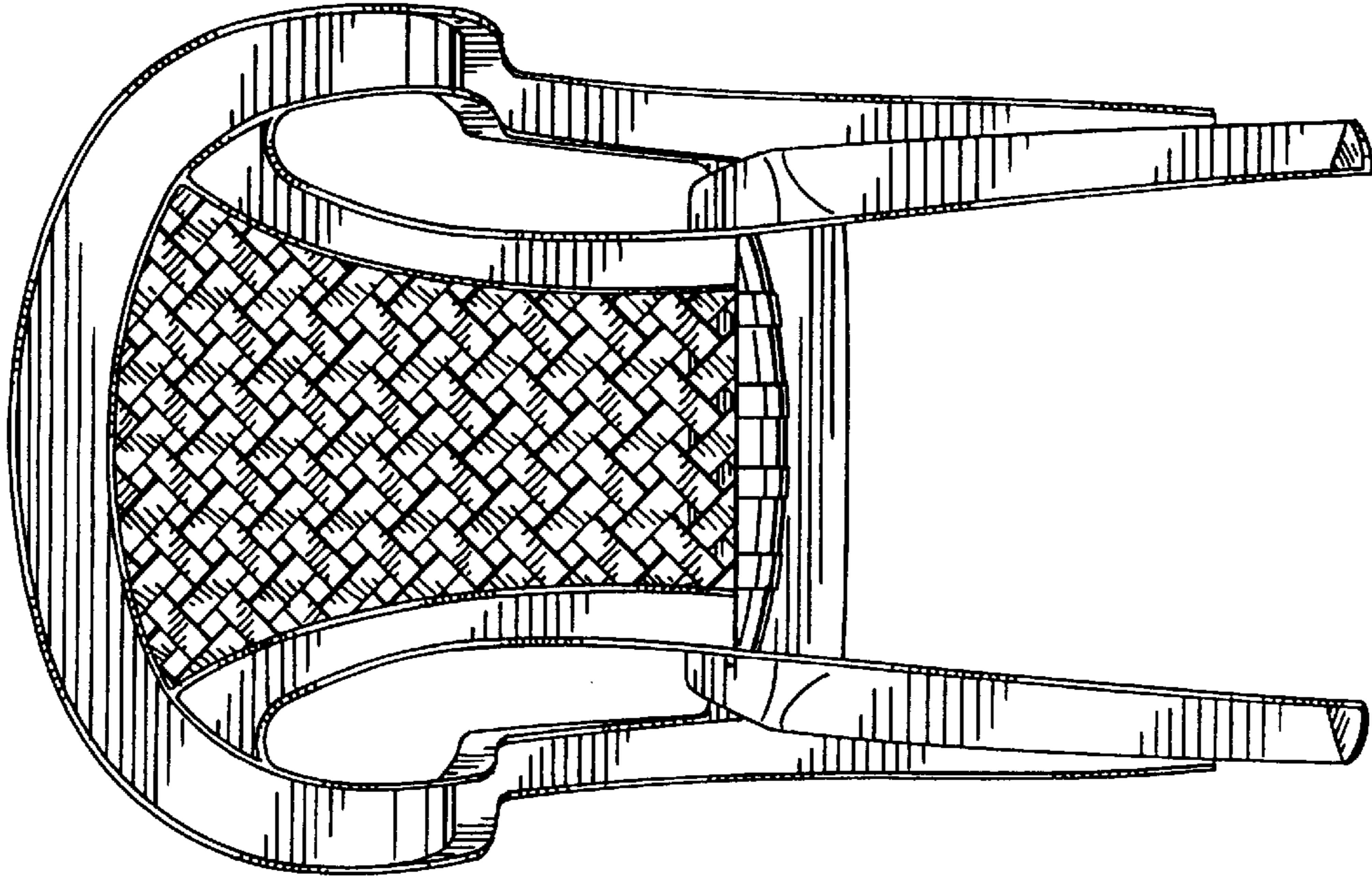


FIG. 3

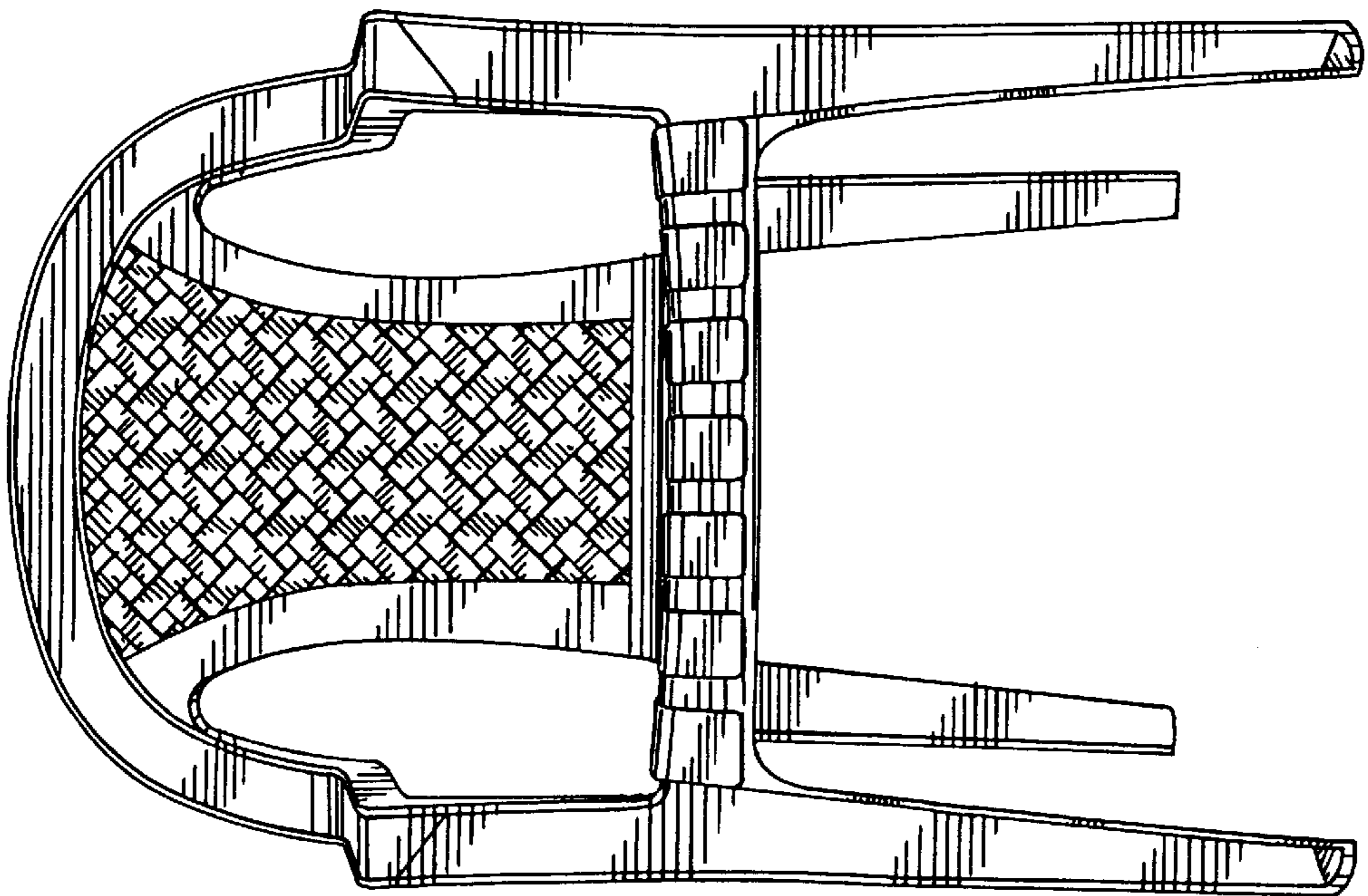


FIG. 2

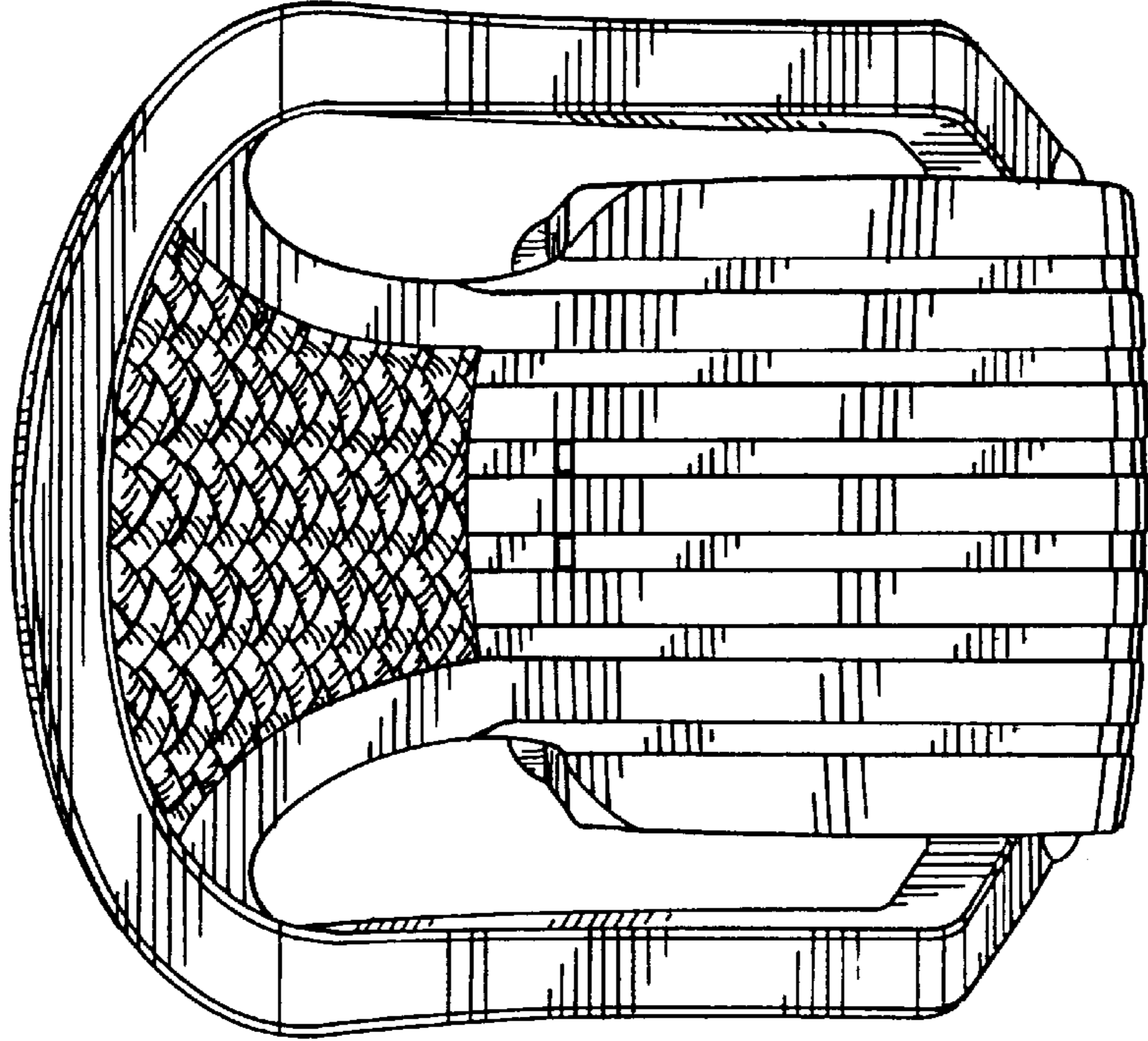


FIG. 5

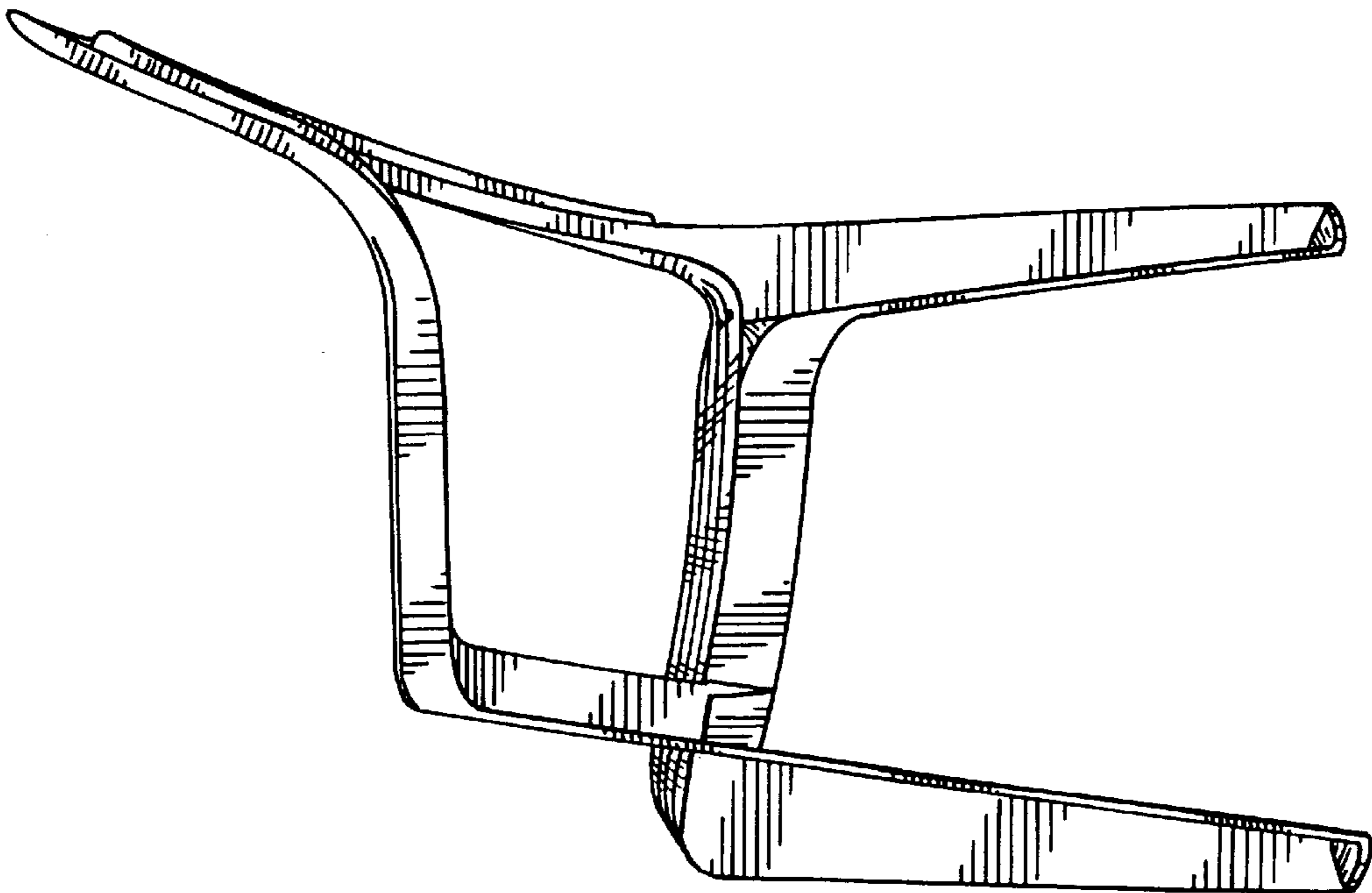


FIG. 4