



US00D418318S

United States Patent [19]

Jordan et al.

[11] Patent Number: **Des. 418,318**

[45] Date of Patent: **** Jan. 4, 2000**

[54] **FOLDABLE SEAT**

[76] Inventors: **Lance S. Jordan**, 5133 Glen View Pl., Bonita, Calif. 91902; **Edward F. Myers**, 9031 Rosedale Dr., Spring Valley, Calif. 91977

[**] Term: **14 Years**

[21] Appl. No.: **29/097,015**

[22] Filed: **Nov. 25, 1998**

[51] **LOC (7) Cl.** **06-01**

[52] **U.S. Cl.** **D6/368; D6/381**

[58] **Field of Search** D6/334, 335, 367, D6/368, 374, 375, 379, 381, 500, 501, 502; 297/35, 39

[56] **References Cited**

U.S. PATENT DOCUMENTS

D. 140,485	2/1945	Salmon .	
2,638,970	5/1953	Harber	297/39
2,871,921	2/1959	Arnold	297/39
3,948,555	4/1976	Lesser et al.	297/39
4,058,341	11/1977	Prints	297/39
4,676,548	6/1987	Bradbury	297/39
4,693,510	9/1987	Marchesini	297/39
4,963,762	10/1990	Brooks	297/39
5,054,848	10/1991	Liu	297/39

OTHER PUBLICATIONS

Sears, Spring & Summer 1960, p. 1267, Settee #1 and chair #3.

Wards, Spring & Summer 1960, p. 520, Settee #F and chair #E.

Telescope, 1971, PE11, Folding Beach Chair, #788.

Primary Examiner—Doris V. Coles

Assistant Examiner—Mimosa De

Attorney, Agent, or Firm—Brown, Martin, Haller & McClain, LLP

[57] **CLAIM**

The ornamental design for a foldable seat, as shown and described.

DESCRIPTION

FIG. 1 is a front perspective view of a foldable seat showing our new design;

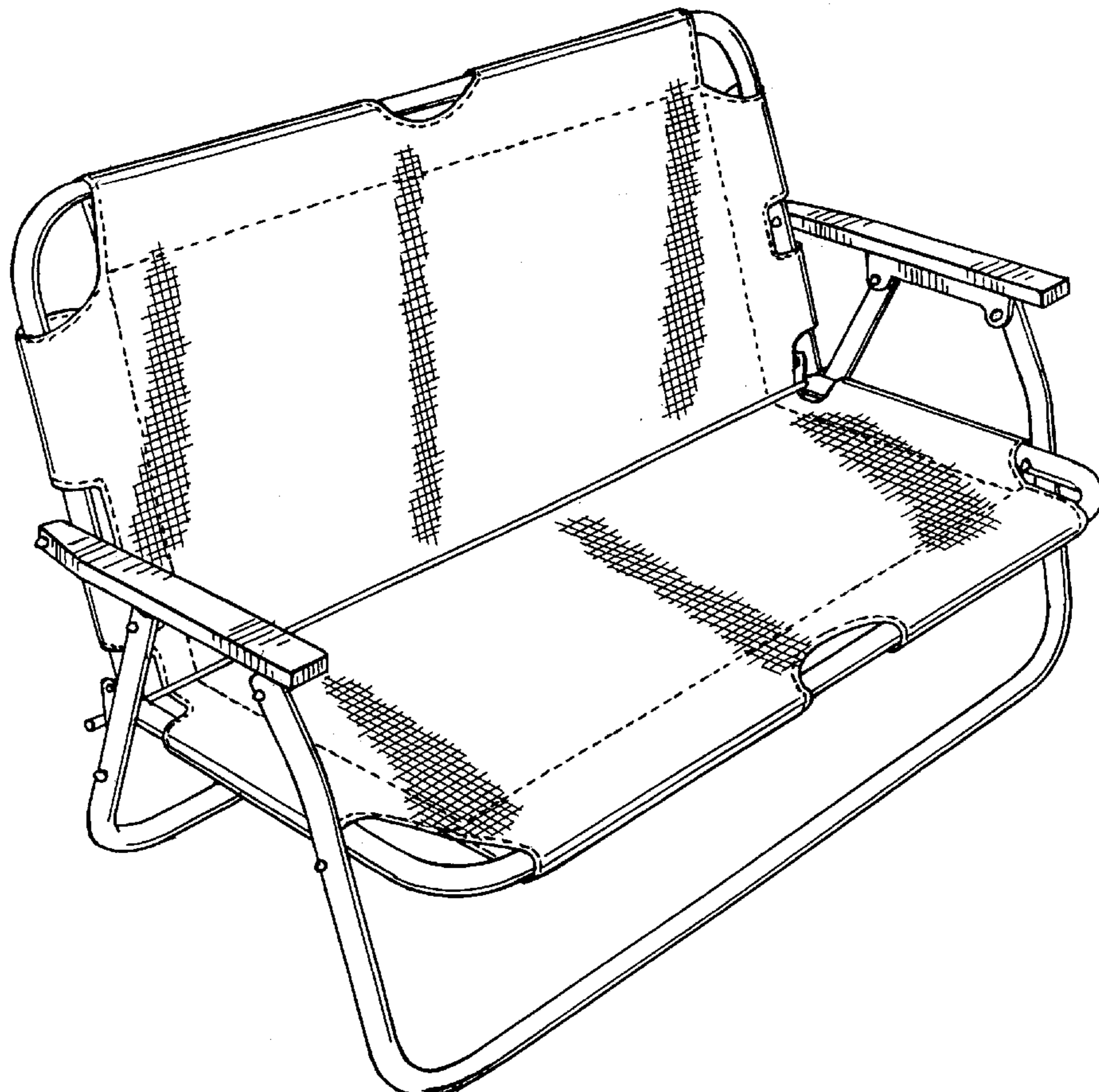
FIG. 2 is an end perspective view thereof;

FIG. 3 is a rear perspective view thereof; and,

FIG. 4 is a bottom plan view thereof.

The broken lines on the foldable seat are understood to represent stitching and the criss cross pattern represents a fabric material and is understood to be repeated throughout the area shown.

1 Claim, 2 Drawing Sheets



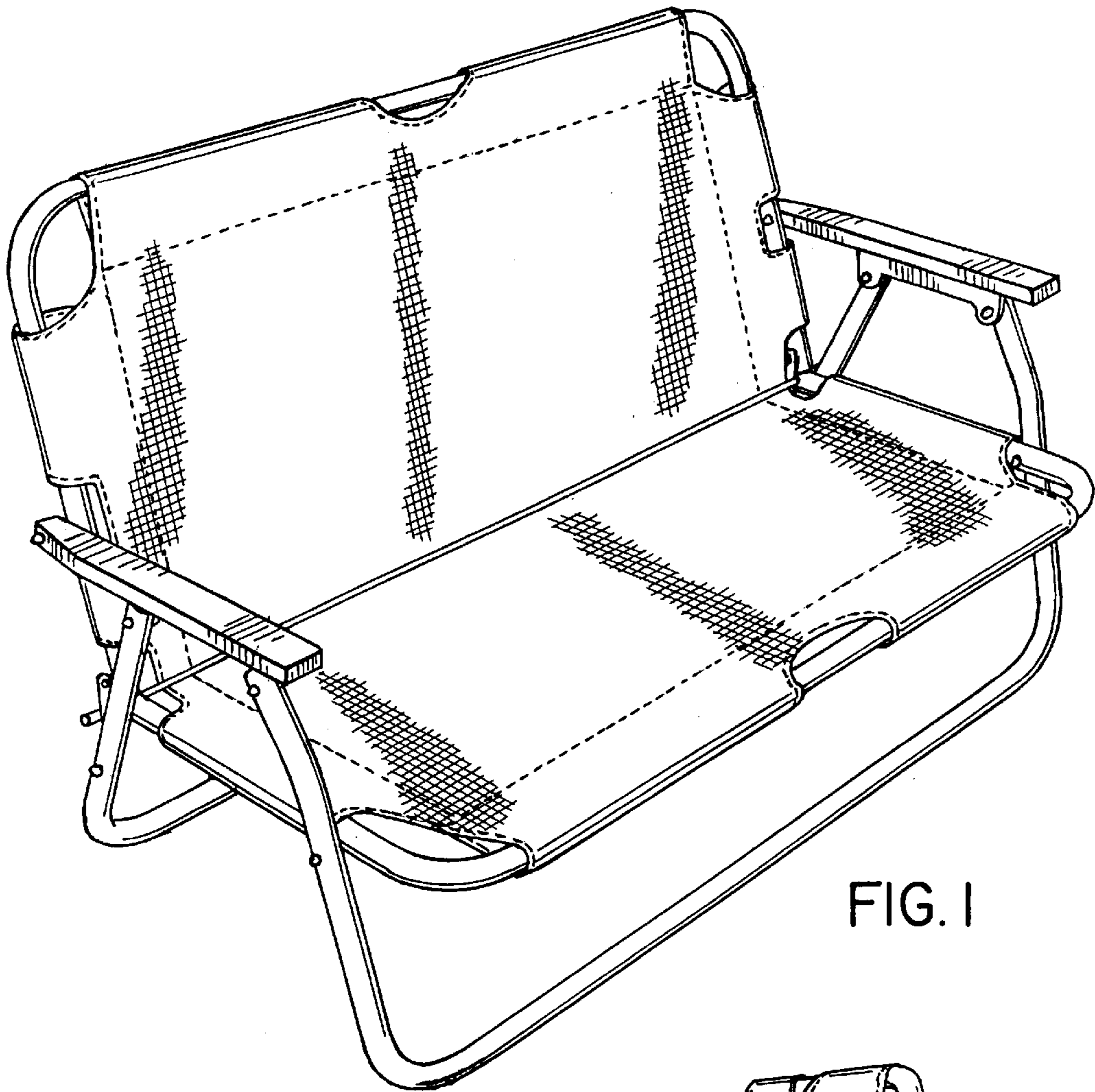


FIG. 1

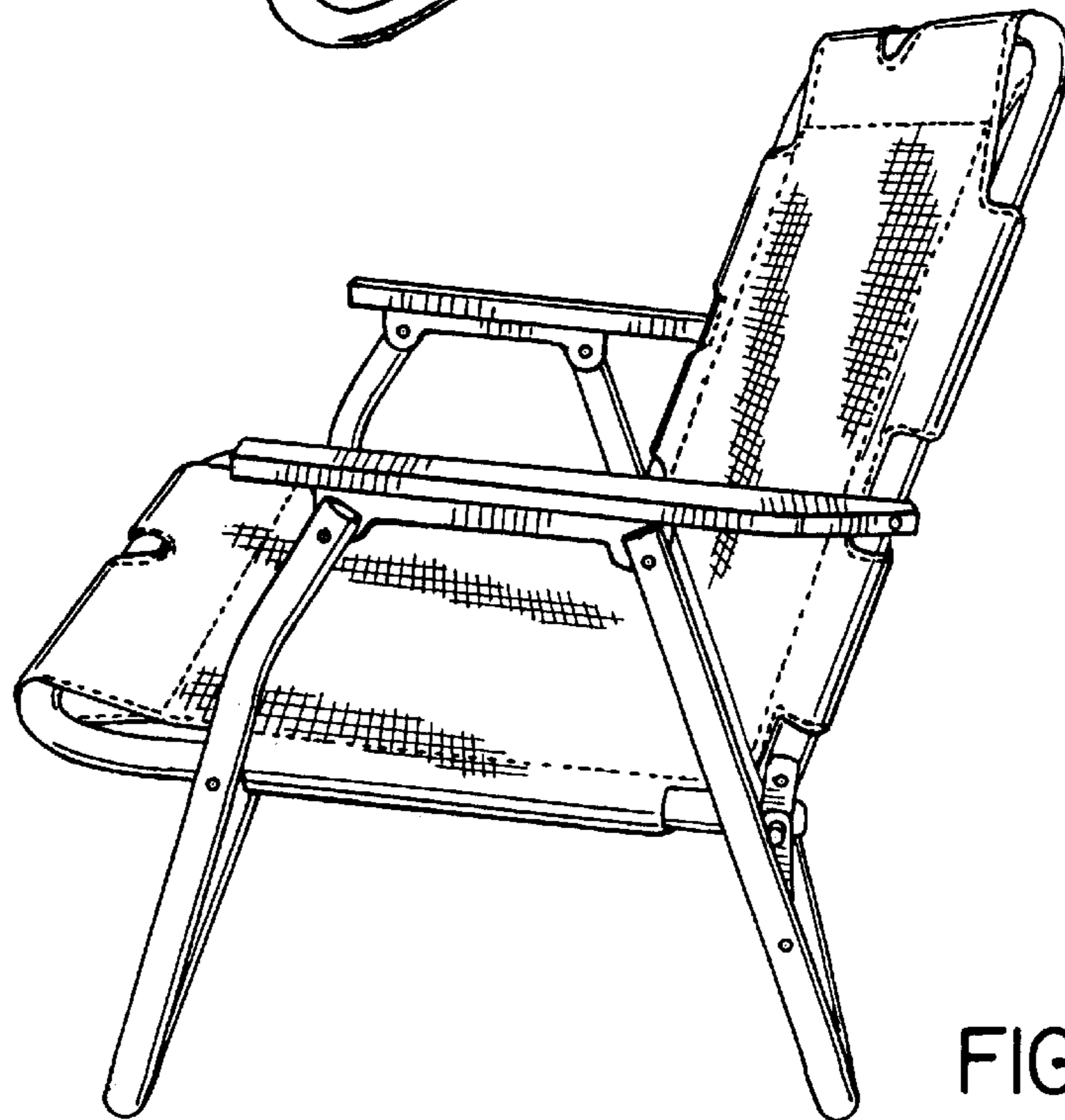


FIG. 2

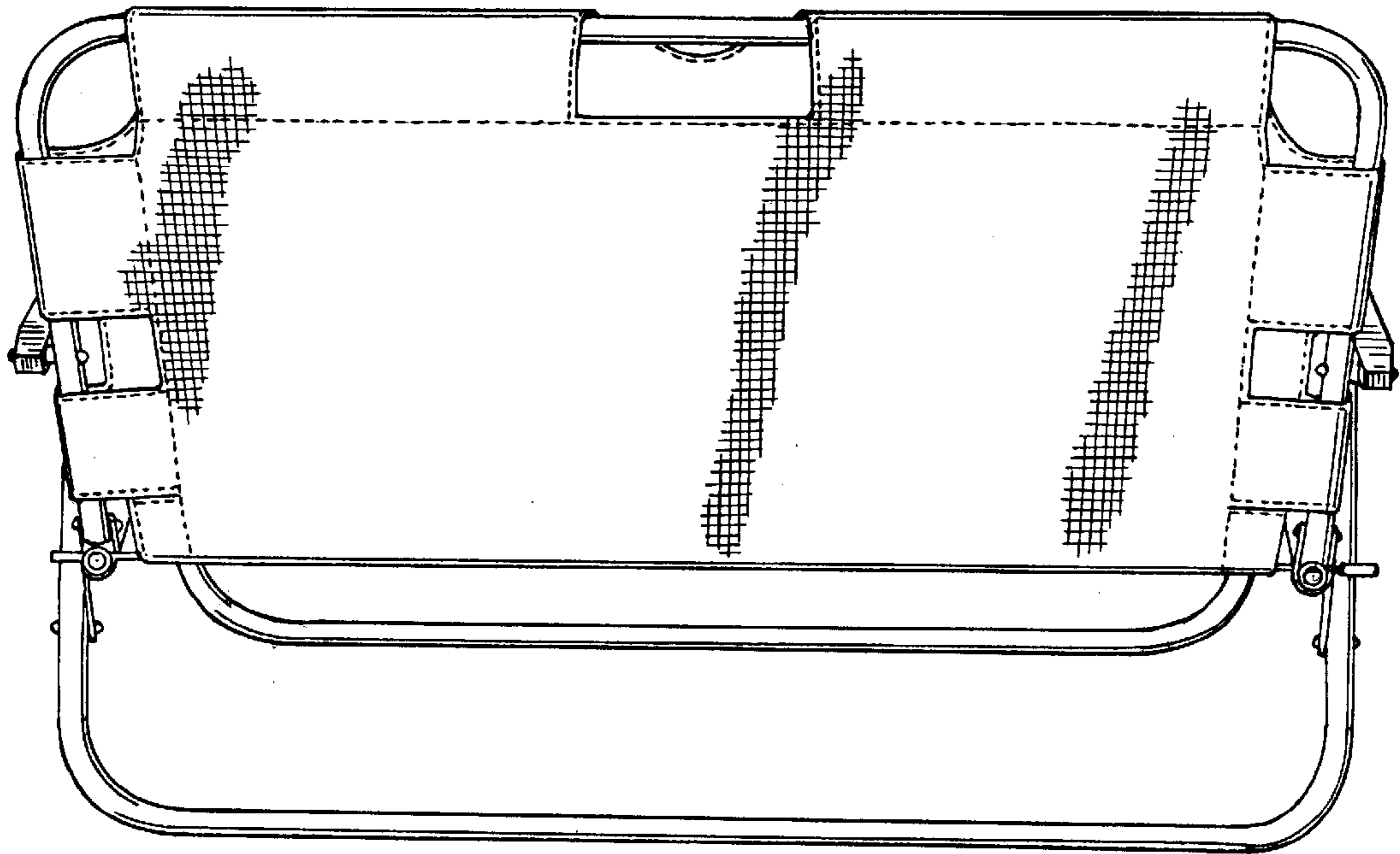


FIG. 3

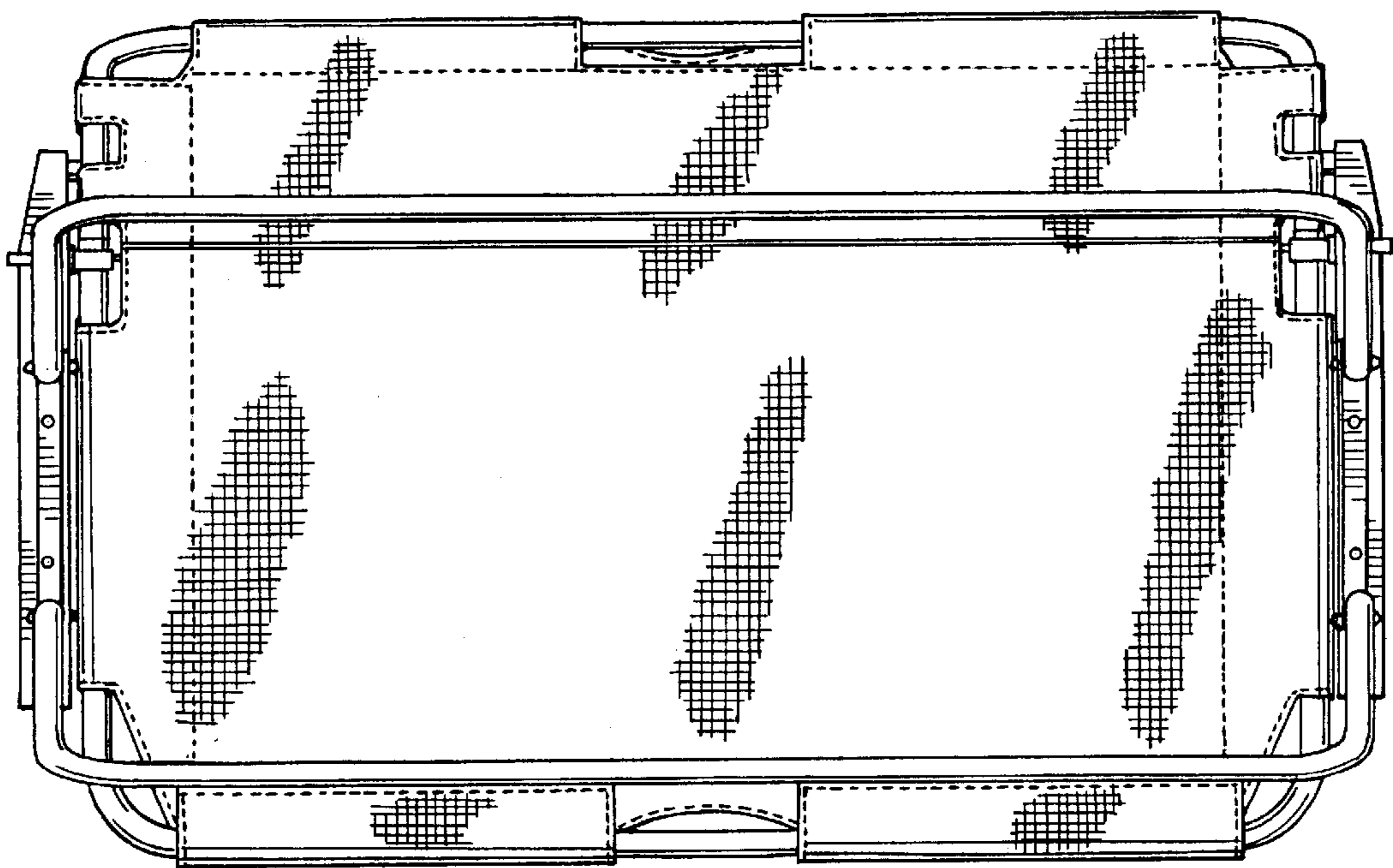


FIG. 4