



US00D418314S

United States Patent [19] Hines

[11] **Patent Number: Des. 418,314**
[45] **Date of Patent: ** Jan. 4, 2000**

[54] **AERIAL CHAIR**

[76] Inventor: **Craig Hines**, 8002 Timberline Dr., #3,
Bozeman, Mont. 59718

[**] Term: **14 Years**

[21] Appl. No.: **29/083,001**

[22] Filed: **Jan. 20, 1998**

[51] **LOC (7) Cl.** **06-01**

[52] **U.S. Cl.** **D6/347**

[58] **Field of Search** D6/333, 334, 347;
D21/823, 825; 297/273, 277, 278; 472/118,
122

[56] **References Cited**

U.S. PATENT DOCUMENTS

D. 243,044	1/1977	Pathman	D6/347
D. 244,068	4/1977	Styron, Jr.	D6/347
D. 254,458	3/1980	Wakefield	D6/347
D. 260,110	8/1981	Gomes	D21/823
D. 268,232	3/1983	Scales	D6/333
D. 287,671	1/1987	Bock	D6/347
D. 326,781	6/1992	Brundige	D6/344
D. 364,969	12/1995	Boone	D6/344
484,093	10/1892	Golterman	297/277
688,368	12/1901	Waddel	297/277
1,369,747	2/1921	Jordan	297/273
4,101,165	7/1978	Hammer	297/273
4,188,063	2/1980	Dusart	297/273

4,304,437	12/1981	Longo	297/277
5,511,258	4/1996	Barr, Sr.	472/118
5,766,083	6/1998	Autrey	471/118
5,788,327	8/1998	Gregory	297/273

Primary Examiner—Doris V. Coles
Assistant Examiner—Mimosa De
Attorney, Agent, or Firm—Salzman & Levy

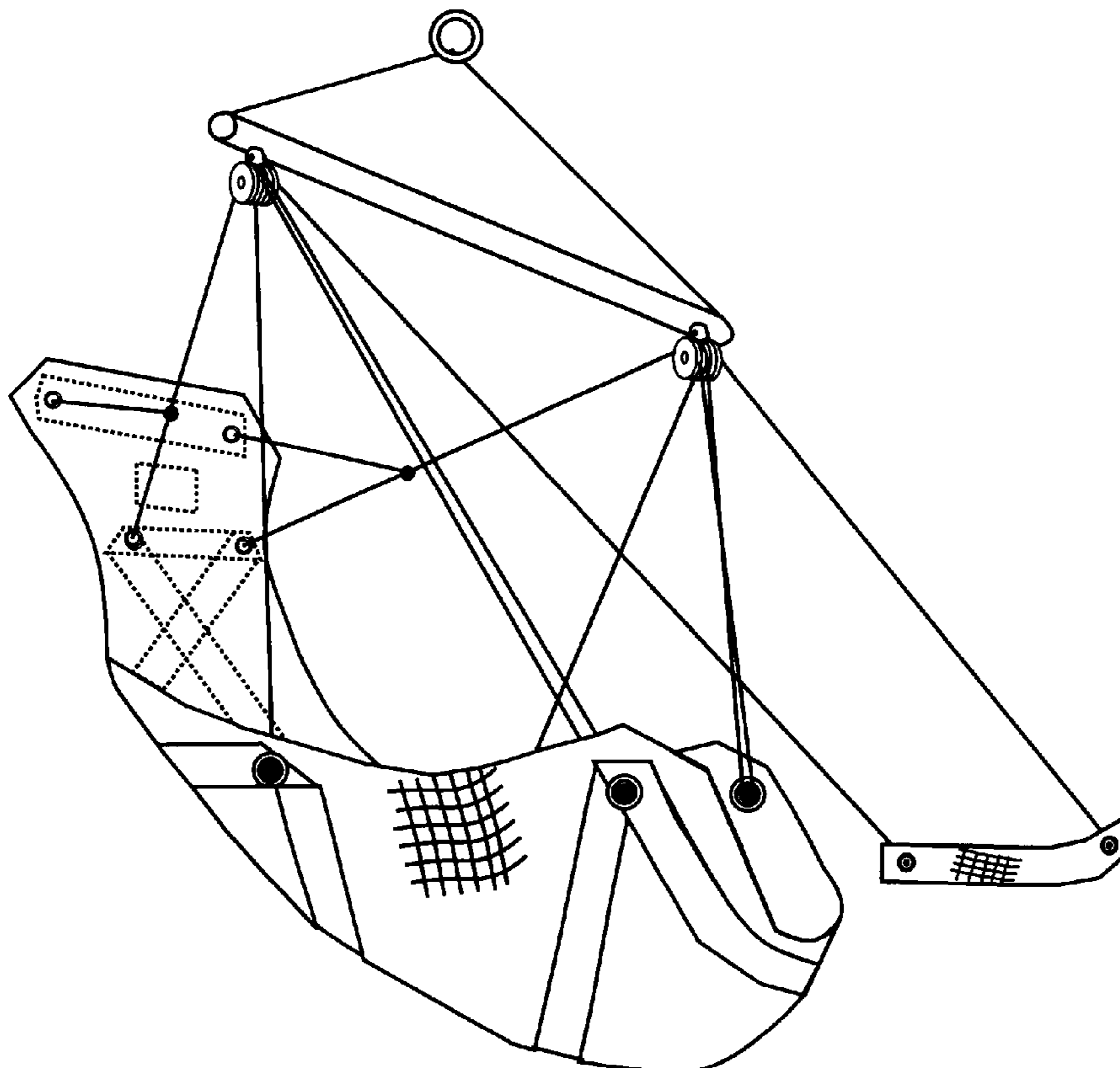
[57] **CLAIM**

The ornamental design for an aerial chair, as shown and described.

DESCRIPTION

FIG. 1 is front elevational view of the aerial chair; FIG. 2 is a rear elevational view of the aerial chair; FIG. 3 is a right, perspective view of the aerial chair; FIG. 4 is a left, perspective view of the aerial chair; FIG. 5 is a right-rear, perspective view of the aerial chair; FIG. 6 is a left-rear, perspective view of the aerial chair; FIG. 7 is a top, plan view of the aerial chair; and, FIG. 8 is a bottom plan view of the aerial chair. Black dots at the juncture of cords in all figures are intended to represent knots. Fragmentary criss-cross shading showing in all views is understood to represent a fabric material and is repeated throughout the surfaces shown. The broken lines in FIGS. 1, 3, 4, and 7 represent conventional stitching.

1 Claim, 4 Drawing Sheets



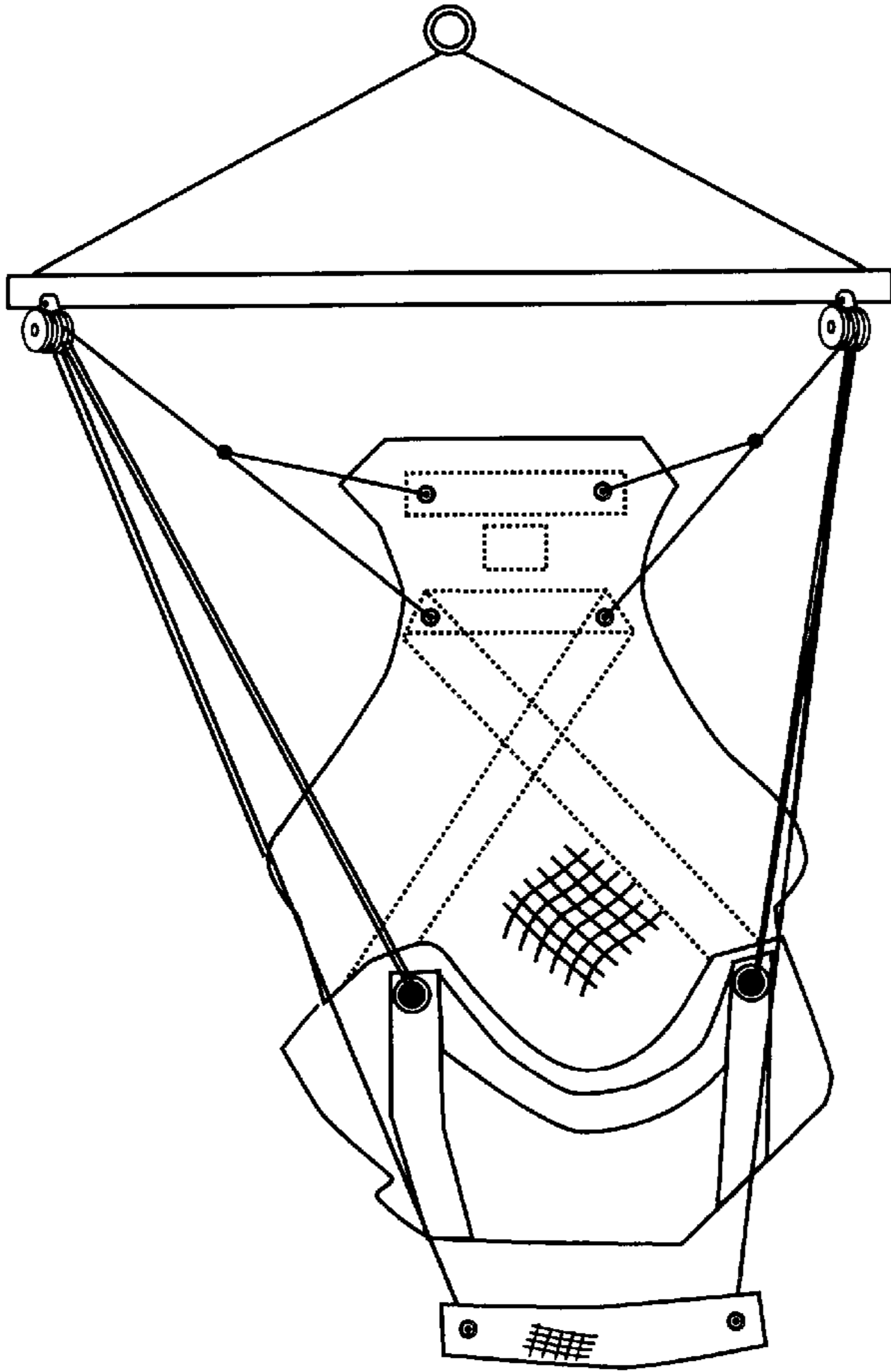


Figure 1

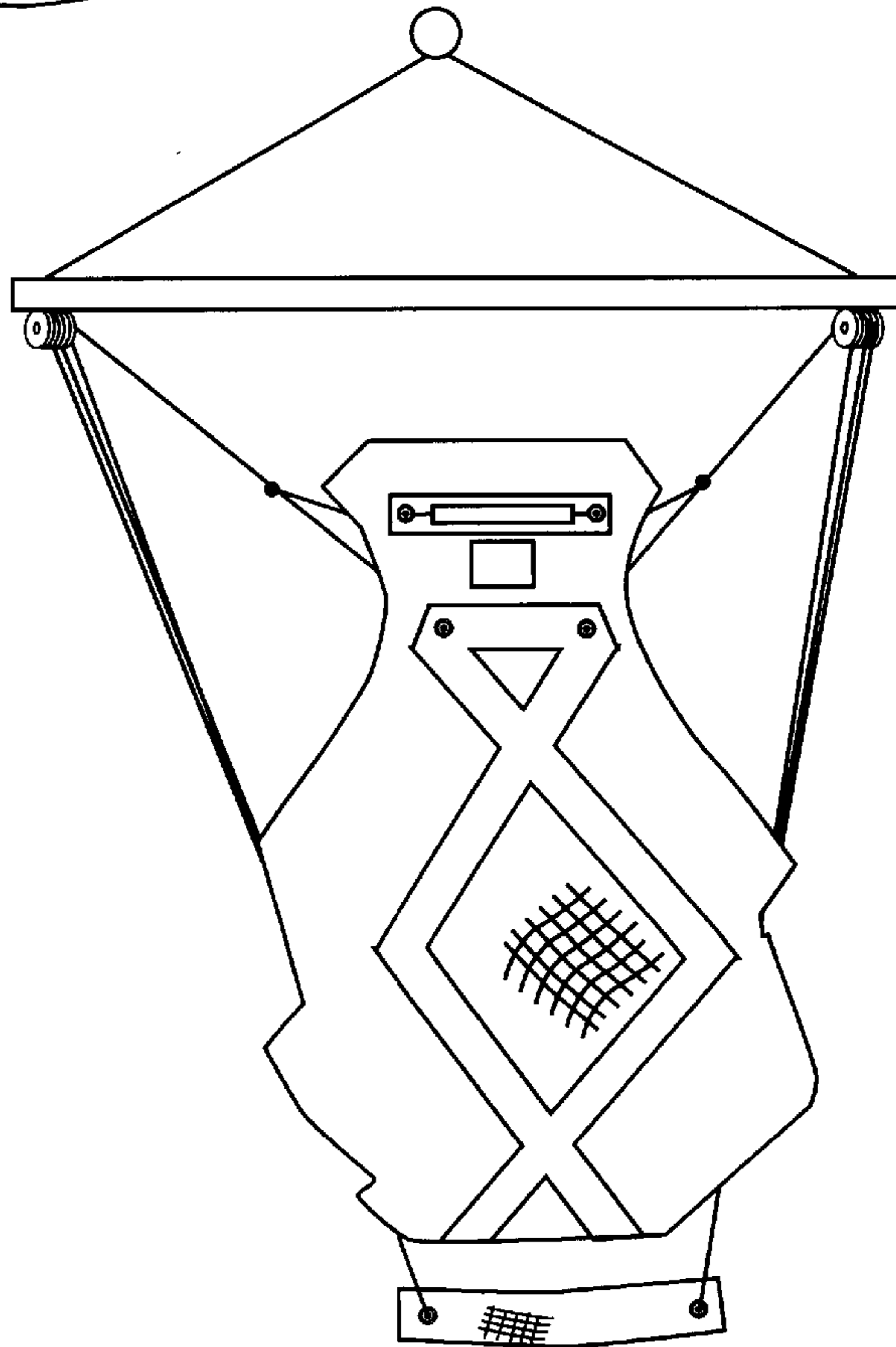


Figure 2

Figure 3

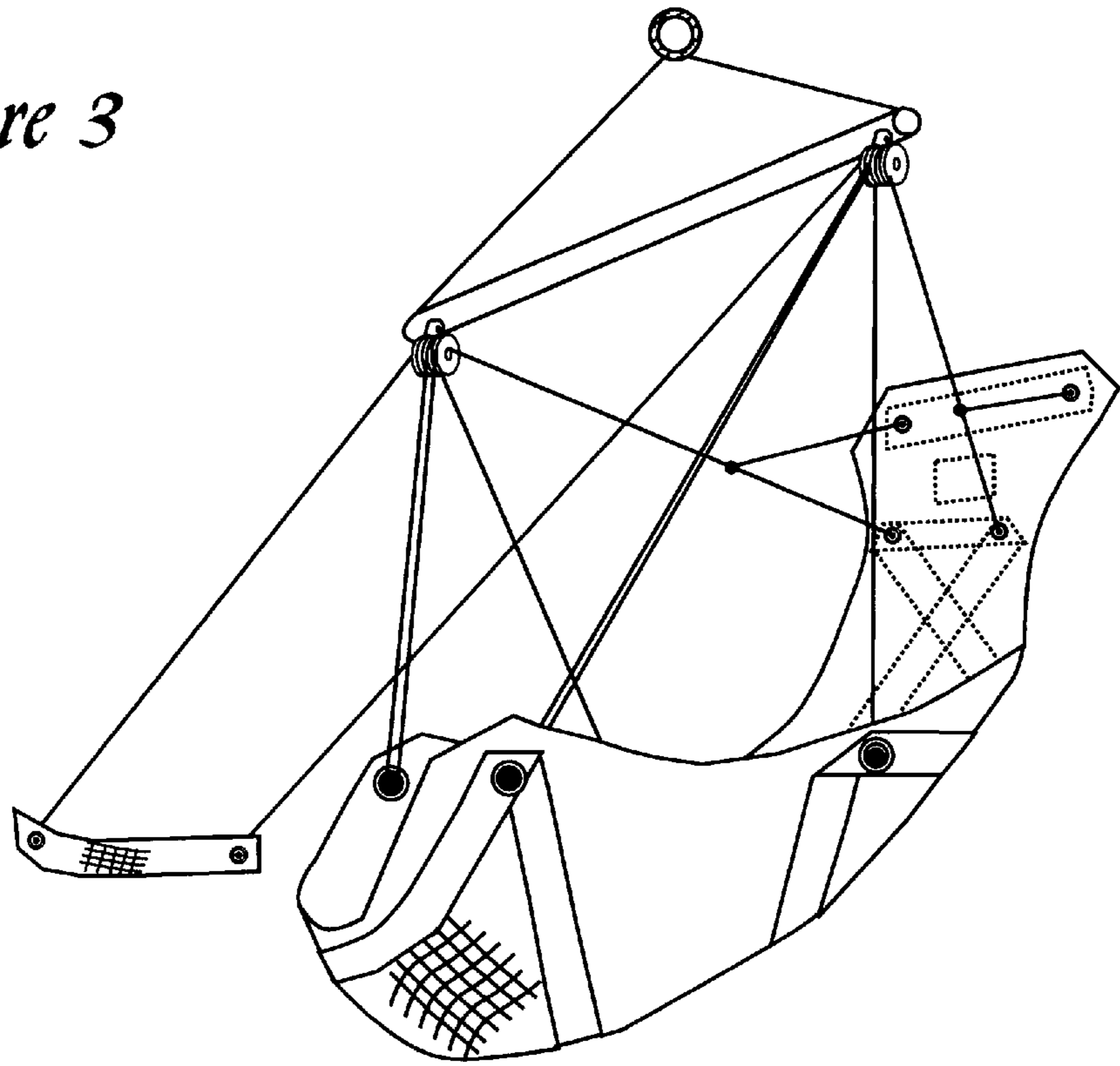


Figure 4

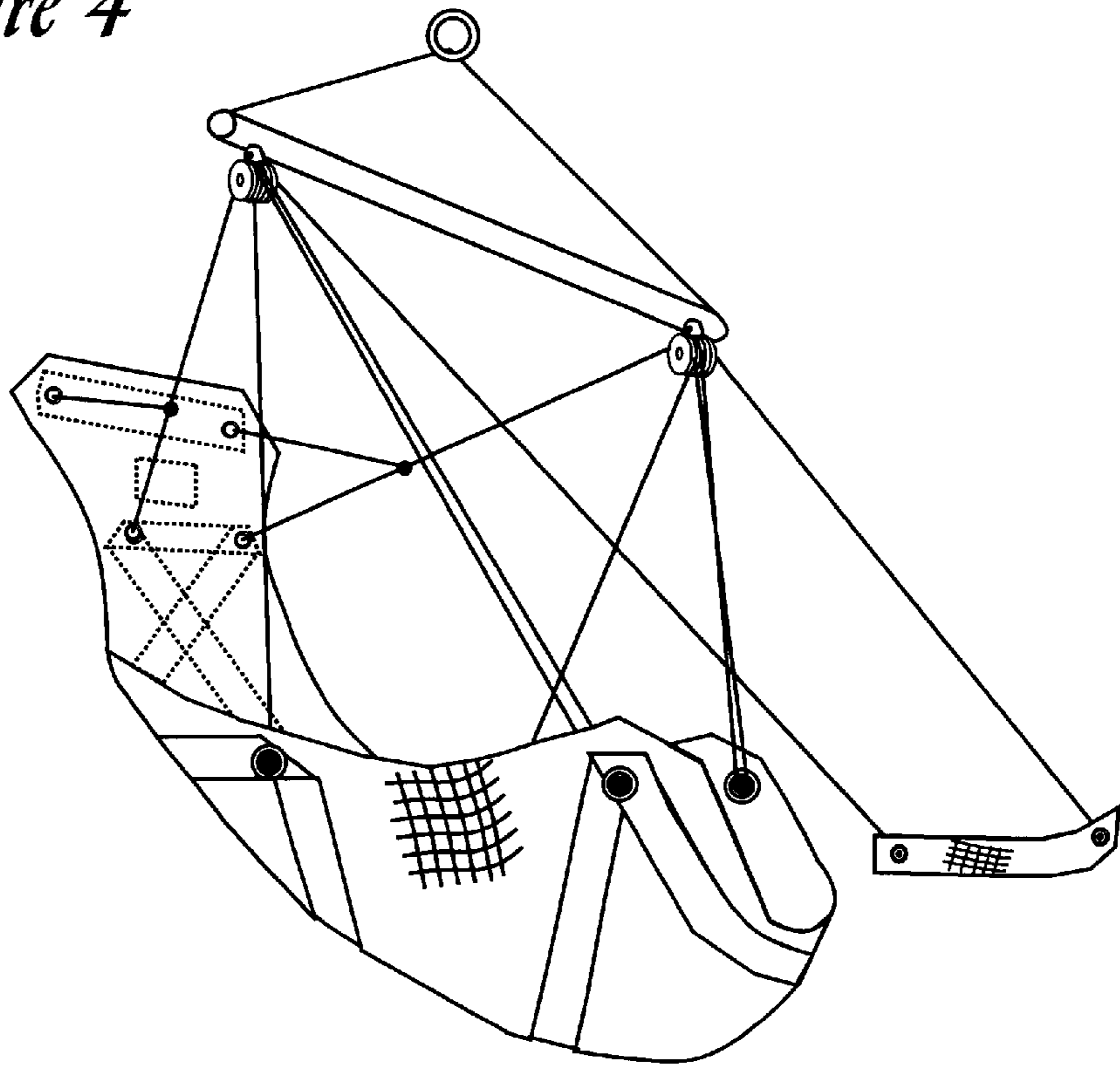


Figure 5

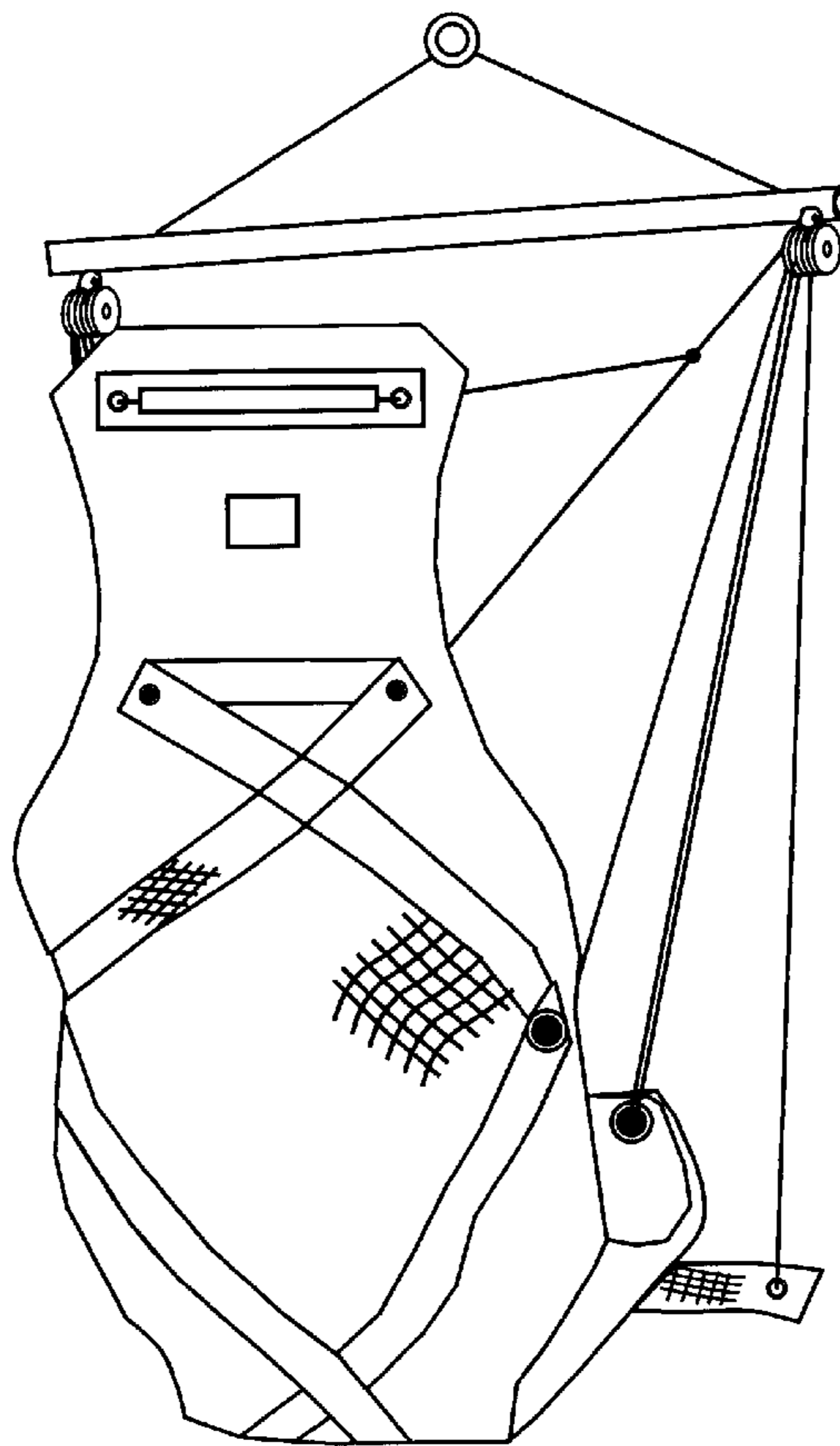


Figure 6

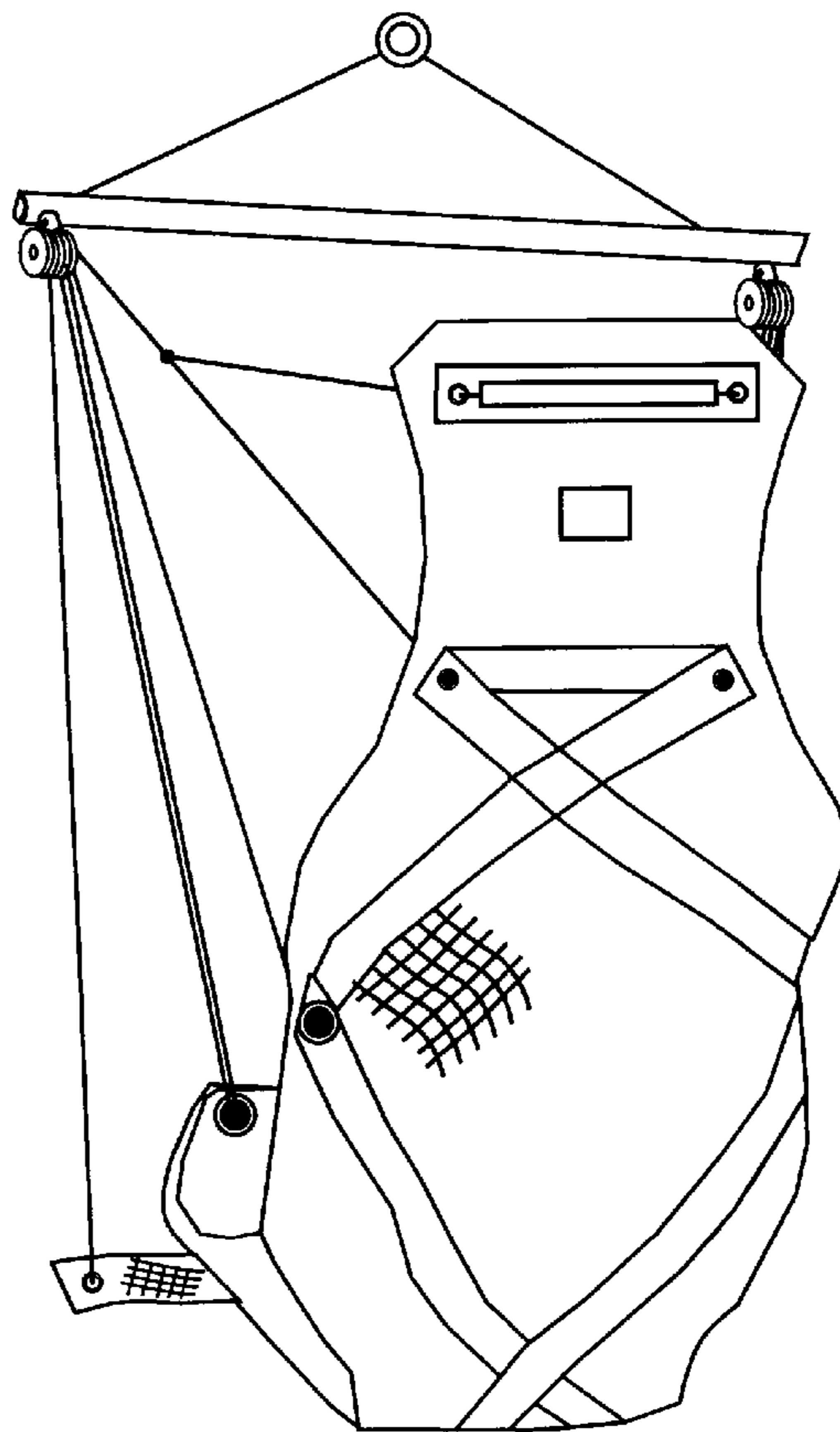


Figure 7

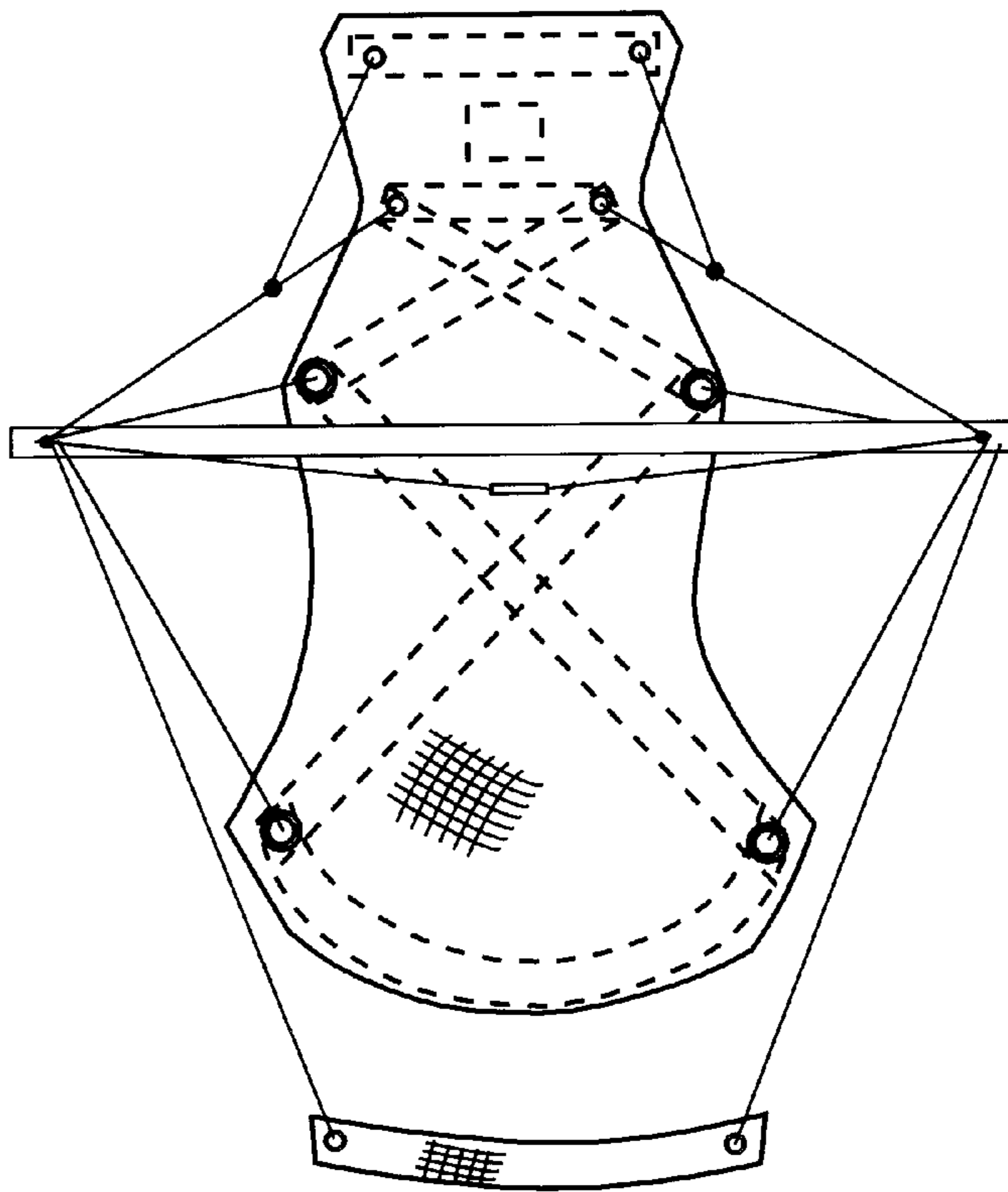


Figure 8

