



US00D418313S

United States Patent [19]

Sexton et al.

[11] Patent Number: **Des. 418,313**

[45] Date of Patent: **** Jan. 4, 2000**

[54] **BENCH AND ADVERTISING FRAME**

[75] Inventors: **Douglas Sexton**, Burlington, Canada;
Peter Murphy; **Andrew Bissett**, both
of Auckland, Netherlands

[73] Assignee: **Sellex Outdoor**, Burlington, Canada

[**] Term: **14 Years**

[21] Appl. No.: **29/095,390**

[22] Filed: **Oct. 22, 1998**

[51] **LOC (7) Cl.** **06-01**

[52] **U.S. Cl.** **D6/335; D6/381; D20/19**

[58] **Field of Search** D6/334, 335, 336,
D6/357, 364, 370, 371, 373, 374, 375,
379, 381, 397, 500, 501, 502; D20/19,
43; 40/320, 564, 727; 297/217.1, 217.5,
232, 452.14, DIG. 2

[56] **References Cited**

U.S. PATENT DOCUMENTS

D. 116,692	9/1939	Joyce et al.	D20/19
D. 122,598	9/1940	Henkel et al.	D6/375
D. 165,952	2/1952	Weatherly	D6/375
D. 181,732	12/1957	Keith	D6/336
D. 192,311	2/1962	Haas	D6/397
D. 195,800	7/1963	Reese	D6/397
D. 230,384	2/1974	Bialosky	D6/371
D. 278,003	3/1985	Gagliano .	
D. 286,586	11/1986	Radford	D6/334
D. 297,983	10/1988	Friedman .	
D. 300,093	3/1989	Ranz et al.	D20/19
D. 316,637	5/1991	Hartwick	D6/397
D. 348,285	6/1994	Cunningham	D20/19

D. 360,995	8/1995	Pedersen	D6/371
D. 362,348	9/1995	Lodispoto .	
D. 374,992	10/1996	Burdick et al.	D6/334
D. 379,564	6/1997	Burdick et al.	D6/381
D. 383,618	9/1997	Burdick et al.	D6/381
D. 410,969	6/1999	Sexton et al.	D20/43
1,222,089	4/1917	Ferry	40/320
1,325,008	12/1919	Douglas	40/564
2,711,786	6/1955	Weiss	297/232
3,055,017	9/1962	Thierfelder	D6/336
3,337,260	8/1967	Proctor	D6/381
3,811,728	5/1974	Redemske .	
4,717,202	1/1988	Batchelder, III et al. .	

FOREIGN PATENT DOCUMENTS

68663 6/1991 Canada .

Primary Examiner—Gary D. Watson

Attorney, Agent, or Firm—Paul S. Sharpe; Marks & Clerk

[57] **CLAIM**

The ornamental design for a bench and advertising frame, as shown.

DESCRIPTION

FIG. 1 is a perspective view of the design showing the front of the article;

FIG. 2 is a perspective view of the design showing the rear of the article;

FIG. 3 is a front elevation view of the design;

FIG. 4 is a rear elevation view of the design;

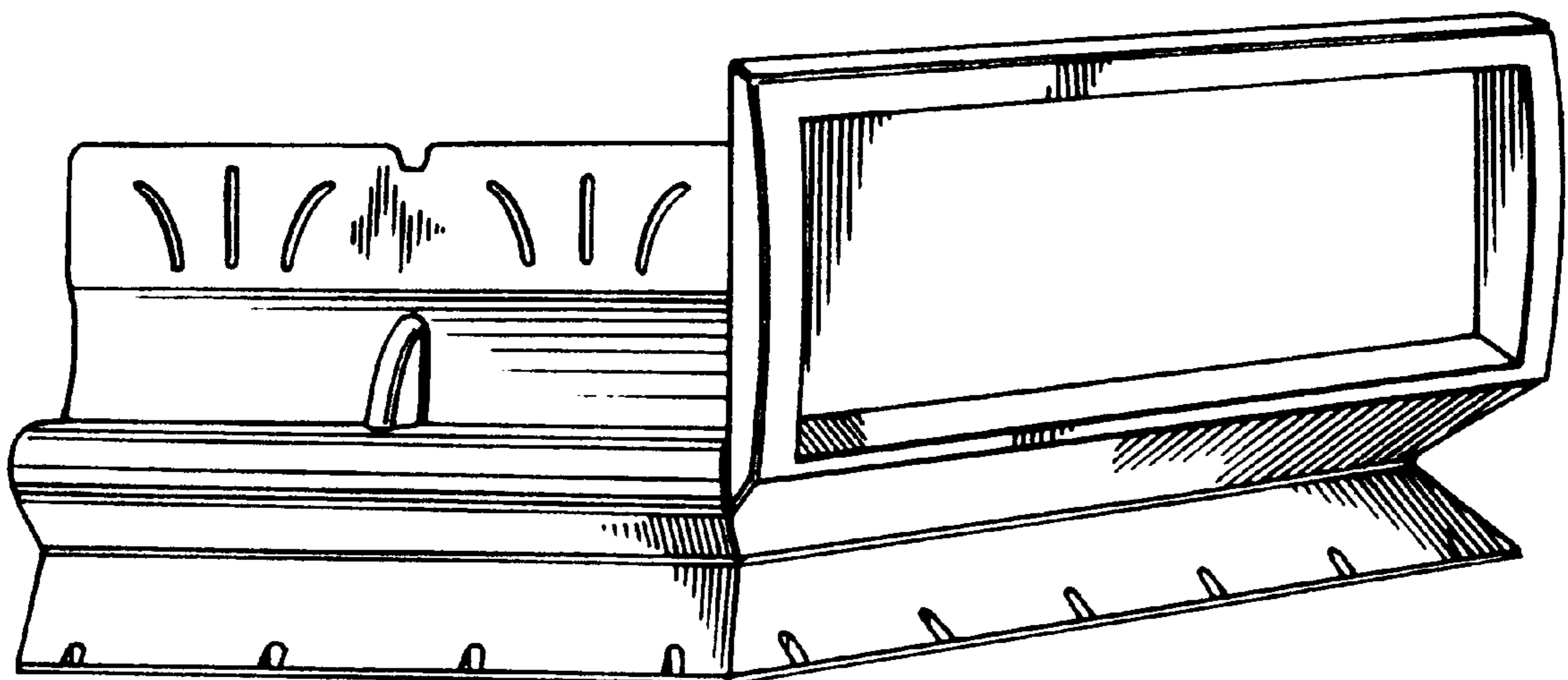
FIG. 5 is a top plan view of the design;

FIG. 6 is a bottom plan view of the design;

FIG. 7 is a side view of one side of the design; and,

FIG. 8 is a side view of the other side of the design.

1 Claim, 4 Drawing Sheets



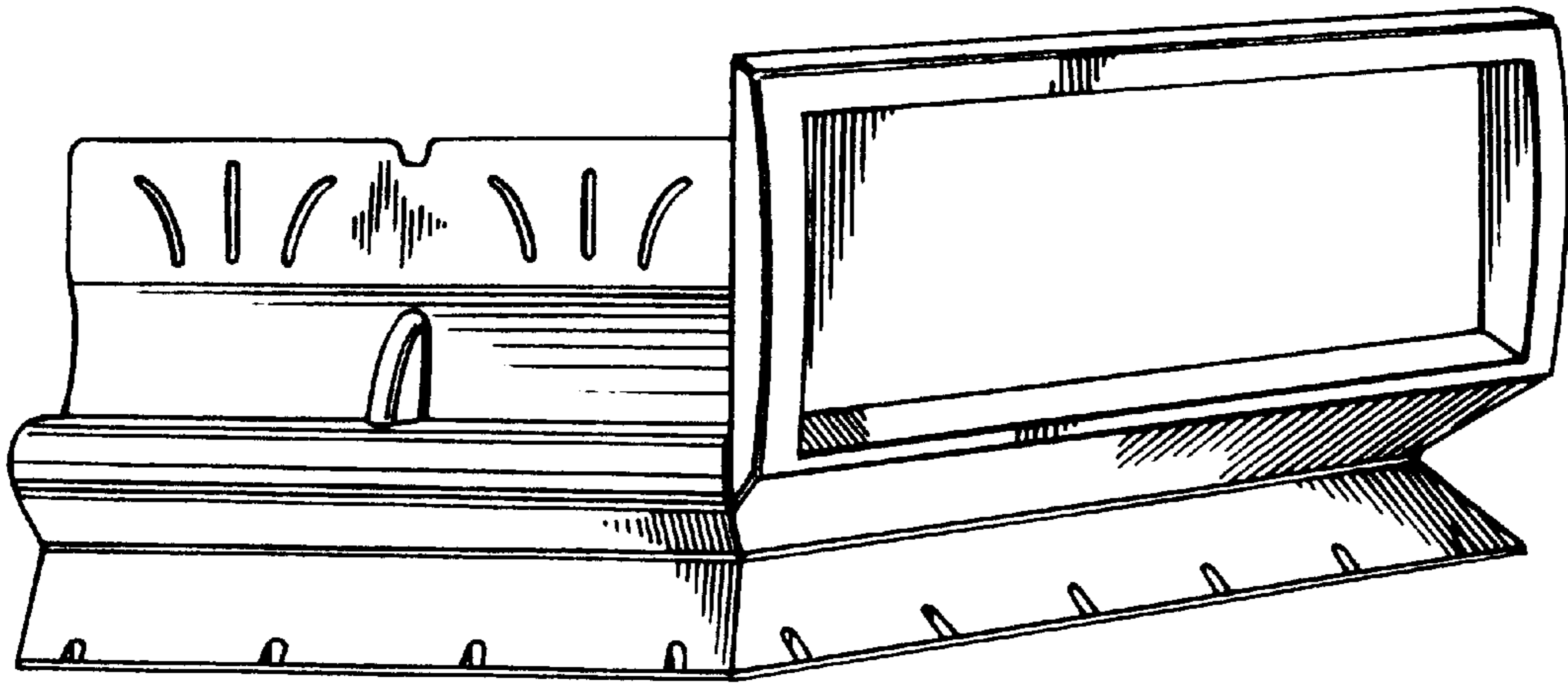


FIG. 1

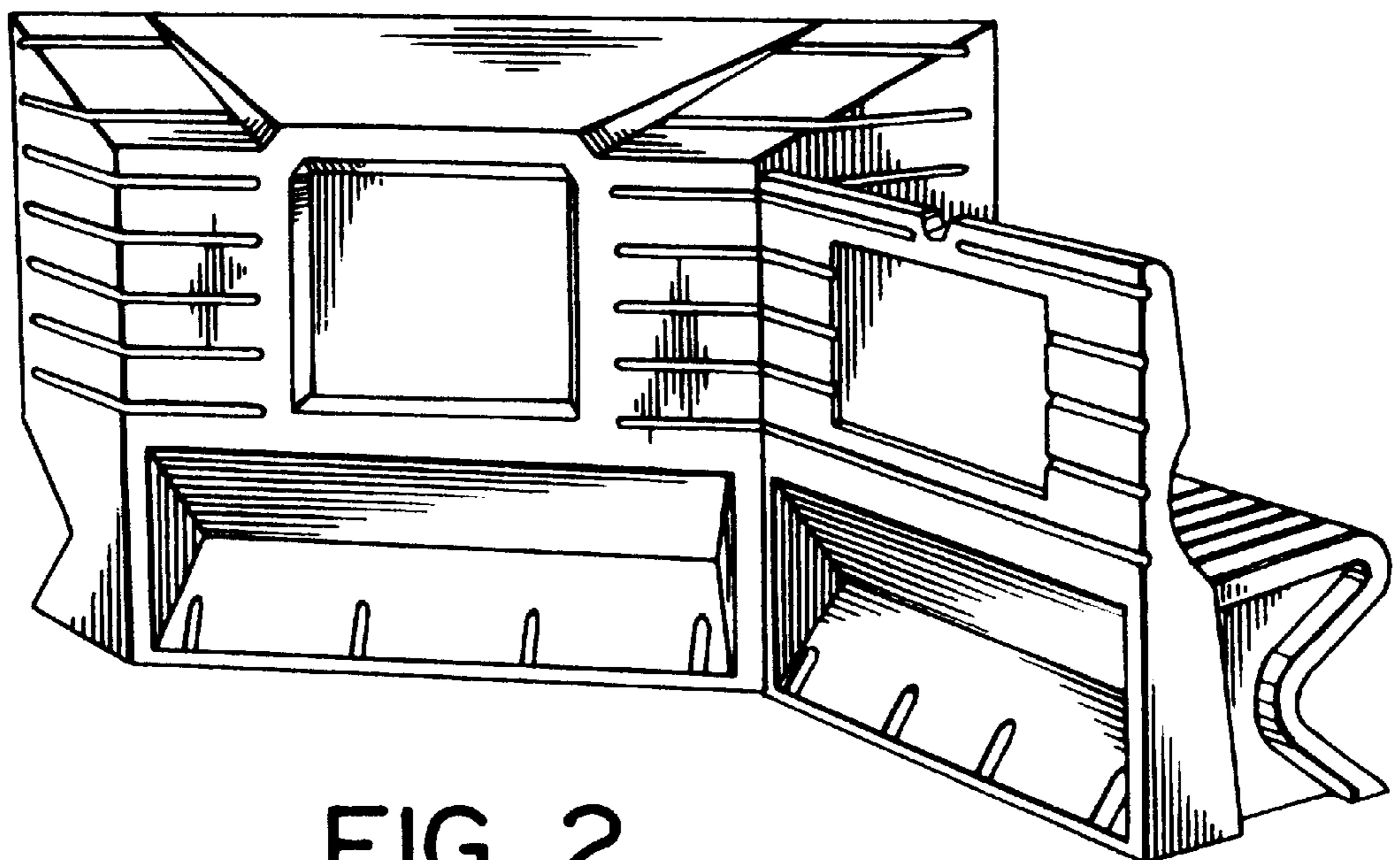


FIG. 2

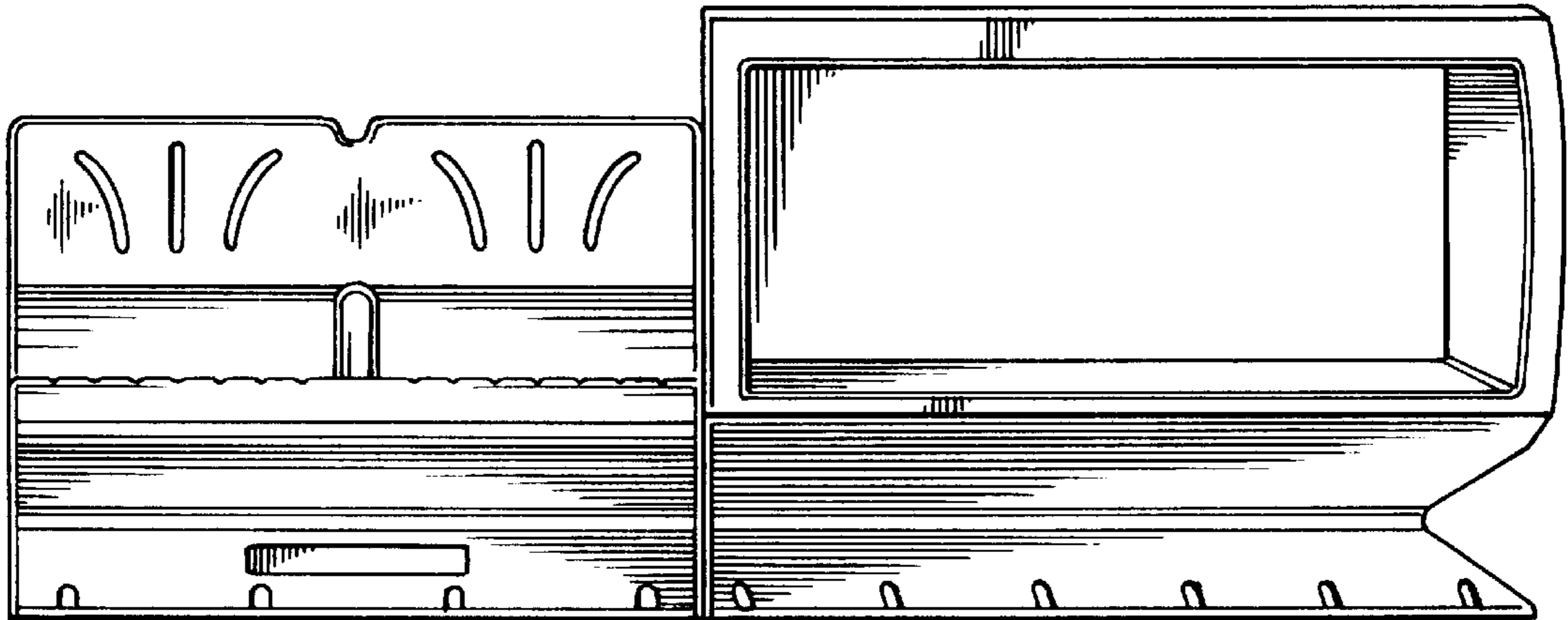


FIG. 3

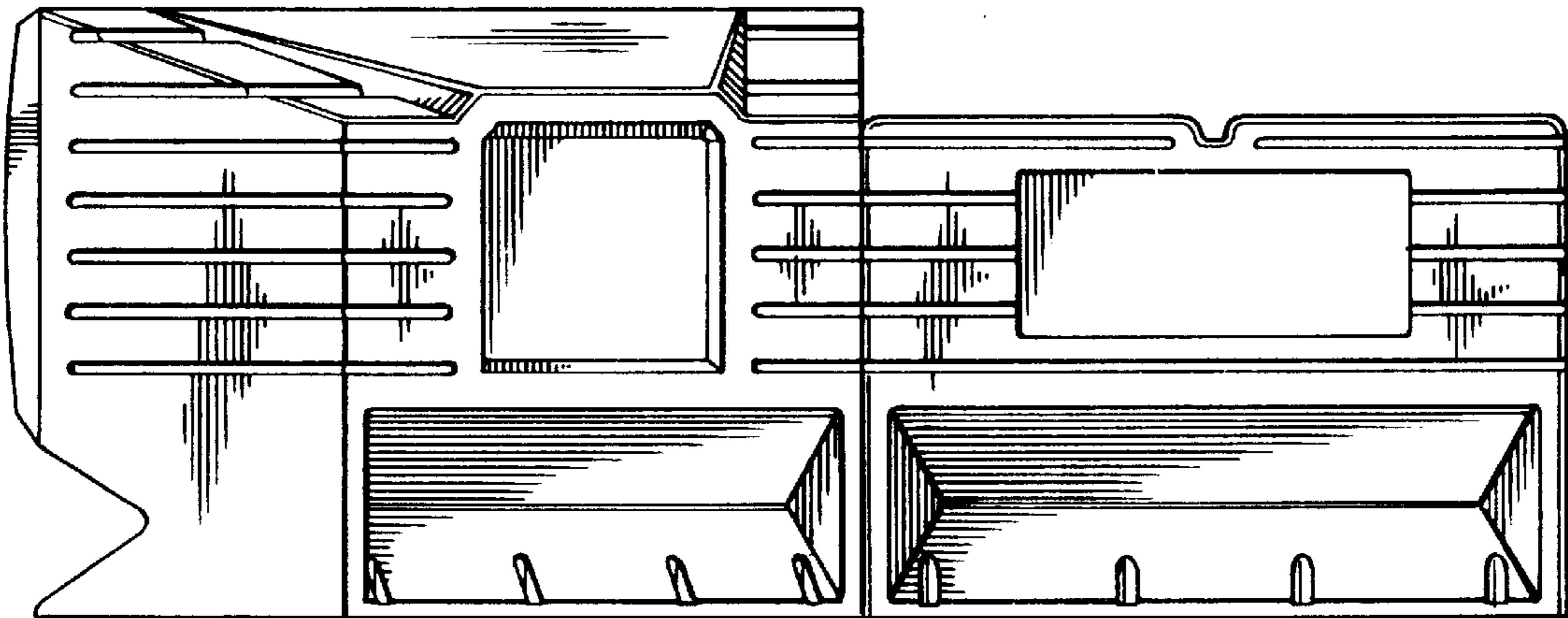


FIG. 4

FIG. 5

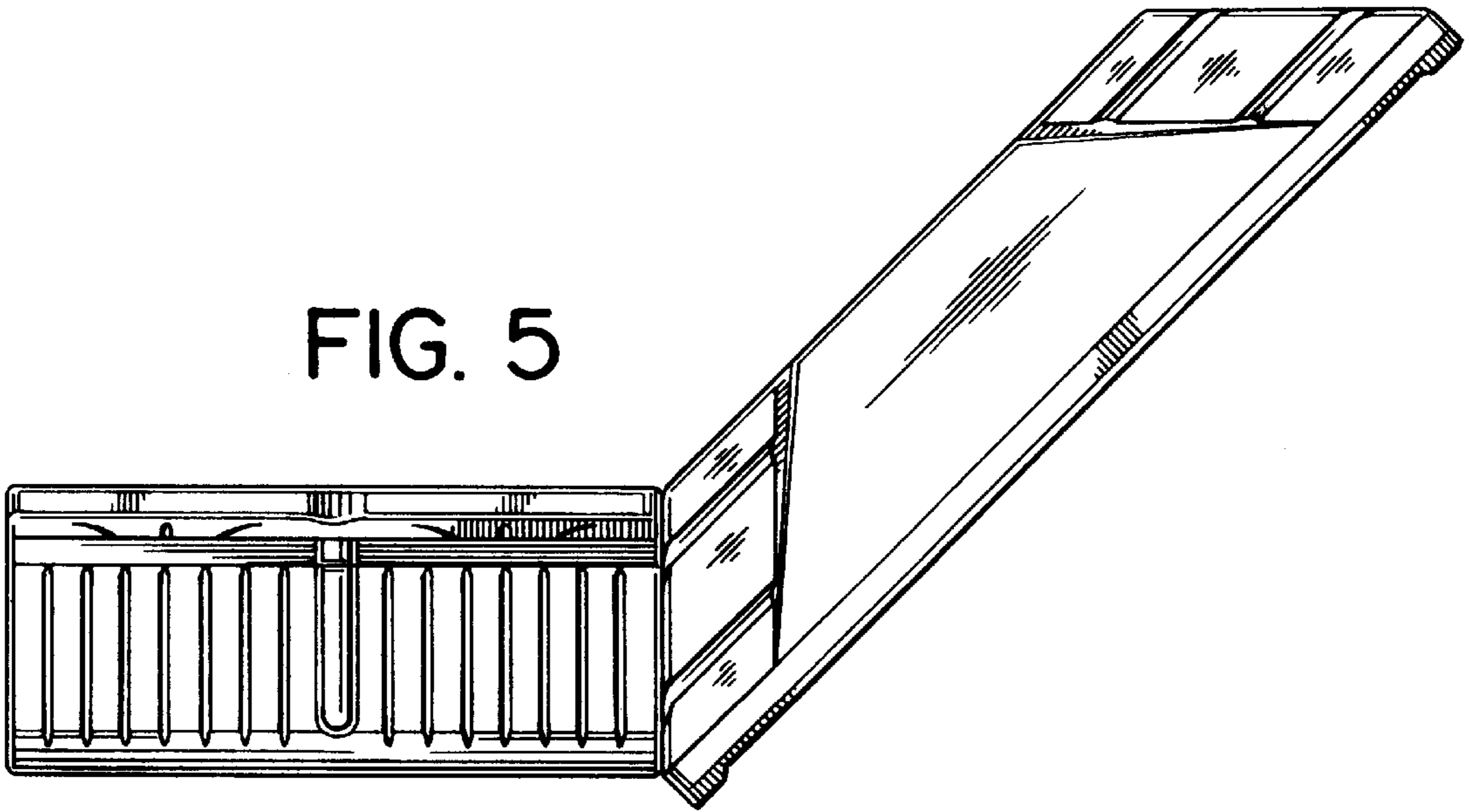
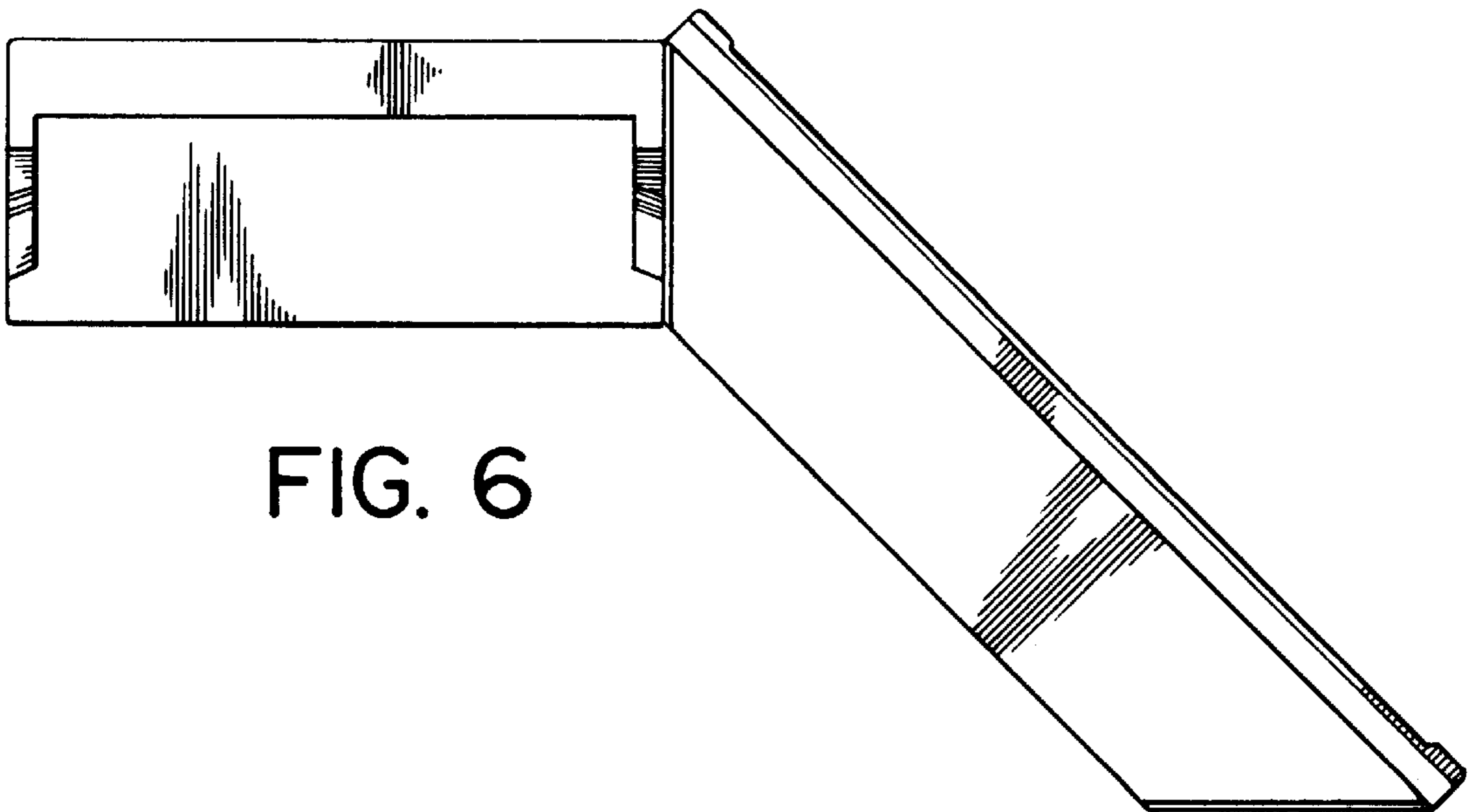


FIG. 6



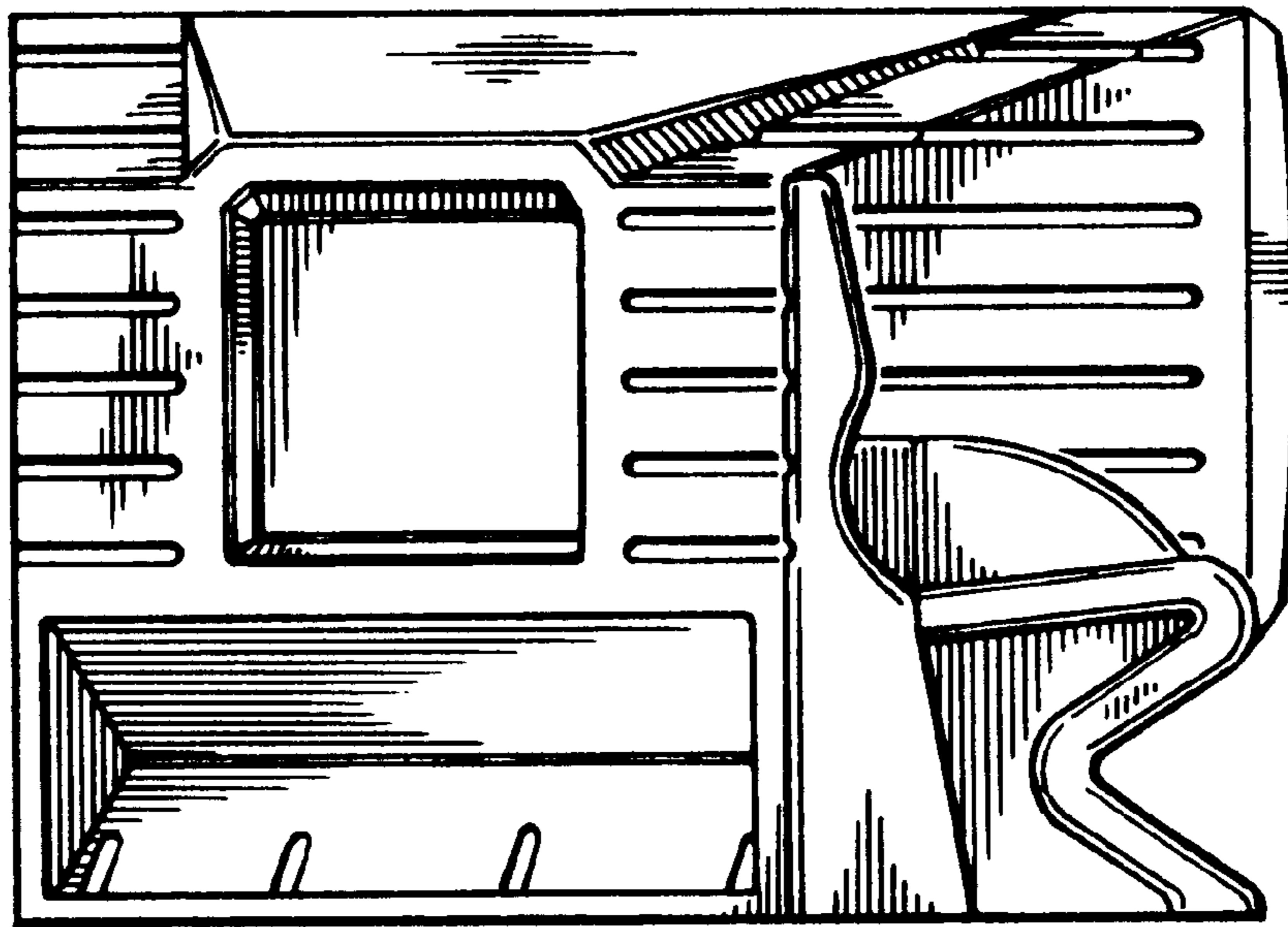


FIG. 7

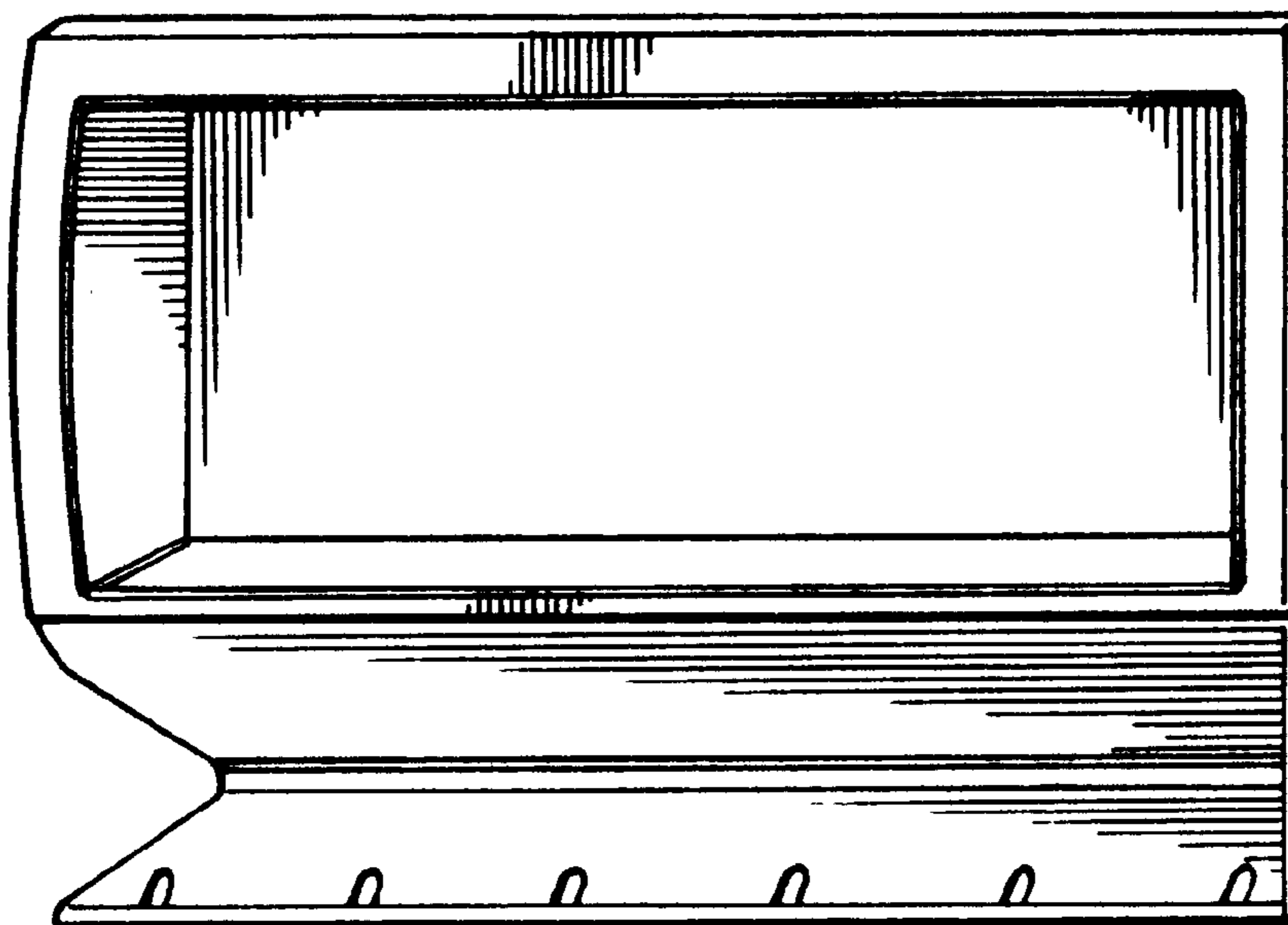


FIG. 8