



US00D418309S

# United States Patent [19]

[11] Patent Number: **Des. 418,309**

**Kuebel et al.**

[45] Date of Patent: **\*\* Jan. 4, 2000**

[54] **PICTURE FRAME**

D. 266,338	9/1982	Mandel	.....	D20/43
D. 306,659	3/1990	Mercandante	.....	D6/300
D. 346,067	4/1994	Bell et al.	.....	D6/300

[76] Inventors: **John Kuebel**, 6658 Promway Ave. NE., North Canton, Ohio 44720; **Gary N. Jones**, 448 Carver St. NW., Mallillon, Ohio 44647; **Kenneth Mahaffey**, 8975 Keeterview St. SW., Navarre, Ohio 44662

*Primary Examiner*—Janice E. Seeger  
*Attorney, Agent, or Firm*—Oldham & Oldham Co., L.P.A.

[\*\*] Term: **14 Years**

### [57] CLAIM

The ornamental design for a picture frame, as shown and described.

[21] Appl. No.: **29/091,591**

### DESCRIPTION

[22] Filed: **Aug. 3, 1998**

FIG. 1 is a front elevational view of a picture frame, showing our new design;

[51] **LOC (7) Cl.** ..... **06-07**

FIG. 2 is a top plan view, the bottom being a mirror image thereof;

[52] **U.S. Cl.** ..... **D6/301**

[58] **Field of Search** ..... D6/300-303, 310-312, D6/314; 40/626, 661, 700, 711, 714, 722, 729, 735, 745, 765, 771, 772, 775, 780, 790, 798, 799, 800

FIG. 3 is a side elevational view, the opposite side being a mirror image thereof;

FIG. 4 is a rear elevational view;

FIG. 5 is a cross-sectional view taken from line 5—5 in FIG. 1.

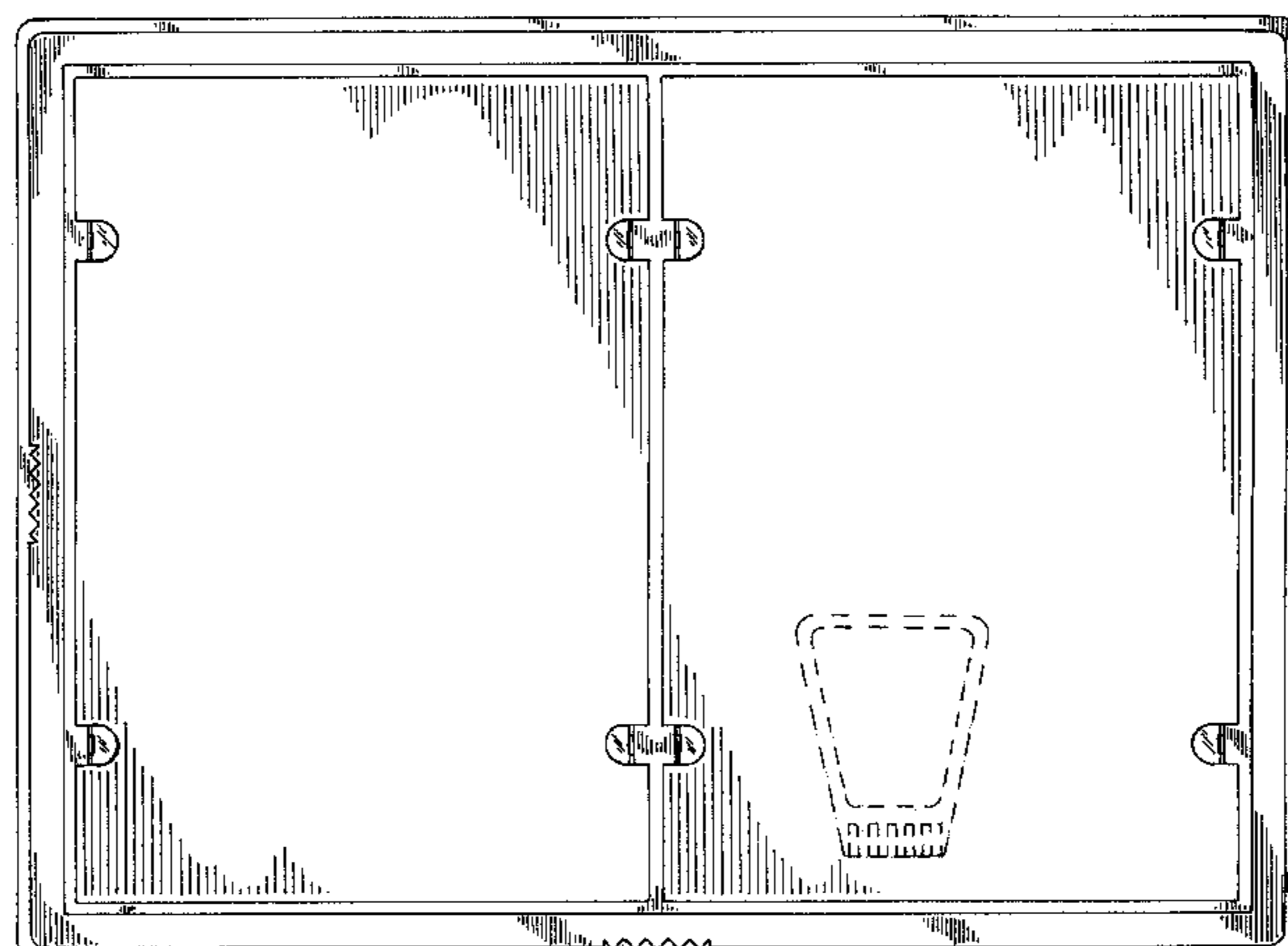
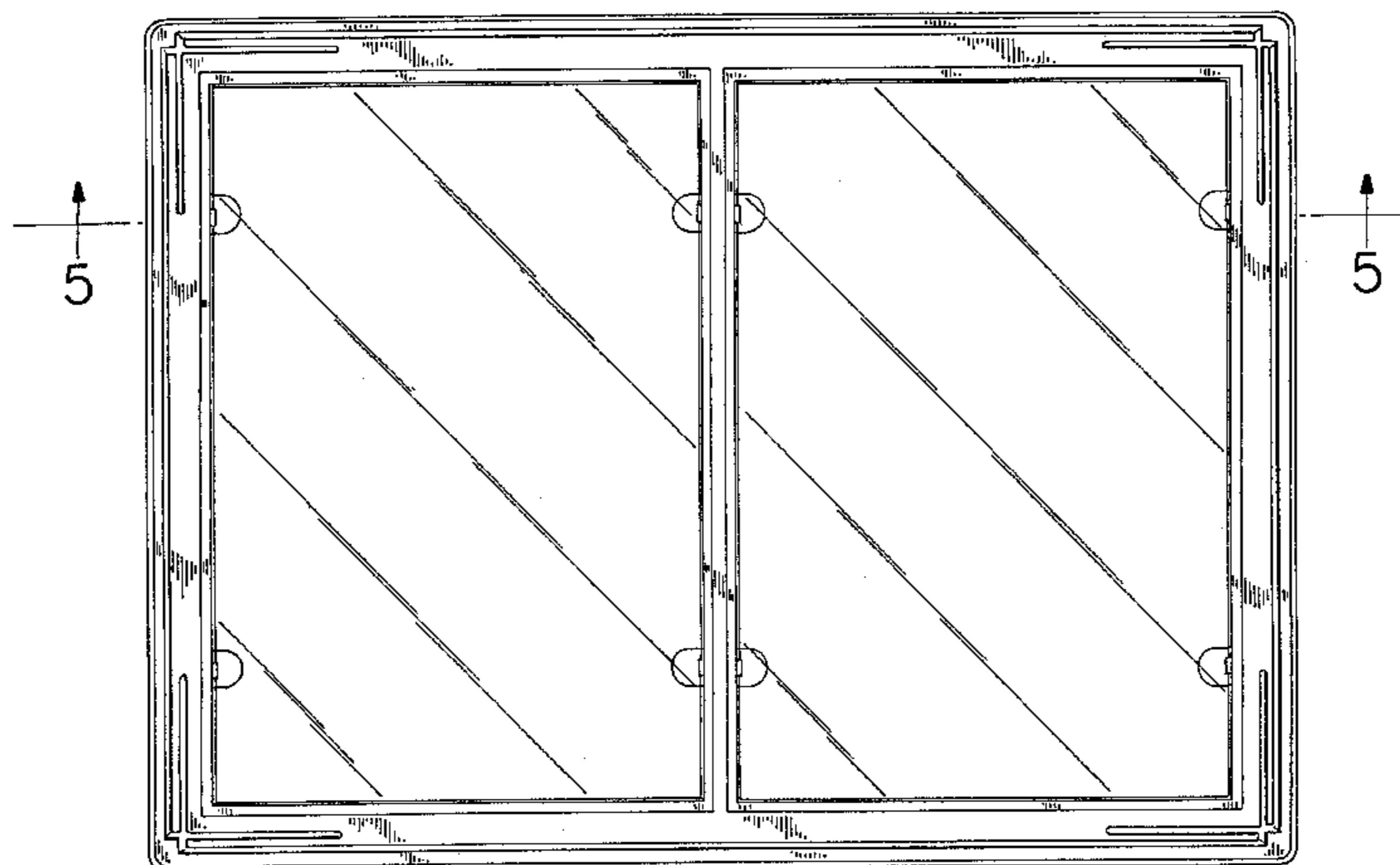
### [56] References Cited

The broken lines are for environmental purposes only and form no part of the claimed design.

#### U.S. PATENT DOCUMENTS

D. 82,601 11/1930 Brownell ..... D6/301

**1 Claim, 2 Drawing Sheets**



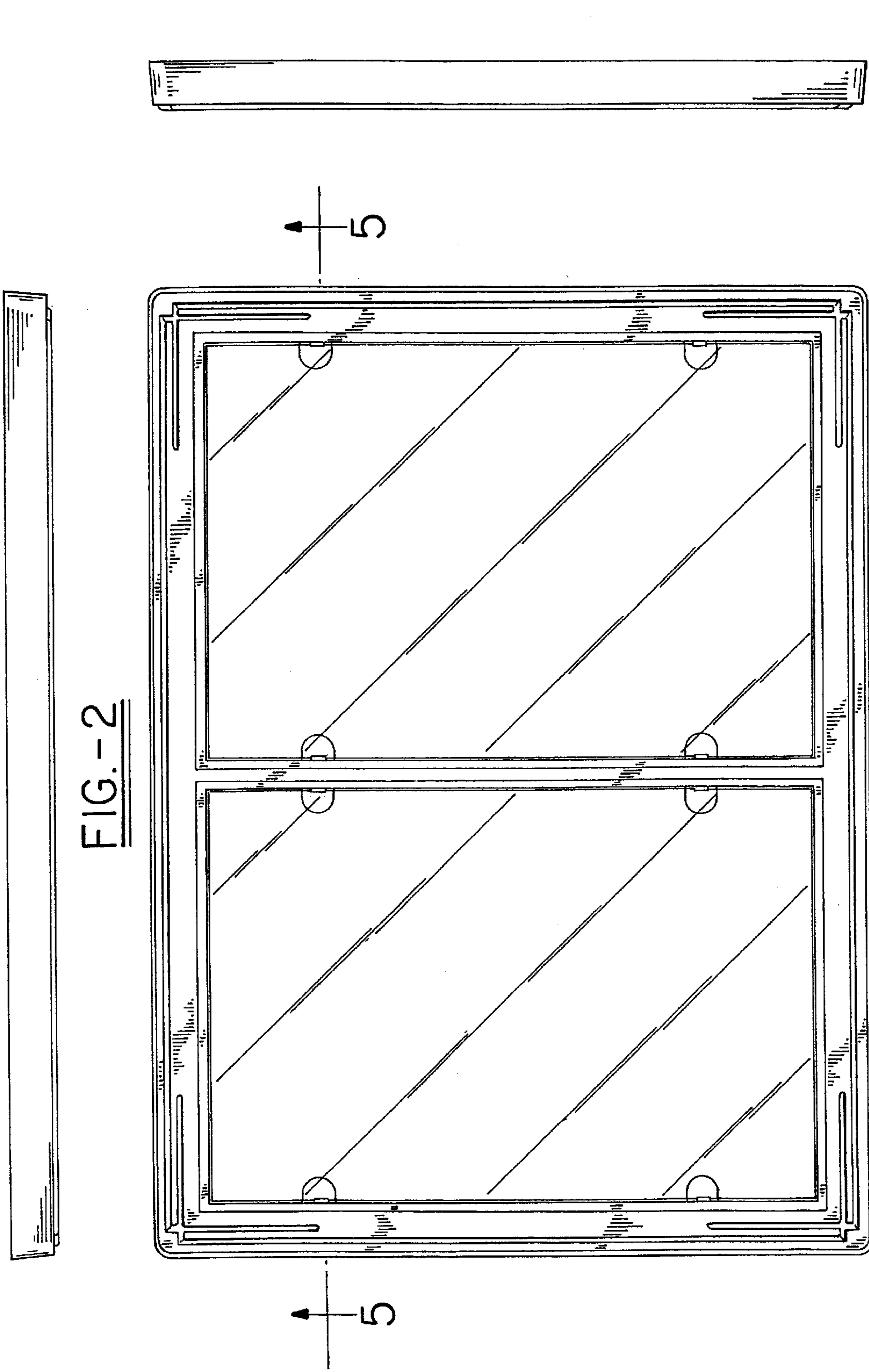


FIG.-2

FIG.-1

FIG.-3

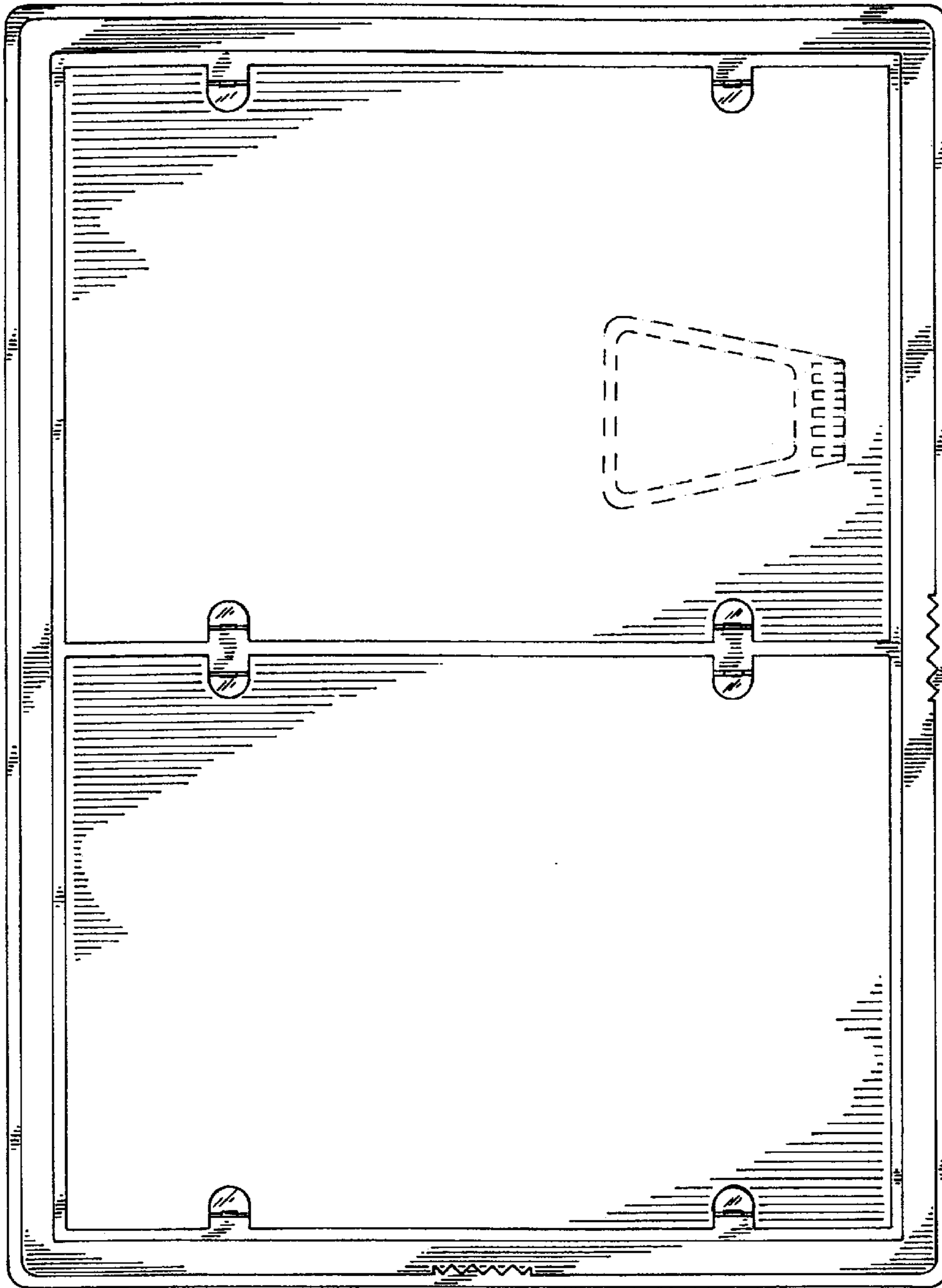


FIG. -4

FIG. -5

