



US00D418298S

**United States Patent** [19]  
**Wolf**

[11] **Patent Number: Des. 418,298**  
[45] **Date of Patent: \*\* Jan. 4, 2000**

[54] **OVAL JEWELRY BOX**  
[76] Inventor: **Simon Wolf**, 23440 Moon Shadows  
Dr., Malibu, Calif. 90265  
[\*\*] Term: **14 Years**  
[21] Appl. No.: **29/099,606**  
[22] Filed: **Jan. 25, 1999**  
[51] **LOC (7) Cl. .... 03-01**  
[52] **U.S. Cl. .... D3/297; D3/275; D3/901;**  
**D3/903**  
[58] **Field of Search .... D3/272, 273, 274,**  
**D3/275, 276, 281, 282, 291, 294, 295,**  
**296, 297, 901, 903; 312/201, 324, 300,**  
**226; 190/109, 111, 113, 115; 206/581**

4,239,308 12/1980 Bradley ..... 312/201  
4,405,057 9/1983 Stein ..... 220/346  
4,643,494 2/1987 Marleau ..... 312/111  
4,710,853 12/1987 Reinhardt ..... 361/391  
5,082,115 1/1992 Hutcheson ..... 206/545  
5,207,329 5/1993 Hwang ..... 206/555  
5,247,744 9/1993 Ferris et al. .... 40/152  
5,261,529 11/1993 Holland ..... 206/6.1  
5,271,515 12/1993 Berkheimer et al. .... 220/4.27  
5,277,307 1/1994 Kelly ..... 206/45.14  
5,383,552 1/1995 Dikowitz ..... 206/6.1  
5,469,961 11/1995 Chang ..... 206/312  
5,603,558 2/1997 Zimmer ..... 312/290  
5,782,372 7/1998 Weiss ..... 220/8

*Primary Examiner*—Philip S. Hyder  
*Attorney, Agent, or Firm*—Cislo & Thomas LLP

[56] **References Cited**  
**U.S. PATENT DOCUMENTS**

|            |         |               |       |         |
|------------|---------|---------------|-------|---------|
| D. 209,438 | 11/1967 | Rothman       | ..... | D3/296  |
| D. 261,825 | 11/1981 | Benson et al. | ..... | D3/275  |
| D. 267,153 | 12/1982 | Lebowitz      | ..... | D3/297  |
| D. 325,123 | 4/1992  | Tiramani      | ..... | D3/275  |
| D. 328,817 | 8/1992  | Holland       | ..... | D3/903  |
| D. 341,715 | 11/1993 | Ancona et al. | ..... | D3/275  |
| D. 358,708 | 5/1995  | Ko            | ..... | D3/275  |
| D. 361,430 | 8/1995  | Mohundro      | ..... | D3/297  |
| 3,219,400  | 11/1965 | Berquist      | ..... | 312/107 |
| 3,392,868  | 7/1968  | Pfrommer      | ..... | 312/201 |
| 3,939,982  | 2/1976  | Russell       | ..... | 206/509 |
| 3,999,818  | 12/1976 | Schankler     | ..... | 312/111 |
| 4,084,865  | 4/1978  | Joyce         | ..... | 312/111 |
| 4,111,328  | 9/1978  | Eggert et al. | ..... | 220/4 R |
| 4,203,525  | 5/1980  | Okubo         | ..... | 220/4 C |

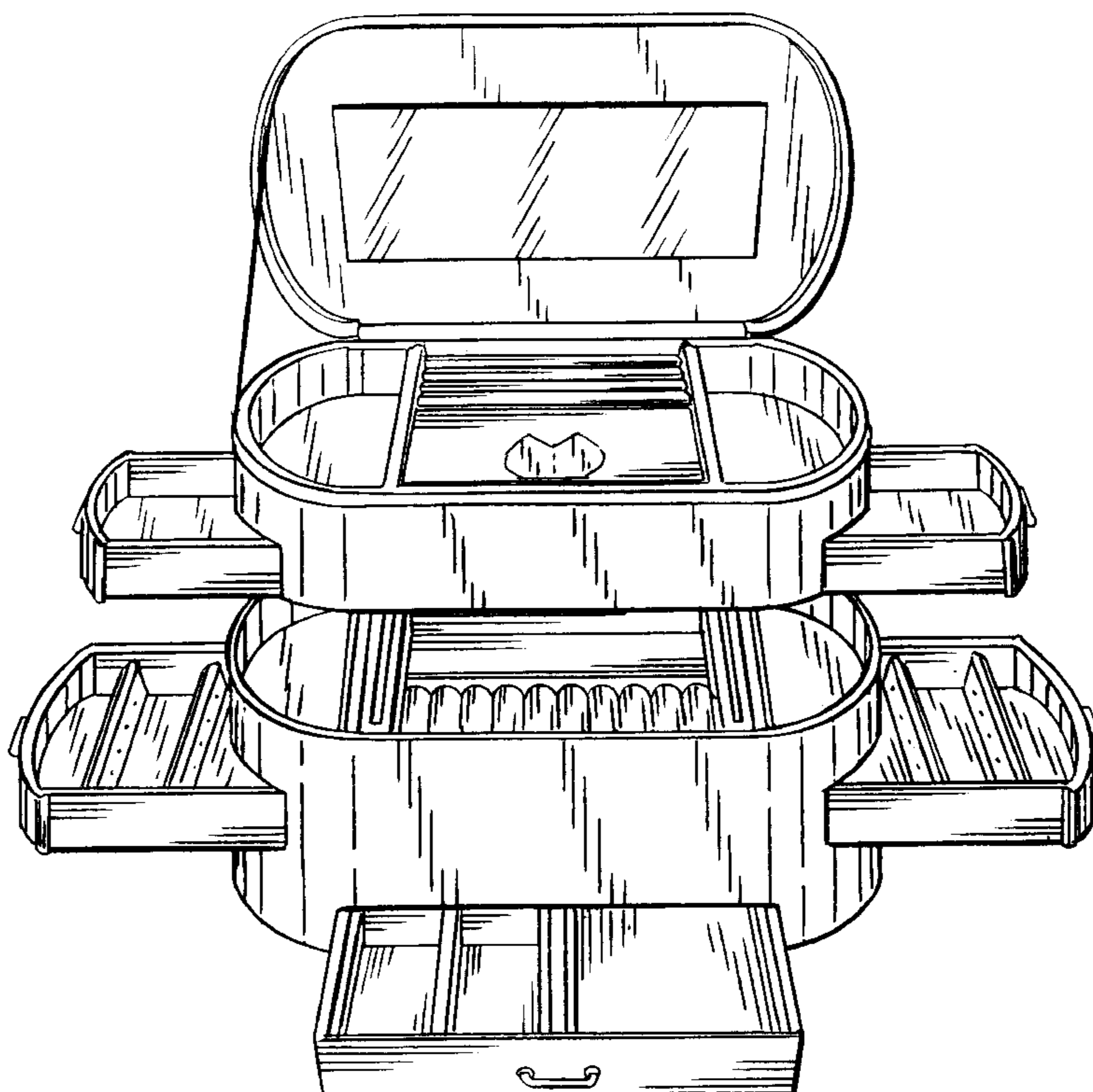
[57] **CLAIM**

The ornamental design for an oval jewelry box, as shown and described.

**DESCRIPTION**

FIG. 1. is a perspective view of my oval jewelry box being illustrated in the open position;  
FIG. 2. is a perspective view of my oval jewelry box being illustrated in the closed position;  
FIG. 3. is a front view thereof;  
FIG. 4. is a back view thereof;  
FIG. 5. is a right side elevational view thereof with the left side elevational view being a mirror image thereof;  
FIG. 6. is a top view thereof; and,  
FIG. 7. is a bottom view thereof.

**1 Claim, 4 Drawing Sheets**



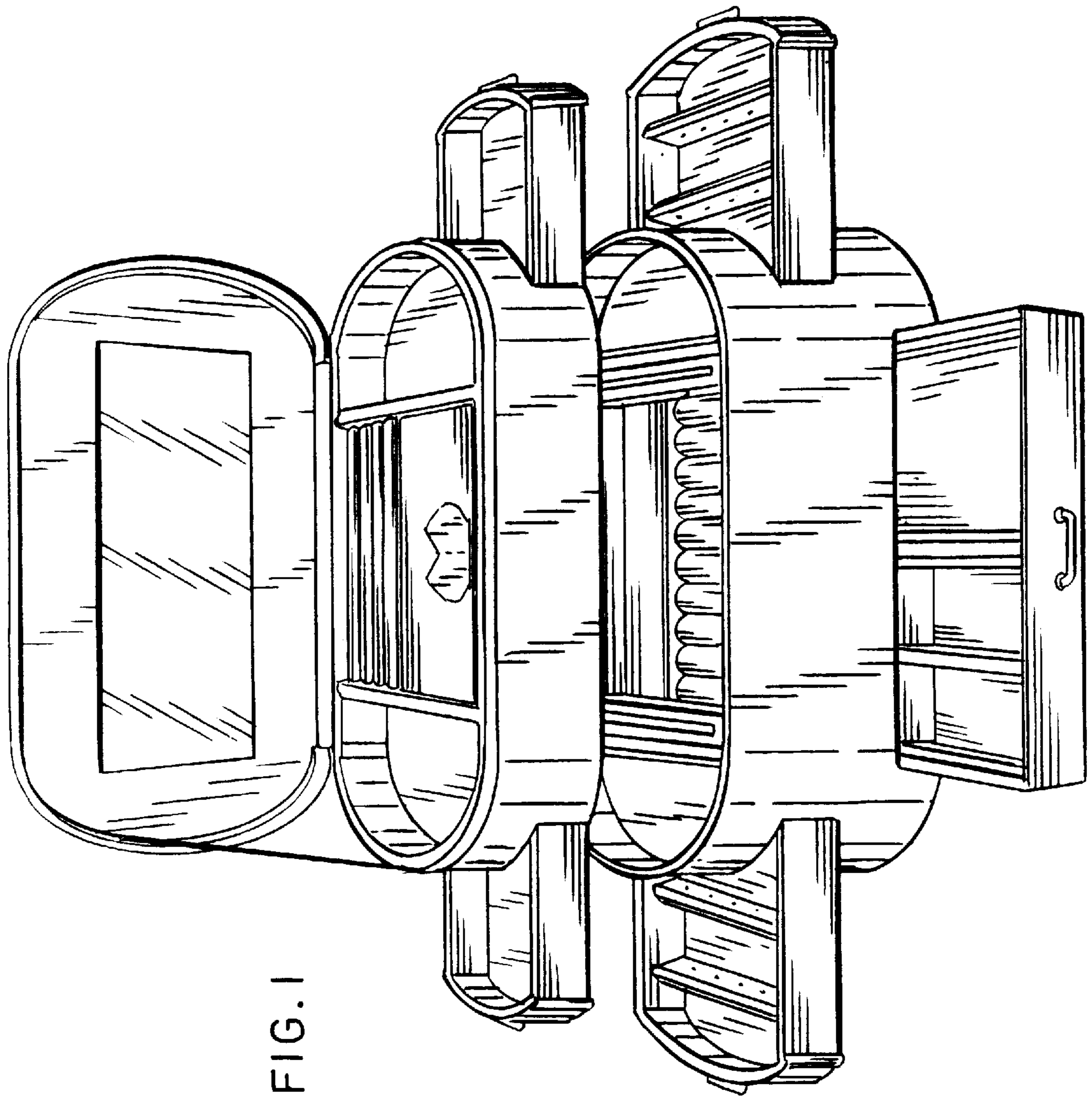


FIG. 1

FIG. 2

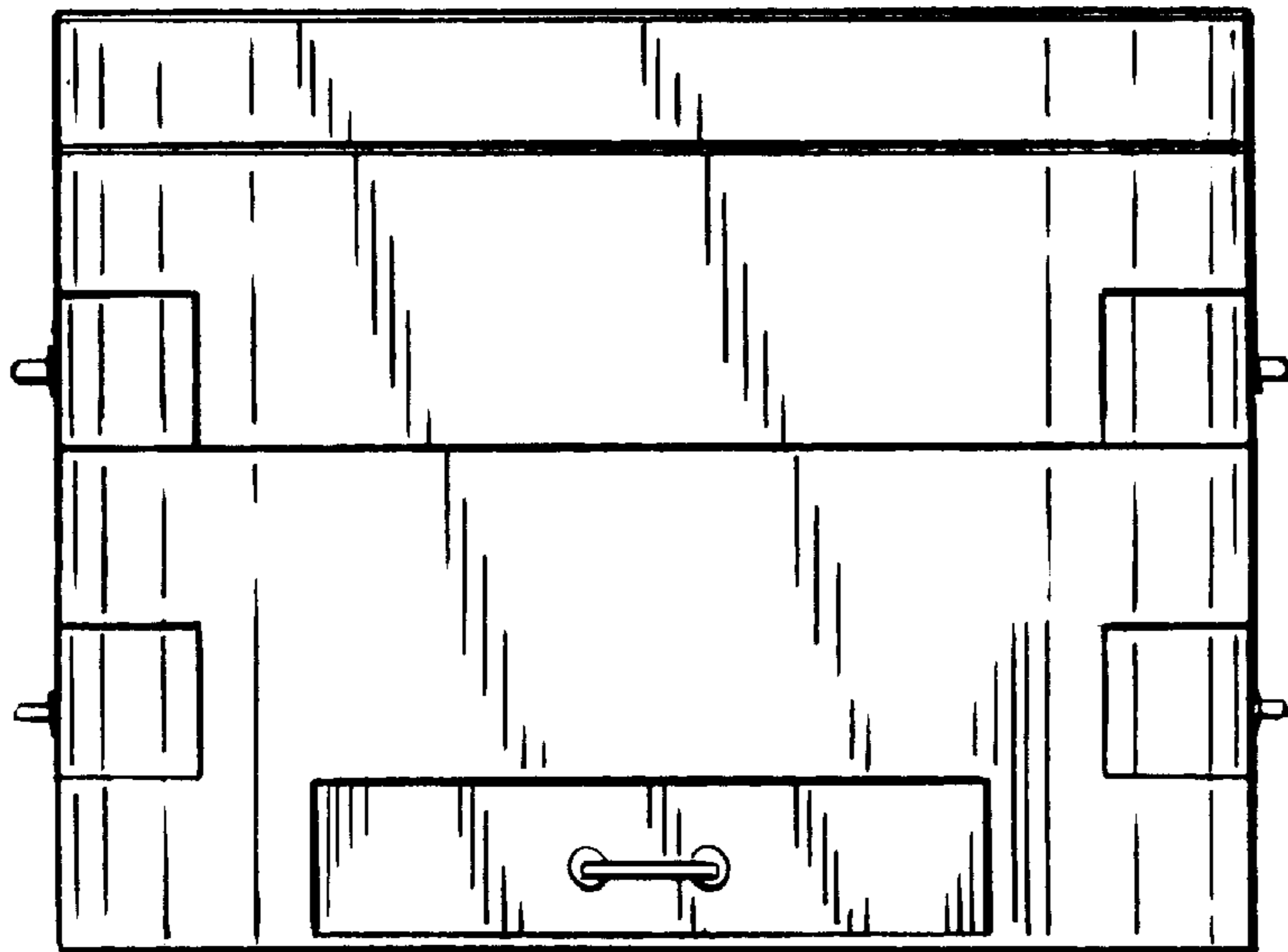
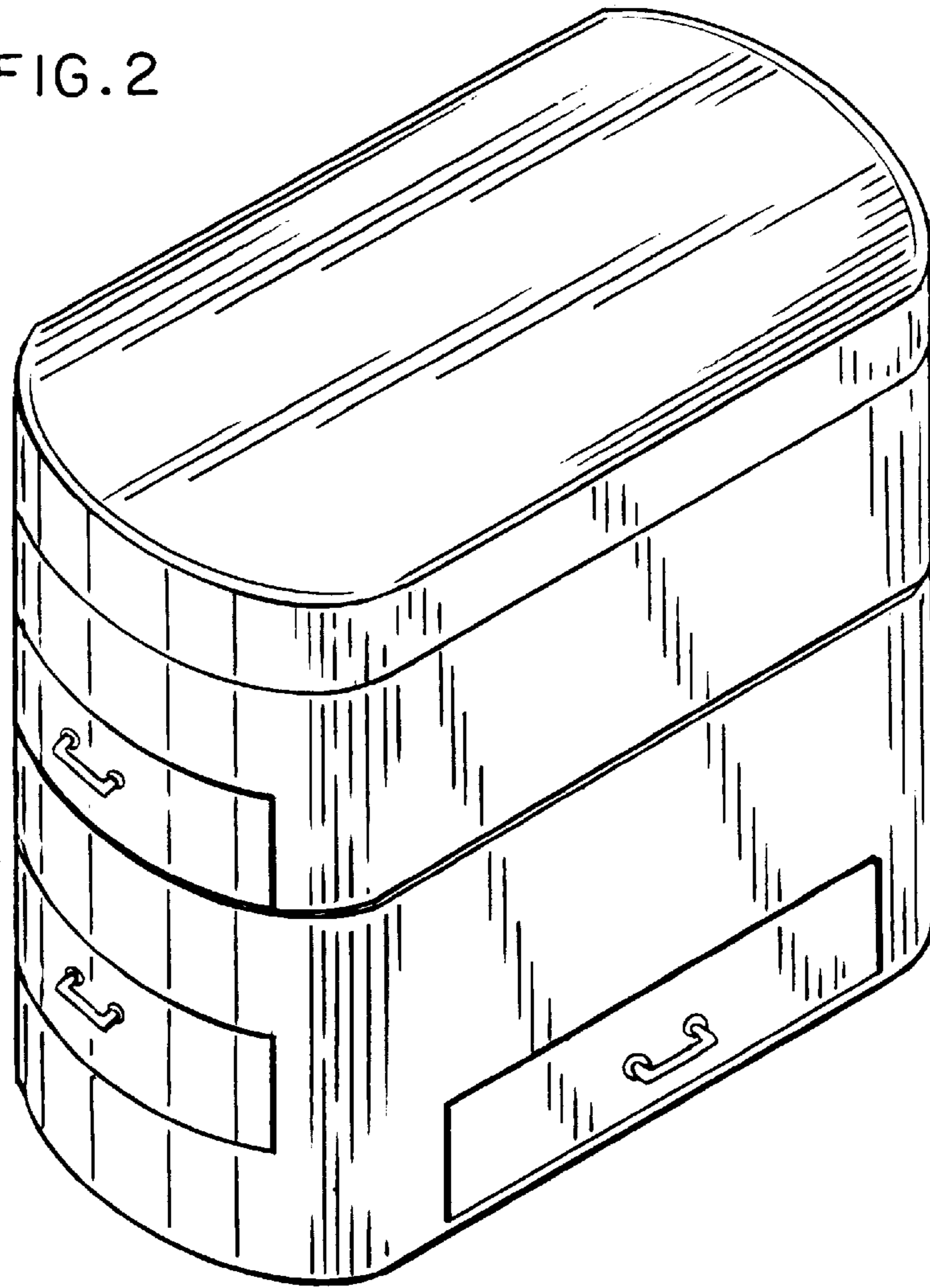


FIG. 3

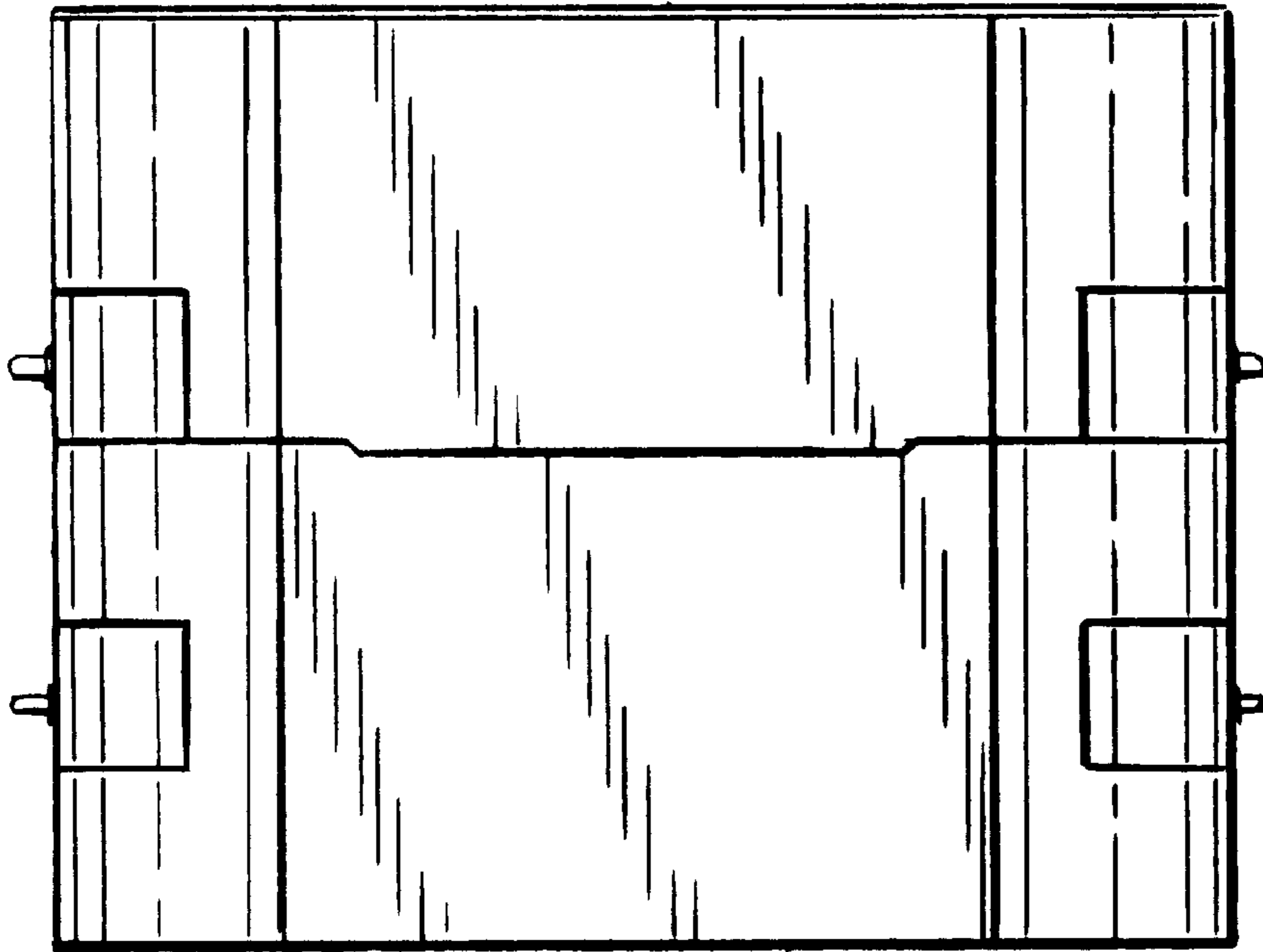


FIG. 4

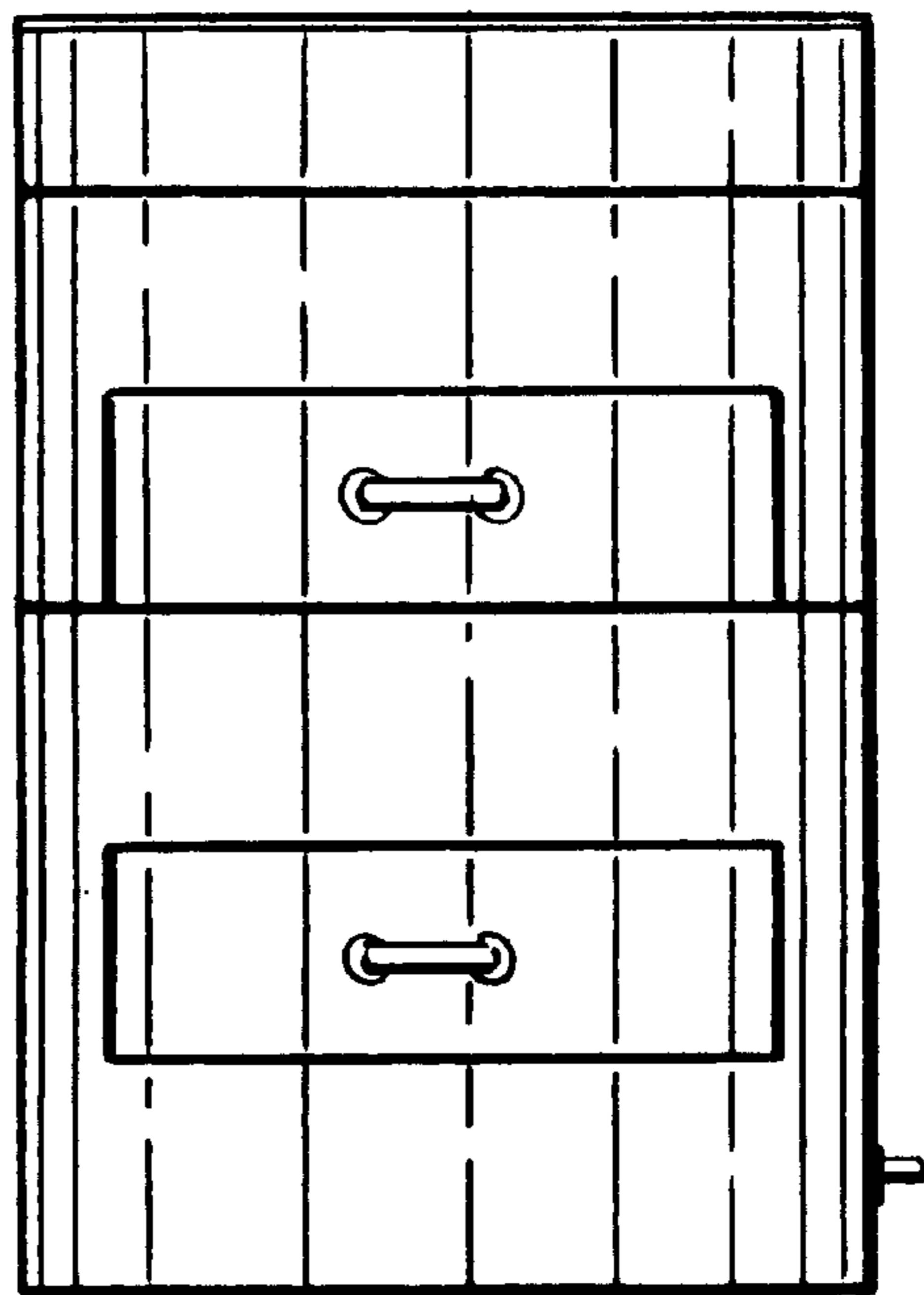


FIG. 5

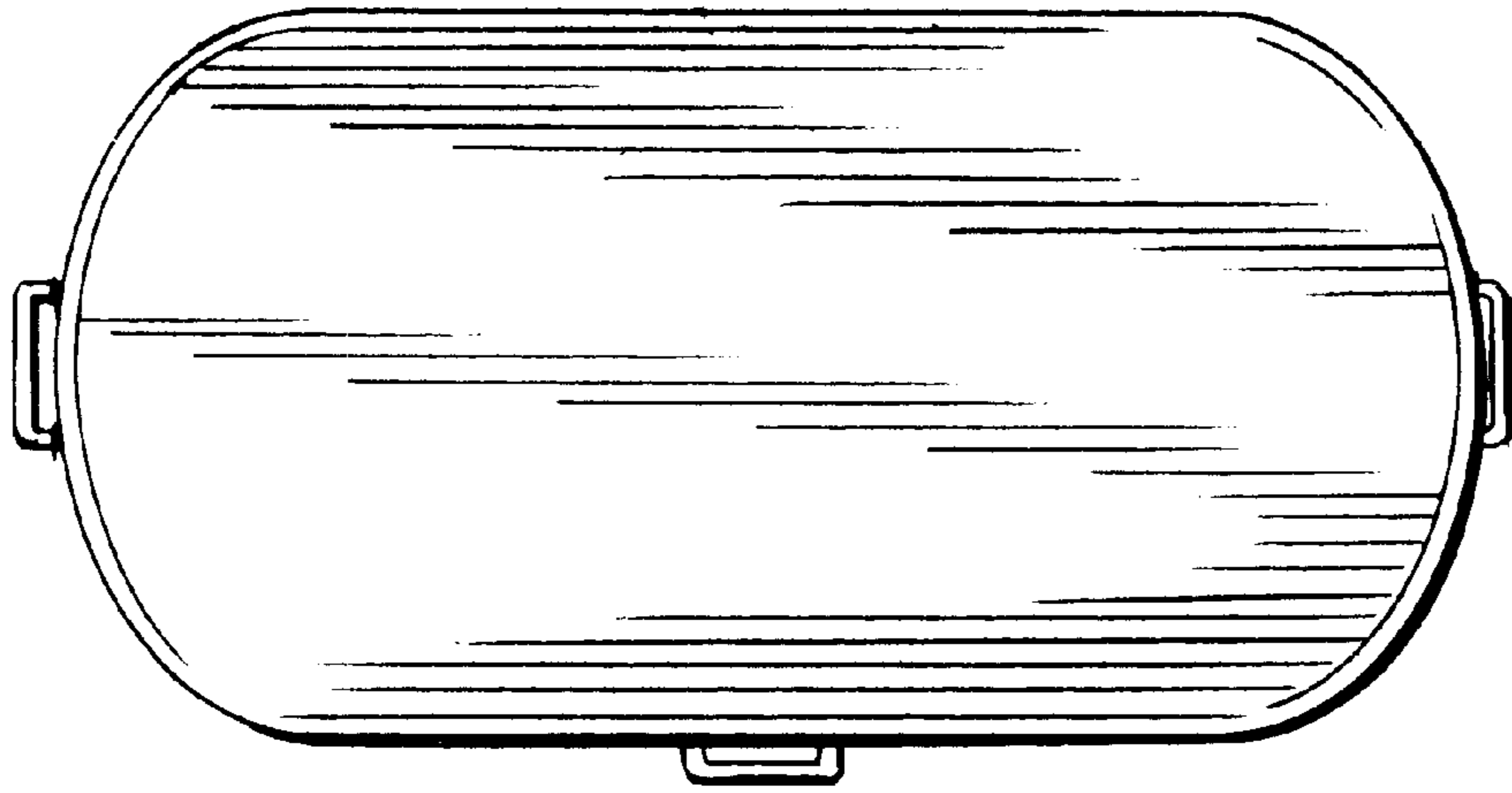


FIG. 6

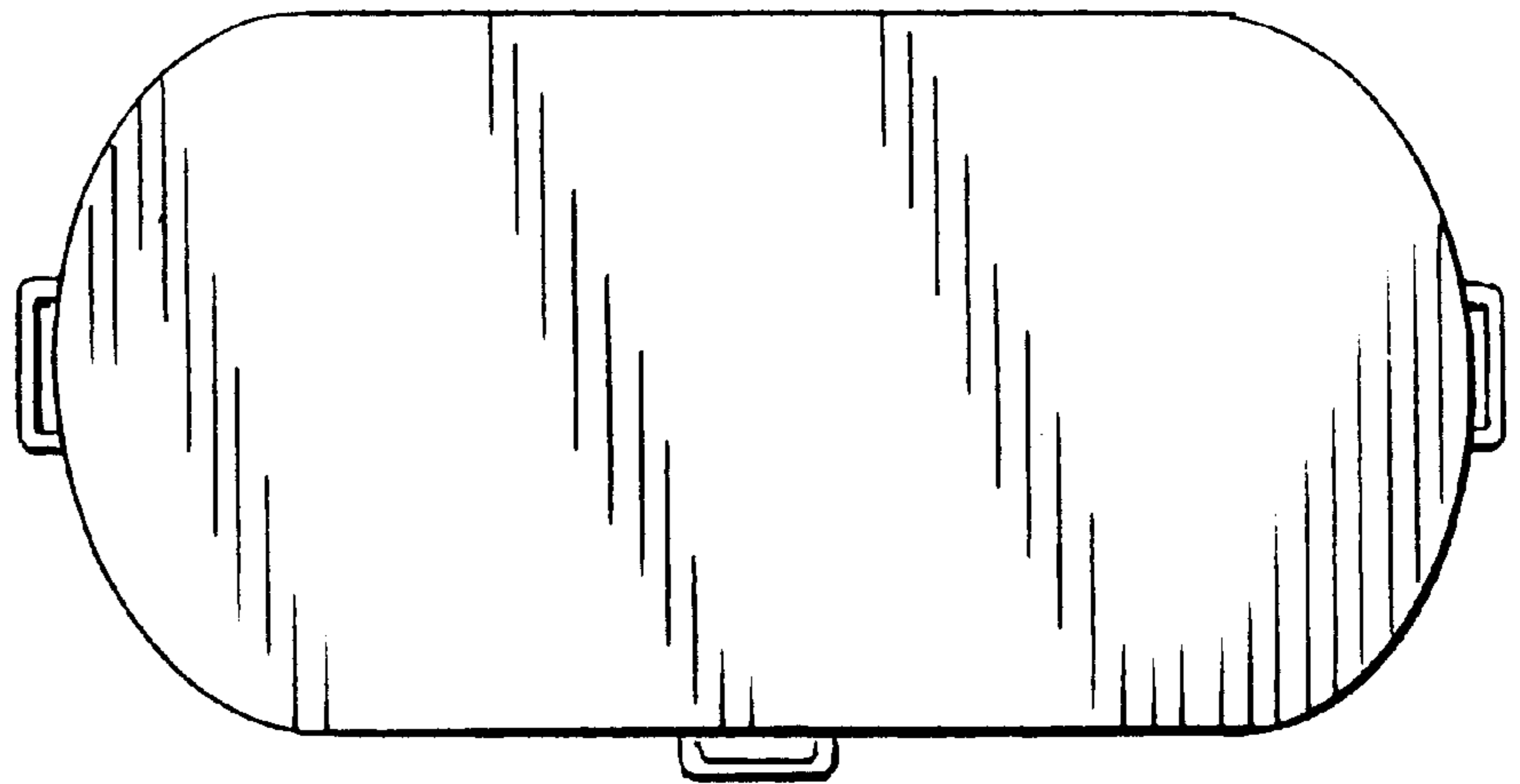


FIG. 7