



US00D418297S

United States Patent [19]

Budert

[11] **Patent Number: Des. 418,297**

[45] **Date of Patent: ** Jan. 4, 2000**

[54] **TOOL BOX**

[75] Inventor: **Guenter H. Budert**, Bachhagel, Germany

[73] Assignee: **Drilbox Georg Knoblauch GmbH**, Giengen, Germany

[**] Term: **14 Years**

[21] Appl. No.: **29/094,139**

[22] Filed: **Sep. 25, 1998**

[30] Foreign Application Priority Data

Mar. 25, 1998 [DE] Germany 98 02 977

[51] **LOC (7) Cl.** **03-01**

[52] **U.S. Cl.** **D3/295; D3/294; D3/286; D3/301**

[58] **Field of Search** D3/272, 273, 283, D3/294, 295, 905, 286; D9/420, 423, 424; 206/315.11, 349, 372, 373

[56] References Cited

U.S. PATENT DOCUMENTS

D. 275,833 10/1984 Malpass D3/284

D. 278,096	3/1985	Walker et al.	D3/295
D. 325,127	4/1992	Diaz	D3/284
D. 369,901	5/1996	Laube	D3/282
3,426,890	2/1969	Bayer	206/379
3,499,525	3/1970	Kanter	206/379
5,123,532	6/1992	Rau et al.	206/379

Primary Examiner—Philip S. Hyder
Attorney, Agent, or Firm—Fitch, Even, Tabin & Flannery

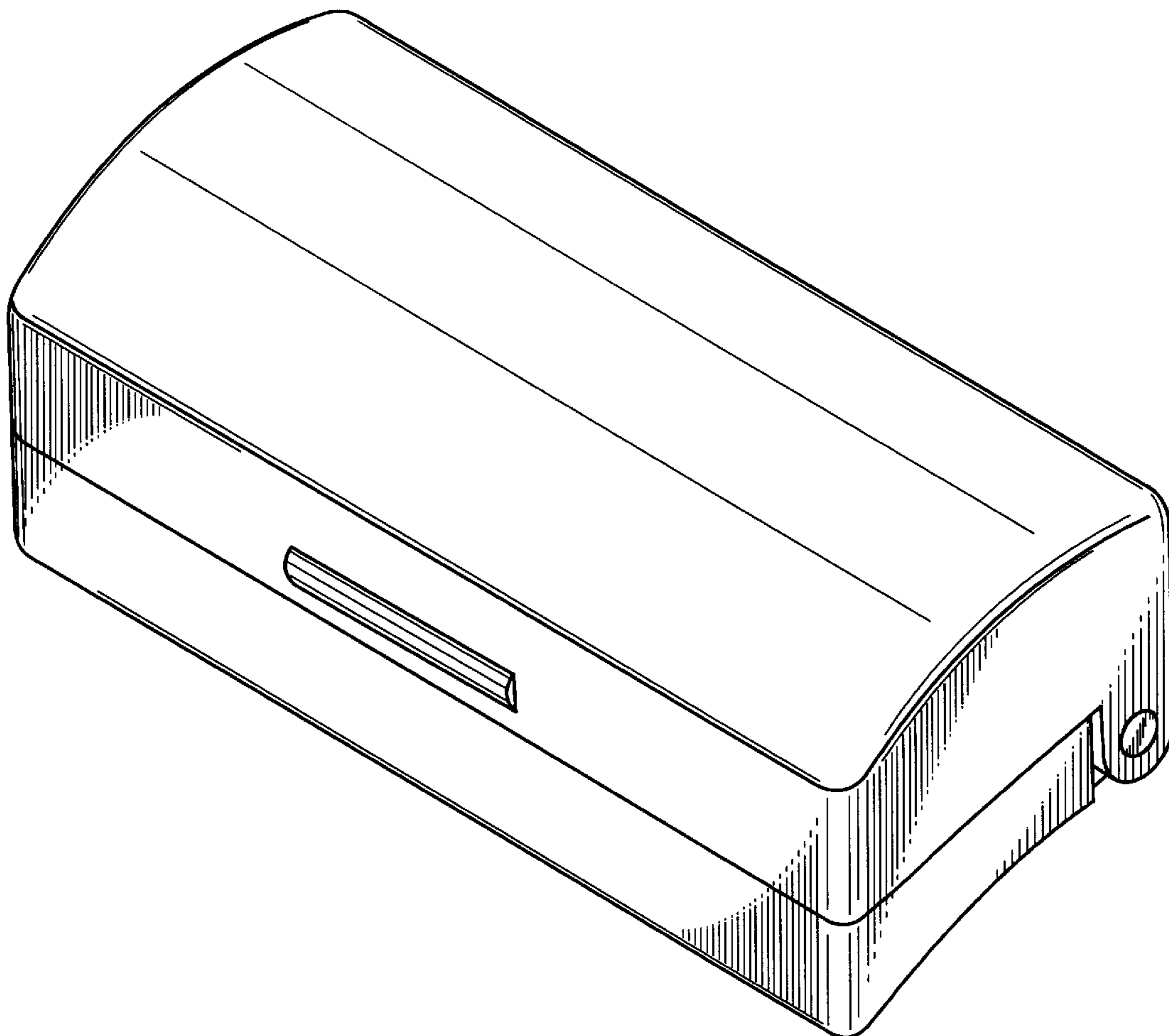
[57] CLAIM

The ornamental design for a tool box, as shown and described.

DESCRIPTION

FIG. 1 is a perspective view of a tool box showing a first embodiment of my design;
FIG. 2 is a perspective view of a tool box showing a second embodiment of my design;
FIG. 3 is a perspective view of a tool box showing a third embodiment of my design; and,
FIG. 4 is a perspective view showing the tool box with the cover in a raised position, said view being identical for all three embodiments.
The appearance of the unshown surfaces of the tool box form no part of the claimed design.

1 Claim, 4 Drawing Sheets



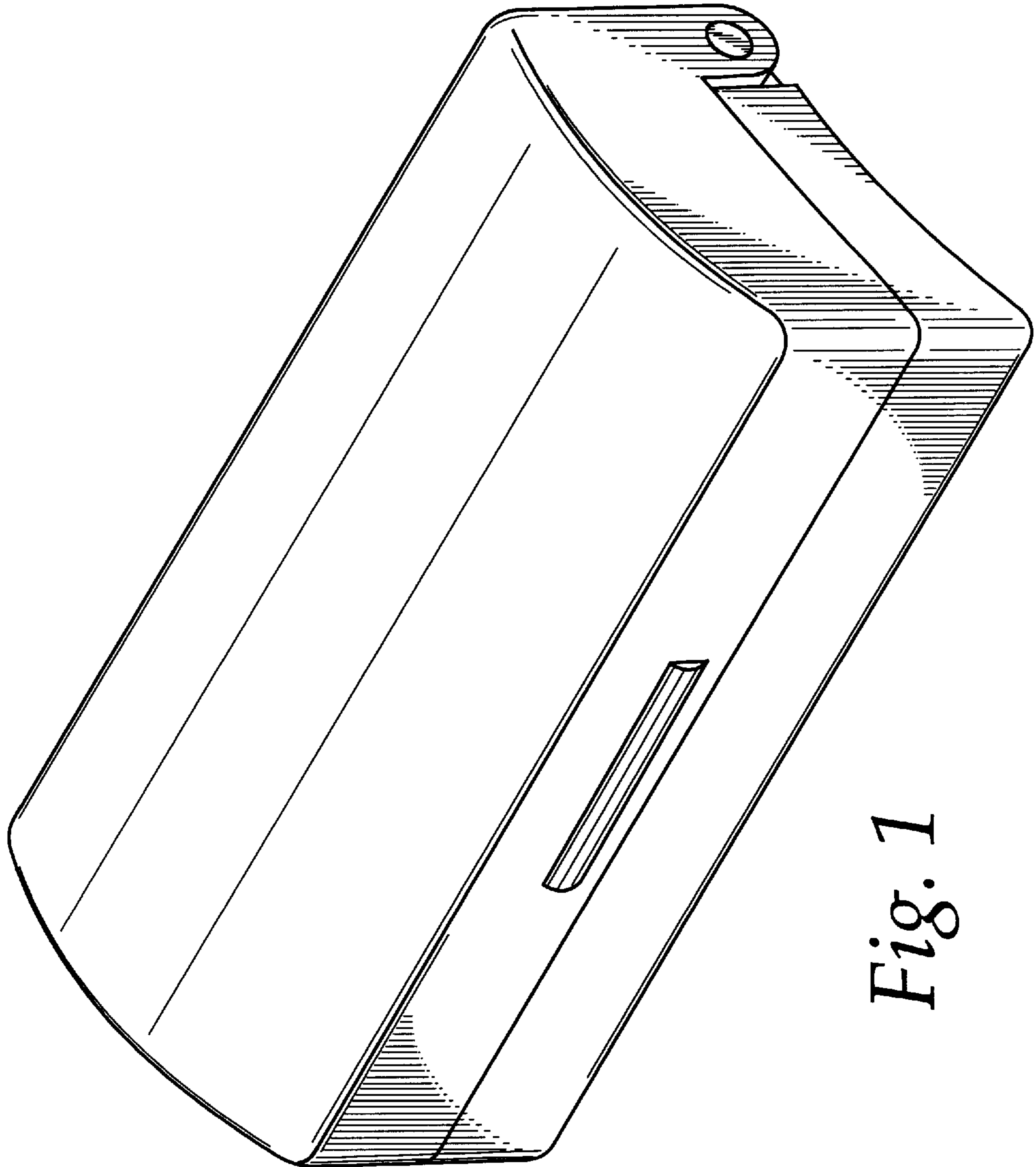


Fig. 1

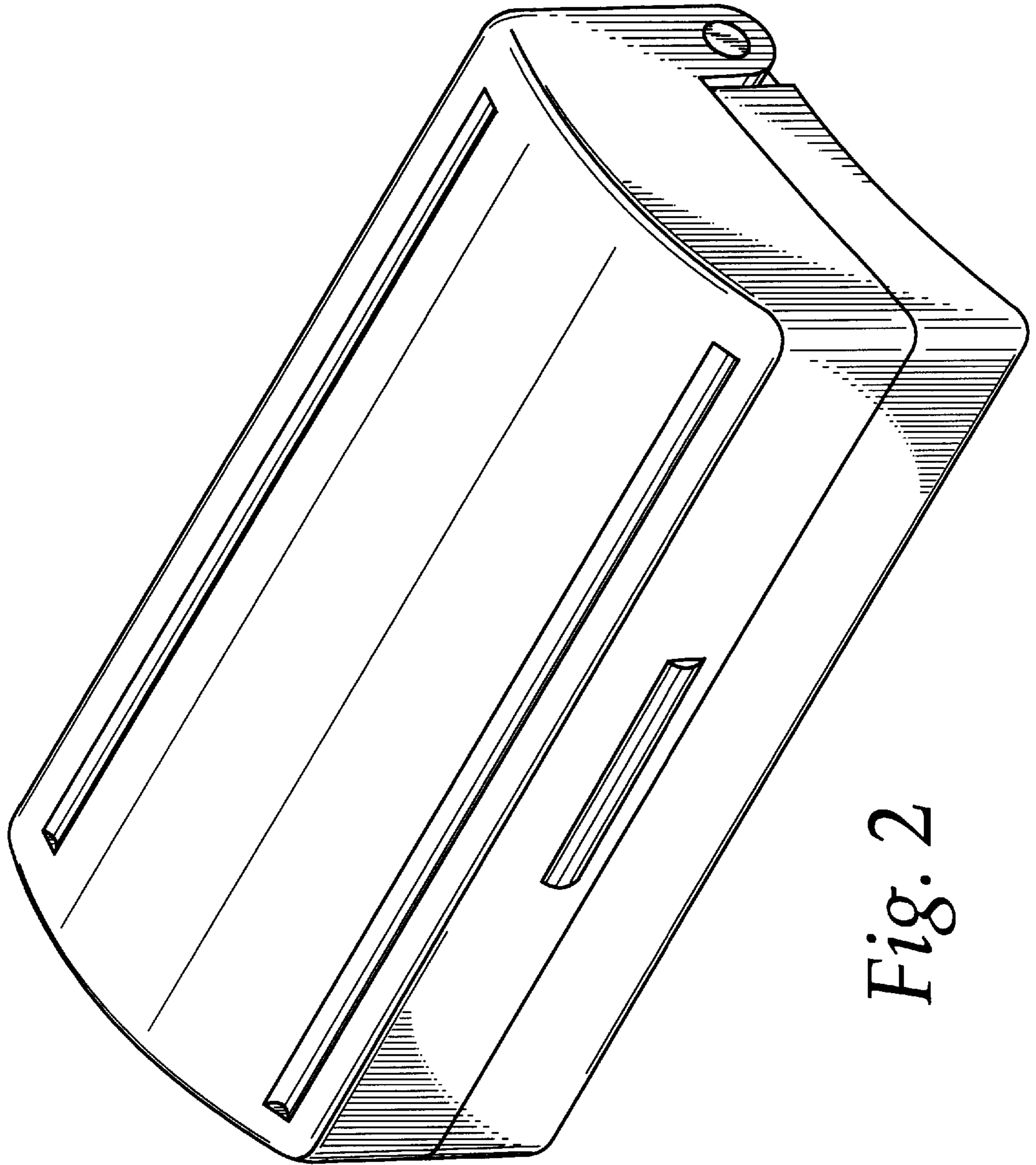


Fig. 2

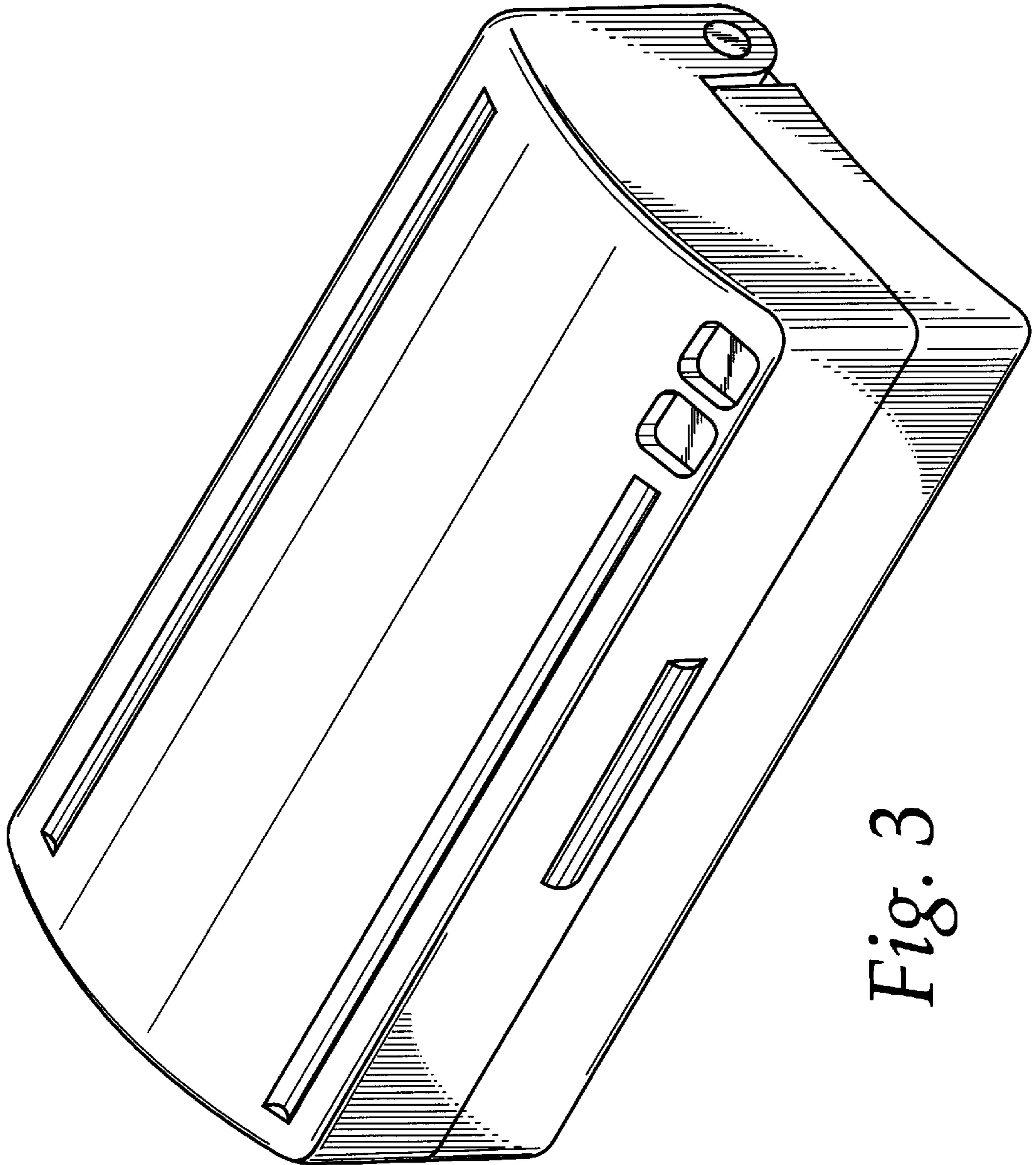


Fig. 3

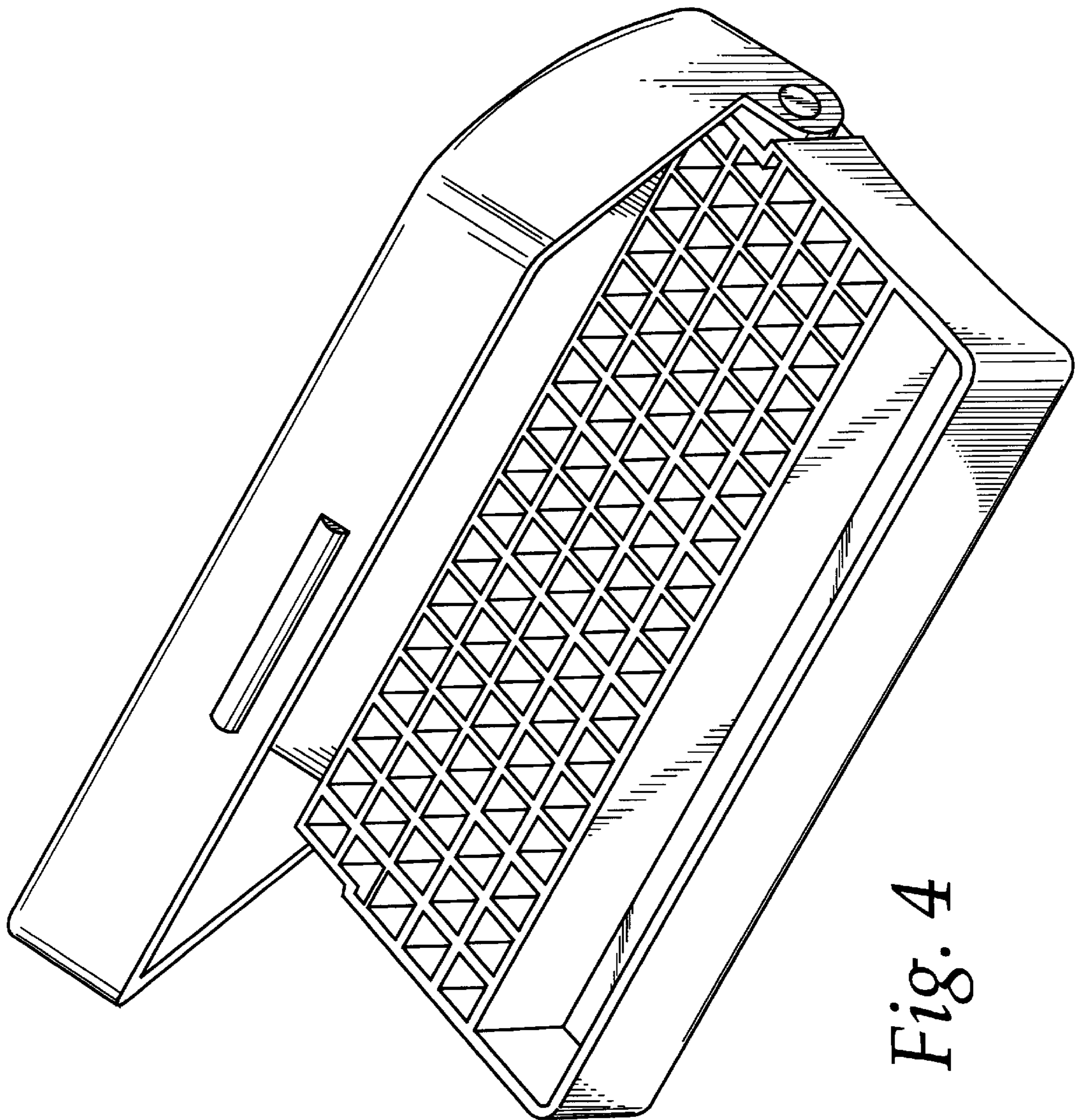


Fig. 4