



US00D418296S

United States Patent [19]
Kobayashi

[11] **Patent Number: Des. 418,296**
[45] **Date of Patent: ** Jan. 4, 2000**

[54] **BOX**

[75] Inventor: **Susumu Kobayashi**, Miyagi, Japan

[73] Assignee: **Iris Ohyama, Inc.**, Sendai, Japan

[**] Term: **14 Years**

[21] Appl. No.: **29/078,703**

[22] Filed: **Oct. 31, 1997**

[30] **Foreign Application Priority Data**

May 30, 1997 [JP] Japan 9-56296

[51] **LOC (7) Cl.** **03-01**

[52] **U.S. Cl.** **D3/291; D3/294; D3/276**

[58] **Field of Search** **D3/273, 276, 281, D3/282, 291, 294, 295, 905; 206/315.1, 349, 372, 373; 190/110, 111, 112**

[56] **References Cited**

U.S. PATENT DOCUMENTS

D. 228,580	10/1973	Schurman	D3/281
D. 312,173	11/1990	Smith et al.	D3/291
D. 314,666	2/1991	Lanius	D3/905
D. 315,247	3/1991	Lovell	D3/281
D. 321,433	11/1991	Dickinson	D3/905
D. 337,198	7/1993	Chauvin	D3/291
D. 341,294	11/1993	Doxey	D3/291
D. 361,659	8/1995	Kahl et al.	D3/905
D. 361,888	9/1995	Kahl et al.	D3/905
4,768,651	9/1988	Lanius	206/315

FOREIGN PATENT DOCUMENTS

479476	7/1953	Japan .
890581	2/1994	Japan .

Primary Examiner—Philip S. Hyder
Attorney, Agent, or Firm—Foley & Lardner

[57] **CLAIM**

The ornamental design for a box, as shown and described.

DESCRIPTION

FIG. 1 is a top plan view of a box showing my new design;

FIG. 2 is a first front elevational view thereof;

FIG. 3 is a rear elevational view thereof;

FIG. 4 is a first right side elevational view thereof, a first left side elevational view thereof being a mirror image;

FIG. 5 is a second front elevational view thereof wherein the handle portion is in the upright position;

FIG. 6 is a second right side elevational view thereof wherein the handle and top lid portions are in the upright positions, a second left side elevational view thereof being a mirror image;

FIG. 7 is a third right side elevational view thereof wherein the latch is in the off position and the cover is in the open position, a third left side elevational view thereof being a mirror image;

FIG. 8 is a top plan view of a second embodiment of a box showing my new design;

FIG. 9 is a first front elevational view thereof;

FIG. 10 is a rear elevational view thereof;

FIG. 11 is a bottom plan view thereof;

FIG. 12 is a first right side elevational view thereof, a left side elevational view thereof being a mirror image;

FIG. 13 is a second front elevational view thereof wherein the handle portion is in the upright position;

FIG. 14 is a second right side elevational view thereof wherein the handle and top lid portions are in the upright positions, a second left side elevational view thereof being a mirror image;

FIG. 15 is a third right side elevational view thereof wherein the latch is in the off position and the cover is in the opening position, a third left side elevational view thereof being a mirror image; and,

FIG. 16 is a reference top plan view thereof wherein the cover portion is in the open position.

1 Claim, 9 Drawing Sheets

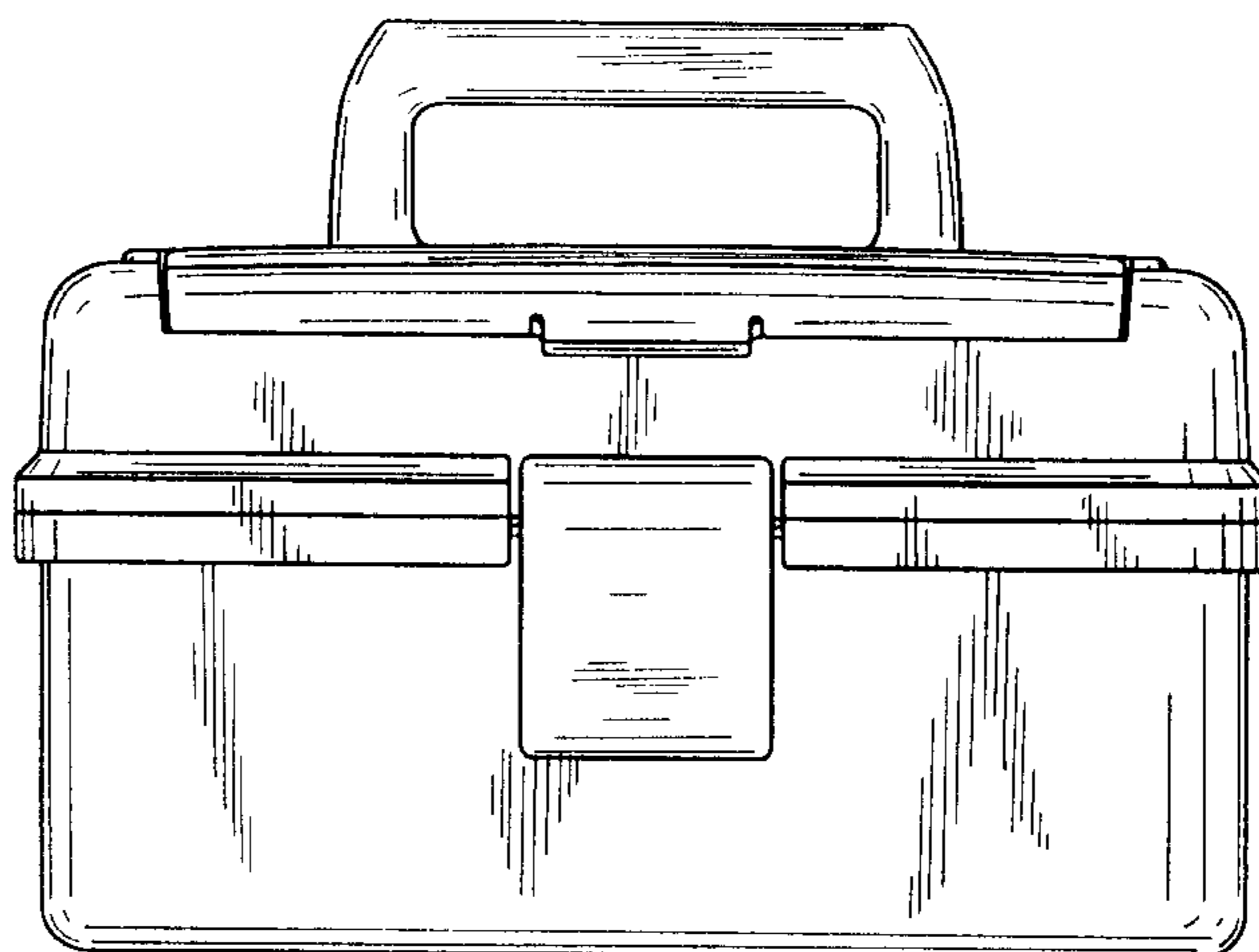


FIG. 1

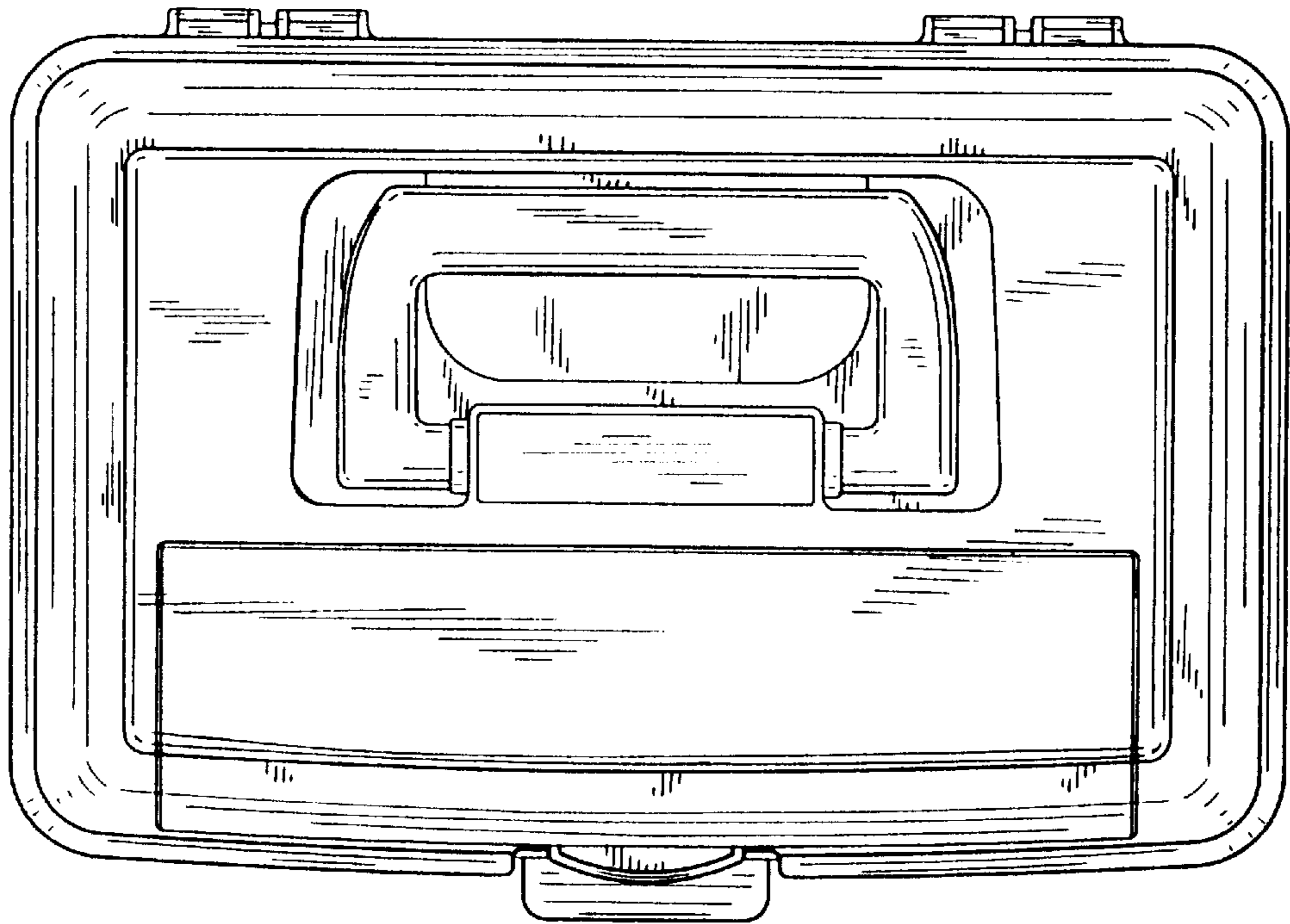


FIG. 2

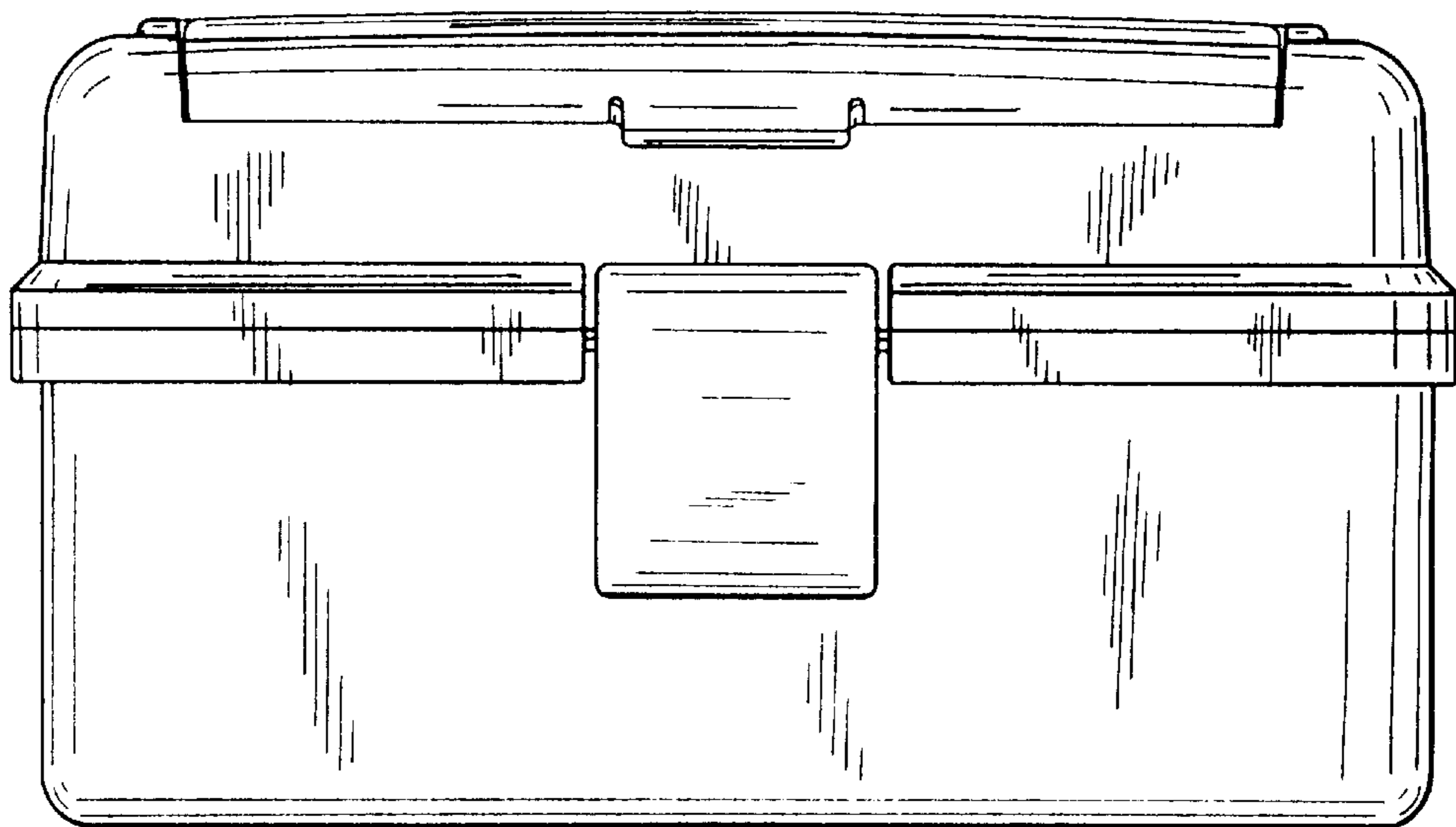


FIG. 3

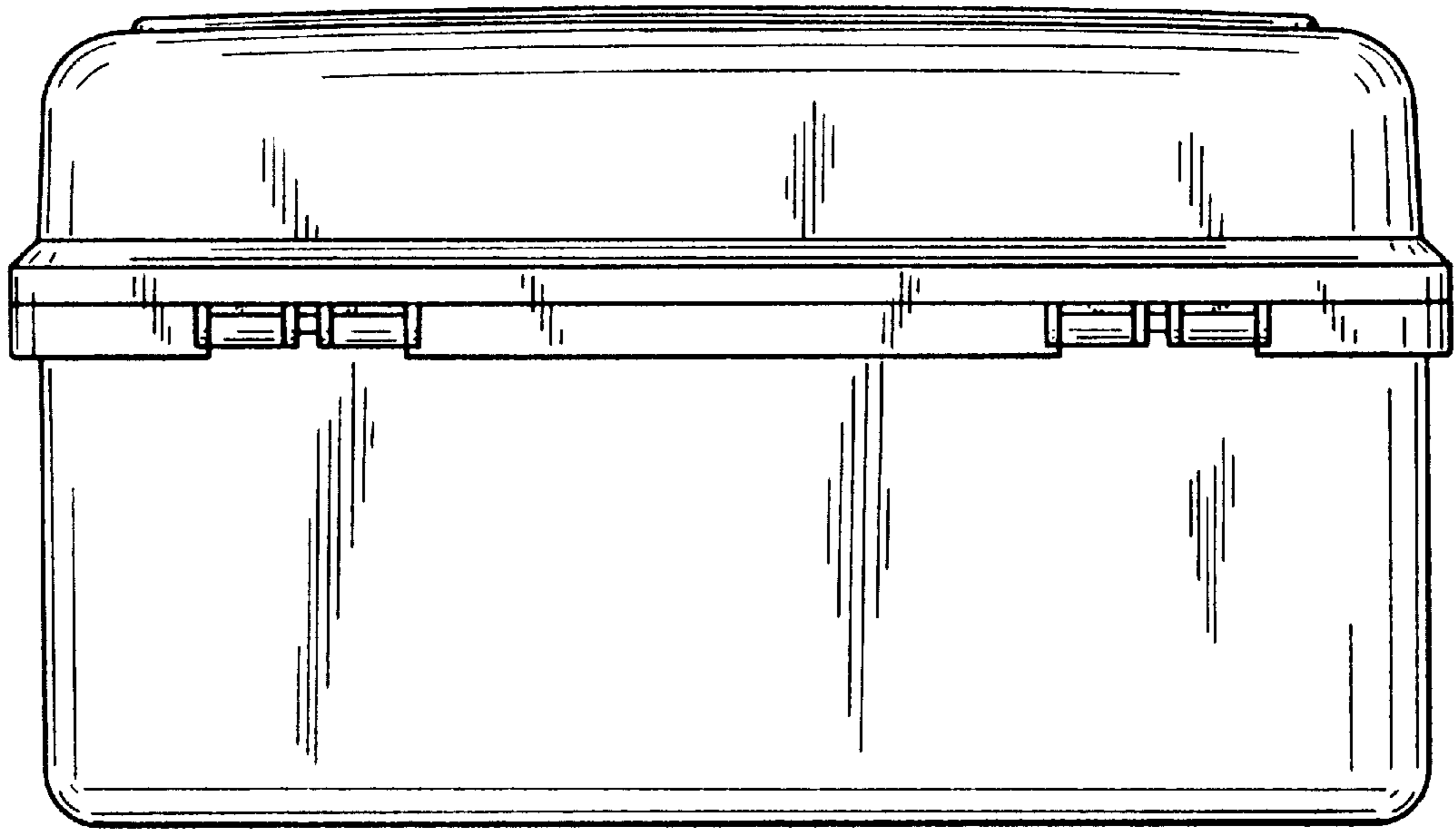


FIG. 4

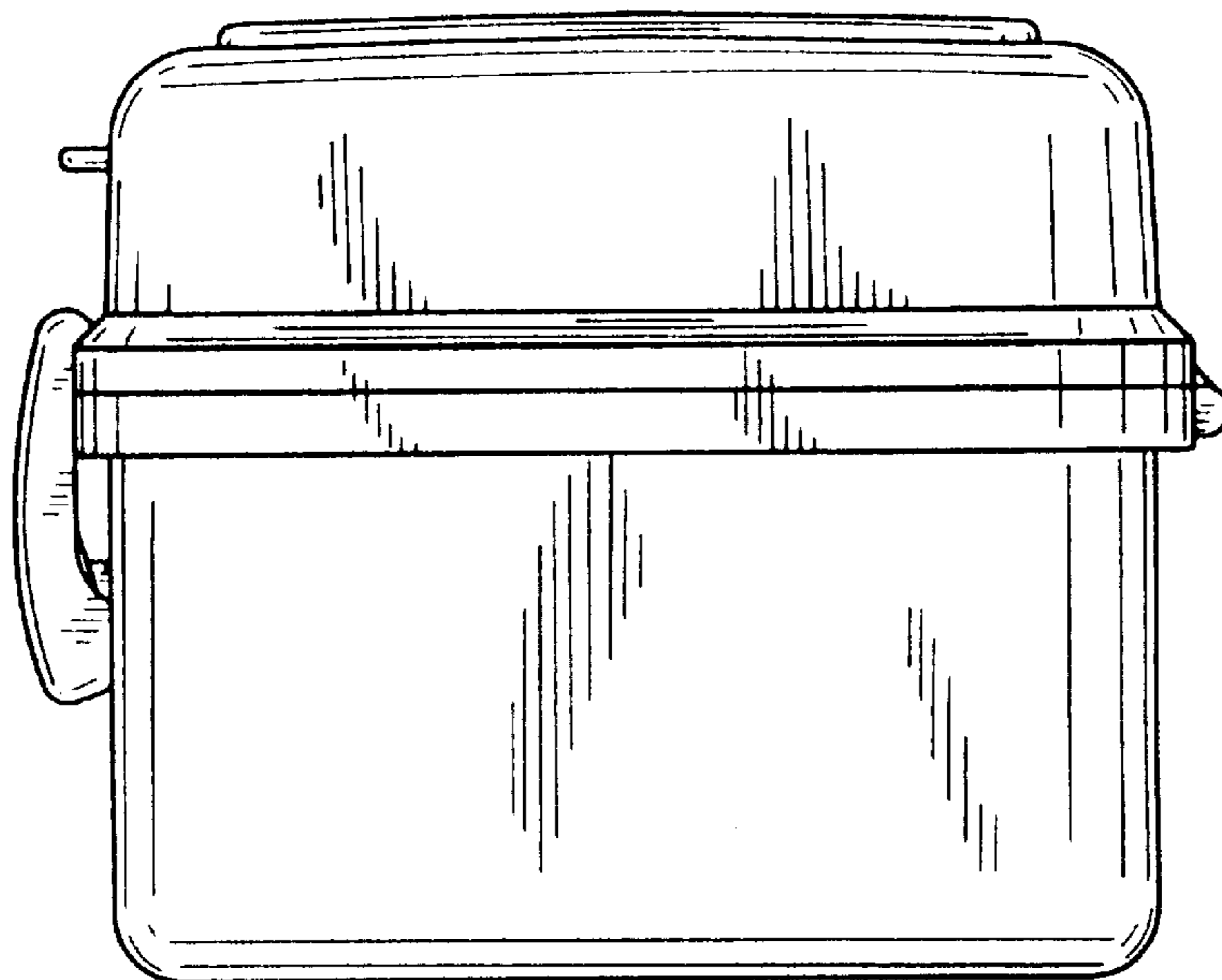


FIG. 5

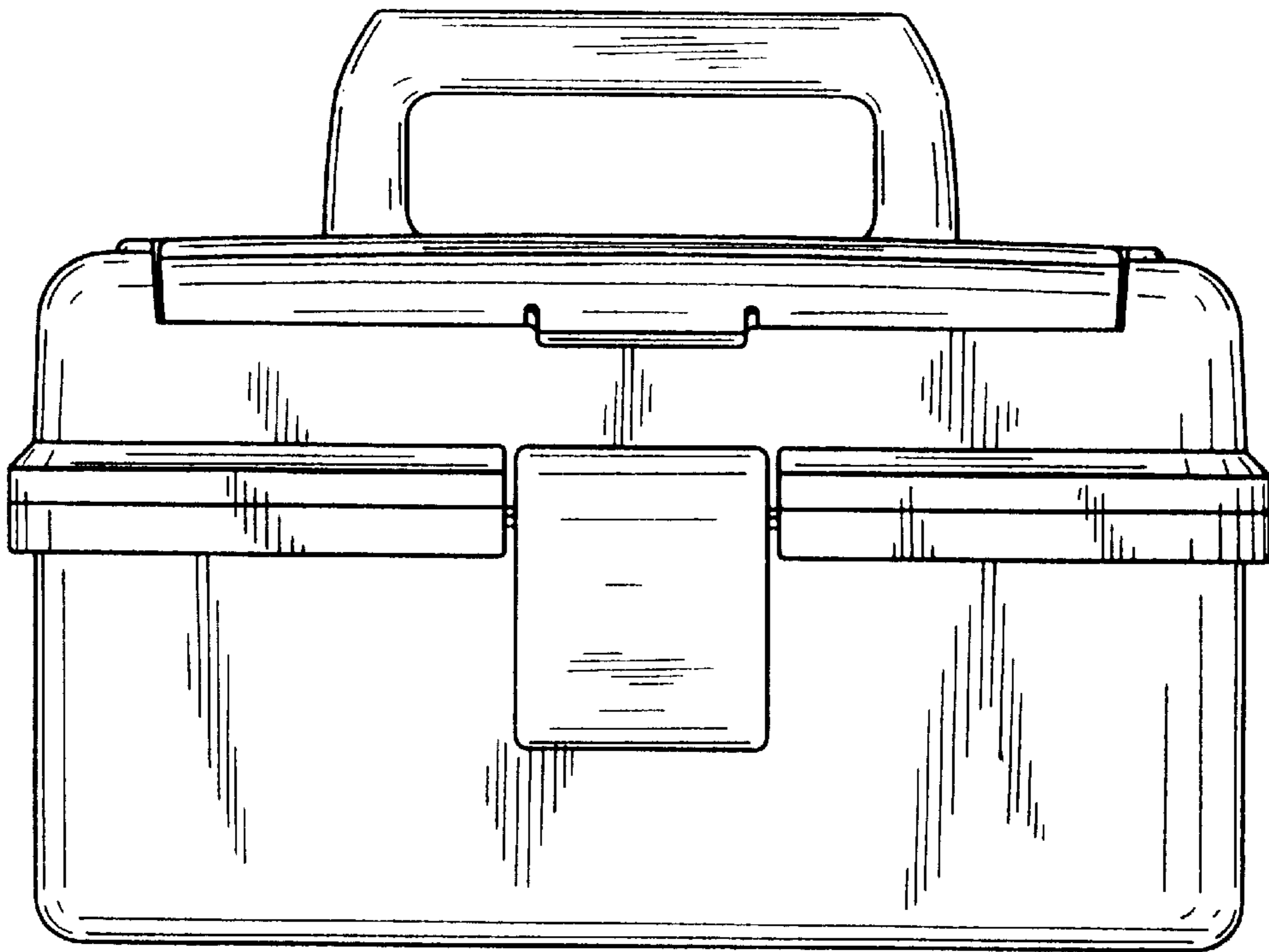


FIG. 6

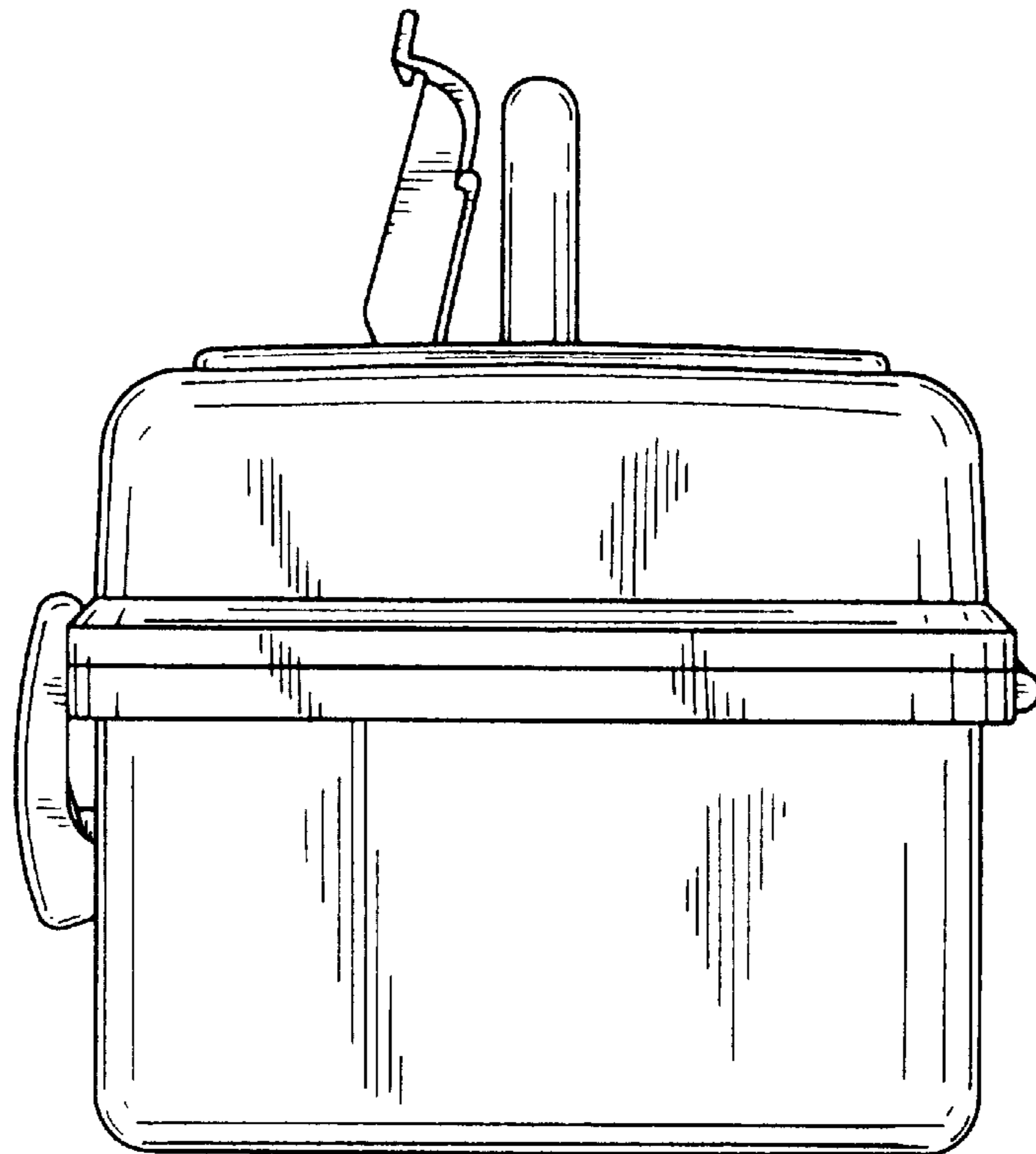


FIG. 7

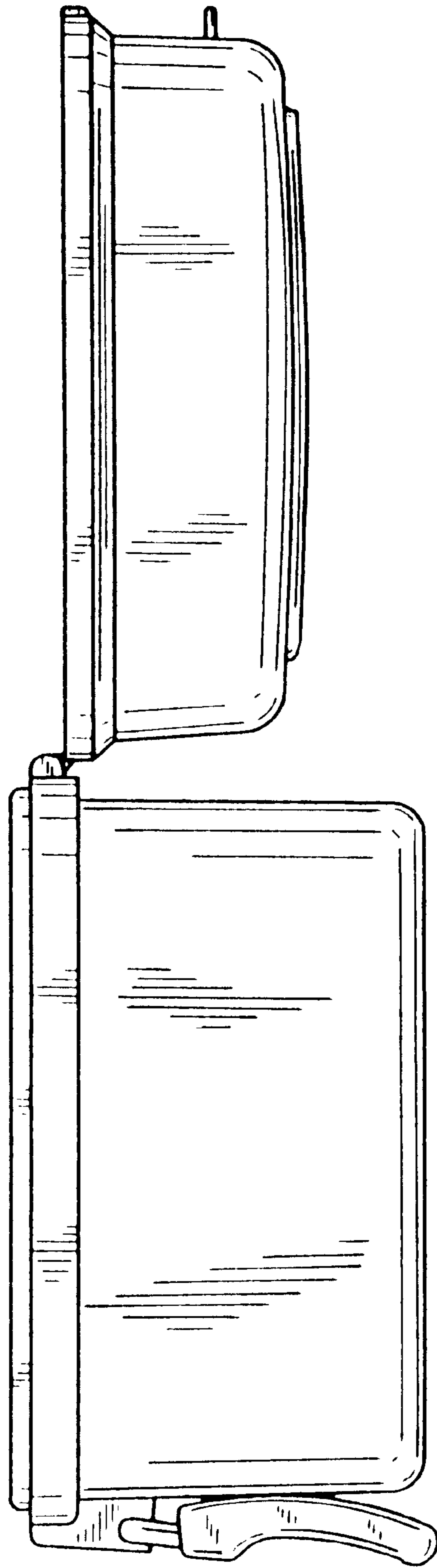


FIG. 8

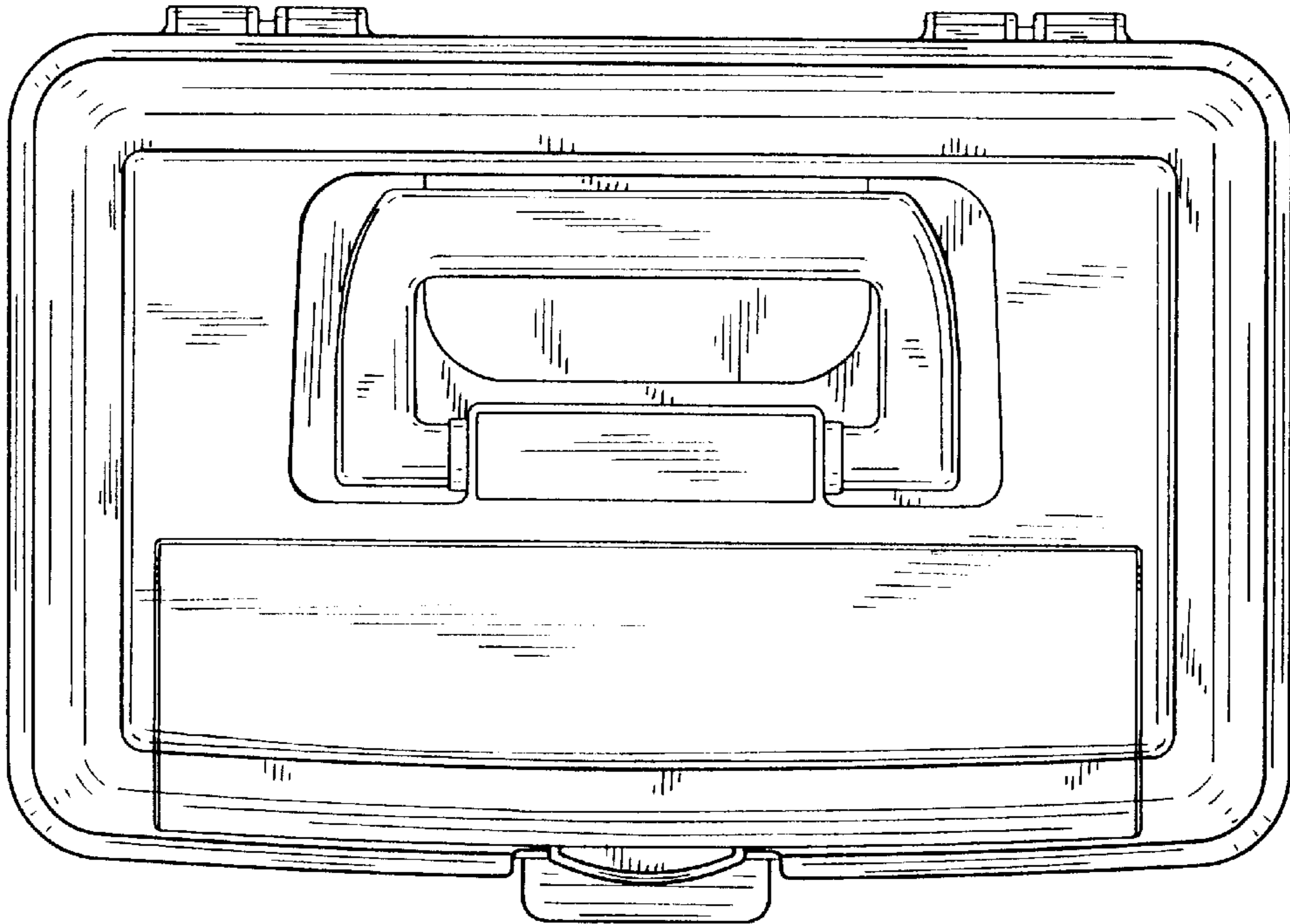


FIG. 9

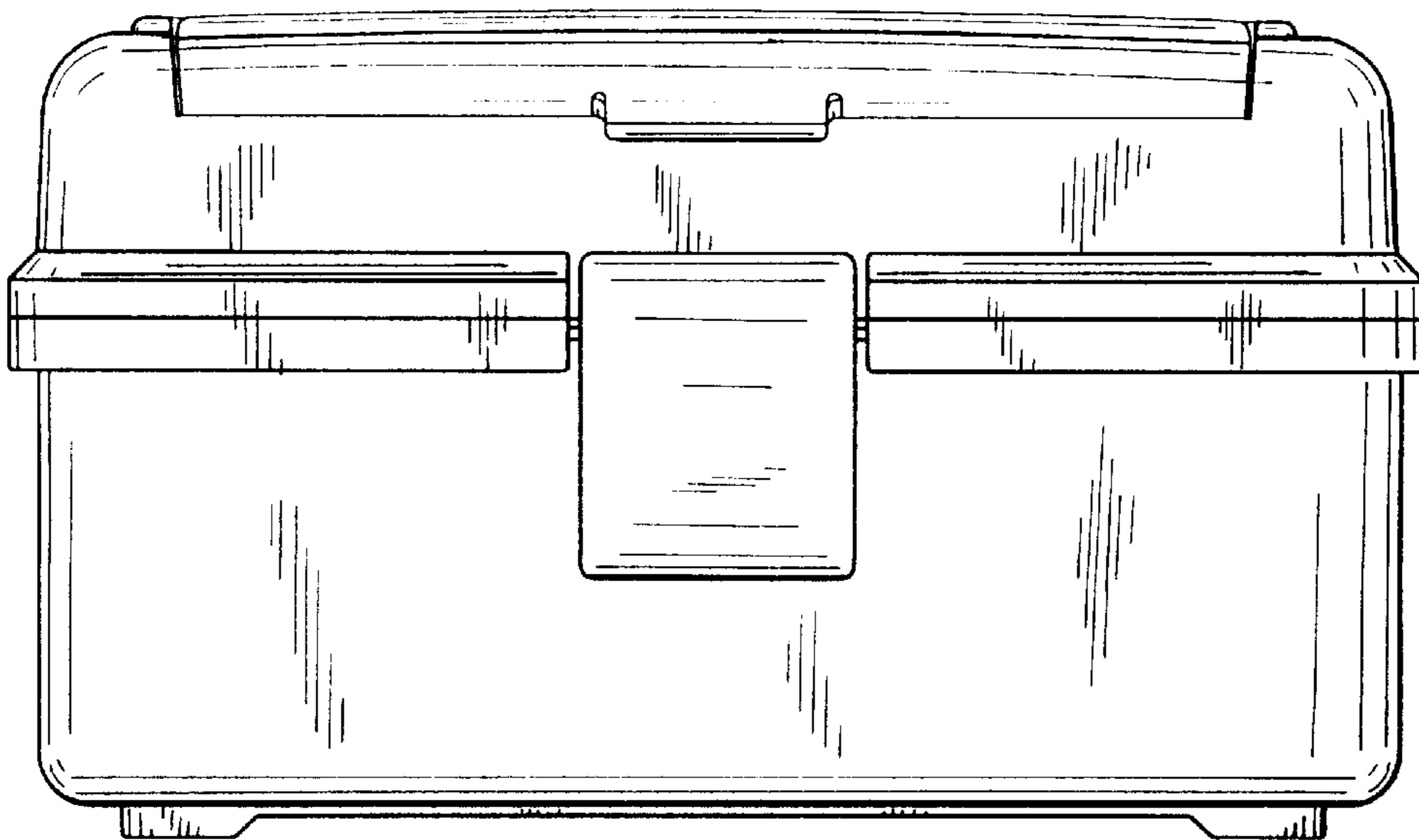


FIG. 10

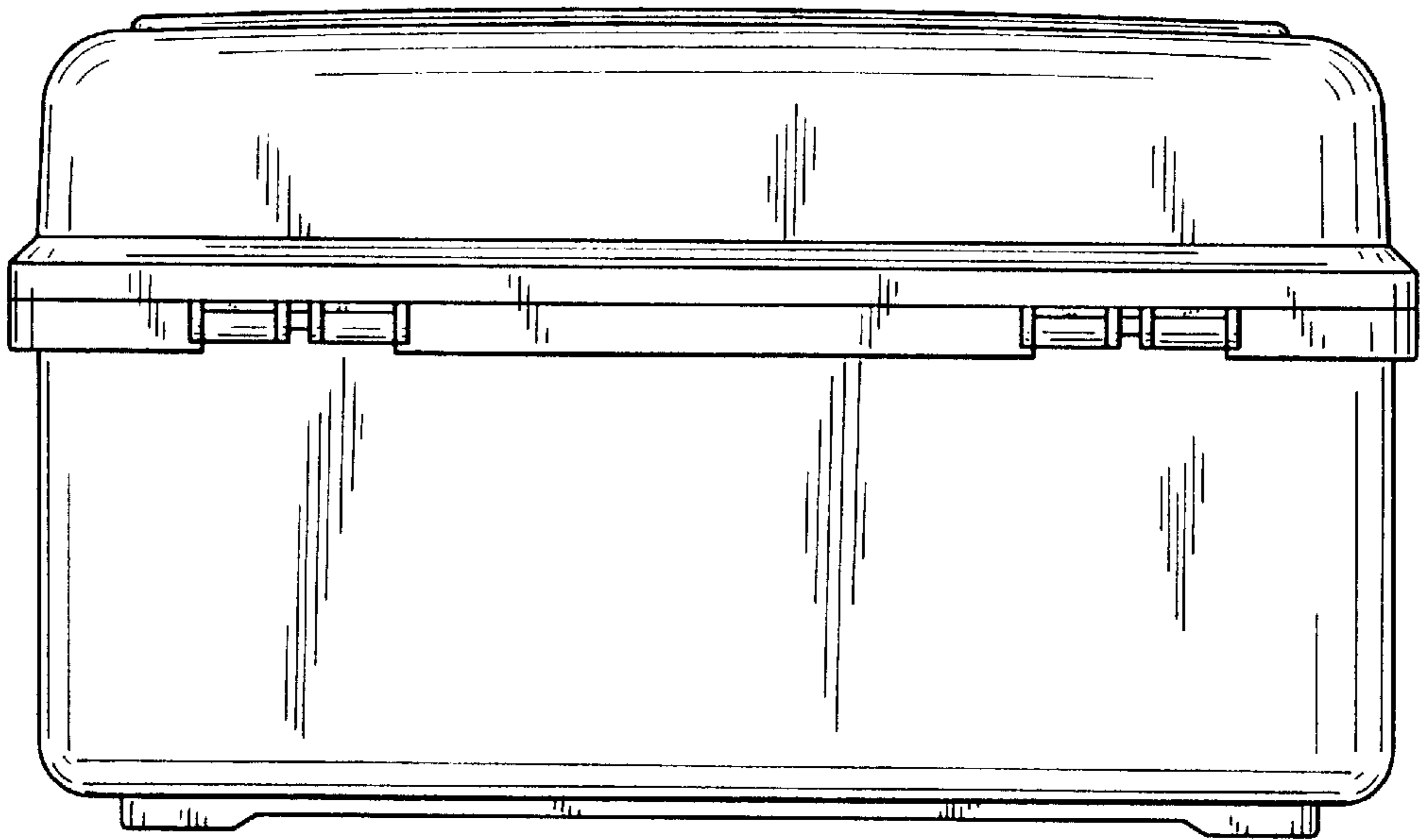


FIG. 11

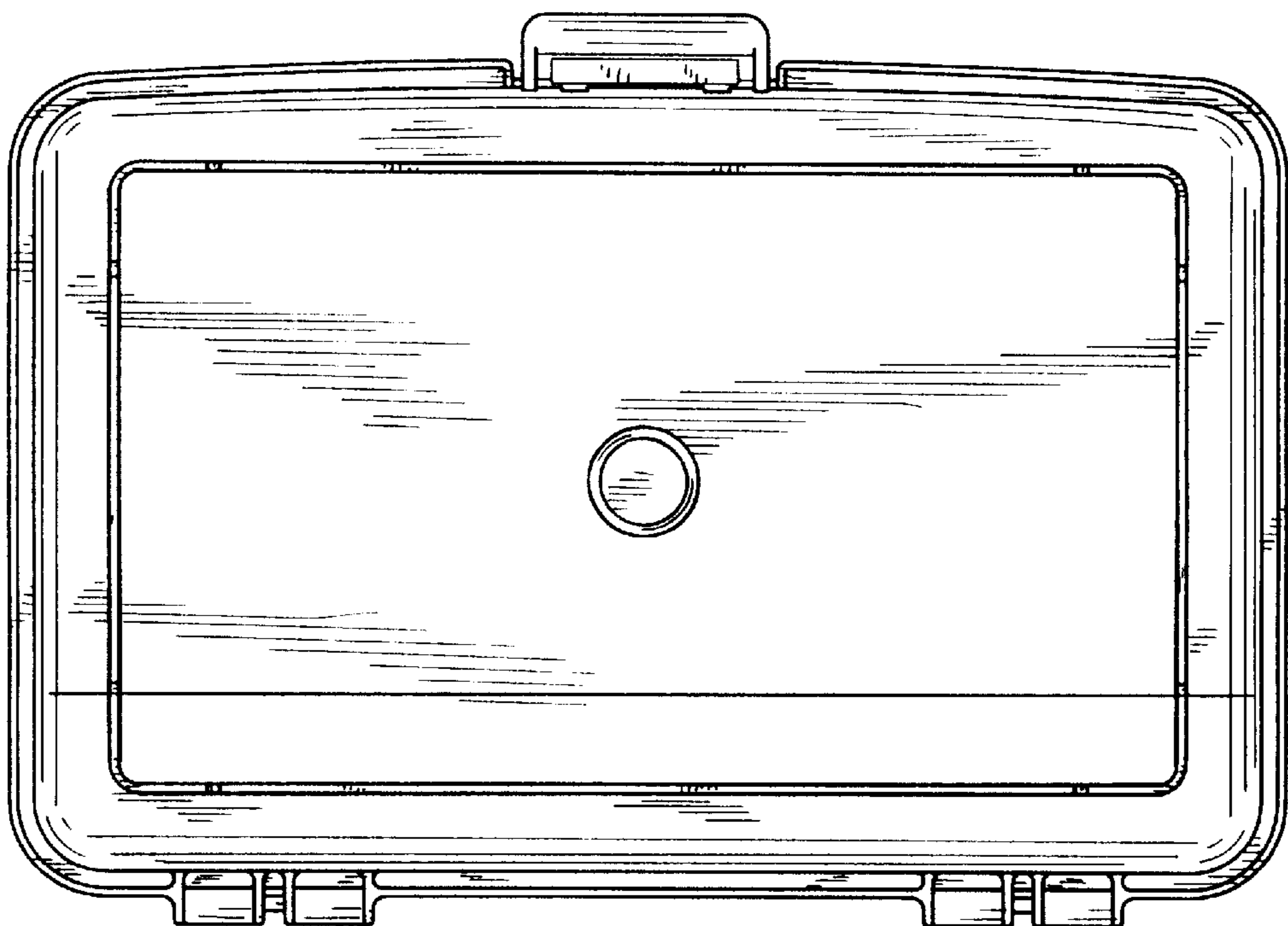


FIG. 12

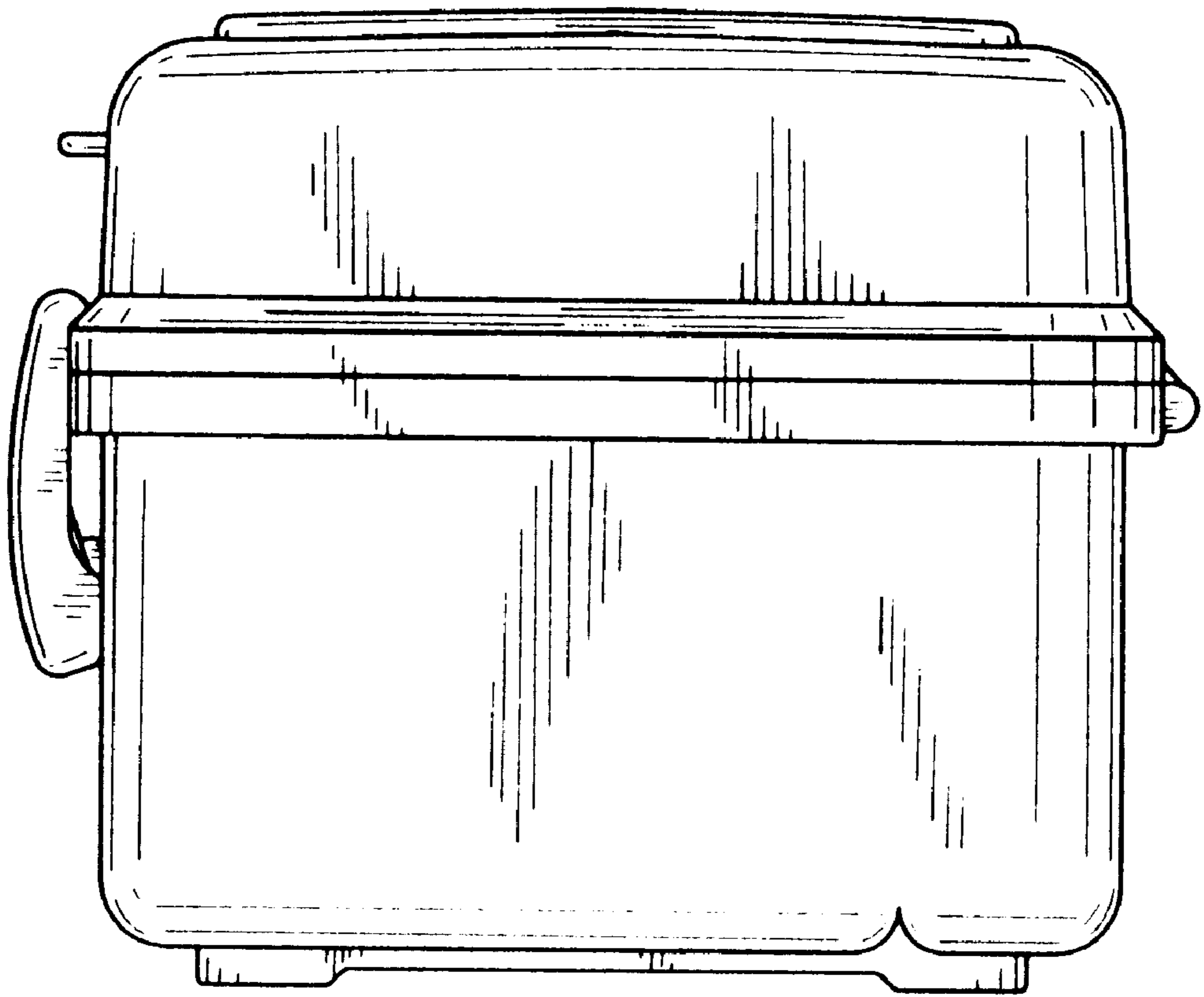


FIG. 13

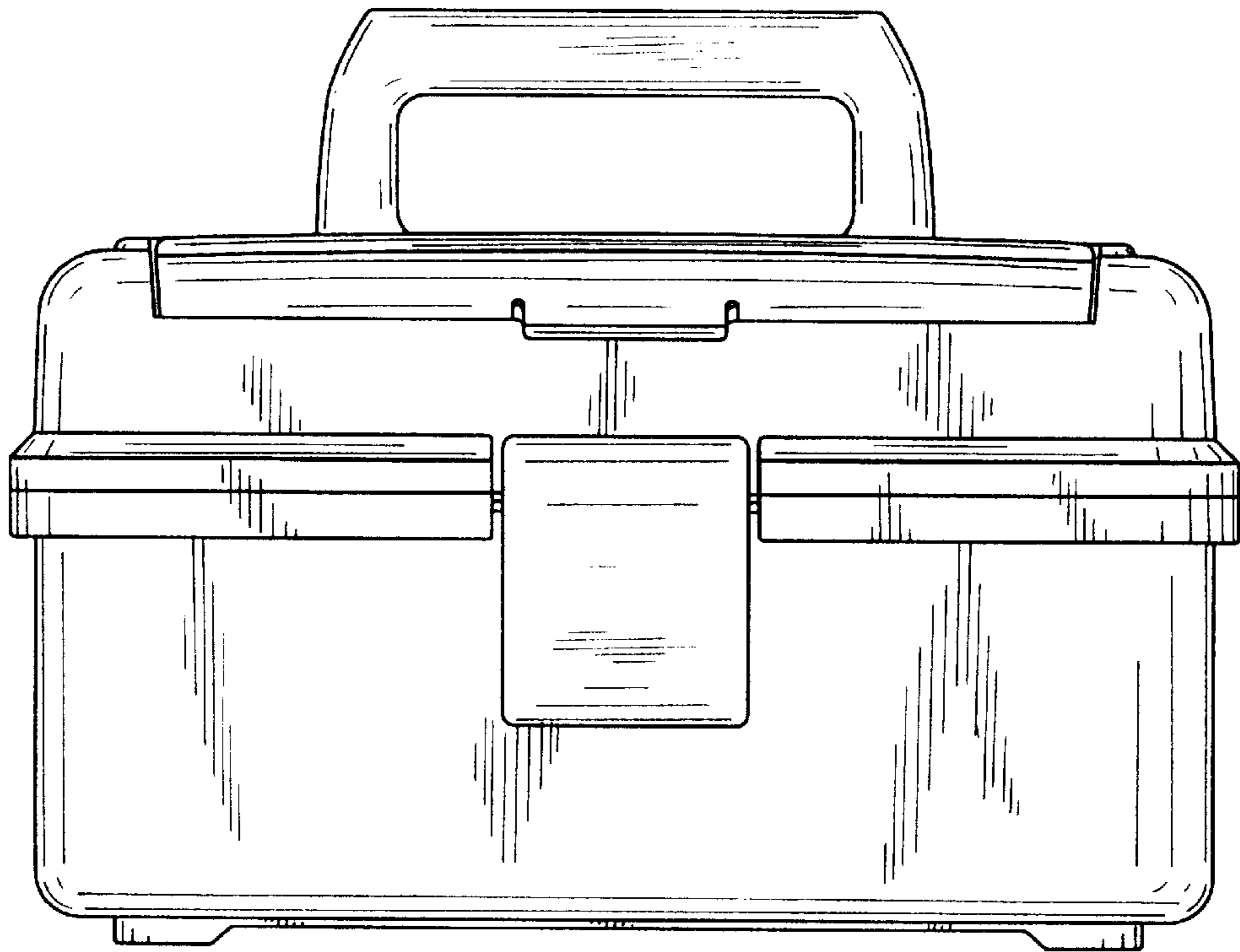


FIG. 14

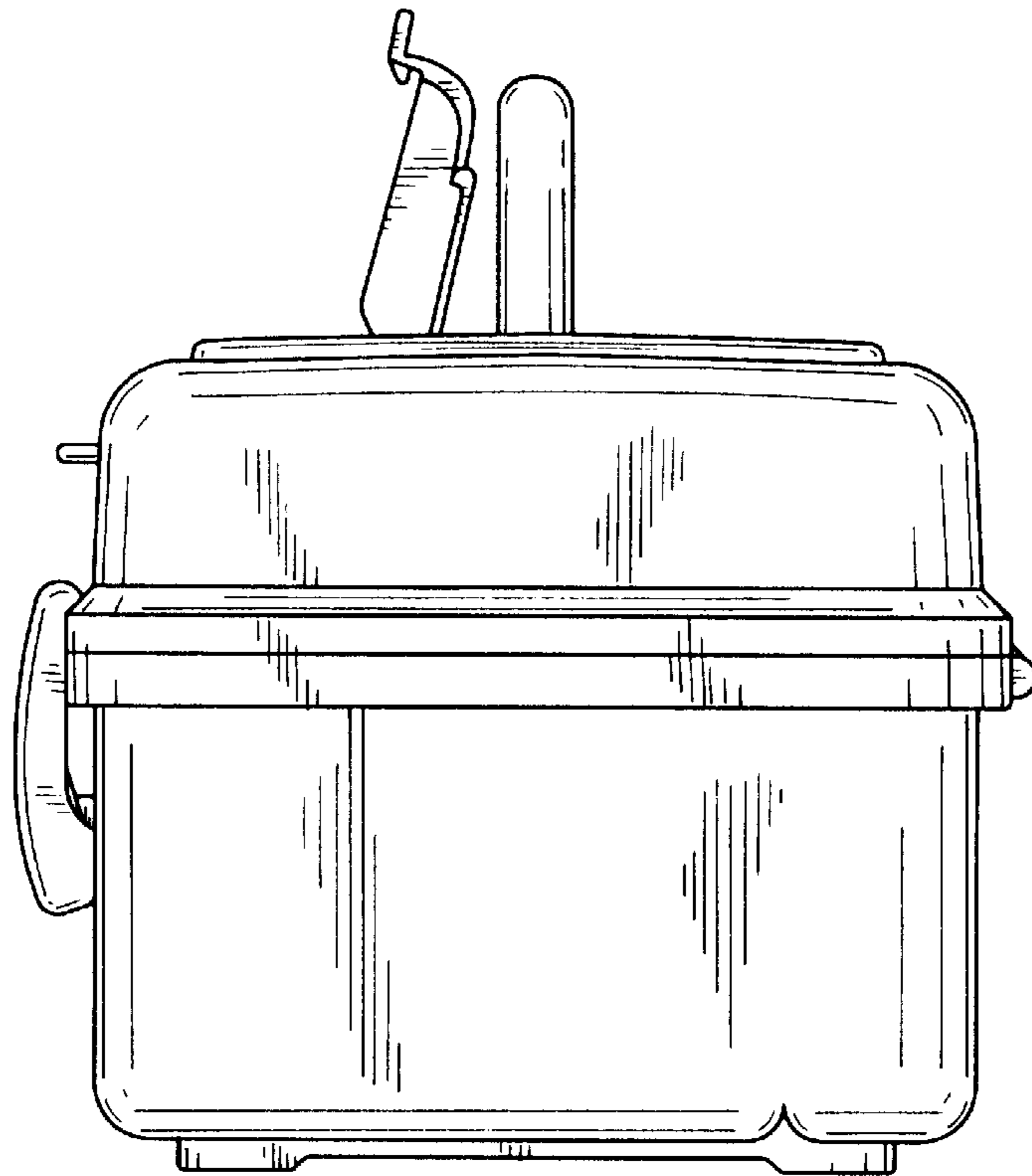


FIG. 15

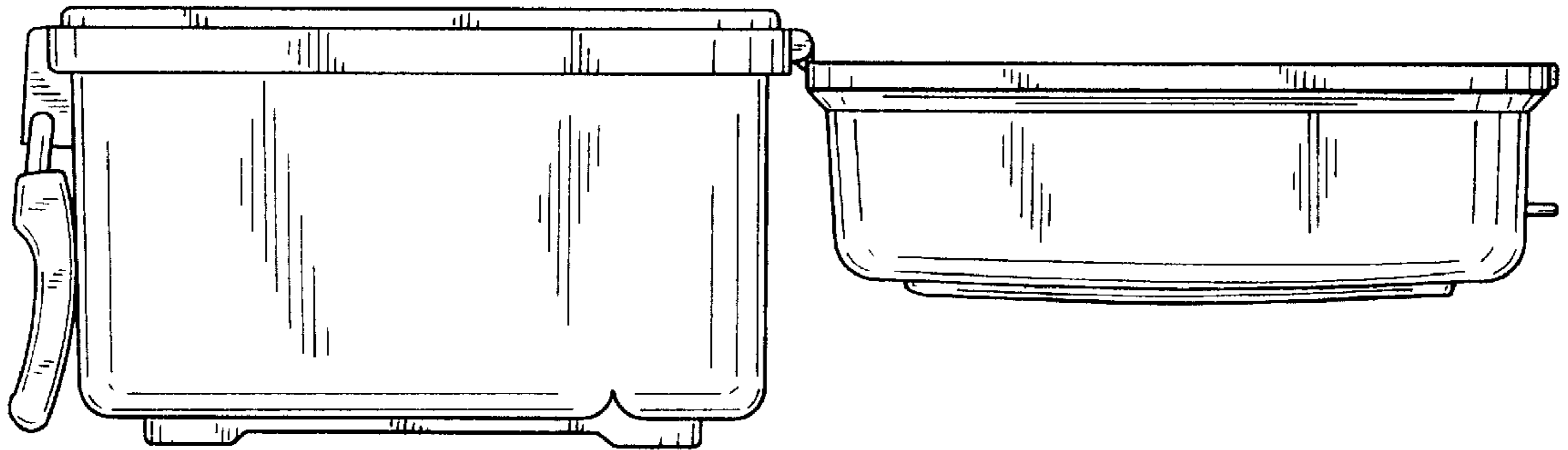


FIG. 16

