



US00D418293S

United States Patent [19] Palmer

[11] **Patent Number: Des. 418,293**
[45] **Date of Patent: ** Jan. 4, 2000**

[54] **BUSINESS CARD HOLDER**

[76] Inventor: **Gregg E. Palmer**, 15014 Wirt Cir.,
Omaha, Nebr. 68116

[**] Term: **14 Years**

[21] Appl. No.: **29/083,632**

[22] Filed: **Feb. 13, 1998**

[51] **LOC (7) Cl. 03-01**

[52] **U.S. Cl. D3/248; D3/201; D3/247**

[58] **Field of Search D3/247, 248, 249;**
D29/102, 103, 104, 105, 106, 107; 206/779,
315.1, 457

[56] **References Cited**

U.S. PATENT DOCUMENTS

D. 232,057	7/1974	Parks	D29/106 X
D. 338,336	8/1993	Grant	D3/247
D. 369,529	5/1996	Blankenburg et al.	D29/106 X
3,263,236	8/1966	Humphrey	D29/106 X
3,292,180	12/1966	Marietta	D29/106 X
5,348,145	9/1994	Steinfels, III	206/779
5,485,913	1/1996	Steinfels, III	206/779

OTHER PUBLICATIONS

"Bike" Faceguard Publication, p. 2, prior to Sep. 19, 1983.

Primary Examiner—Louis S. Zarfes
Assistant Examiner—Monica A. Weingart

Attorney, Agent, or Firm—Koley, Jessen, Daubman &
Rupiper, P.C.; Mark D. Frederiksen

[57] **CLAIM**

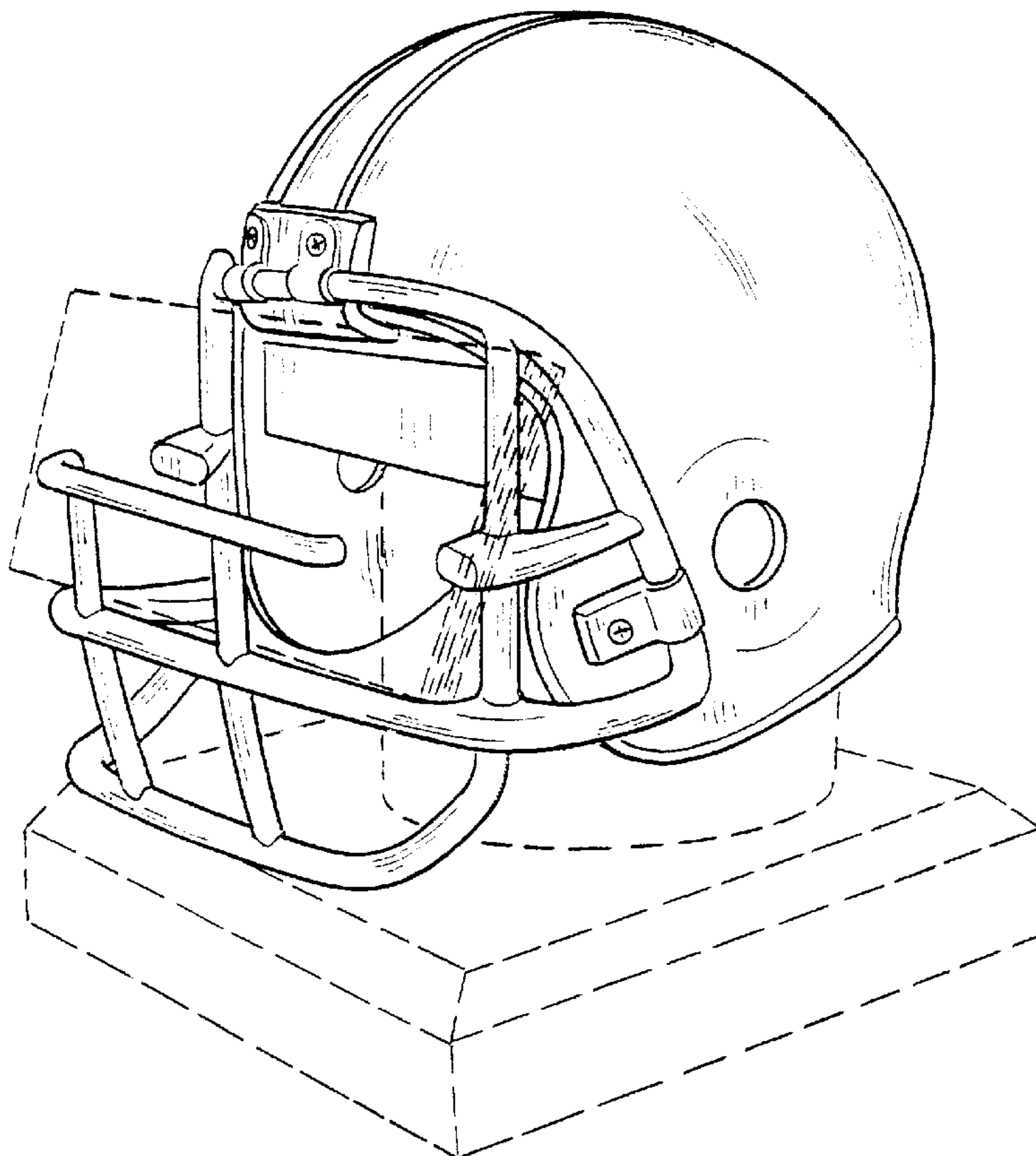
The ornamental design for a business card holder, as shown
and described.

DESCRIPTION

FIG. 1 is a perspective view of the business card holder showing my new design;
 FIG. 2 is a front elevational view thereof;
 FIG. 3 is an elevational view taken from the right side of FIG. 2, the left elevational view being a mirror image;
 FIG. 4 is a rear elevational view thereof;
 FIG. 5 is a top plan view thereof;
 FIG. 6 is a bottom plan view thereof;
 FIG. 7 is a perspective view of a second embodiment of the business card holder showing my new design;
 FIG. 8 is a front elevational view thereof;
 FIG. 9 is an elevational view taken from the right side of FIG. 8, the left elevational view being a mirror image thereof;
 FIG. 10 is a rear elevational view thereof;
 FIG. 11 is a top plan view thereof; and,
 FIG. 12 is a bottom plan view thereof.

The broken line shown in FIGS. 1–12 is included for the purpose of illustrating environmental structure only, and forms no part of the claimed design.

1 Claim, 4 Drawing Sheets



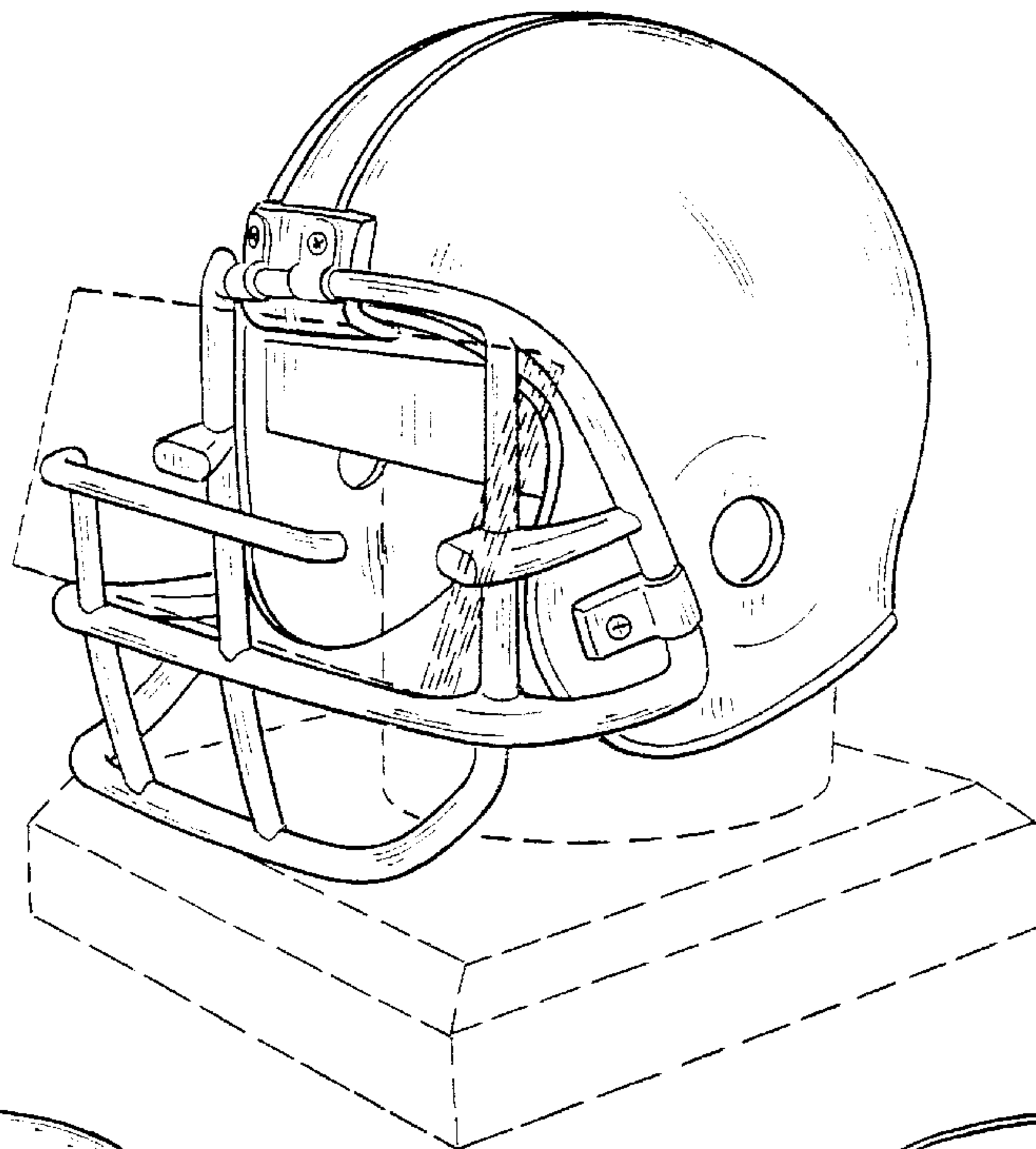


FIG. 1

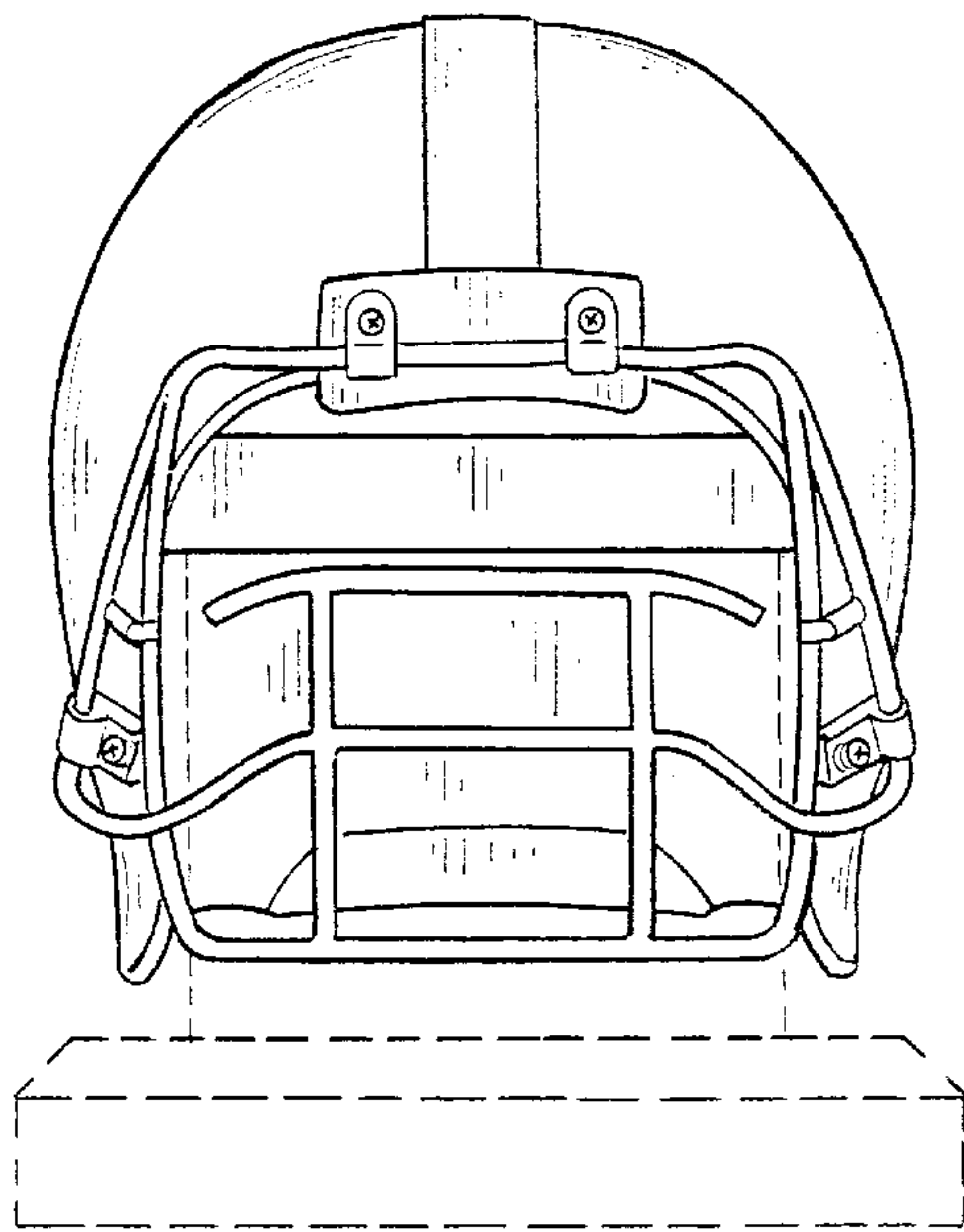


FIG. 2

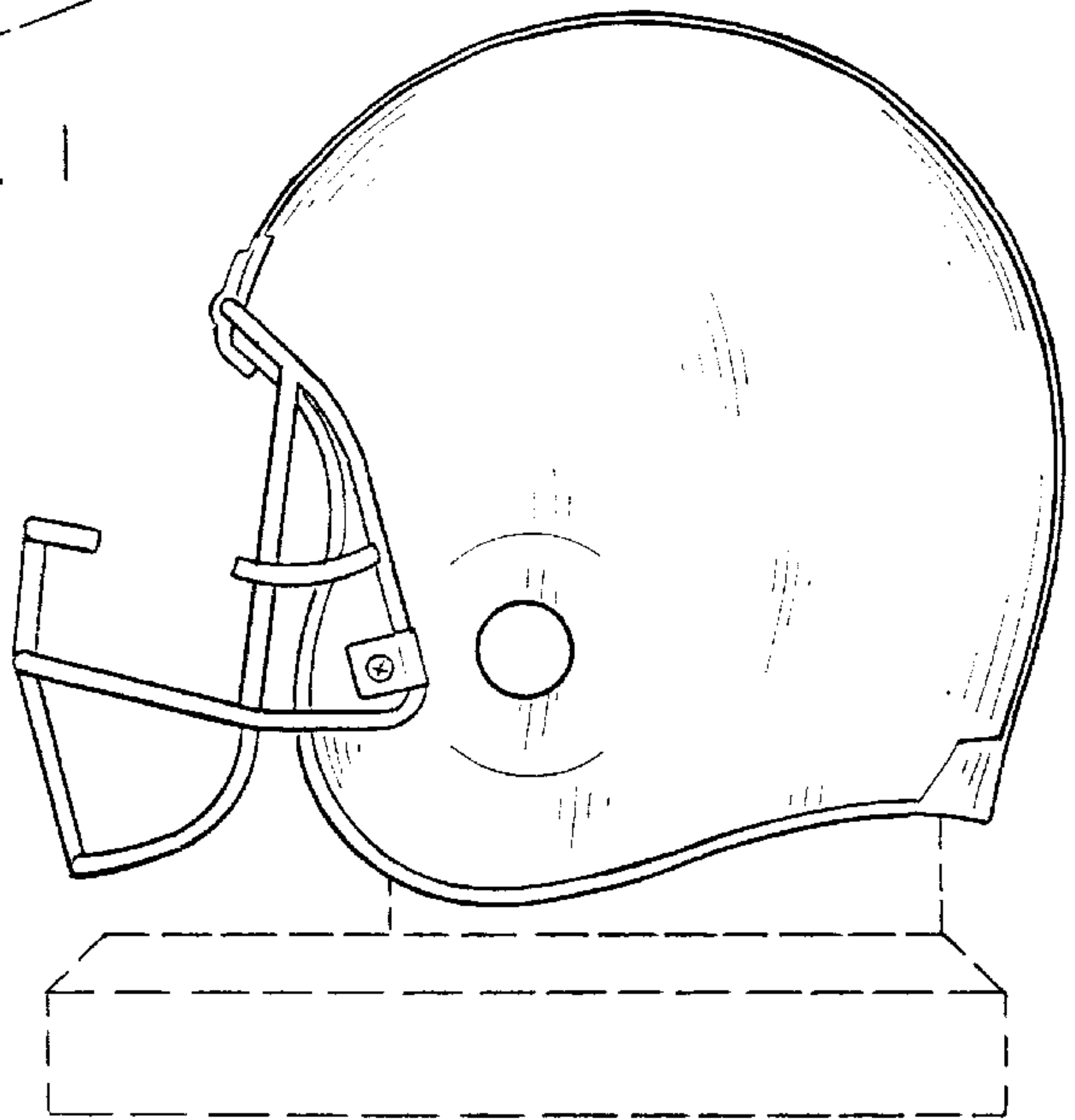


FIG. 3

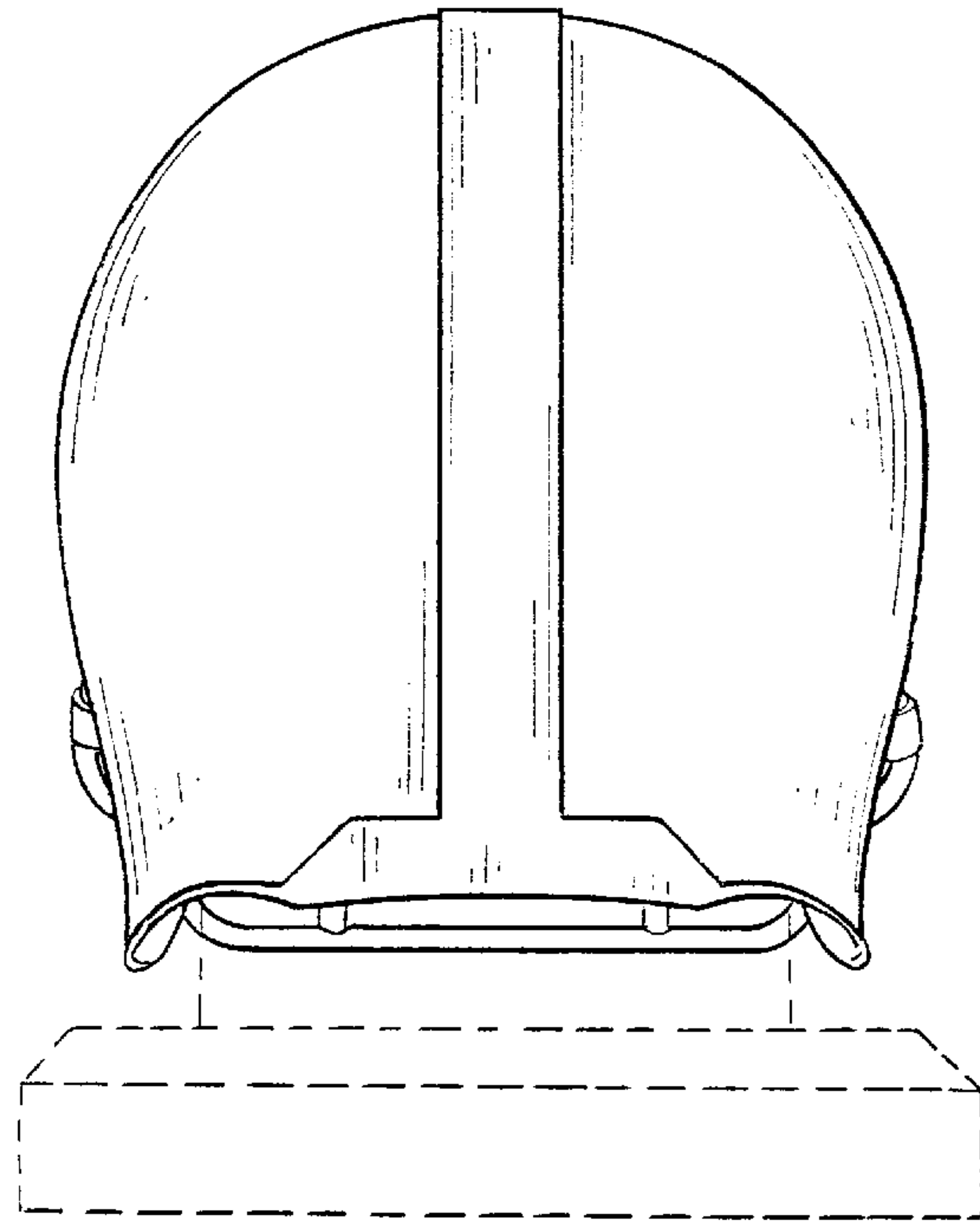


FIG. 4

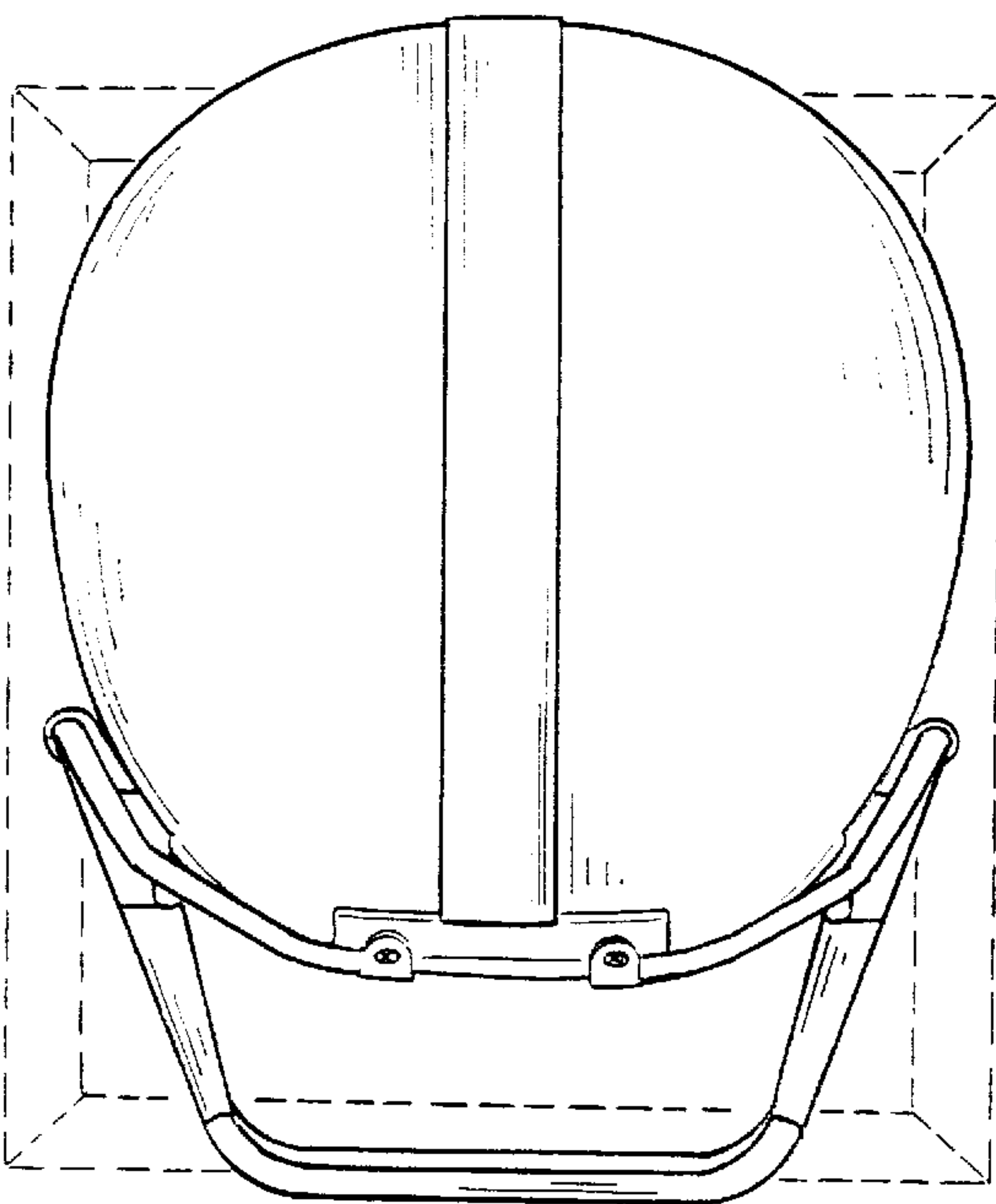


FIG. 5

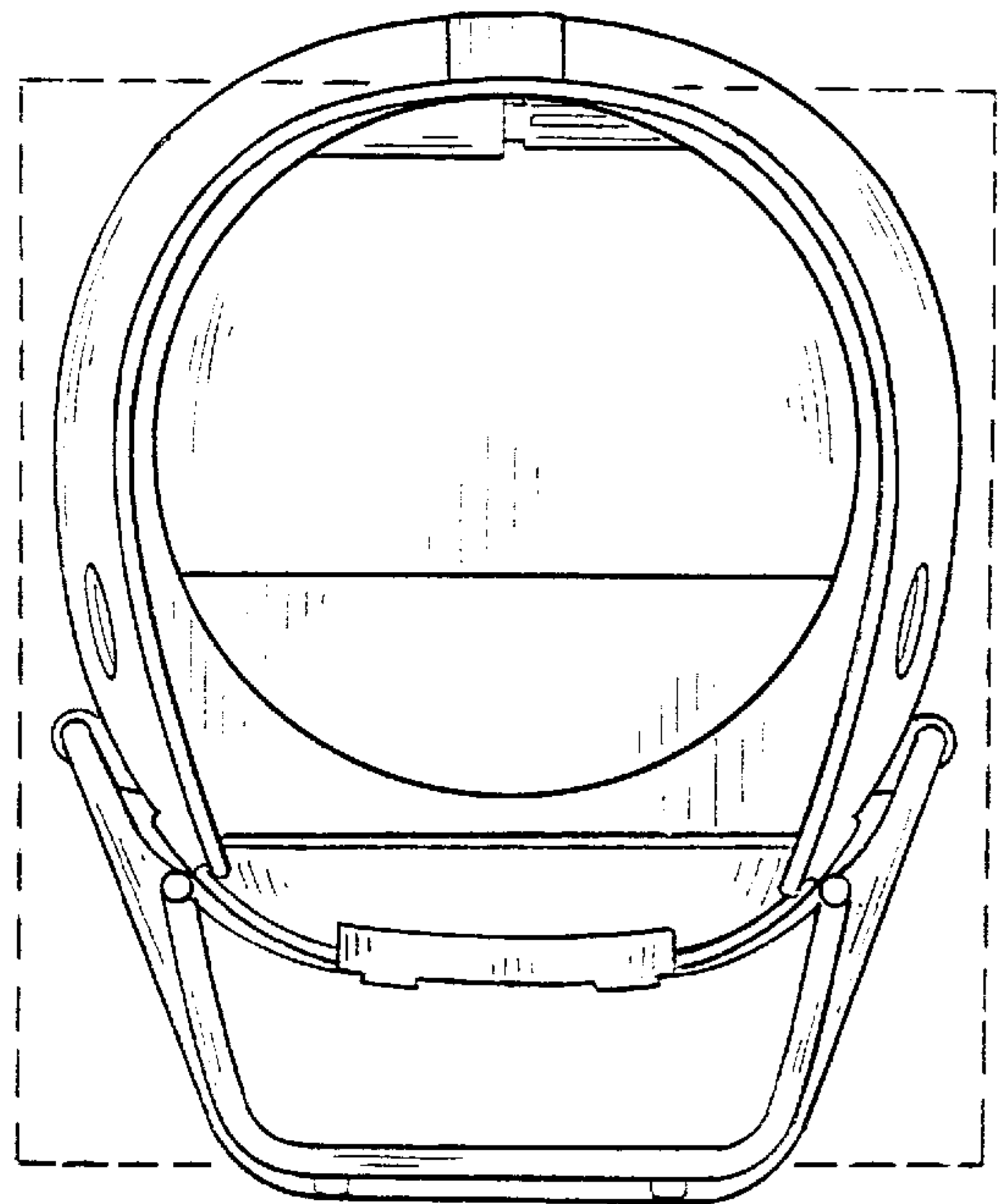


FIG. 6

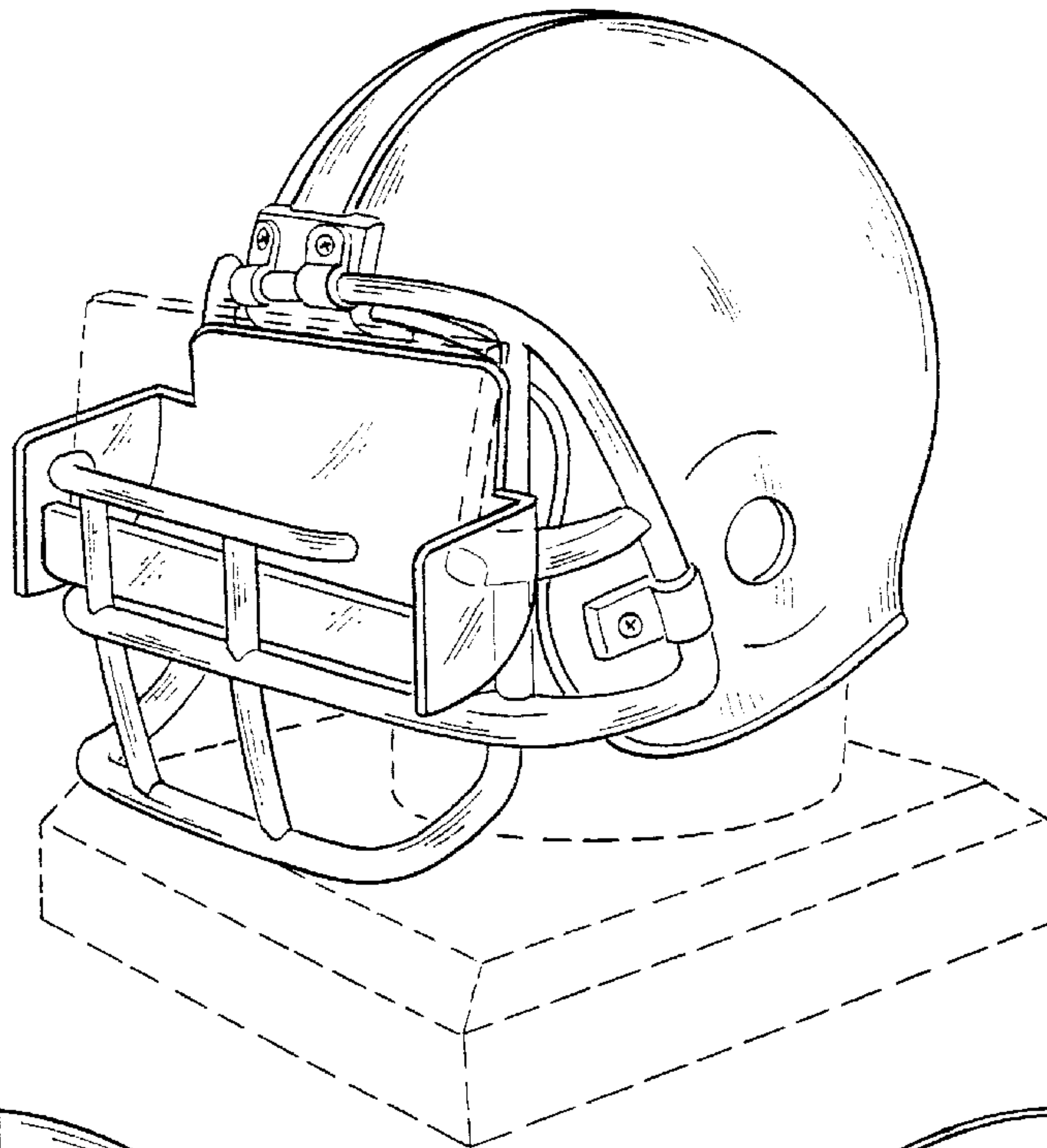


FIG. 7

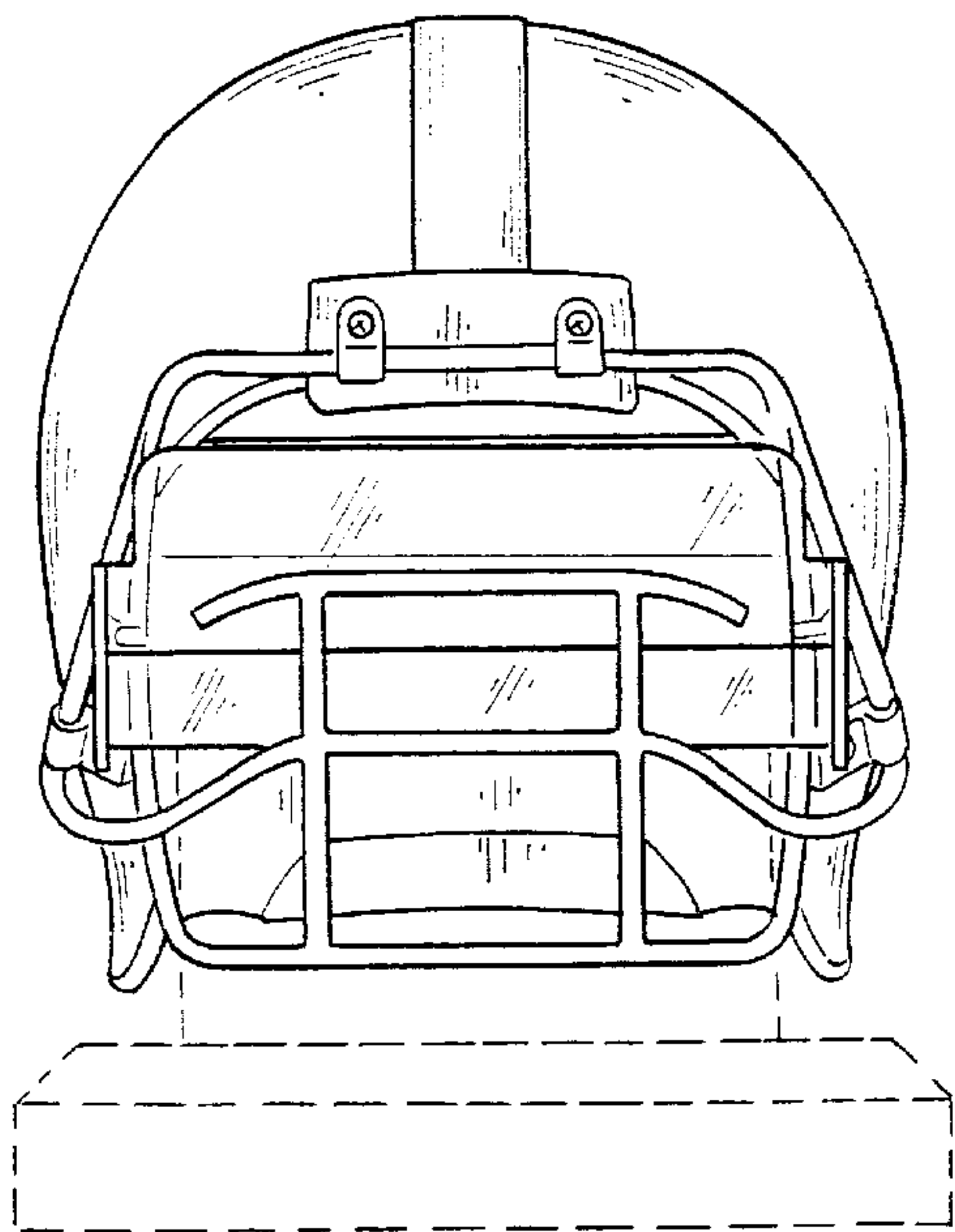


FIG. 8

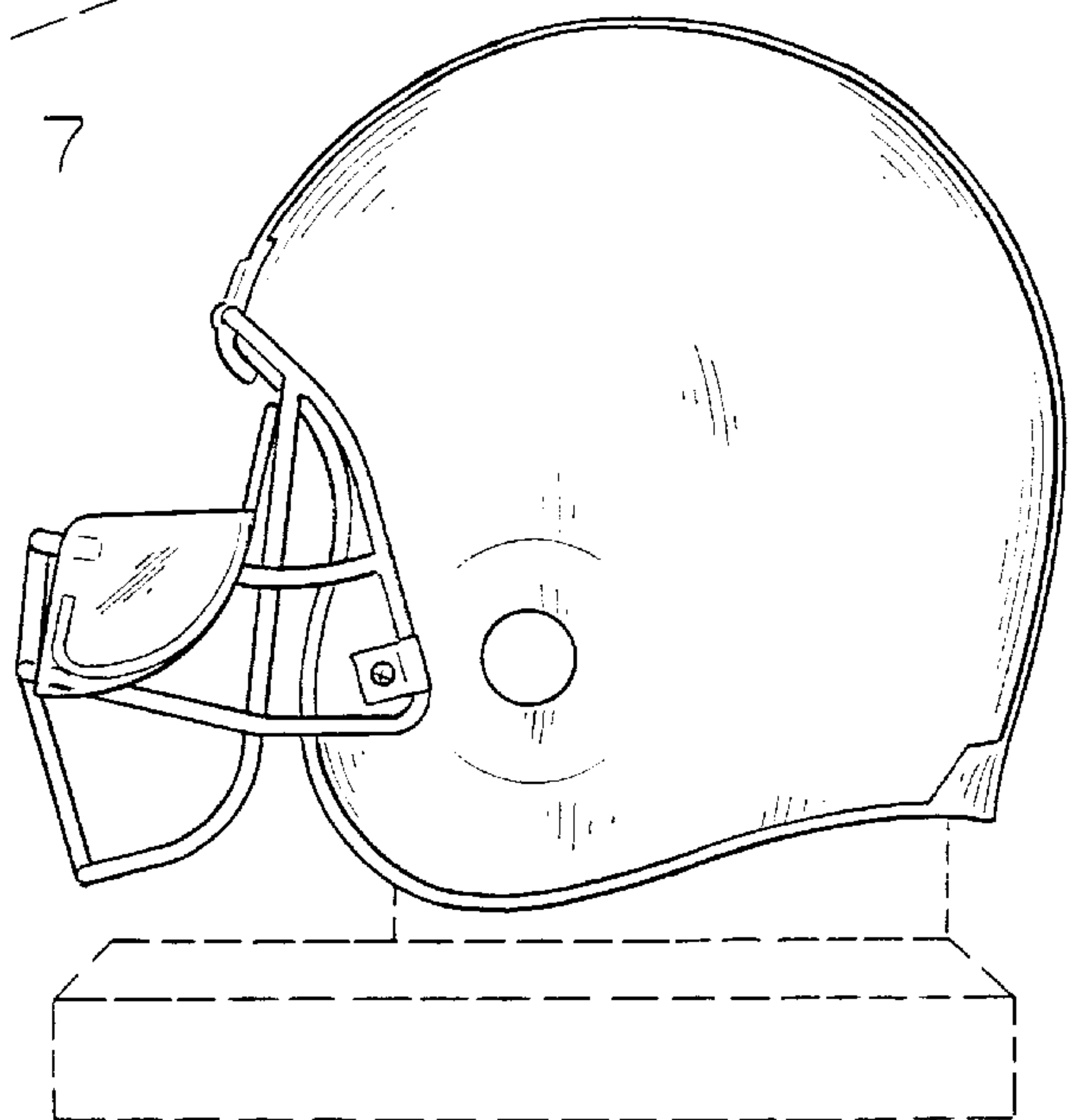


FIG. 9

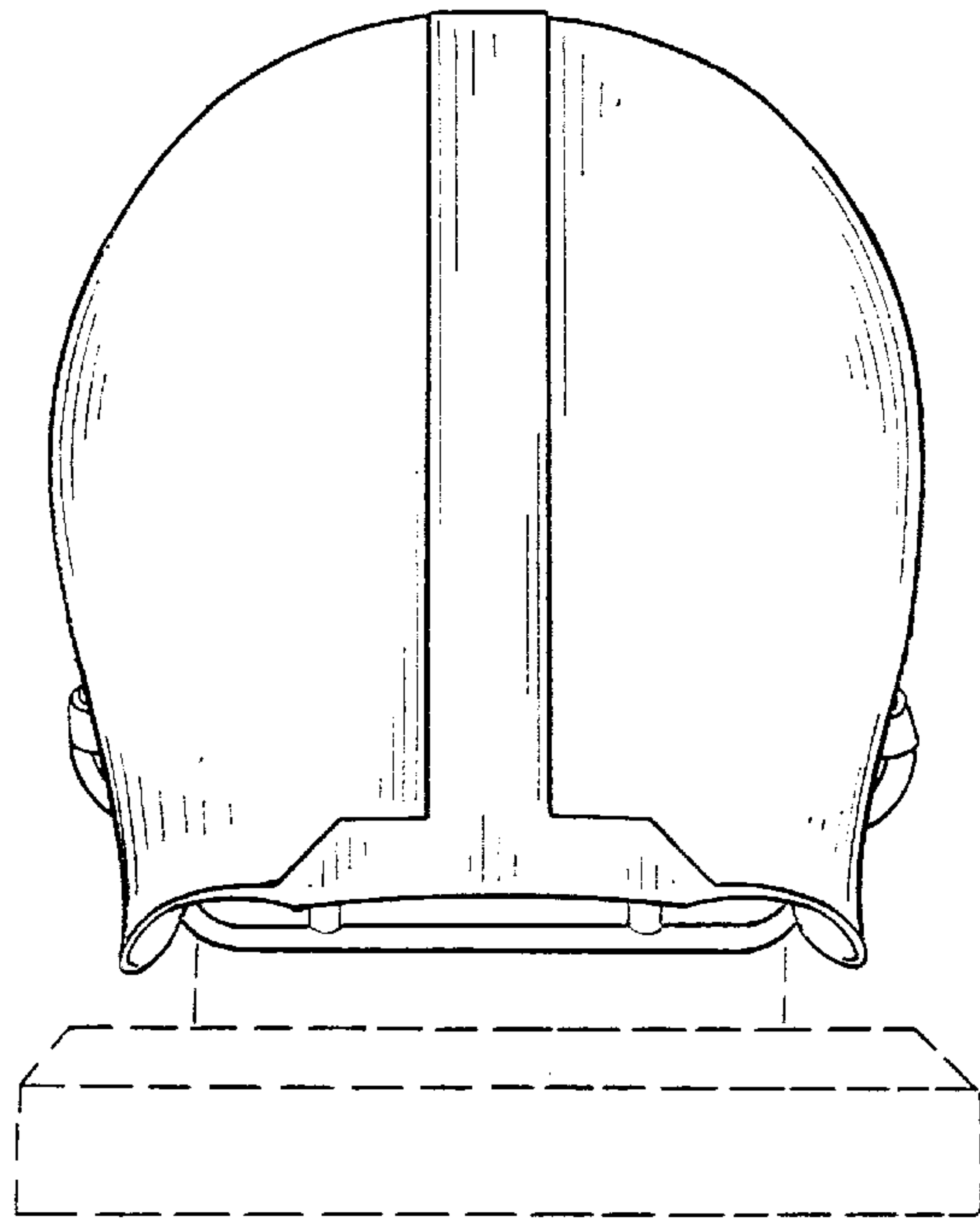


FIG. 10

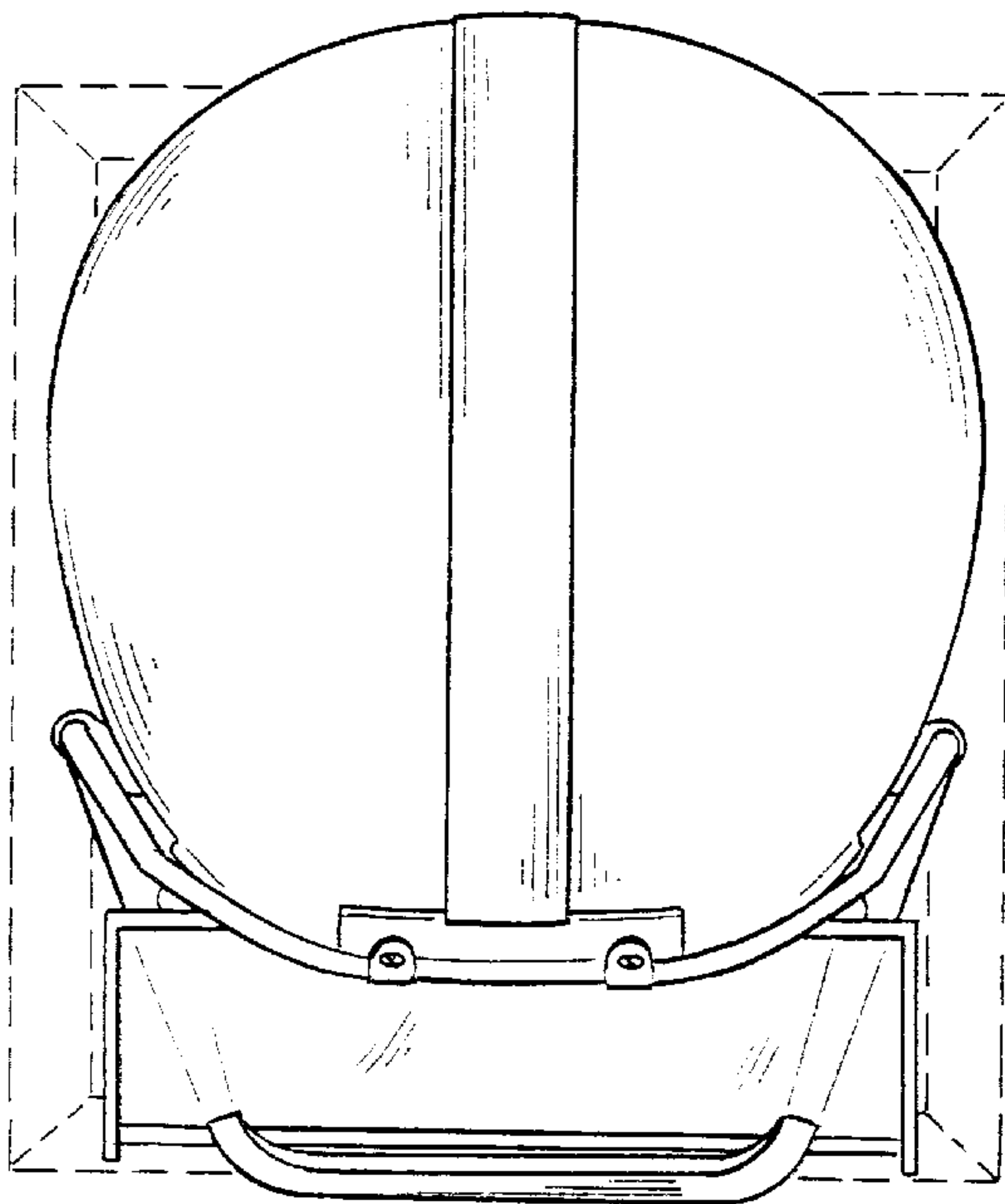


FIG. 11

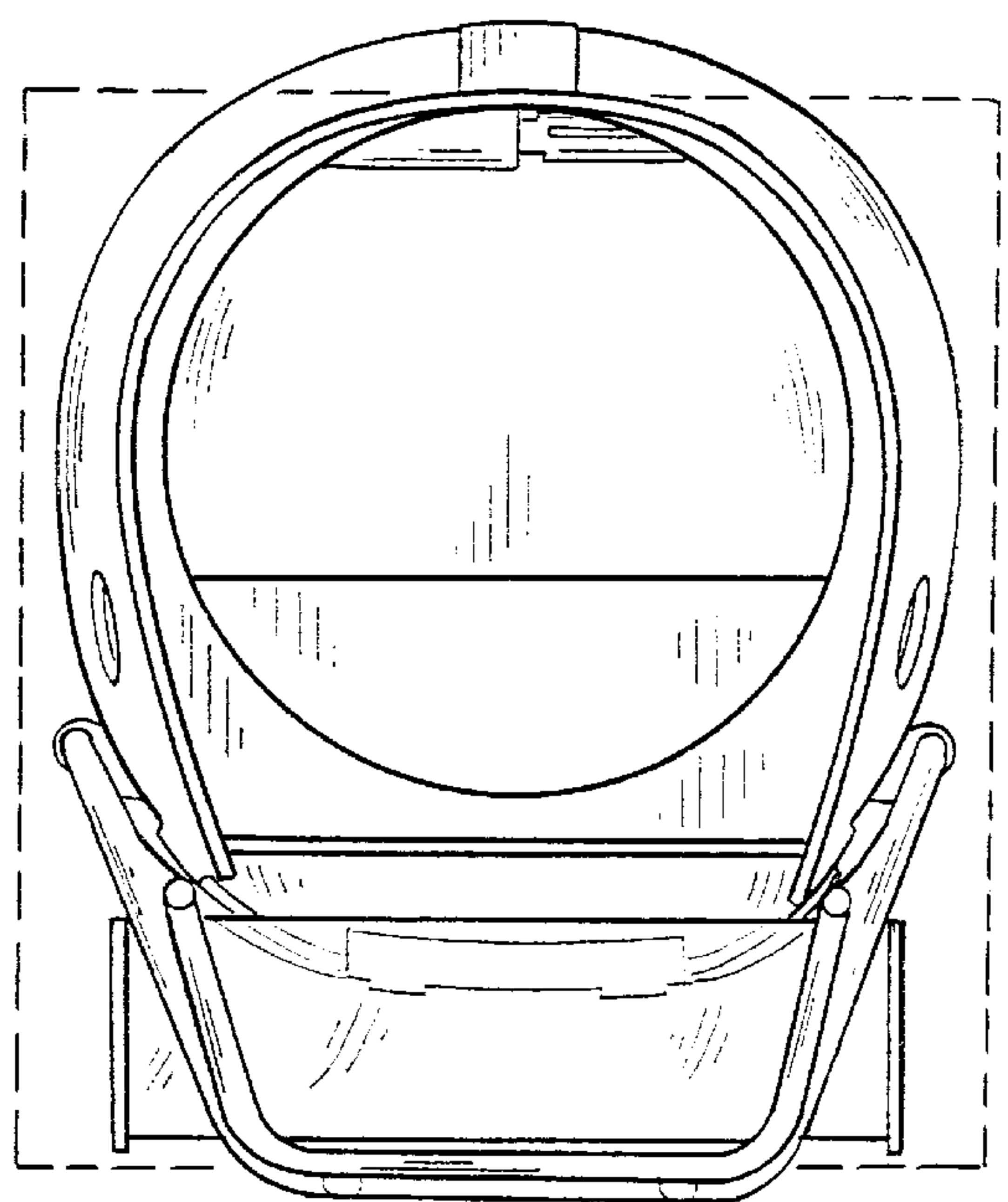


FIG. 12