



US00D418287S

# United States Patent [19] Moor

[11] **Patent Number: Des. 418,287**  
[45] **Date of Patent: \*\* Jan. 4, 2000**

[54] **CASE FOR A COMPACT DISK PLAYER AND HEADPHONES**

[75] Inventor: **Marc L. Moor**, Oakwood, Ohio

[73] Assignee: **The Mead Corporation**, Dayton, Ohio

[\*\*] Term: **14 Years**

[21] Appl. No.: **29/096,318**

[22] Filed: **Nov. 10, 1998**

[51] **LOC (7) Cl.** ..... **03-01**

[52] **U.S. Cl.** ..... **D3/201; D3/215; D3/218;**  
**D6/407; D6/632; D6/633**

[58] **Field of Search** ..... **D3/201-215; D6/407,**  
**D6/408, 626-635; 150/107; 206/307.1,**  
**308, 308.1, 308.2, 308.3, 310, 311, 387.1**

[56] **References Cited**

**U.S. PATENT DOCUMENTS**

D. 236,554	8/1975	Sands	.....	D6/632
D. 298,286	11/1988	Mastronardo	.....	D6/633
D. 317,079	5/1991	Schmidt et al.	.....	D6/631
D. 331,839	12/1992	Patrick	.	
D. 337,652	7/1993	Vierra	.....	D6/633
D. 394,579	5/1998	Kazanowski	.....	D6/630
3,158,300	11/1964	Withee	.	
3,734,282	5/1973	Rebold	.	
3,896,929	7/1975	Mills	.....	206/387.1
4,141,401	2/1979	Hindemit	.	

4,249,663	2/1981	Hewlett	.
4,463,789	8/1984	Leiserson	.
4,489,770	12/1984	Reich, II	.
4,549,589	10/1985	Nguyen	.
4,724,791	2/1988	McSorley	.
4,842,032	6/1989	Mastronardo	.
5,212,734	5/1993	Tsao	.
5,322,162	6/1994	Melk	.
5,570,824	11/1996	Lyon et al.	.

*Primary Examiner*—Celia Murphy  
*Attorney, Agent, or Firm*—Thompson Hine & Flory LLP

[57] **CLAIM**

I claim an ornamental design for a case for a compact disk player and headphones, as shown and described.

**DESCRIPTION**

FIG. 1 is a perspective view of a case for compact disk and headphones showing my new design, the broken lines shown in FIGS. 1, 3, and 4 being understood to represent stitching;

FIG. 2 is a front elevational view thereof;

FIG. 3 is a side elevational view thereof;

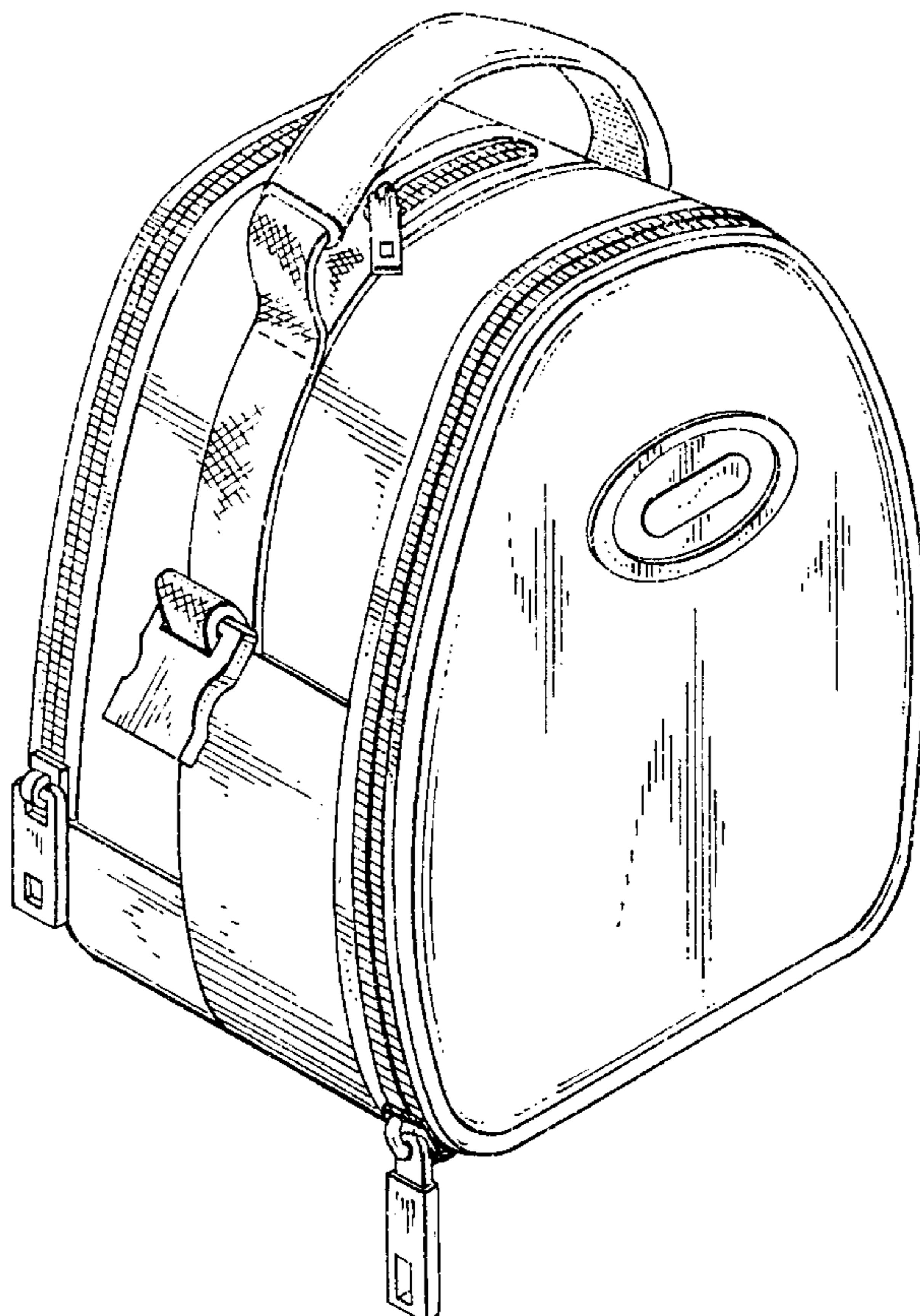
FIG. 4 is a side elevational view of the opposing side thereof;

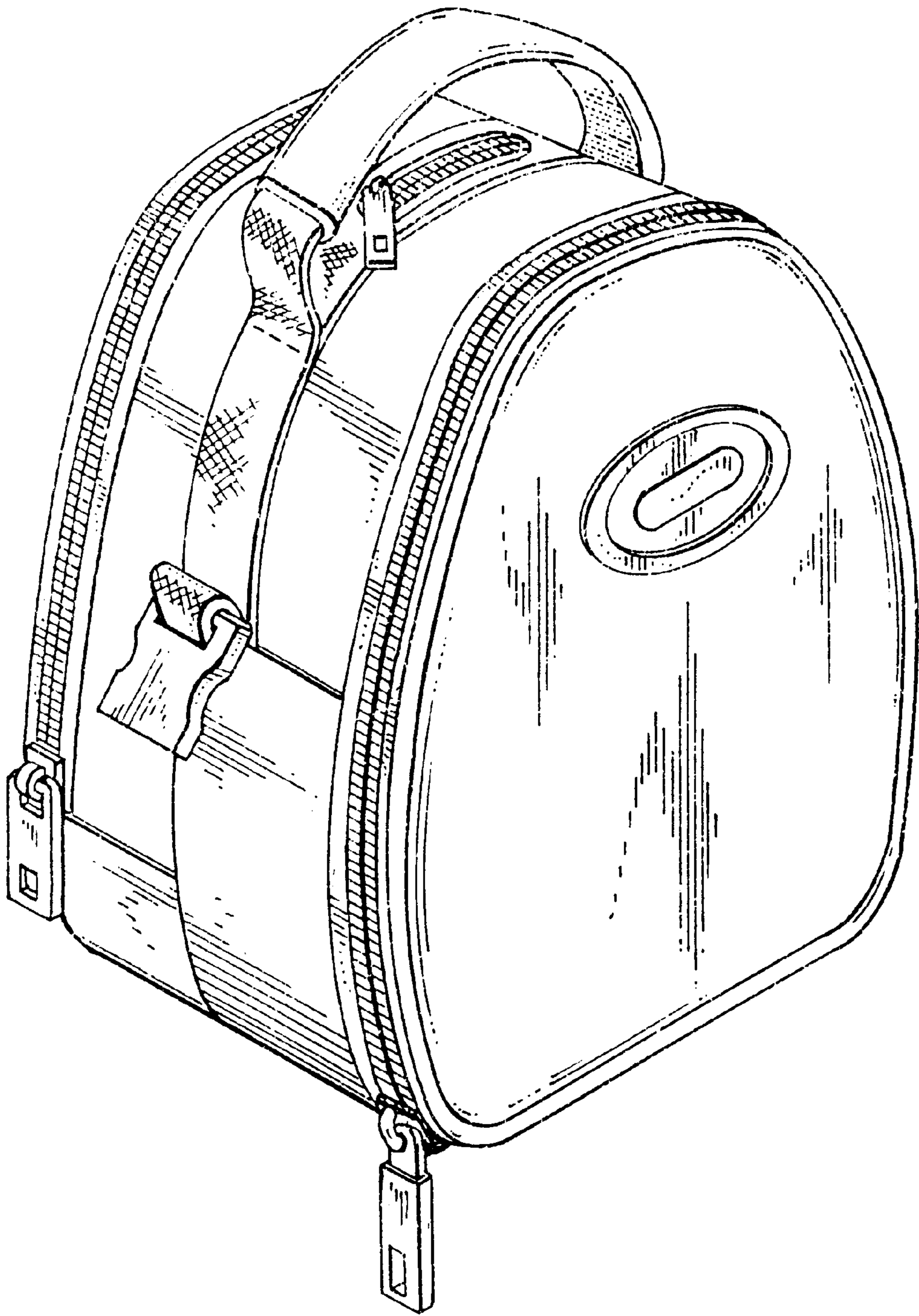
FIG. 5 is a rear elevation view thereof;

FIG. 6 is a top plan view thereof; the handle shown broken away for ease of understanding; and,

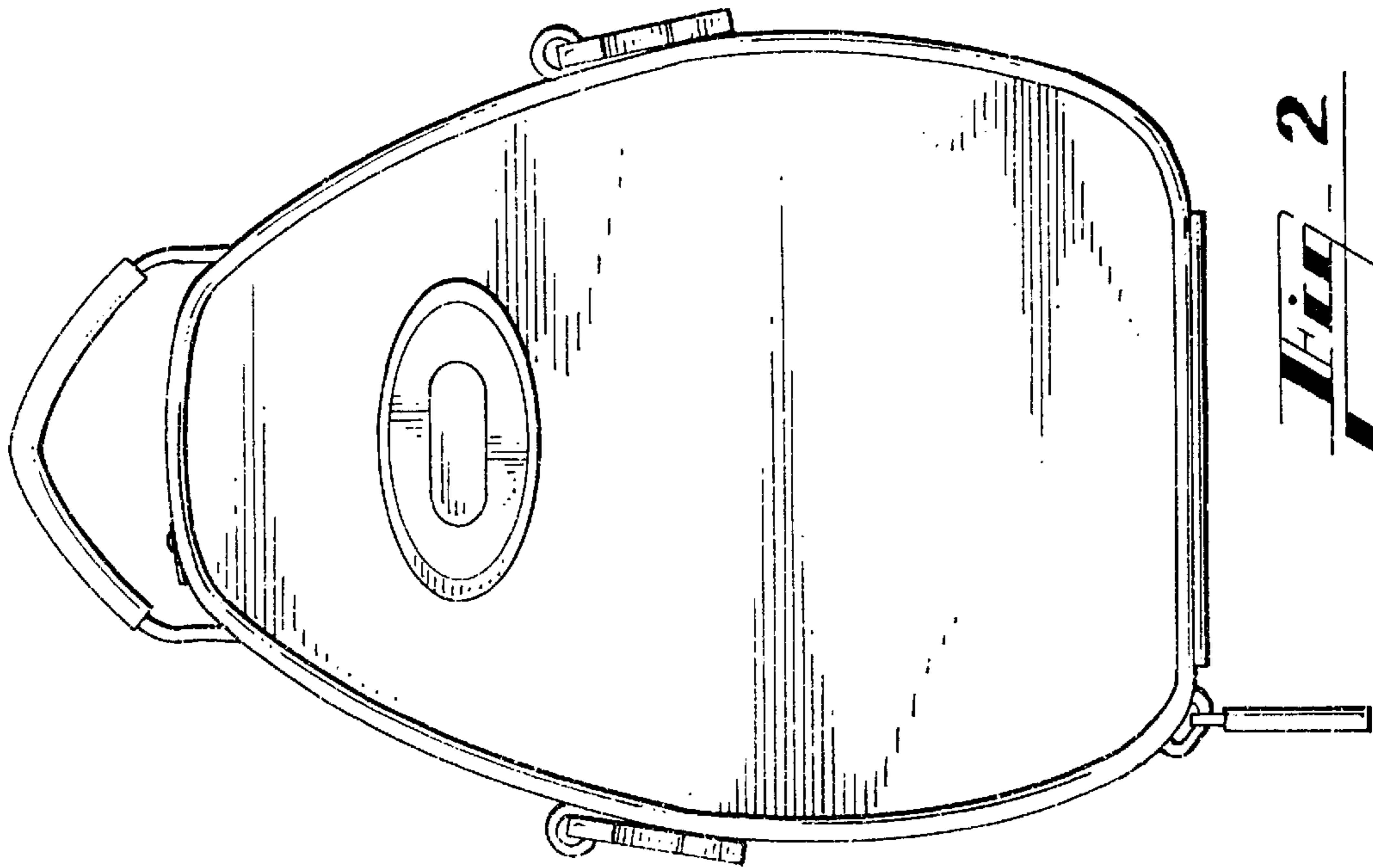
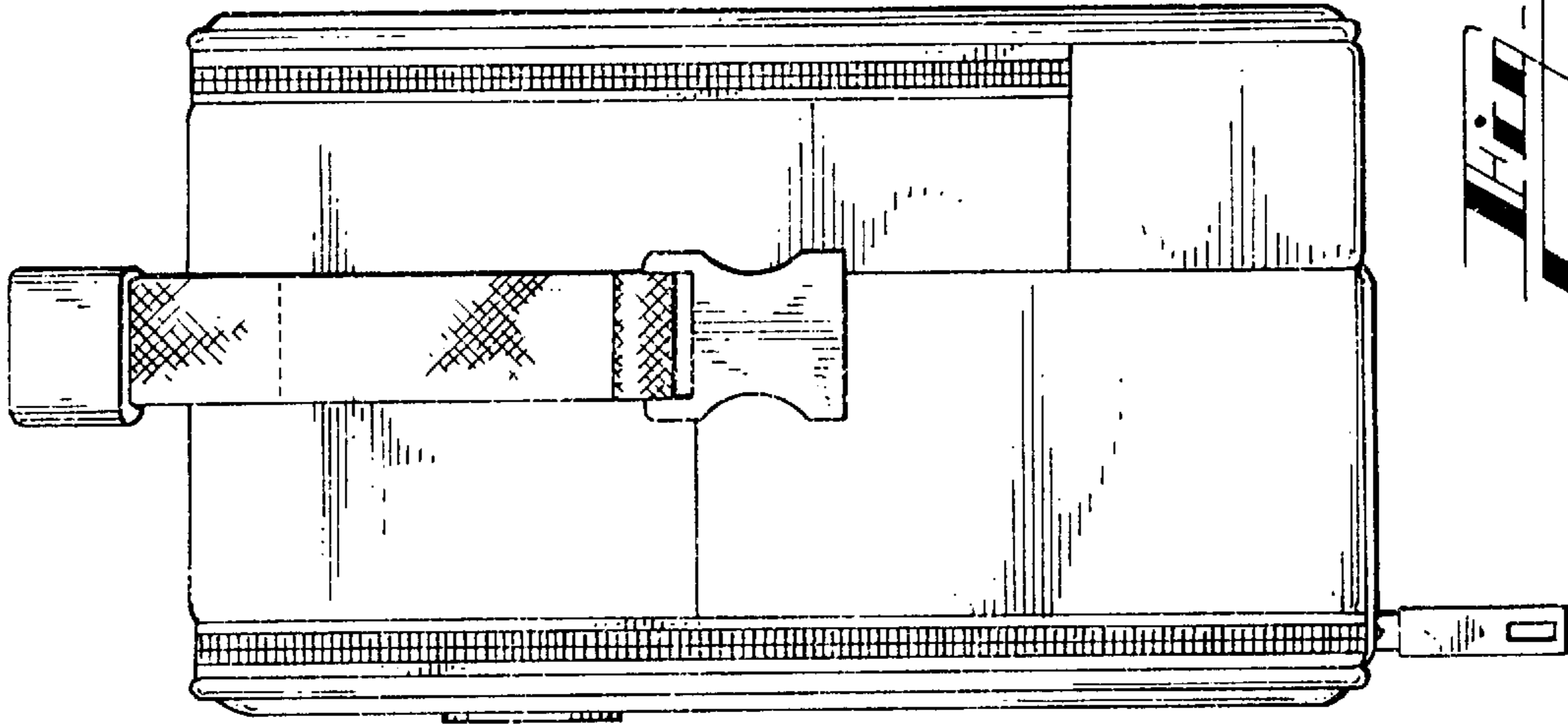
FIG. 7 is a bottom plan view thereof.

**1 Claim, 4 Drawing Sheets**

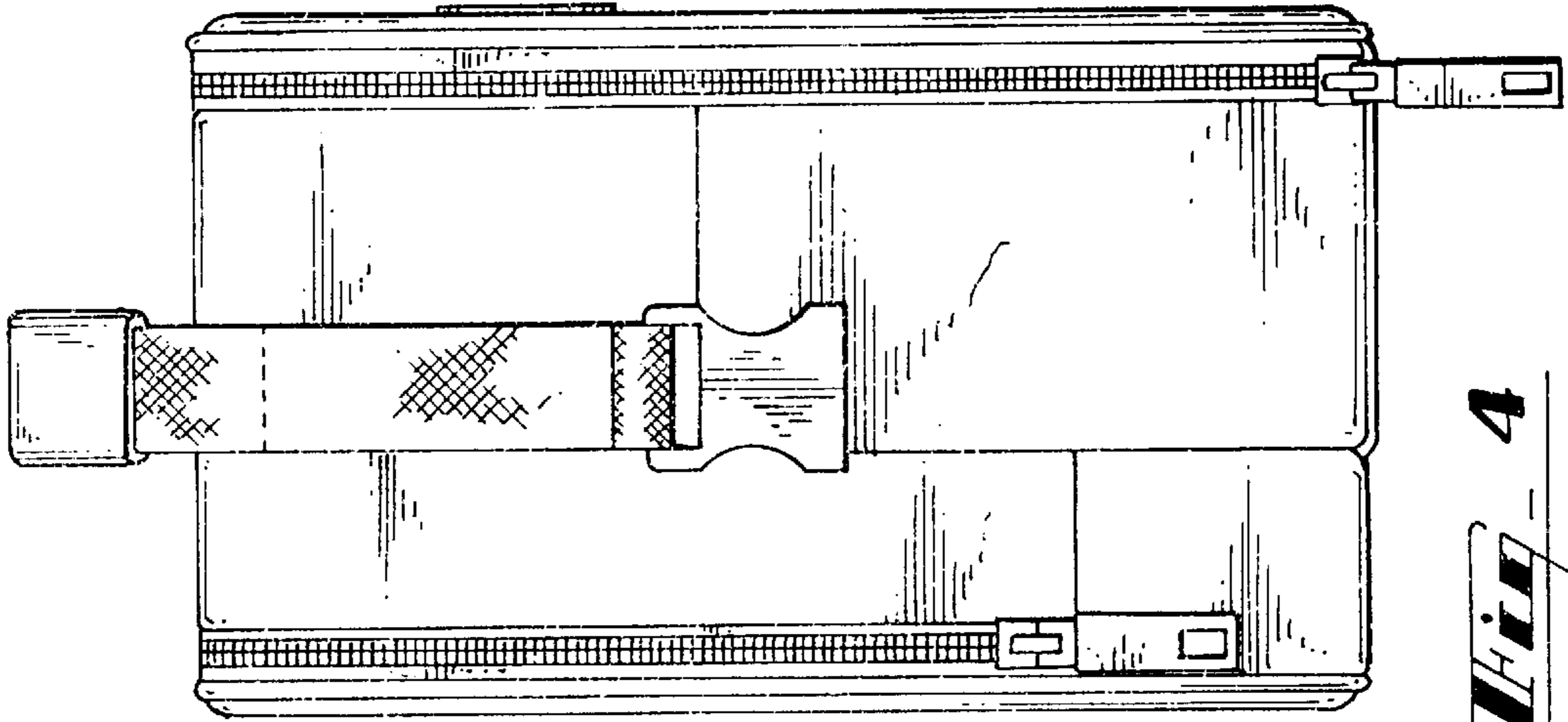




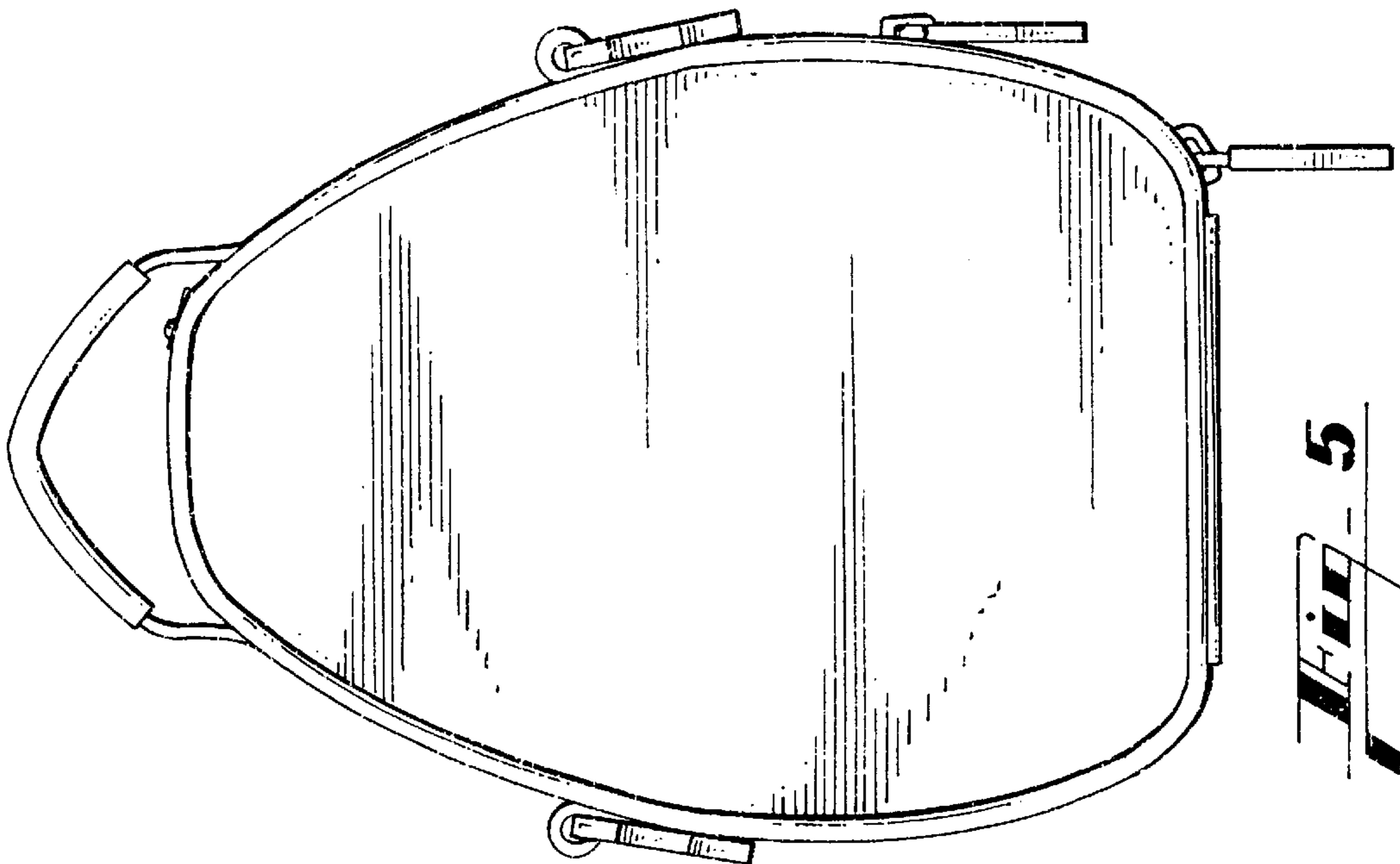
**Fig. 1**



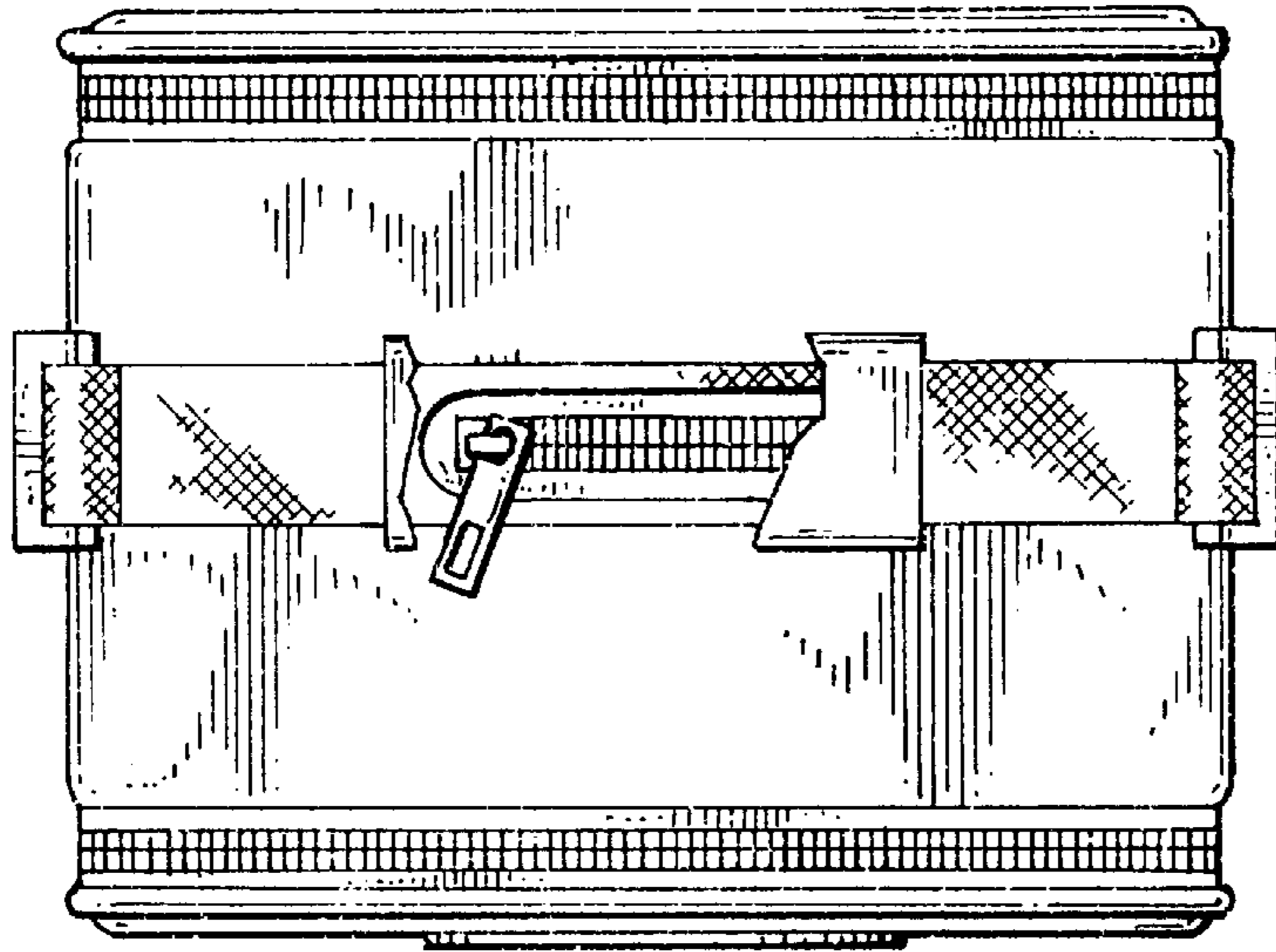




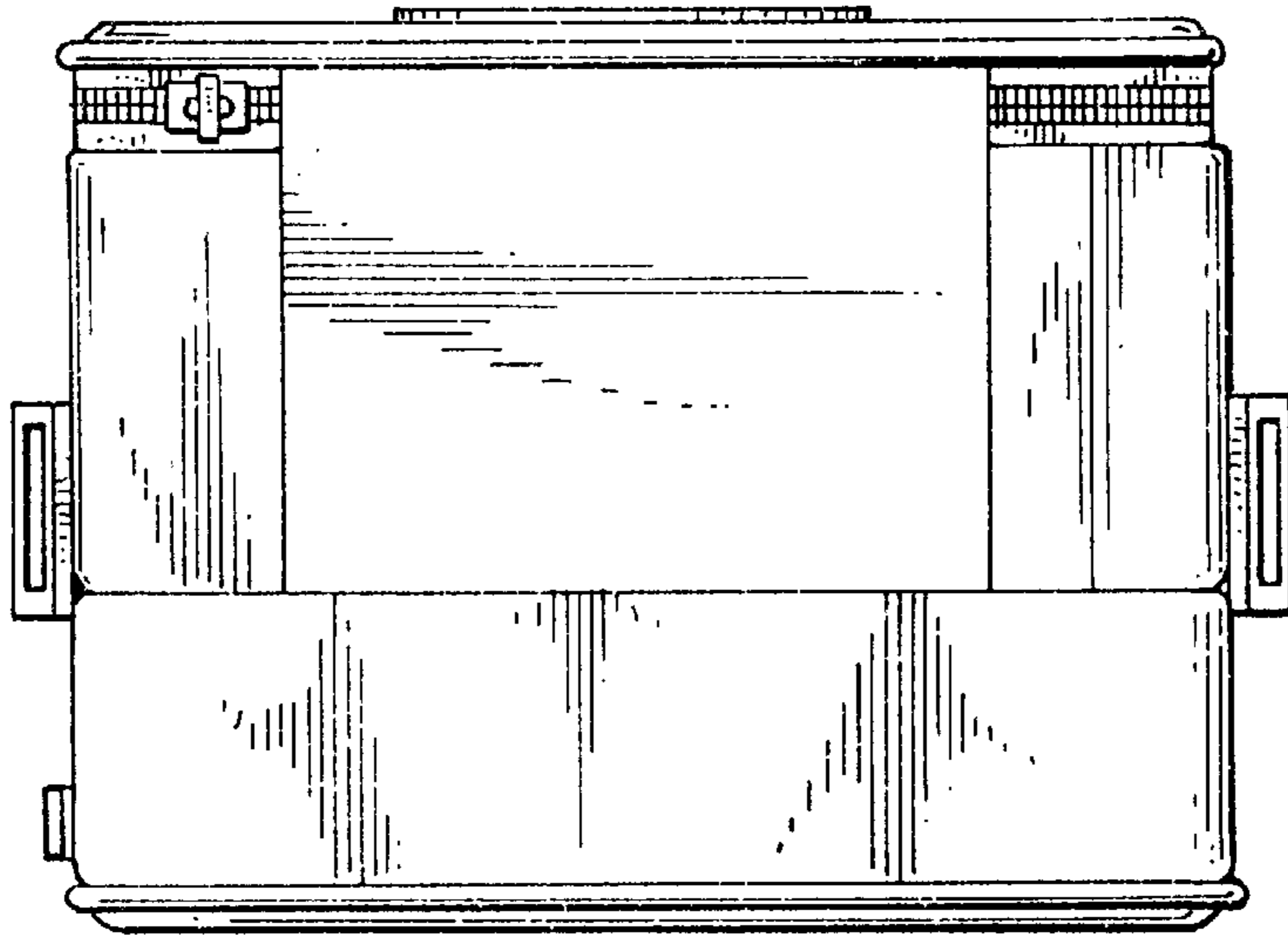
**FIG. 4**



**FIG. 5**



*Fig. 6*



*Fig. 7*