



US00D418285S

United States Patent [19]
Boyer

[11] **Patent Number: Des. 418,285**
[45] **Date of Patent: ** Jan. 4, 2000**

[54] **ELEMENT OF A FOOTWEAR UPPER**

[75] Inventor: **Joseph D. Boyer**, Newington, N.H.

[73] Assignee: **The Timberland Company**, Stratham, N.H.

[**] Term: **14 Years**

[21] Appl. No.: **29/086,950**

[22] Filed: **Apr. 23, 1998**

[51] **LOC (7) Cl.** **02-99**

[52] **U.S. Cl.** **D2/977; D2/976**

[58] **Field of Search** D2/896, 902, 901,
D2/909, 910, 969, 972, 973, 977, 976,
946; 36/1, 78, 83, 113, 126-131, 45, 50.1,
137

[56] **References Cited**

U.S. PATENT DOCUMENTS

D. 53,233	4/1919	Benedetti	D2/976
D. 376,472	12/1996	Hatfield	D2/976
D. 377,561	1/1997	McClelland	D2/977
2,233,544	3/1941	McKinley	36/137
2,996,815	8/1961	Vizard	36/78
3,113,388	12/1963	Rubico	36/78
5,720,121	2/1998	Barker	36/137

Primary Examiner—Dominic Simone
Attorney, Agent, or Firm—Orrick, Herrington & Sutcliffe, LLP

[57] **CLAIM**

The ornamental design for an element of a footwear upper, as shown and described.

DESCRIPTION

FIG. 1 is a perspective view of an element of a footwear upper showing my new design, the shoe shown in broken lines for illustrative purposes only and forms no part of the claimed design;

FIG. 2 is a rear elevational view thereof;

FIG. 3 is a front elevational view thereof;

FIG. 4 is a left side elevational view thereof;

FIG. 5 is a right side elevational view thereof;

FIG. 6 is a top plan view thereof;

FIG. 7 is a bottom plan view thereof;

FIG. 8 is a cross-sectional view taken in the direction of the arrows along line 8—8 of FIG. 2;

FIG. 9 is a cross-sectional view taken in the direction of the arrows along line 9—9 of FIG. 4;

FIG. 10 is a cross-sectional view taken in the direction of the arrows along line 10—10 of FIG. 2; and,

FIG. 11 is a cross-sectional view taken in the direction of the arrows along line 11—11 of FIG. 2.

1 Claim, 4 Drawing Sheets

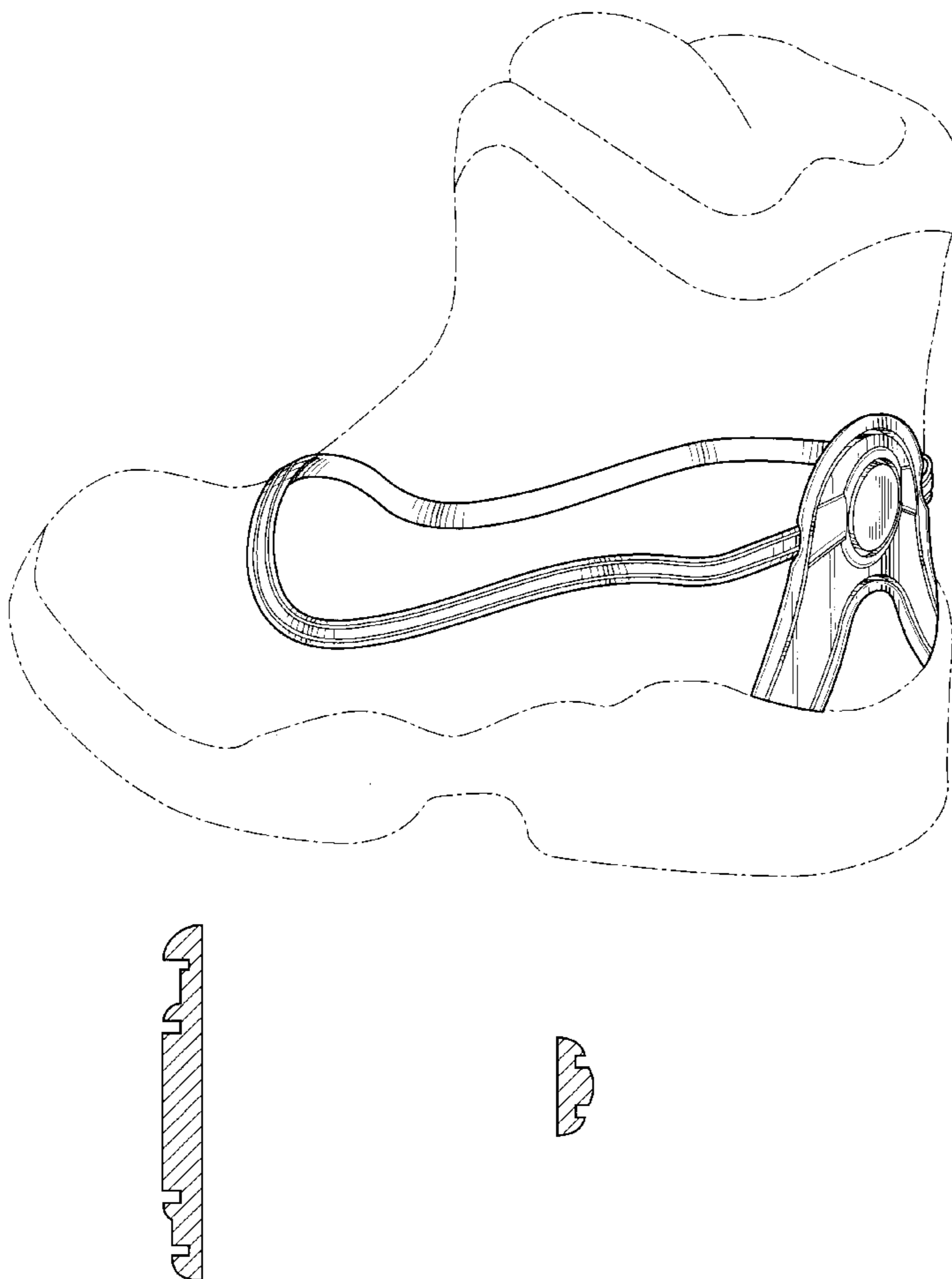


FIG. 1

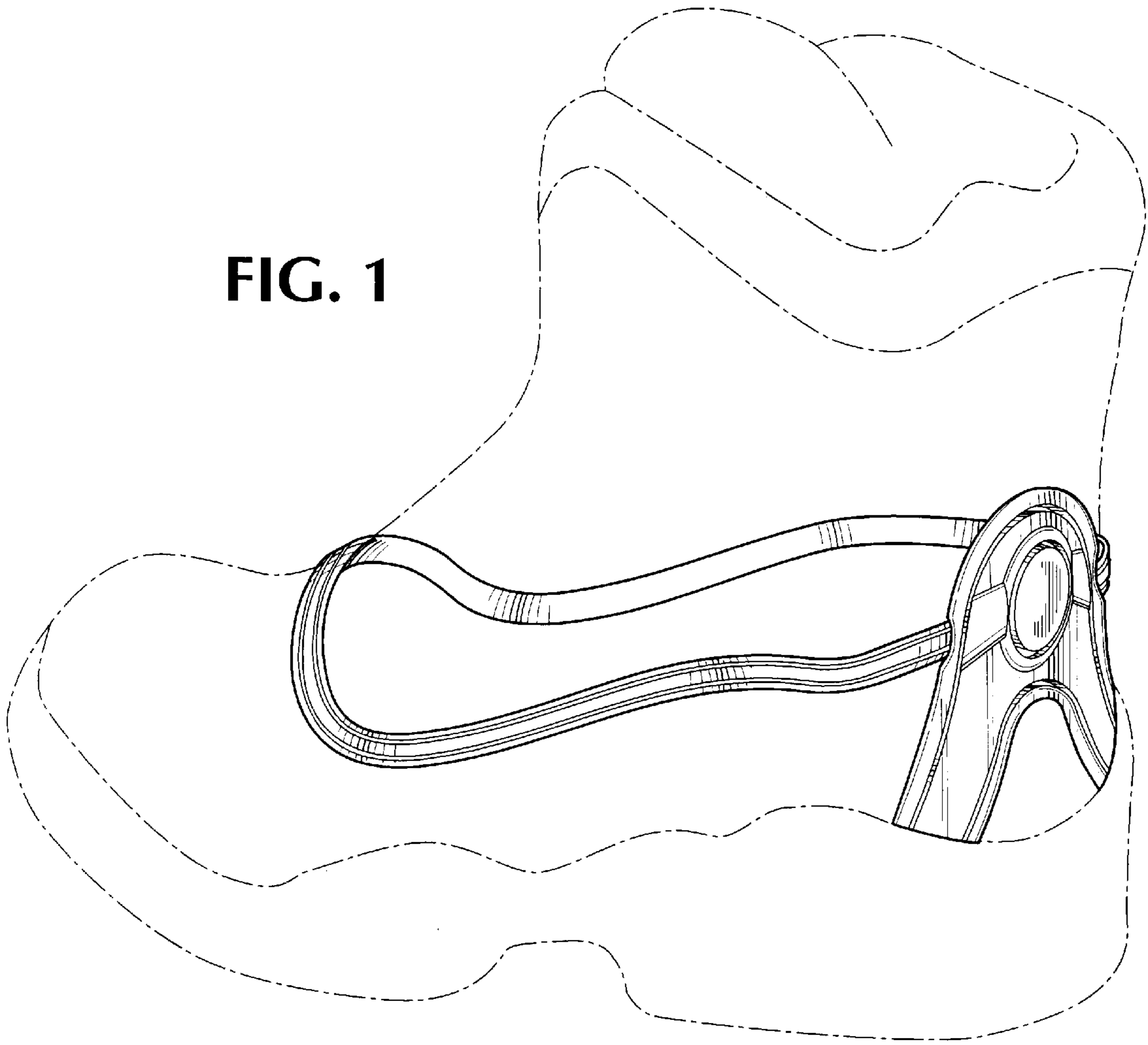


FIG. 10



FIG. 11

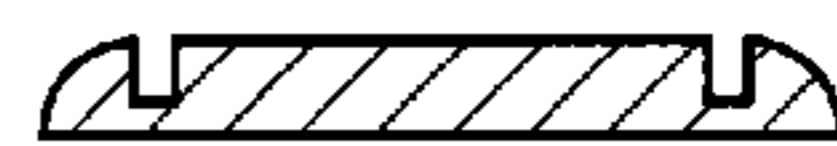


FIG. 2

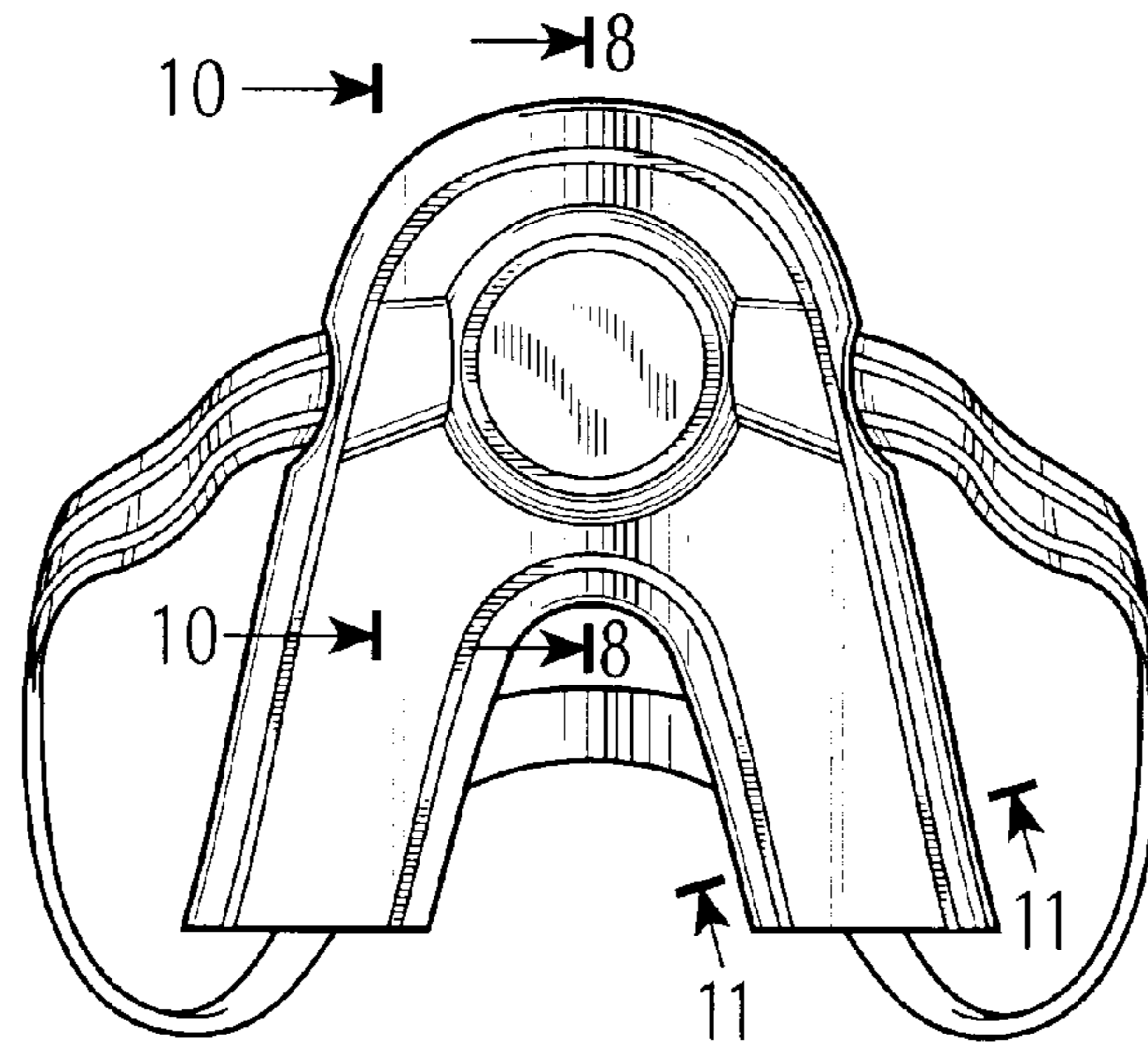


FIG. 3

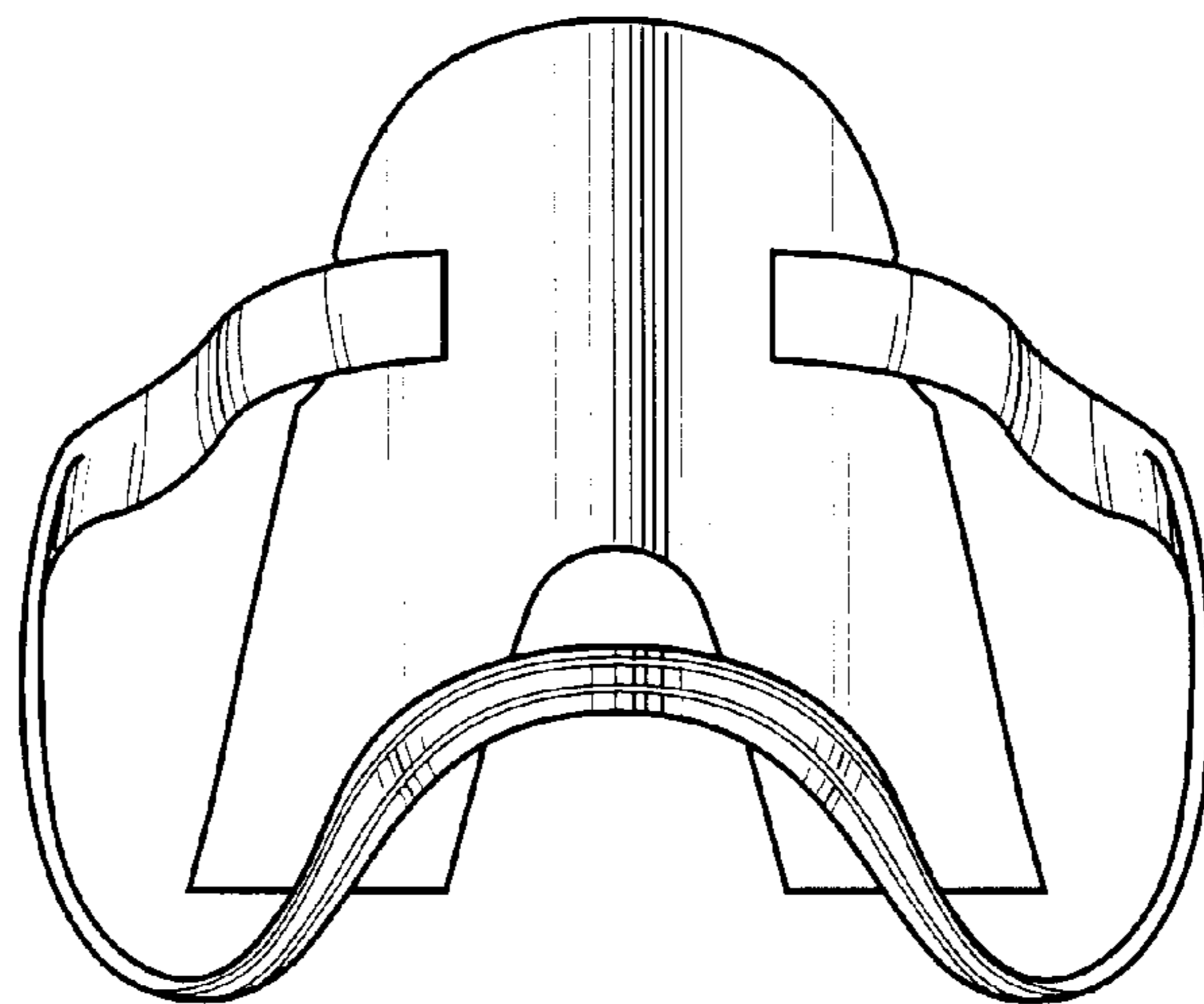


FIG. 4

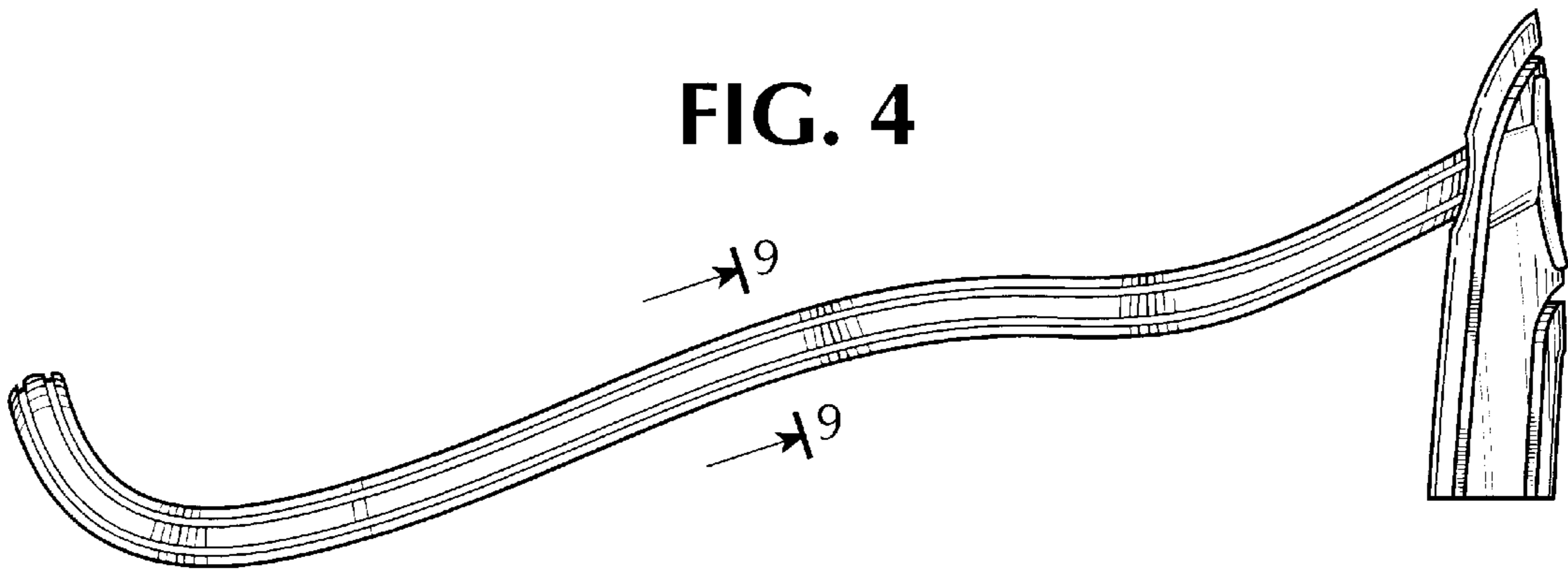


FIG. 5

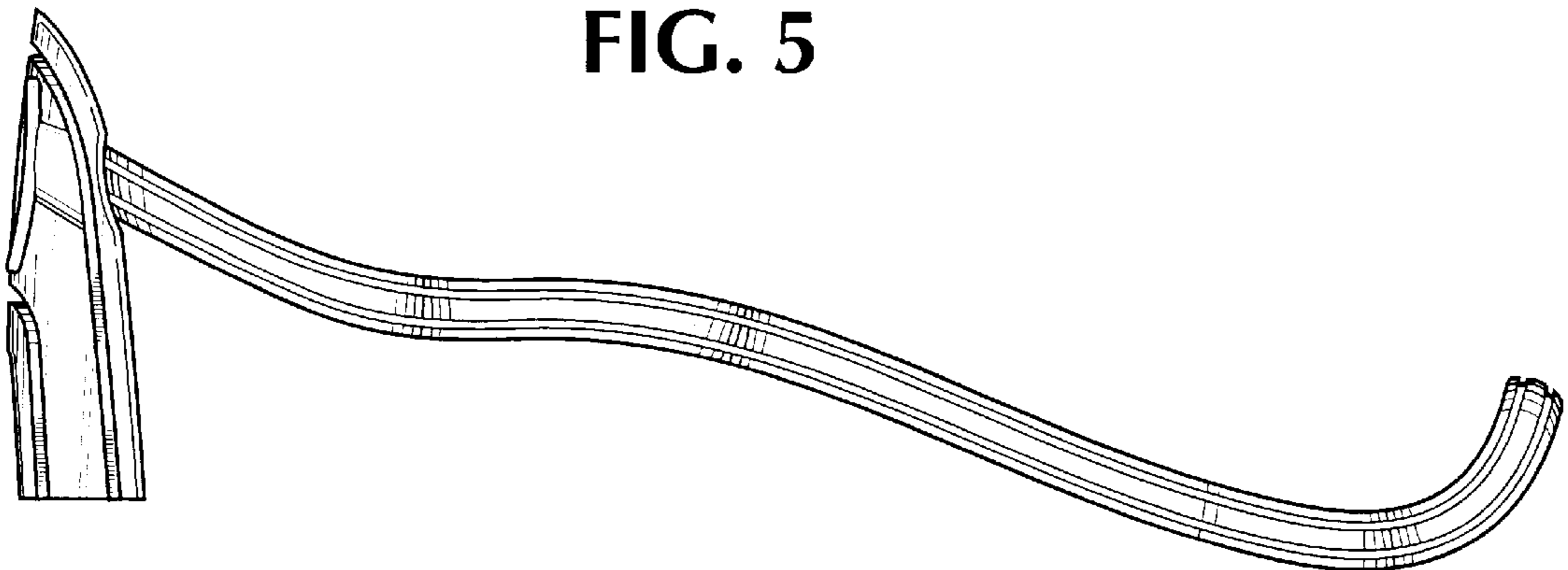


FIG. 8

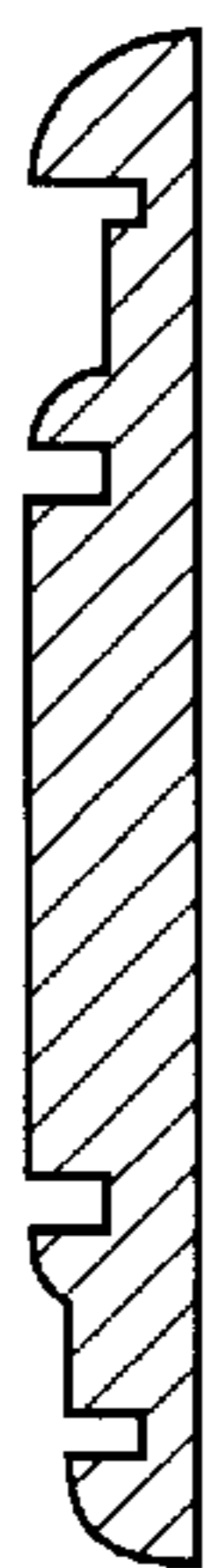


FIG. 9



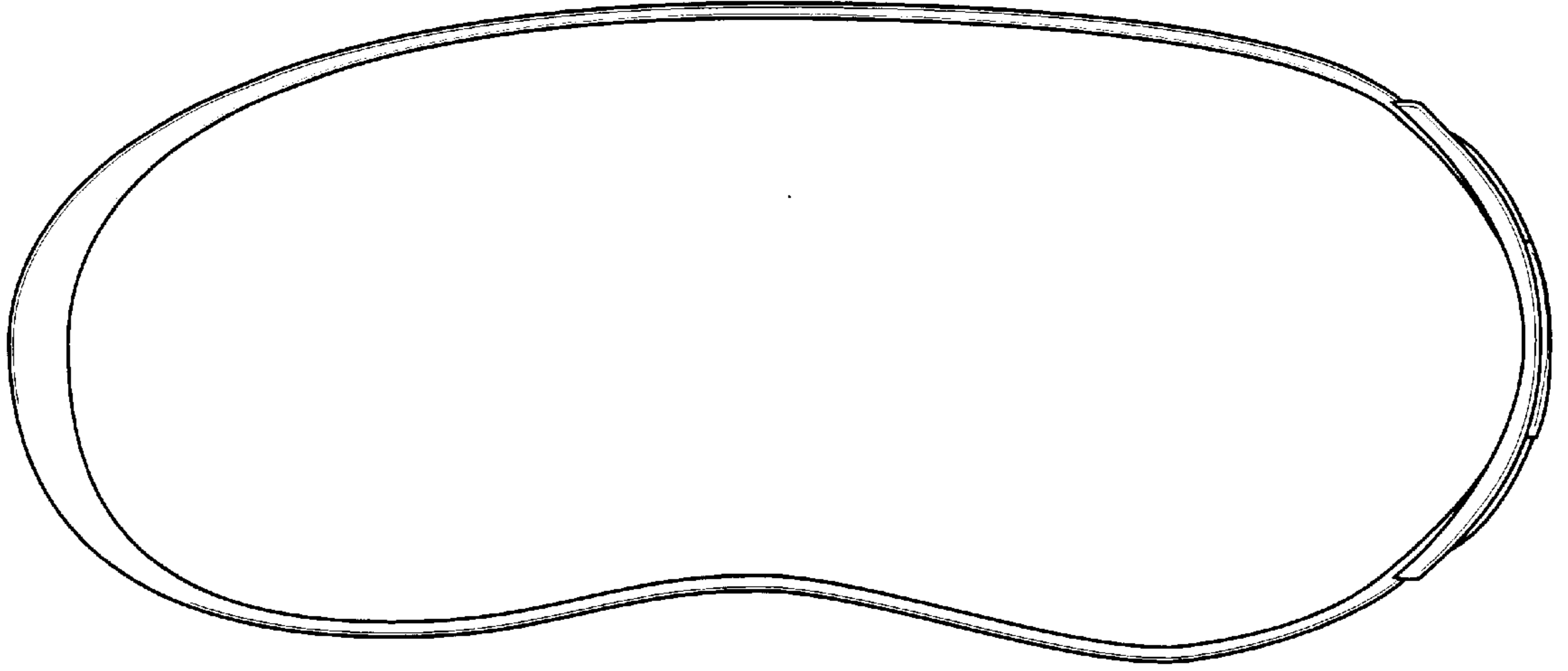


FIG. 7

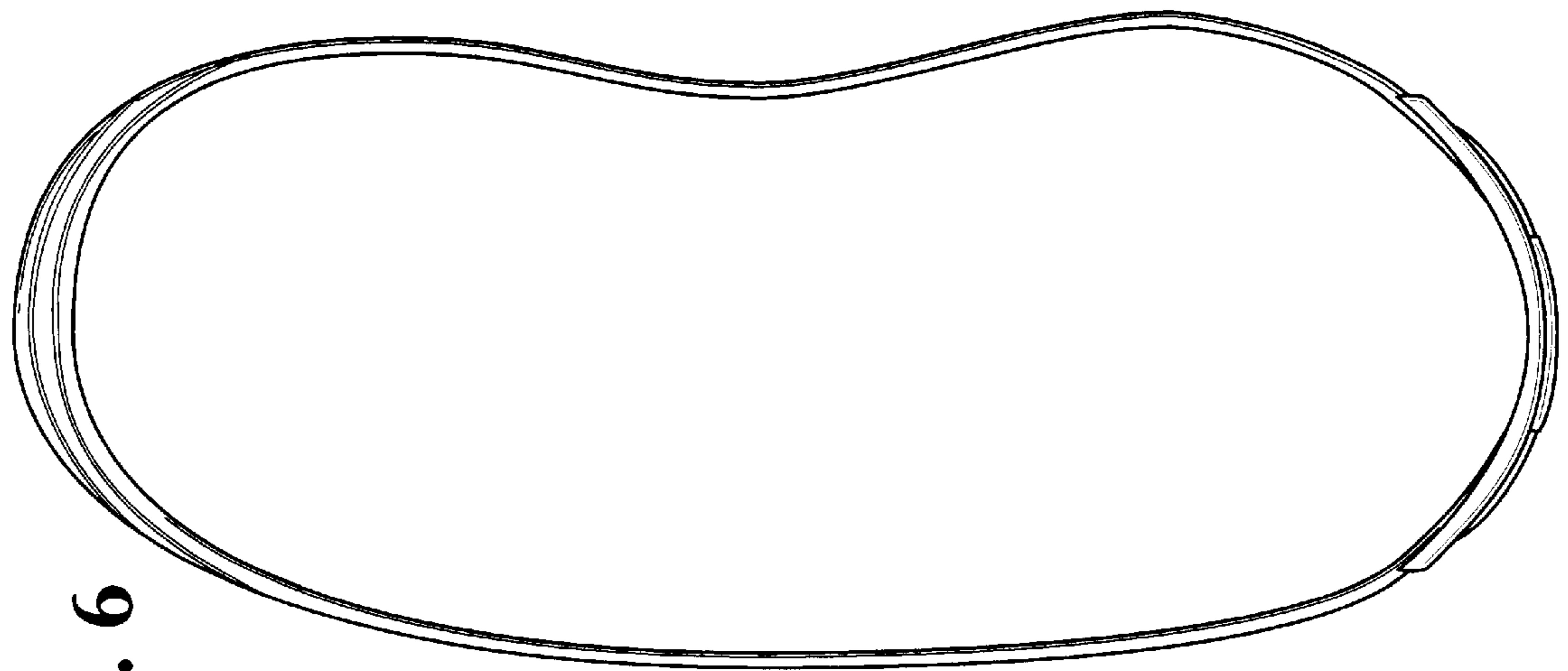


FIG. 6