



US00D418274S

United States Patent [19] Sartel

[11] **Patent Number: Des. 418,274**
[45] **Date of Patent: ** Jan. 4, 2000**

[54] **BELT WITH BUCKLE**

D. 255,061 5/1980 Nichols D2/638
534,256 2/1895 Fosdick 2/312

[75] Inventor: **Vincent du Sartel**, Paris, France

OTHER PUBLICATIONS

[73] Assignee: **Louis Vuitton Malletier, S.A.**, Paris, France

Accessories (Top Belt) p. 142, Nov. 1986.

[**] Term: **14 Years**

Primary Examiner—Paula A. Mortimer
Attorney, Agent, or Firm—Finnegan, Henderson, Farabow, Garrett & Dunner, L.L.P.

[21] Appl. No.: **29/100,860**

[22] Filed: **Feb. 19, 1999**

[57] CLAIM

[30] Foreign Application Priority Data

The ornamental design for a belt with buckle, as shown and described.

Aug. 21, 1998 [FR] France DM/044933

DESCRIPTION

[51] **LOC (7) Cl.** **02-07**

FIG. 1 is a front perspective view of a belt with buckle showing my new design;

[52] **U.S. Cl.** **D2/627; D2/624**

FIG. 2 is a top plan view thereof, the bottom is a mirror image;

[58] **Field of Search** D2/624, 627, 628, D2/629, 631, 632, 638; D11/200, 201, 212, 222, 226, 228, 231; 24/324; 2/300, 311, 312, 322

FIG. 3 is a front elevational view thereof;

FIG. 4 is a rear elevational view thereof;

FIG. 5 is a side elevational view thereof; and,

FIG. 6 is an opposite side elevational view thereof.

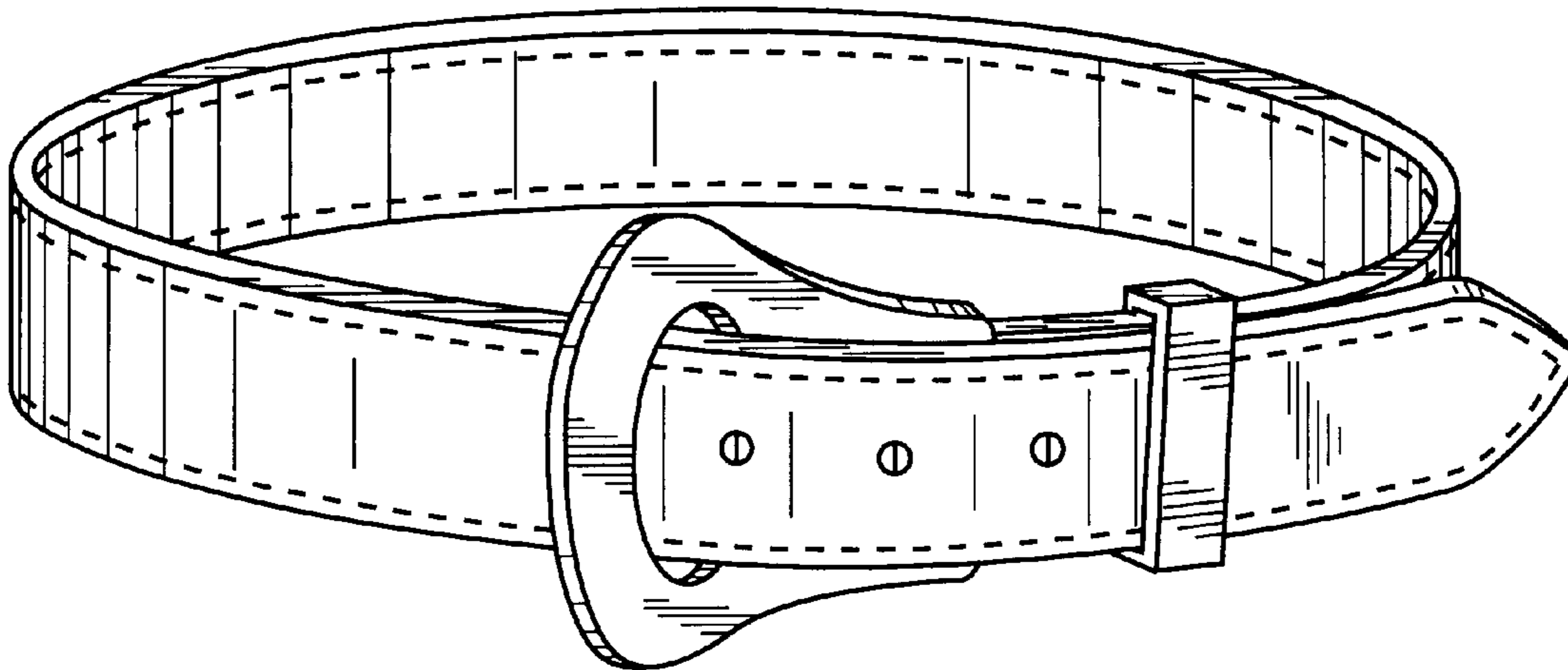
[56] References Cited

The portion of the buckle under the belt and the back of the buckle are plain and unornamented.

U.S. PATENT DOCUMENTS

D. 147,744 10/1947 Cox D2/632
D. 155,430 10/1949 Krasnow D2/632

1 Claim, 2 Drawing Sheets



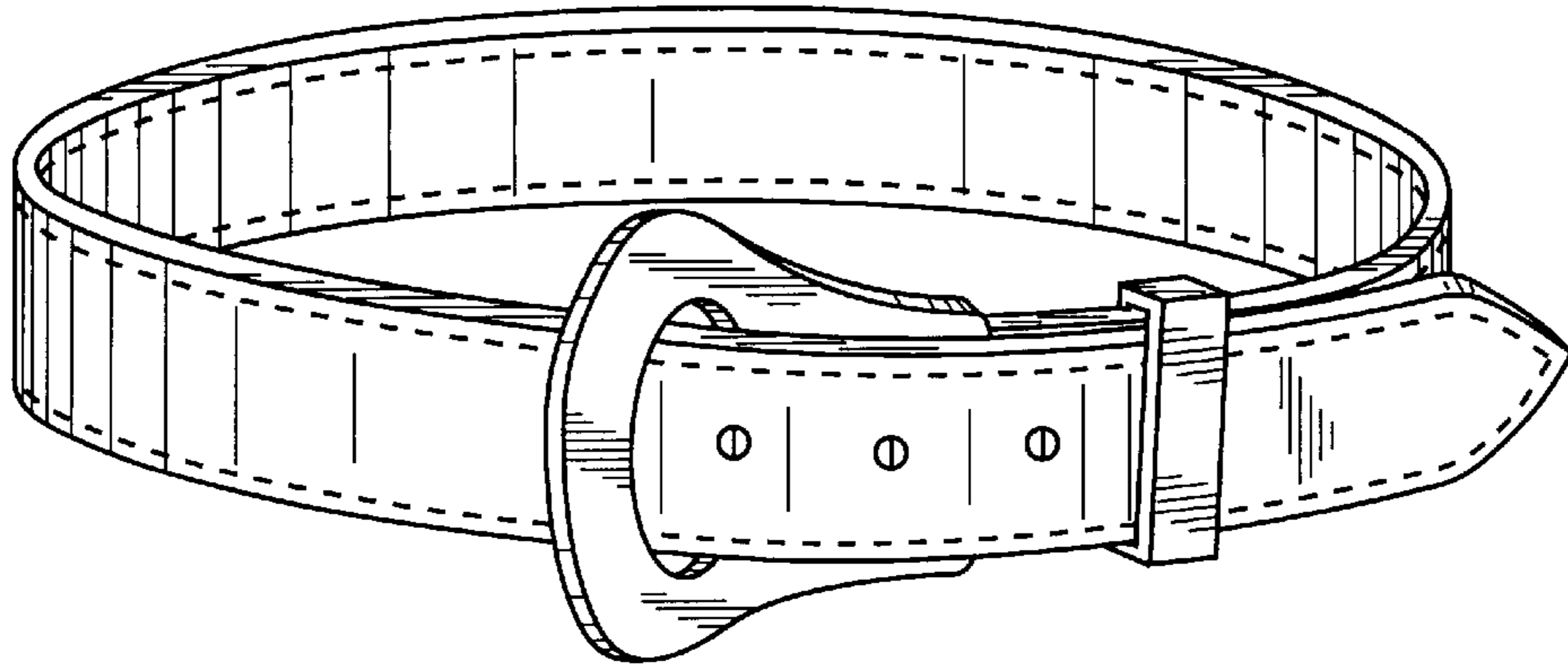


FIG. 1

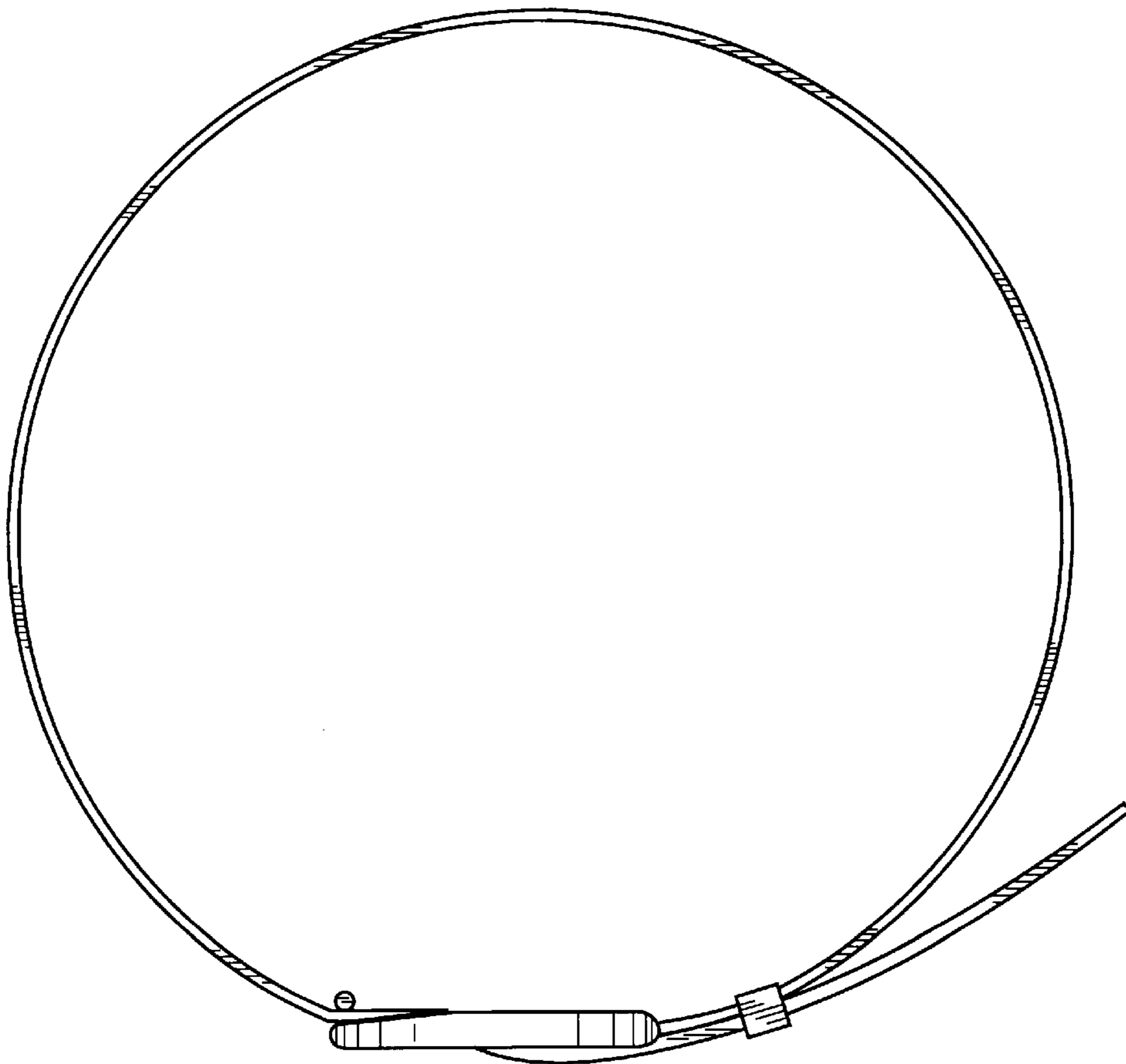


FIG. 2

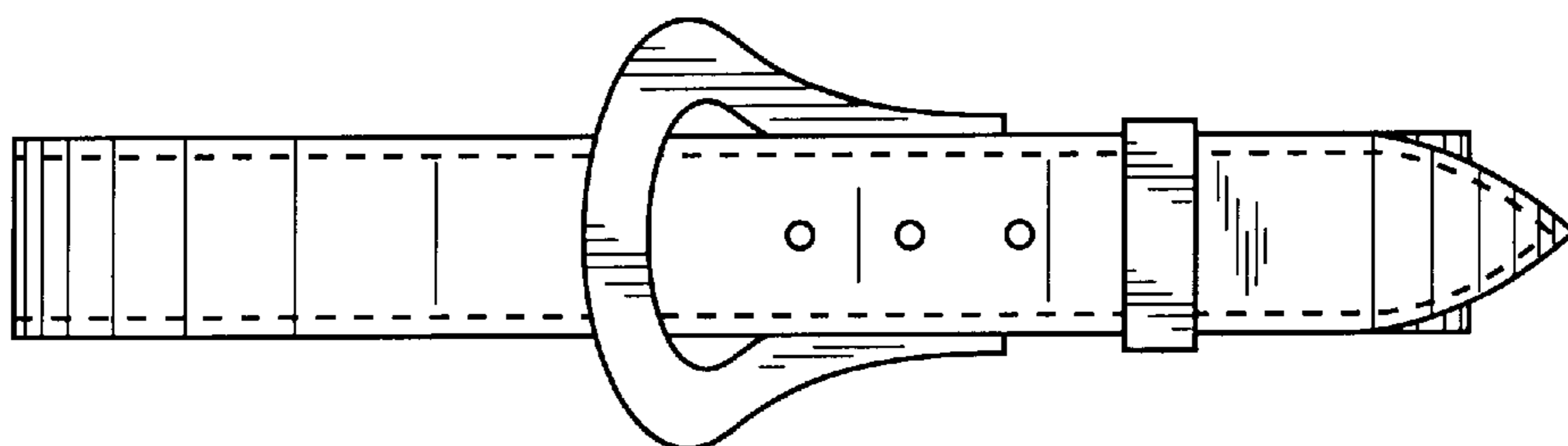


FIG. 3

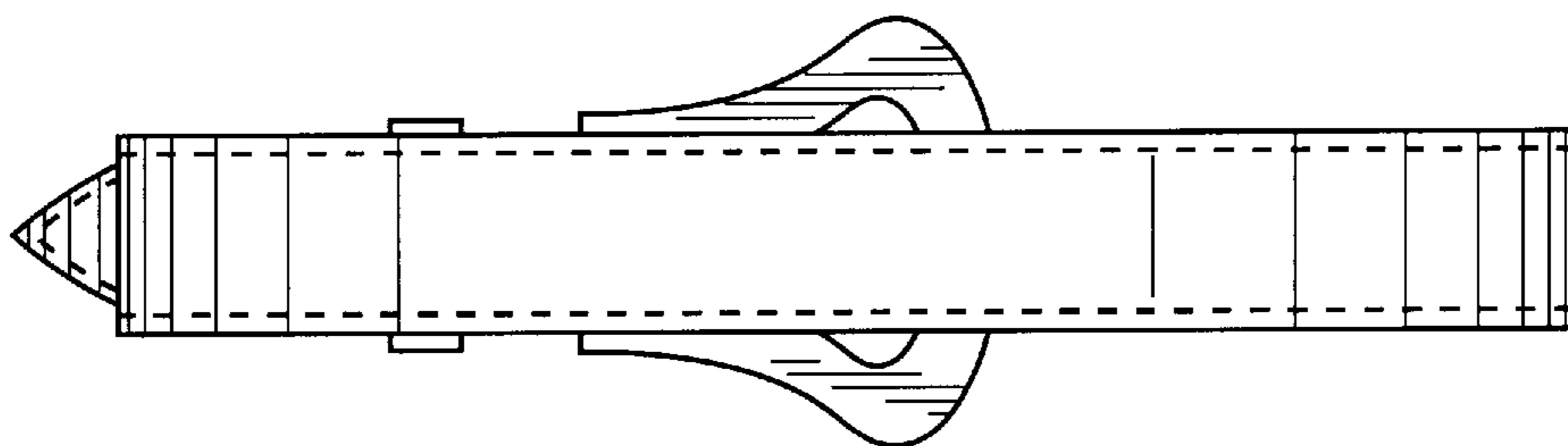


FIG. 4

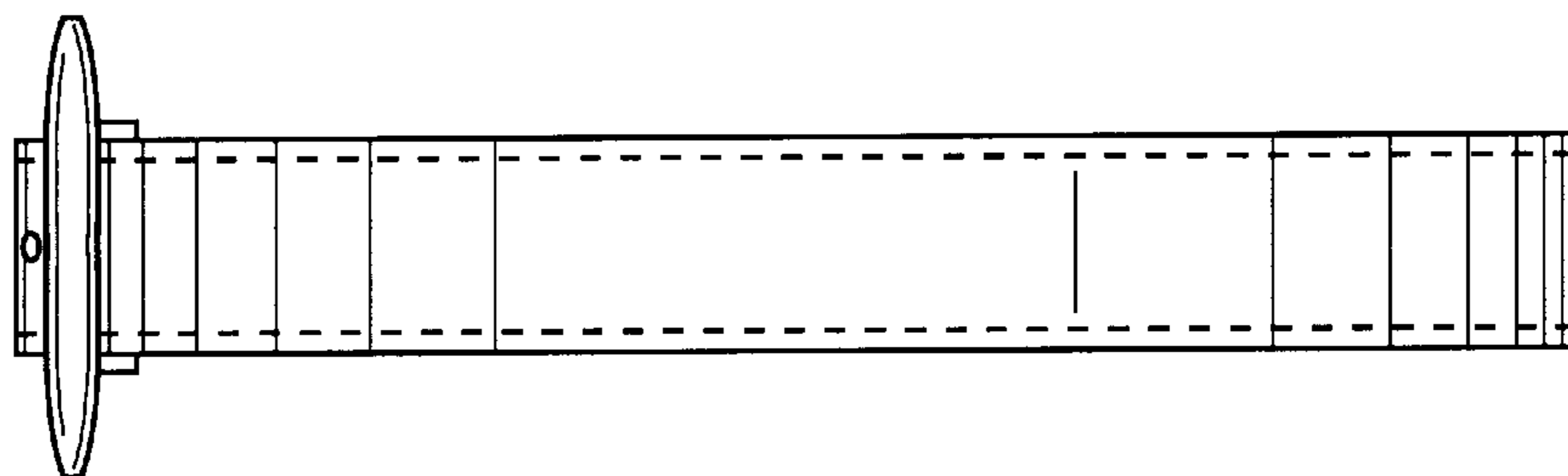


FIG. 5

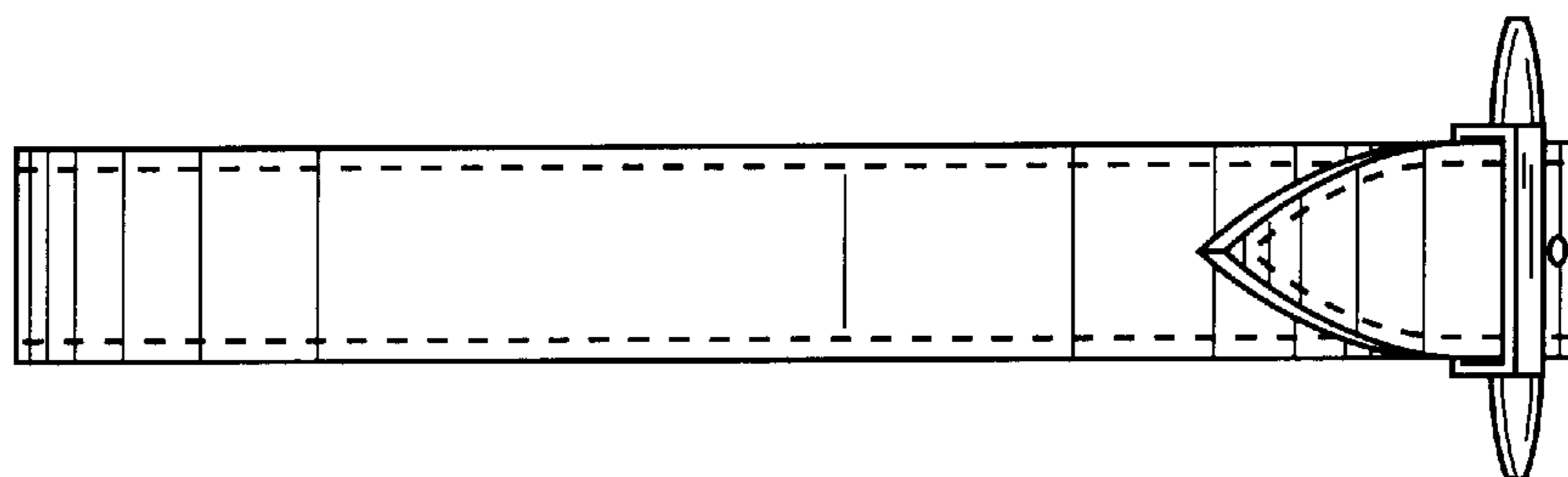


FIG. 6