



US00D418273S

United States Patent [19]
Fulsom

[11] **Patent Number: Des. 418,273**
[45] **Date of Patent: ** Jan. 4, 2000**

[54] **NECKWEAR**

Primary Examiner—Paula A. Mortimer

[76] Inventor: **Matthew Fulsom**, P.O. Box 424,
Haskell, Okla. 74436

[57] **CLAIM**

The ornamental design for a neckwear, as shown and described.

[**] Term: **14 Years**

DESCRIPTION

[21] Appl. No.: **29/099,154**

FIG. 1 is a front elevational view of neckwear showing my new design;

[22] Filed: **Jan. 14, 1999**

FIG. 2 is a back elevational view of the neckwear of FIG. 1; FIG. 3 is a left side elevational view of the neckwear of FIG. 1;

[51] **LOC (7) Cl.** **02-05**

[52] **U.S. Cl.** **D2/602; D2/608; D2/627**

[58] **Field of Search** D2/600, 602, 608, D2/609, 624, 627, 639, 859, 891; 2/236, 237, 232, 269, 338, 124, 125, 115

FIG. 4 is a right side elevational view of the neckwear of FIG. 1;

FIG. 5 is a top plan view of the neckwear of FIG. 1;

FIG. 6 is a bottom plan view of the neckwear of FIG. 1; and,

FIG. 7 is a top, front, right side perspective view of the neckwear of FIG. 1 in use.

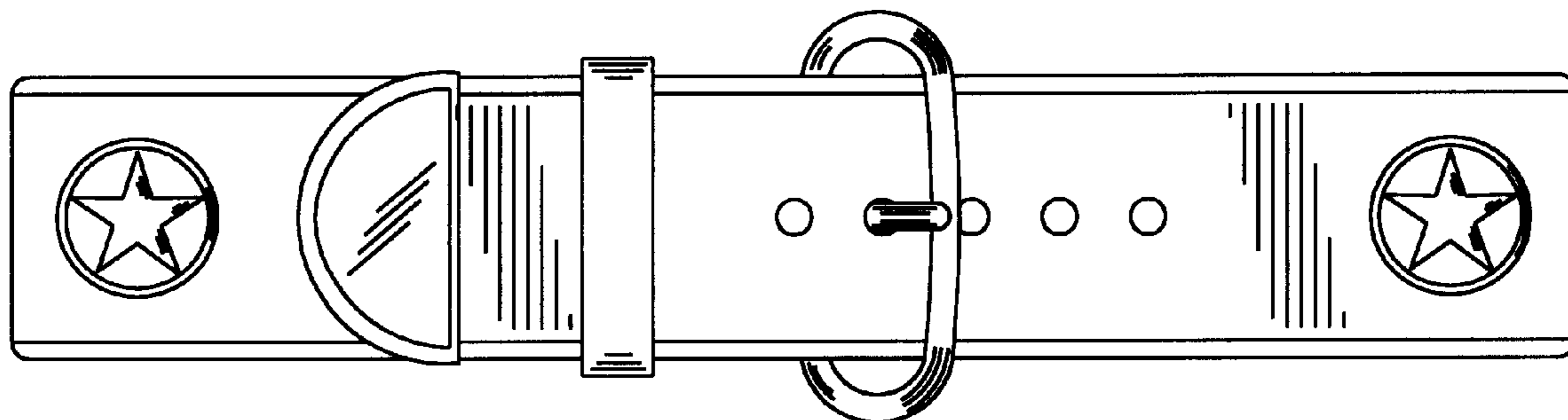
The broken lines showing of a shirt collar in FIG. 7 are for illustrative purposes only and form no part of the claimed design.

[56] **References Cited**

U.S. PATENT DOCUMENTS

D. 382,985	9/1997	Richmond	D2/624
D. 392,436	3/1998	Tassominos	D2/627
2,625,688	1/1953	Kaufman	2/237
4,580,298	4/1986	Tuisl	2/237
5,575,011	11/1996	Allon	2/236

1 Claim, 2 Drawing Sheets



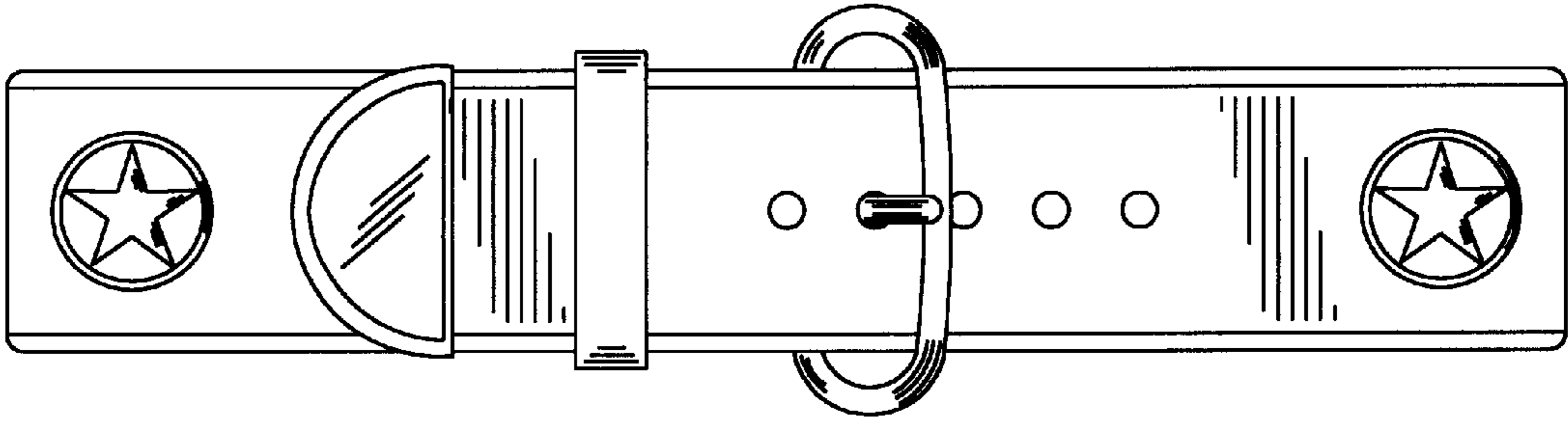


FIG. 1

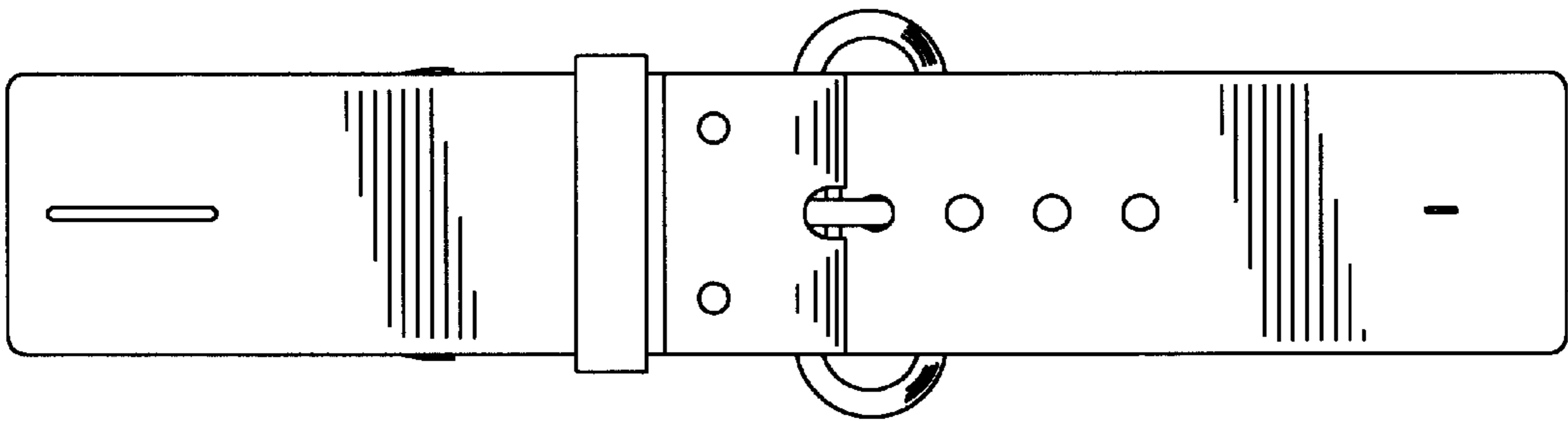


FIG. 2

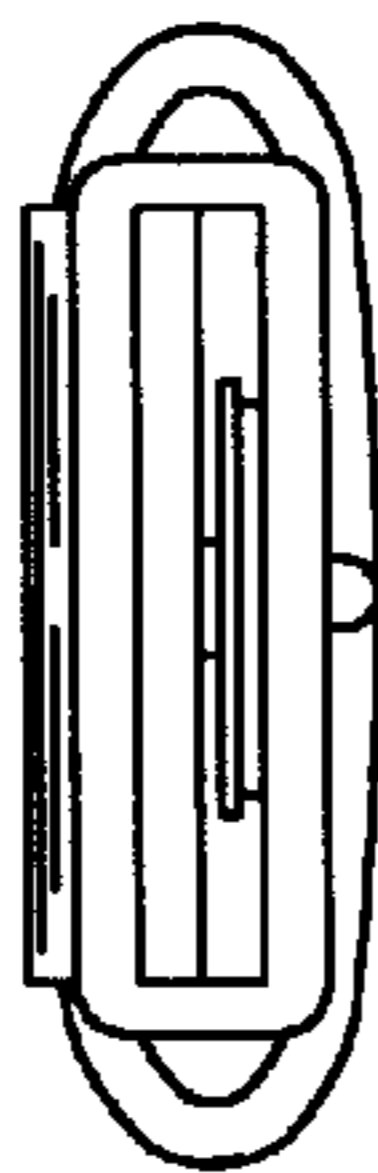


FIG. 3

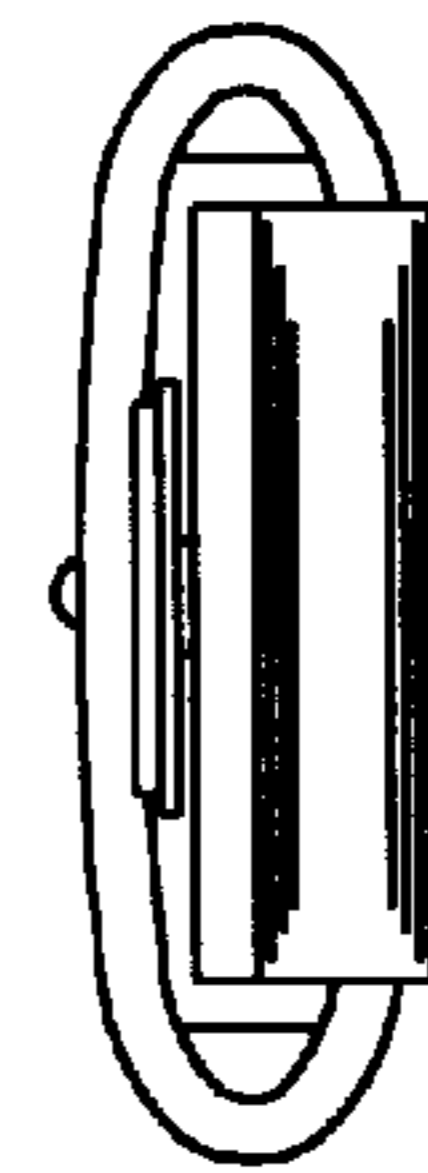


FIG. 4



FIG. 5

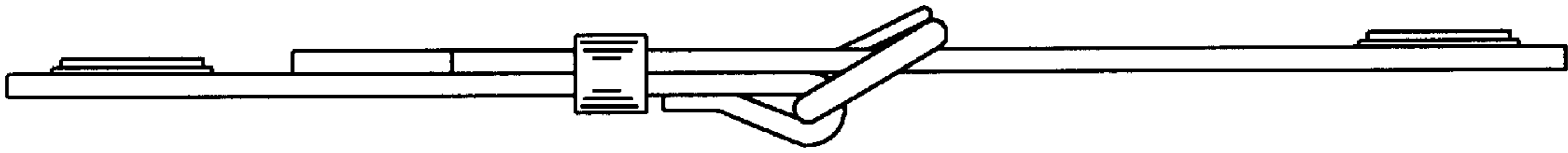


FIG. 6

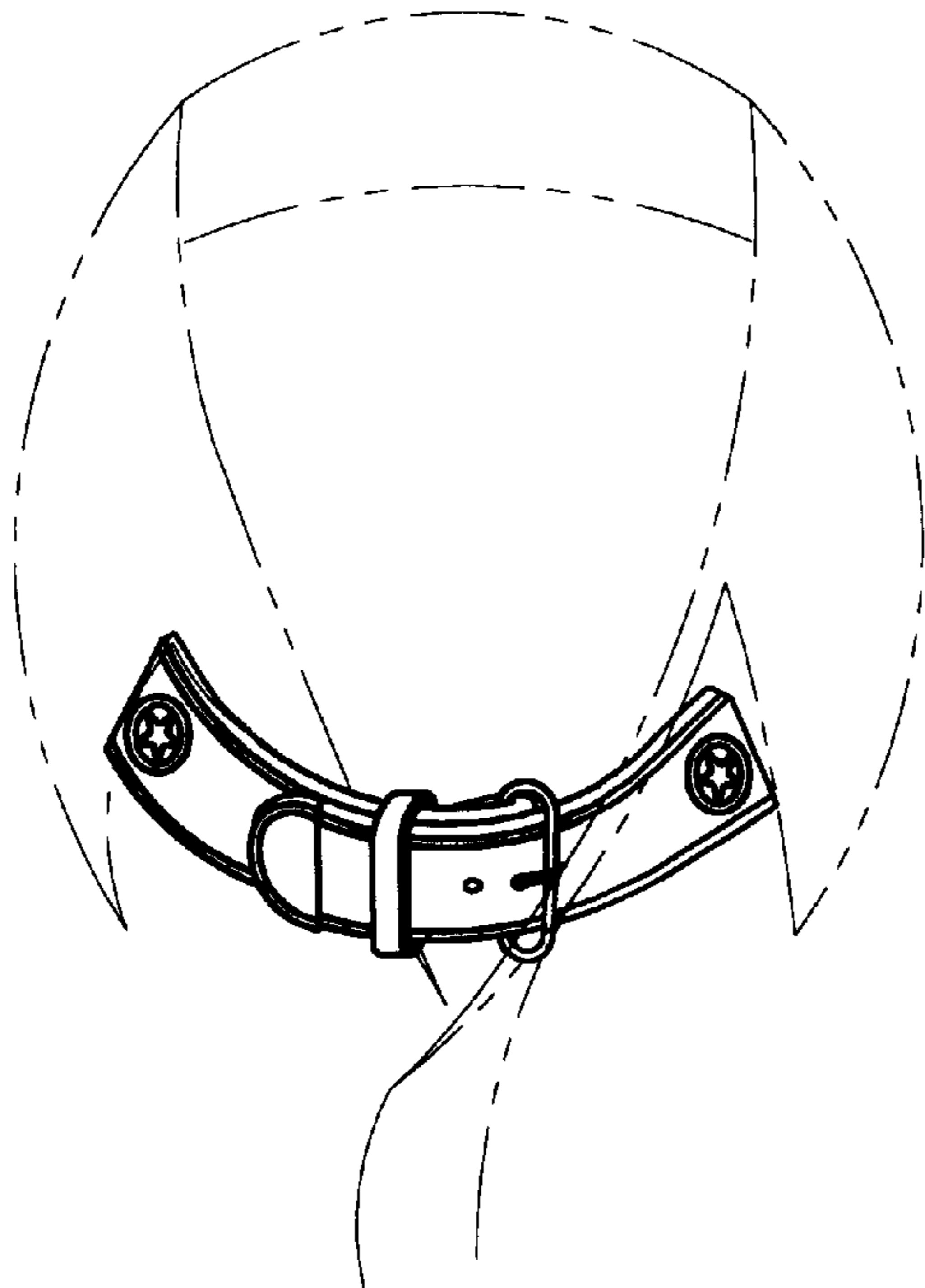


FIG. 7