



US00D418270S

United States Patent [19]

Tisbo et al.

[11] Patent Number: Des. 418,270

[45] Date of Patent: ** Dec. 28, 1999

[54] MOLDED HOSE REEL CART WITH GUIDE

D. 409,813 5/1999 Tisbo et al. D34/24

[75] Inventors: **Thomas A. Tisbo**, Barrington Hills; **Torrence C. Anderson**, Aurora; **Brian R. Moon**, Dekalb; **Michael G. Uffner**, Naperville; **Michael R. Vogler**, Aurora, all of Ill.

Primary Examiner—Kay H. Chin
Attorney, Agent, or Firm—Welsh & Katz, Ltd.

[73] Assignee: **Suncast Corporation**, Batavia, Ill.

[57] **CLAIM**

The ornamental design for a molded hose reel cart with guide, as shown and described.

[**] Term: **14 Years**

DESCRIPTION

[21] Appl. No.: **29/096,393**

FIG. 1 is a front perspective view of a molded hose reel cart with guide showing our new design; FIG. 2 is a front view of the hose reel cart of FIG. 1; FIG. 3 is a rear view of the hose reel cart of FIG. 1; FIG. 4 is a side view of the hose reel cart of FIG. 1, as viewed from the right-hand side thereof; FIG. 5 is a side view of the hose reel cart of FIG. 1, as viewed from the left-hand side thereof; FIG. 6 is a top view of the hose reel cart of FIG. 1; and, FIG. 7 is a bottom view of the hose reel cart of FIG. 1.

[22] Filed: **Nov. 12, 1998**

[51] LOC (6) Cl. **12-02**

[52] U.S. Cl. **D34/24; D8/359**

[58] Field of Search D34/12-27; D8/359; 242/355.27, 355.16

[56] **References Cited**

U.S. PATENT DOCUMENTS

D. 390,315 2/1998 Spear et al. D34/24

1 Claim, 6 Drawing Sheets

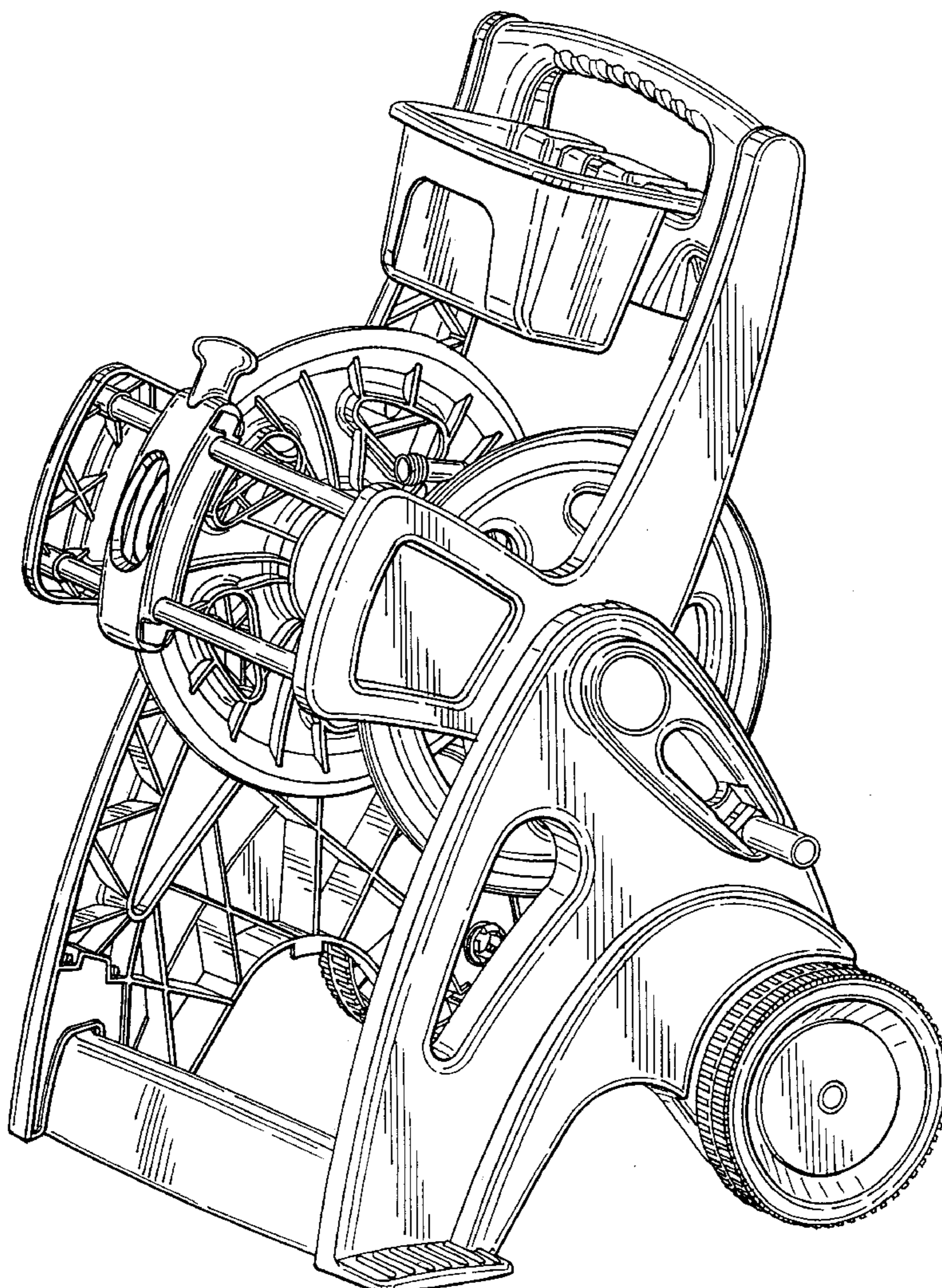


FIG. 1

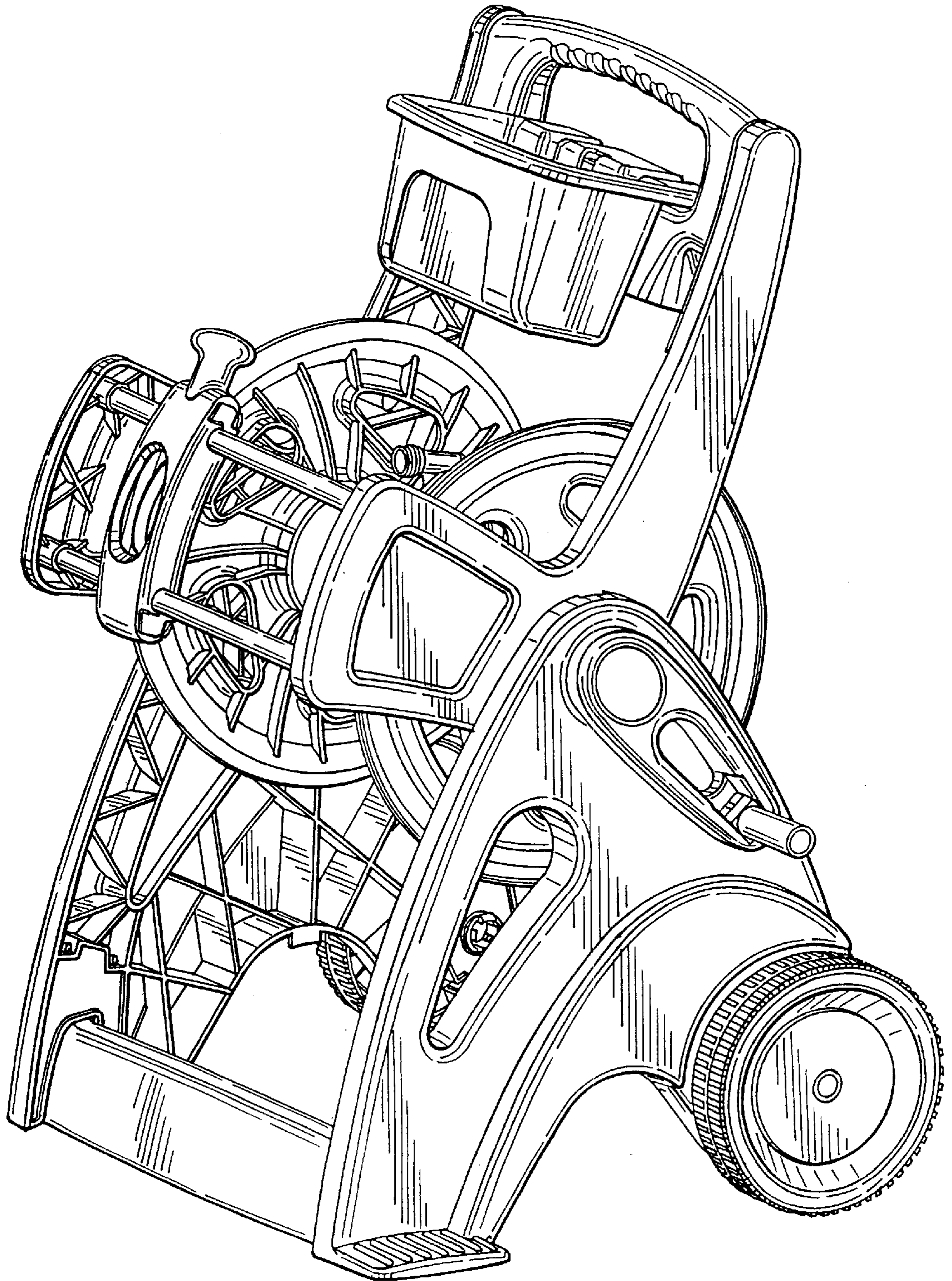


FIG.2

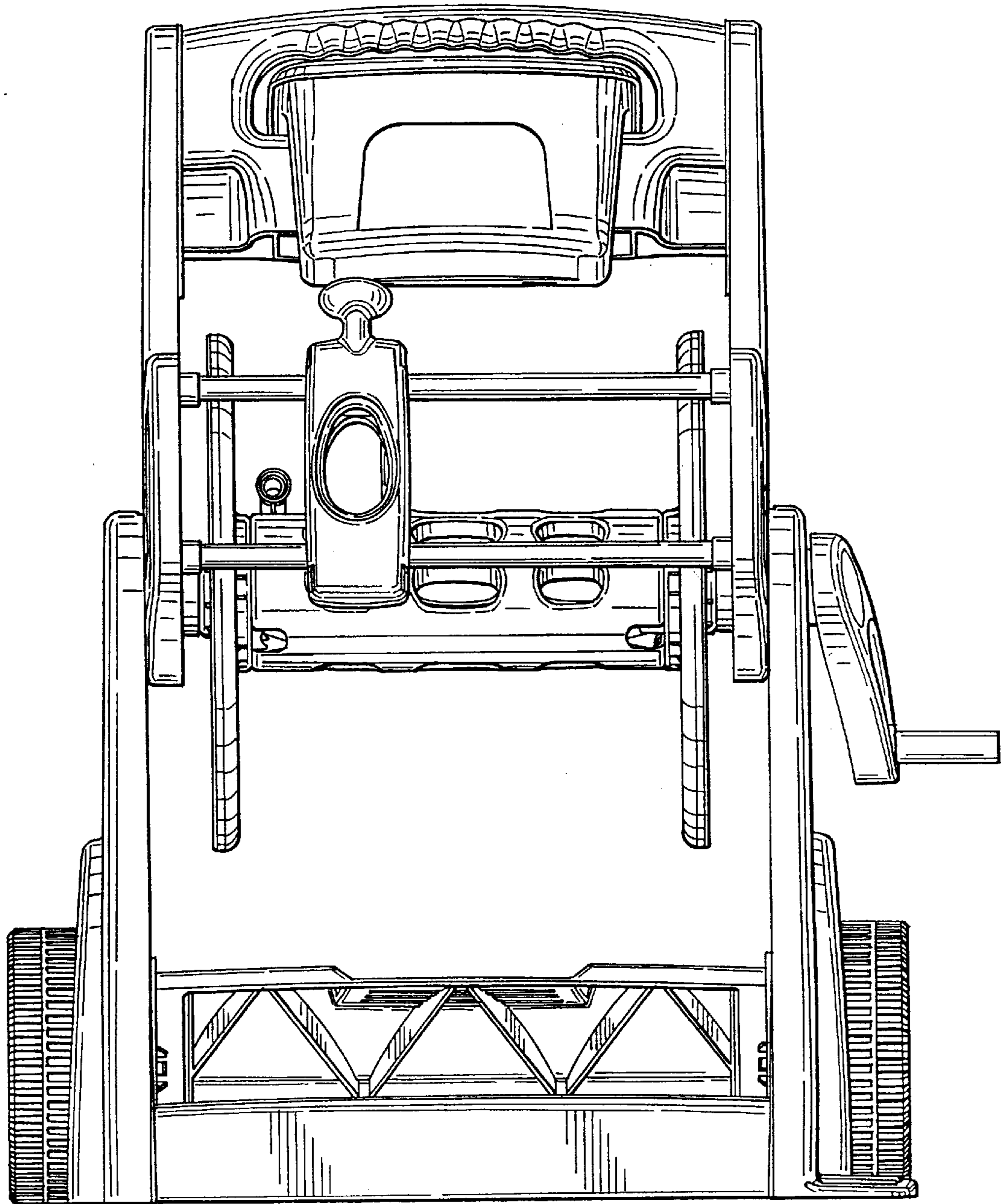


FIG.3

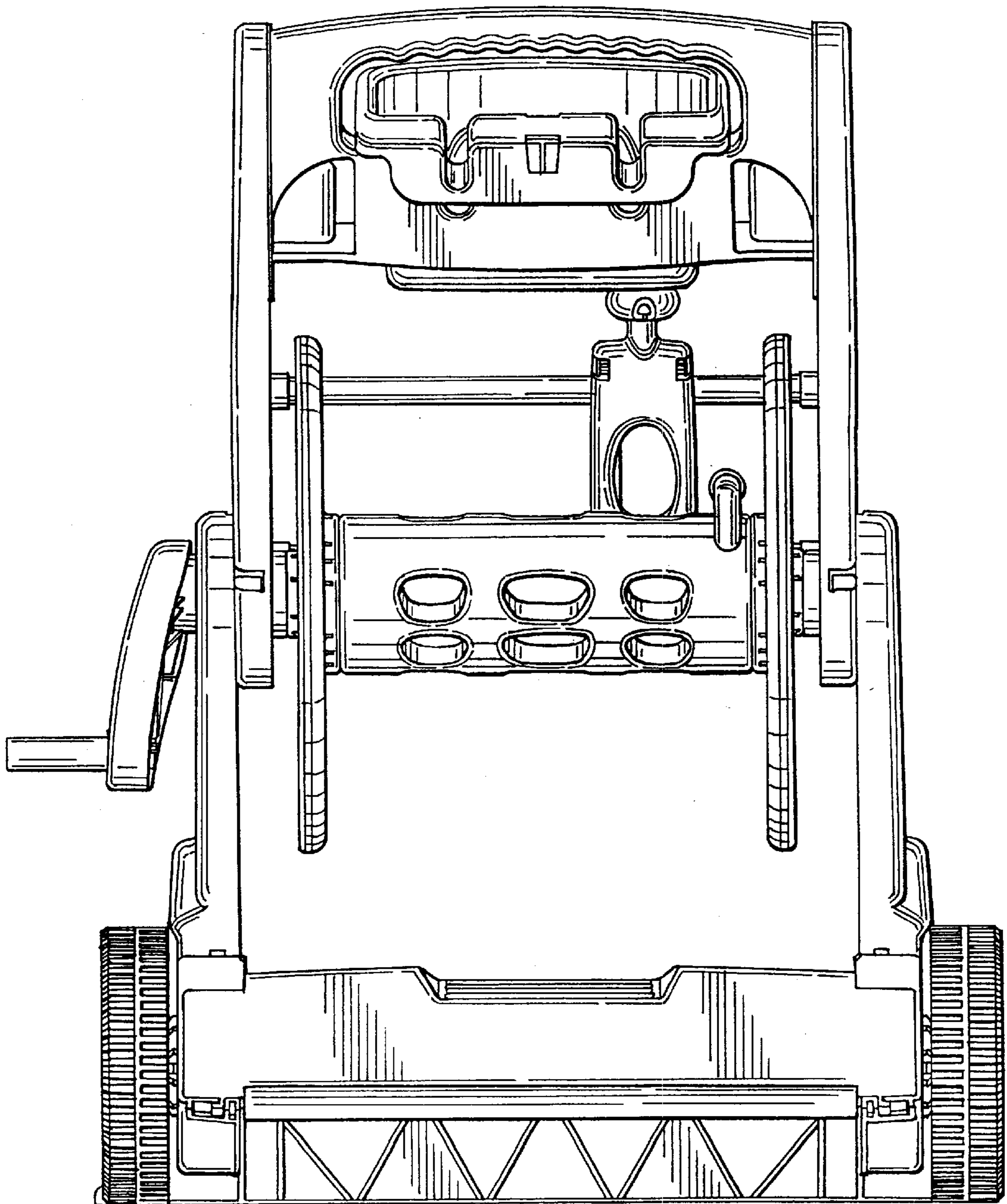


FIG. 4

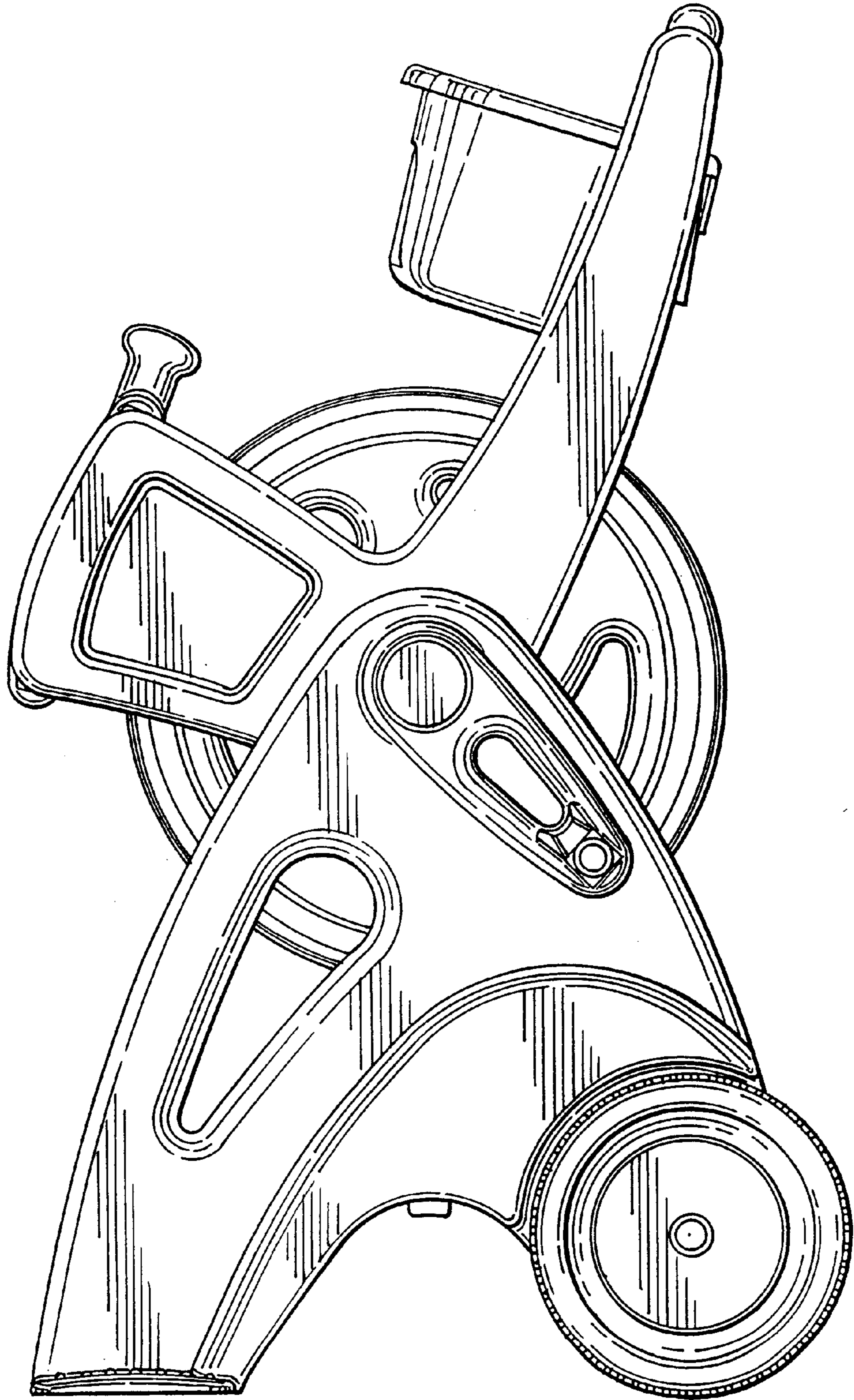


FIG. 5

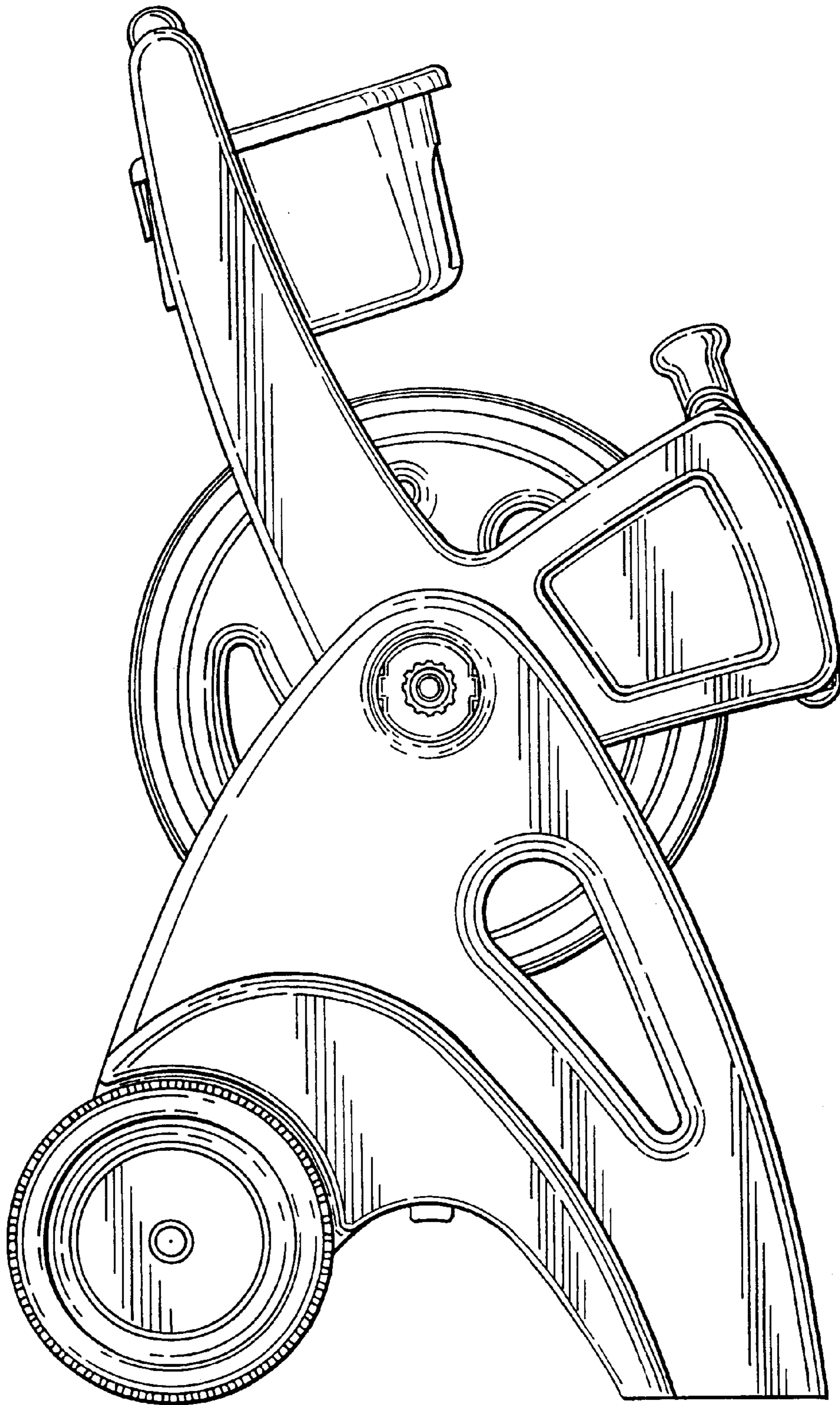


FIG. 6

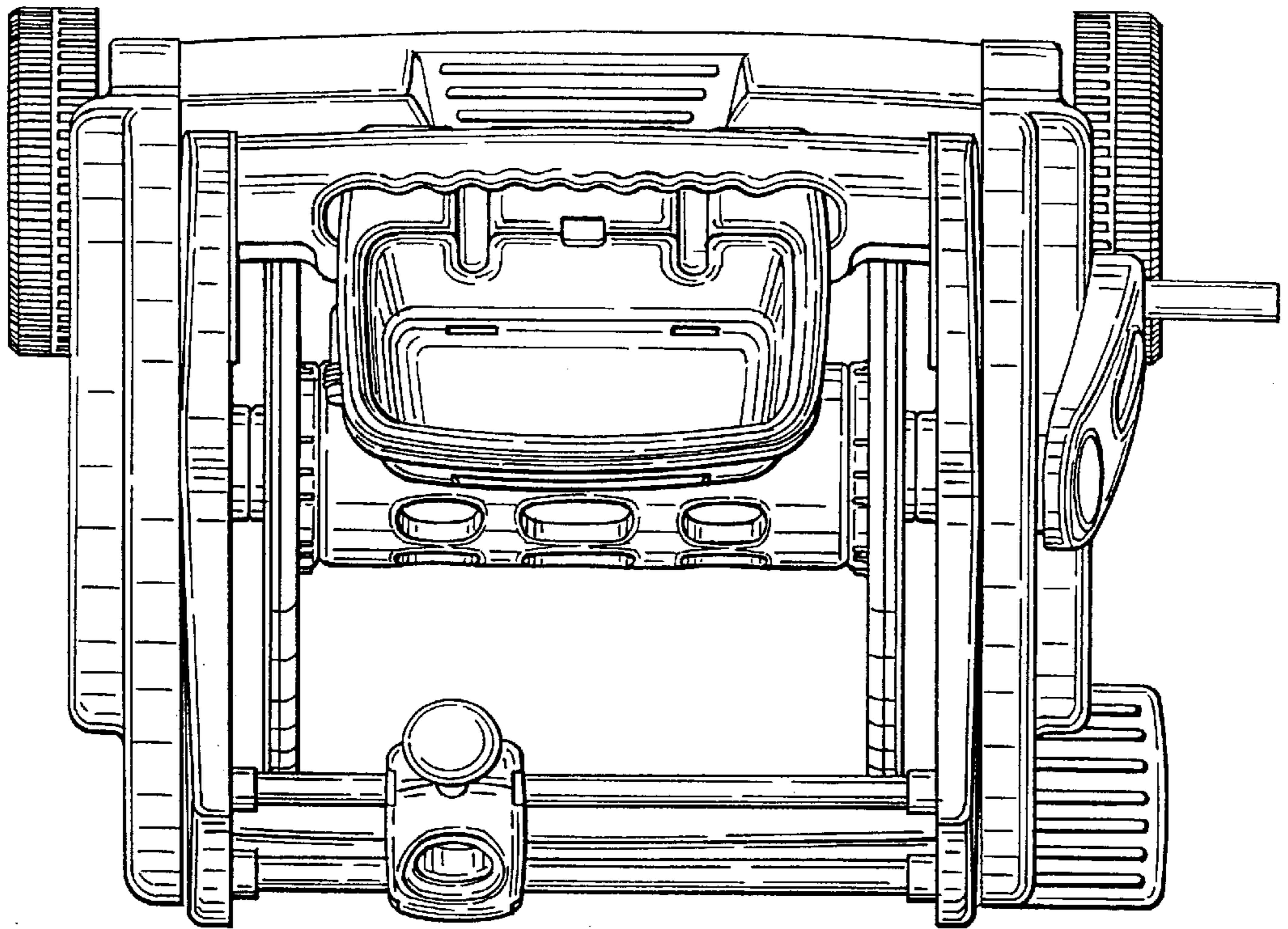


FIG. 7

