



US00D418269S

**United States Patent** [19]  
**Henry**

[11] **Patent Number: Des. 418,269**

[45] **Date of Patent: \*\* Dec. 28, 1999**

[54] **TROLLEY FOR CARRYING PLANS AND DRAWINGS**

D. 366,744 1/1996 Bailey ..... D34/12  
3,955,511 5/1976 Bak ..... 108/137

[75] Inventor: **Roger John Wilton Henry**, Hawthorn, Australia

*Primary Examiner*—Kay H. Chin  
*Attorney, Agent, or Firm*—Sughrue, Mion, Zinn, Macpeak & Seas, PLLC

[73] Assignee: **Arnos Australia Pty Ltd.**, Cheltenham, Australia

[57] **CLAIM**

[\*\*] Term: **14 Years**

The ornamental design for a trolley for carrying plans and drawings, as shown and described.

[21] Appl. No.: **29/089,692**

**DESCRIPTION**

[22] Filed: **Jun. 19, 1998**

[51] **LOC (6) Cl.** ..... **12-02**

[52] **U.S. Cl.** ..... **D34/17; D34/21**

[58] **Field of Search** ..... D34/12, 1, 27;  
280/79.11, 79.2, 33.998, 33.991, 47.34;  
D6/462, 465, 467, 475, 476, 449; D19/90;  
211/60.1

FIG. 1 is perspective view of the top, front and one side of a trolley for carrying plans and drawings showing my new design;

FIG. 2 is a perspective view of the top, rear and said one side thereof, the opposite side being a mirror image of said one side;

FIG. 3 is a top plan view thereof;

FIG. 4 is front elevational view thereof; and,

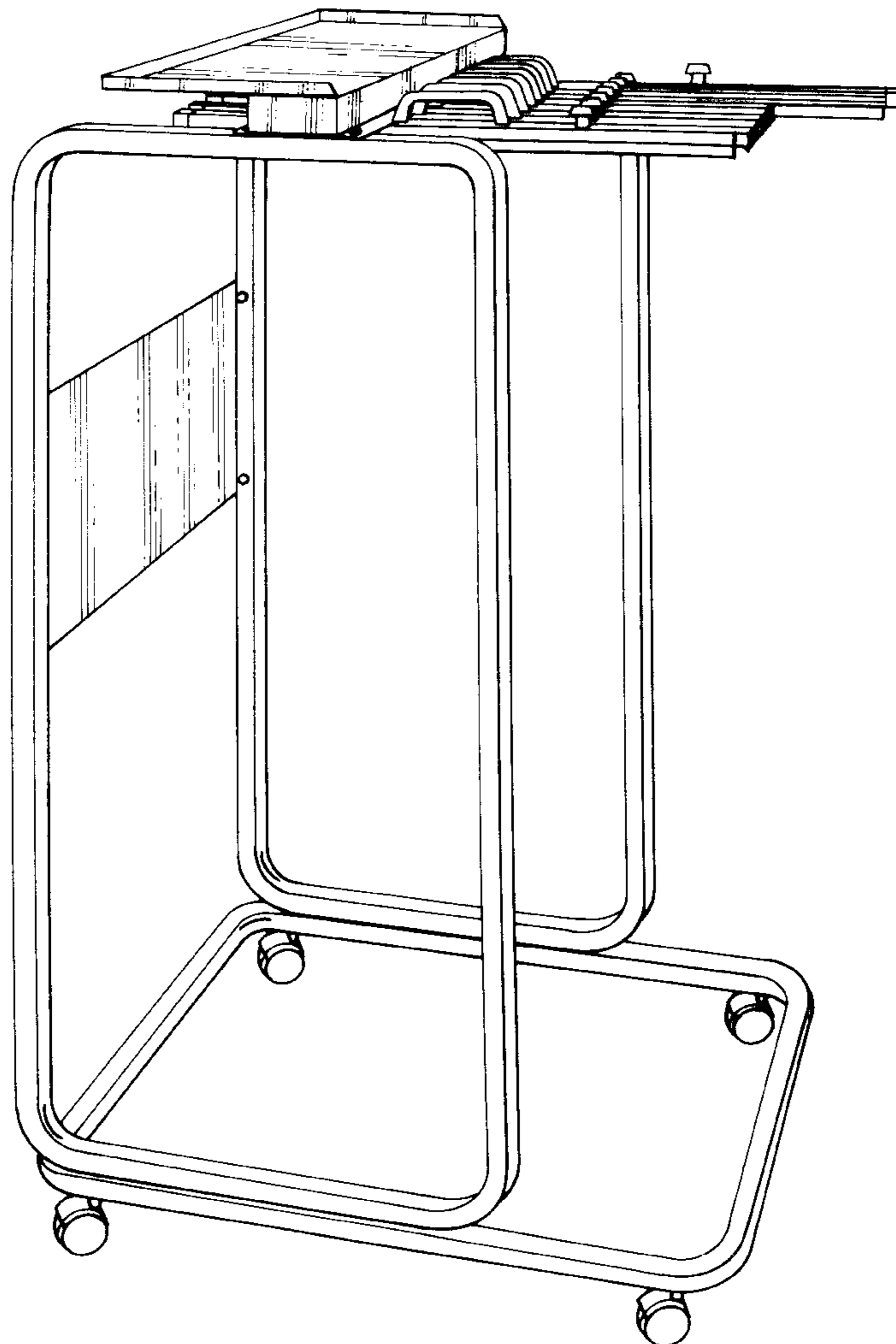
FIG. 5 is a rear elevational view thereof.

[56] **References Cited**

**U.S. PATENT DOCUMENTS**

D. 192,996 6/1962 Paruolo ..... D34/17

**1 Claim, 5 Drawing Sheets**



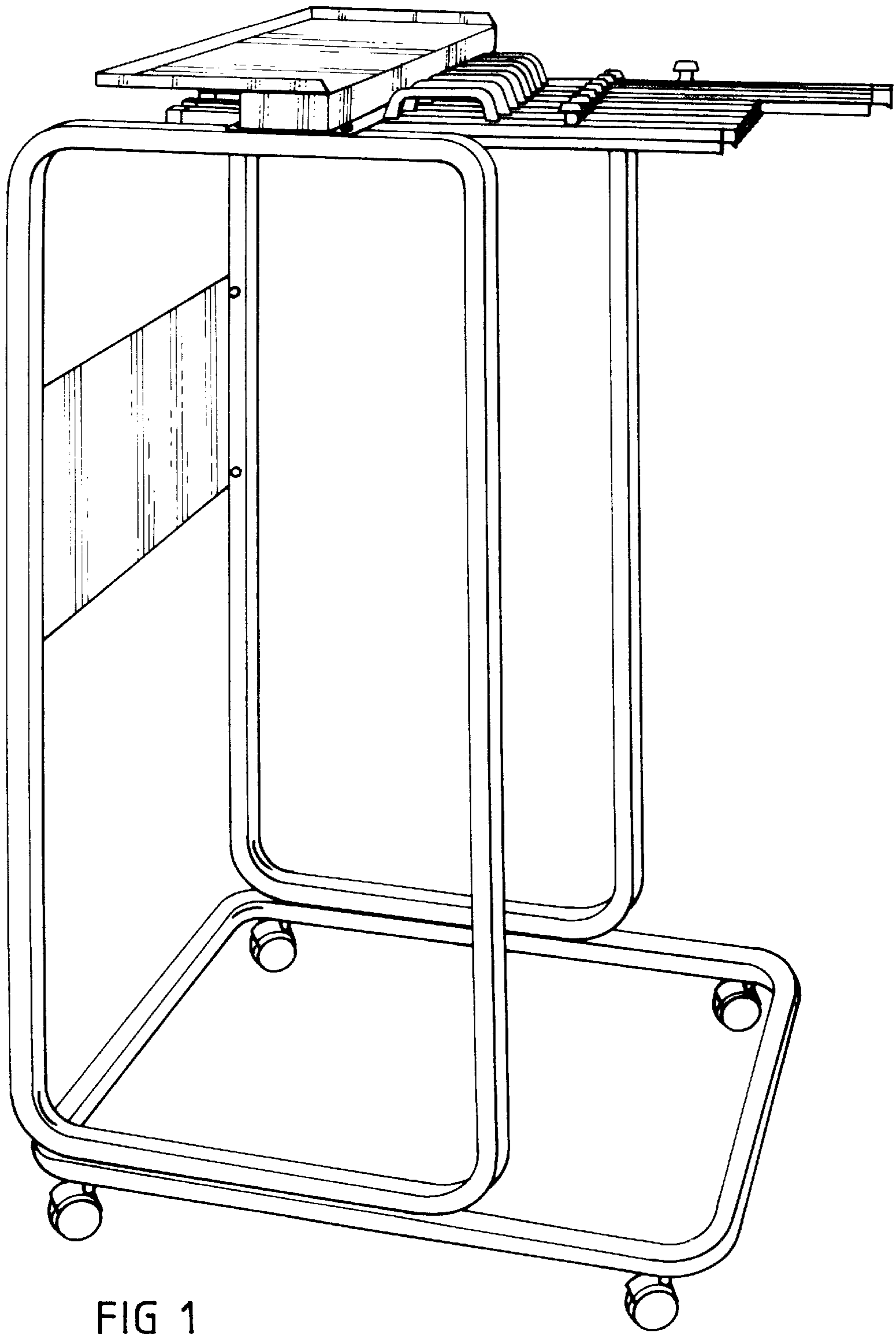


FIG 1

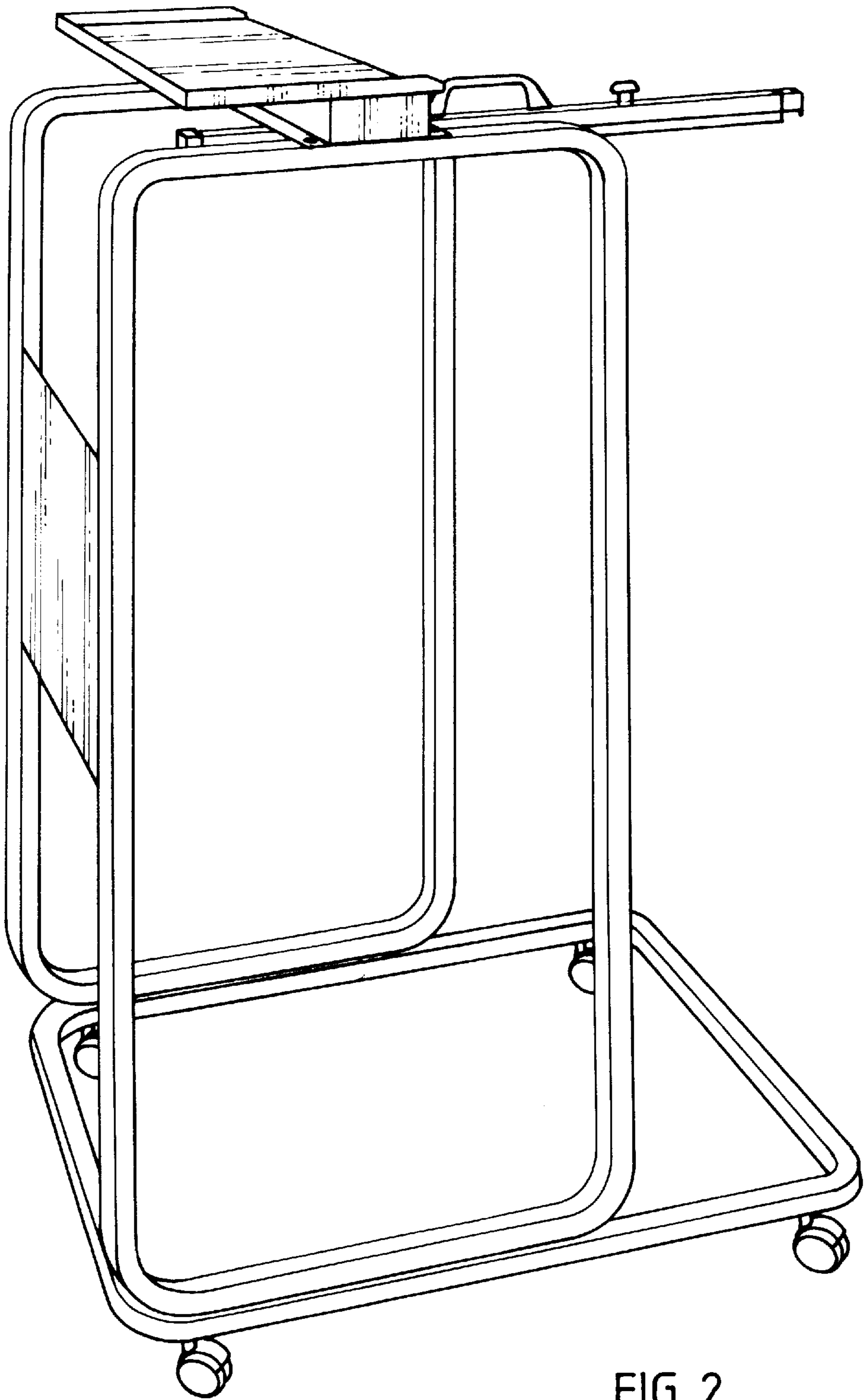


FIG 2

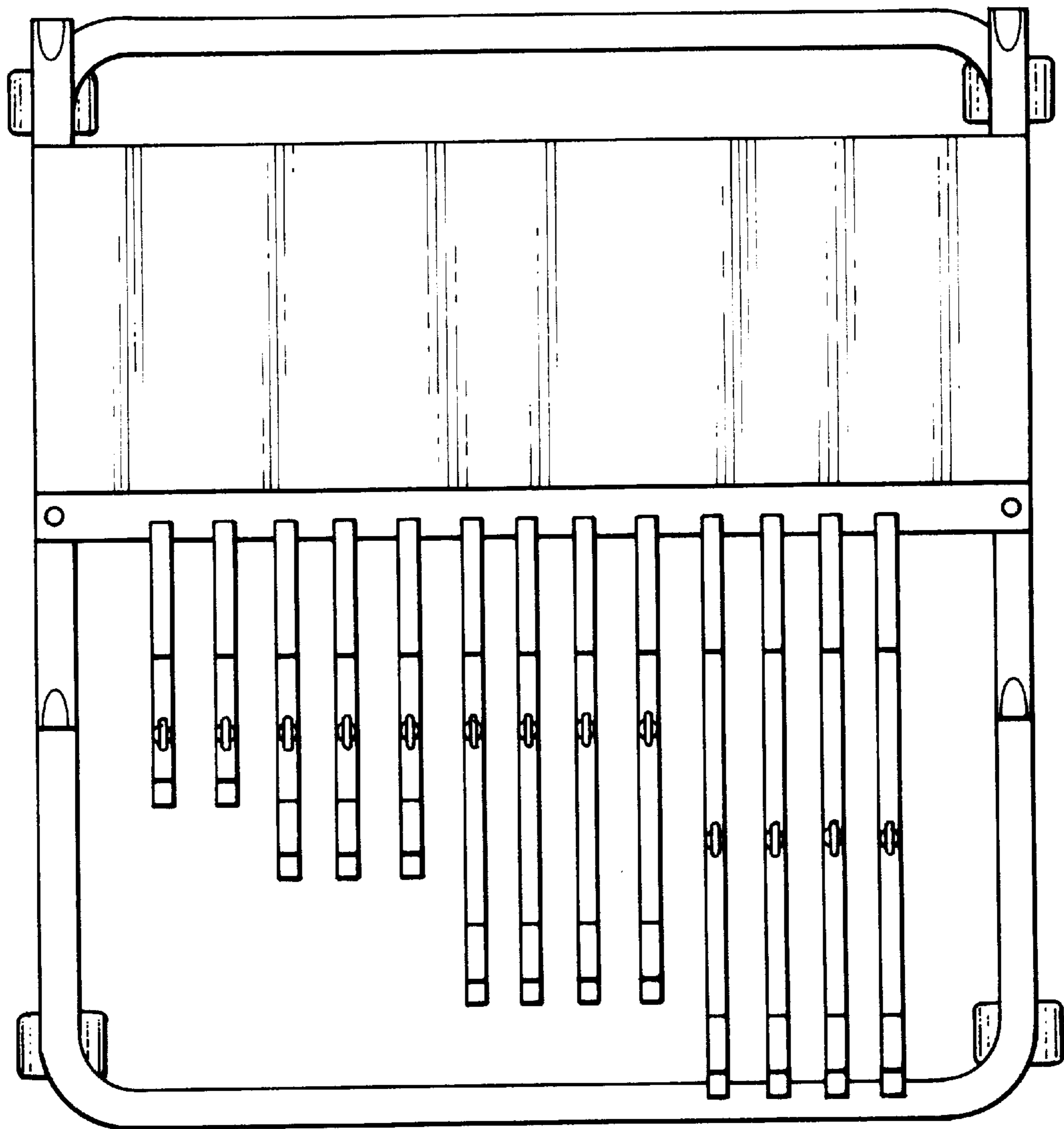


FIG 3

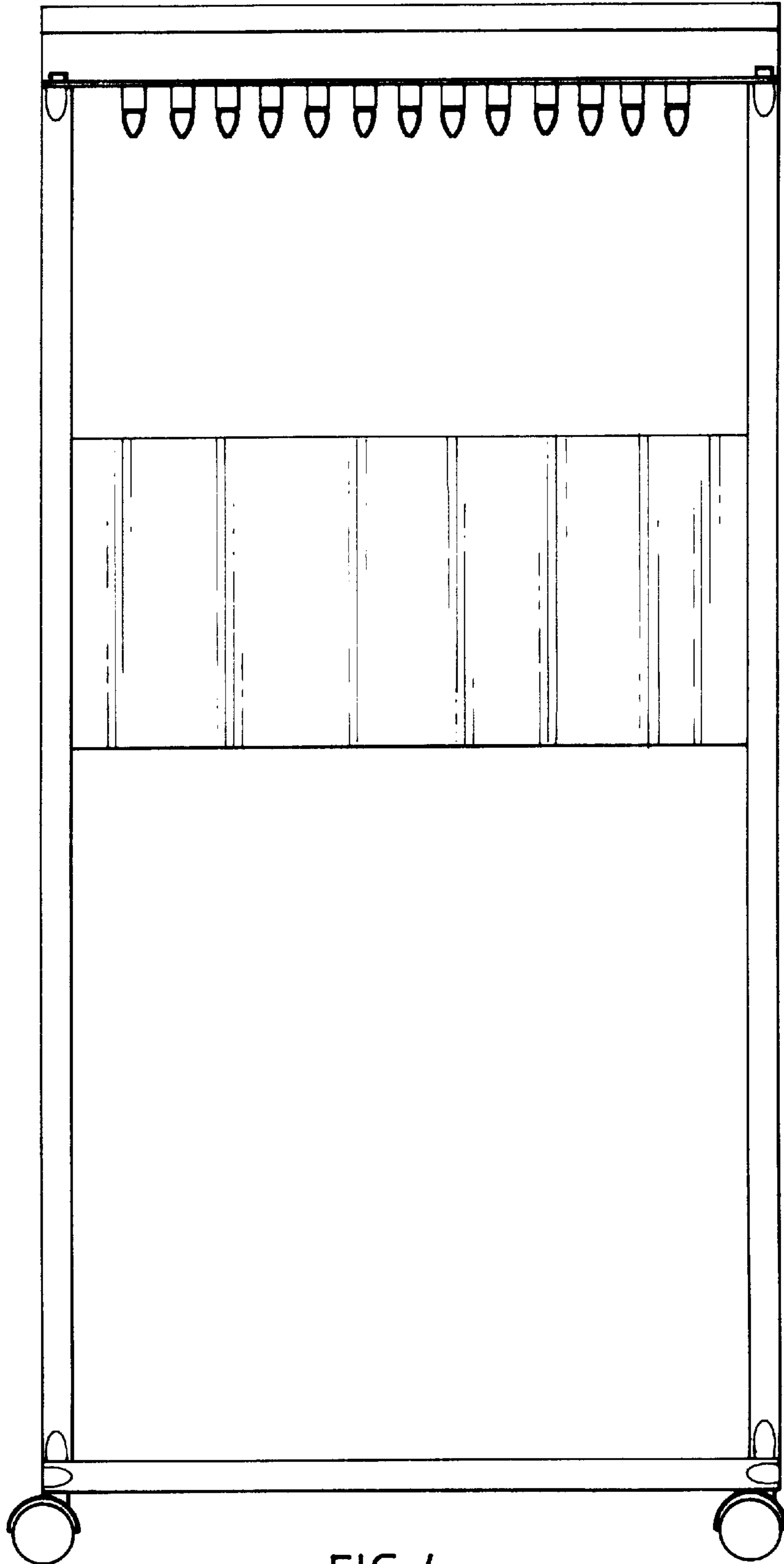


FIG 4

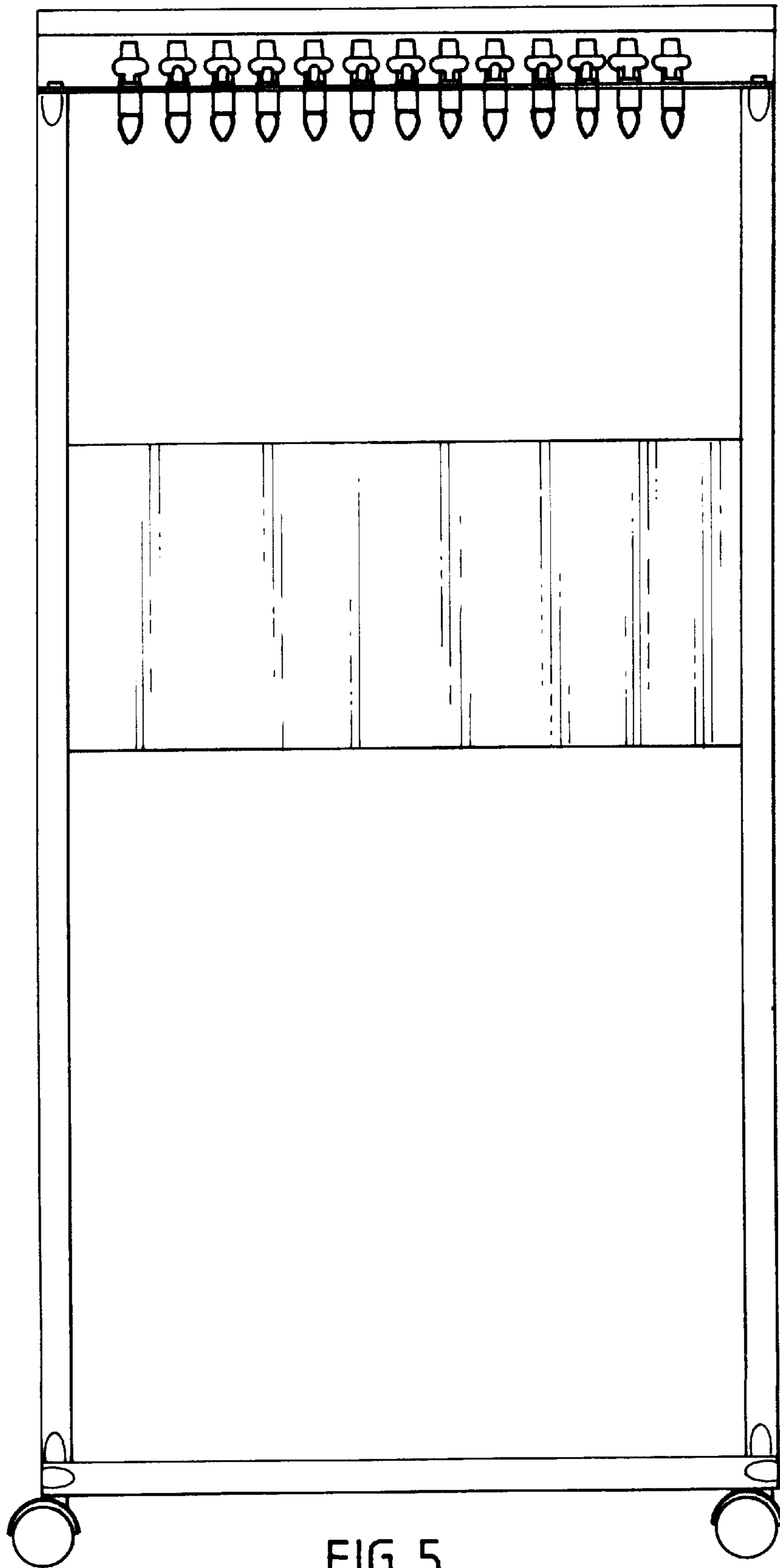


FIG 5