



US00D418268S

United States Patent [19] Morin

[11] **Patent Number: Des. 418,268**

[45] **Date of Patent: ** Dec. 28, 1999**

[54] **CLOTHES LINE SEPARATOR**

3,750,891 8/1973 Decorato 211/119.02
4,213,597 7/1980 Rayner .

[76] Inventor: **Aurèle Morin**, 8635 Marjolaine,
Montreal, Quebec, Canada, H1R 2H4

FOREIGN PATENT DOCUMENTS

[**] Term: **14 Years**

23712/173 12/1960 Canada .

[21] Appl. No.: **29/099,308**

Primary Examiner—Robin V. Taylor
Attorney, Agent, or Firm—Swabey Ogilvy Renault

[22] Filed: **Jan. 19, 1999**

[57] **CLAIM**

[30] **Foreign Application Priority Data**

The ornamental design for a clothes line separator, as shown and described.

Jul. 23, 1998 [CA] Canada 1998-1760

[51] **LOC (6) Cl.** **07-05**

DESCRIPTION

[52] **U.S. Cl.** **D32/60**

[58] **Field of Search** D32/58-60; D8/360;
254/388, 390-391; 211/119.04, 119.05,
119.01, 119.02, 119.1; 248/353

FIG. 1 is a perspective view of the clothes line separator showing my new design;

FIG. 2 is a front elevational view thereof;

FIG. 3 is a left side view thereof, the right side view being a mirror image;

FIG. 4 is a rear elevational view thereof;

FIG. 5 is a top plan view thereof, the bottom plan view being identical;

FIG. 6 is a perspective view of another embodiment showing my new design;

FIG. 7 is a front elevational view thereof;

FIG. 8 is a left side view thereof, the right side view being a mirror image;

FIG. 9 is a rear elevational view thereof; and,

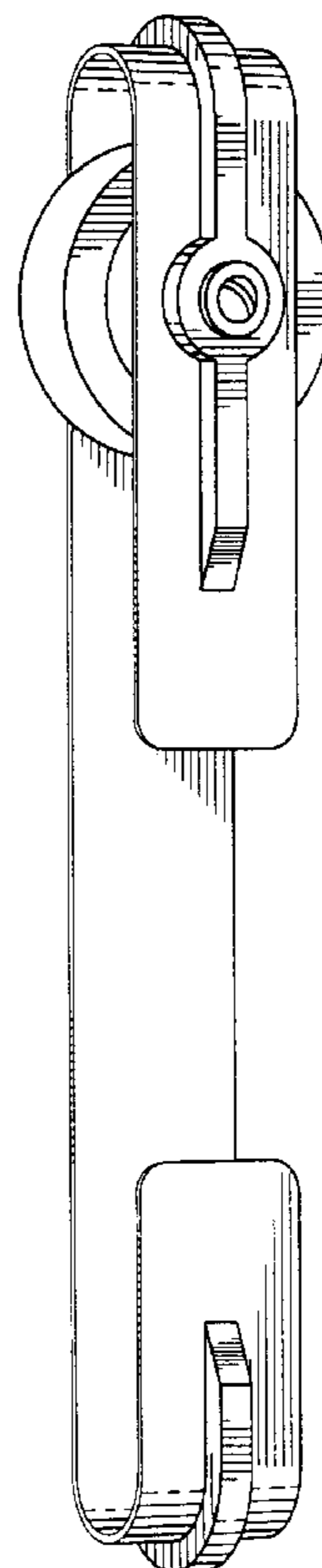
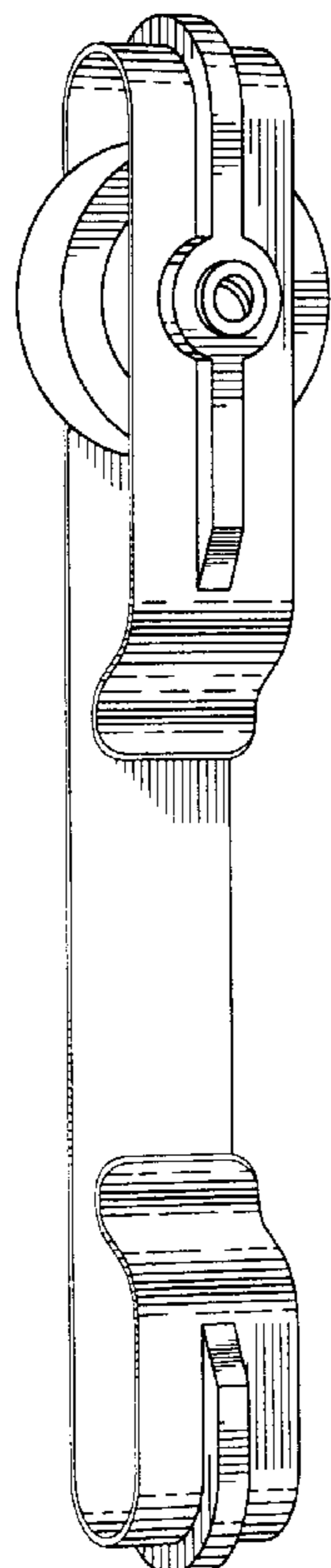
FIG. 10 is a top plan view thereof, the bottom plan view being identical.

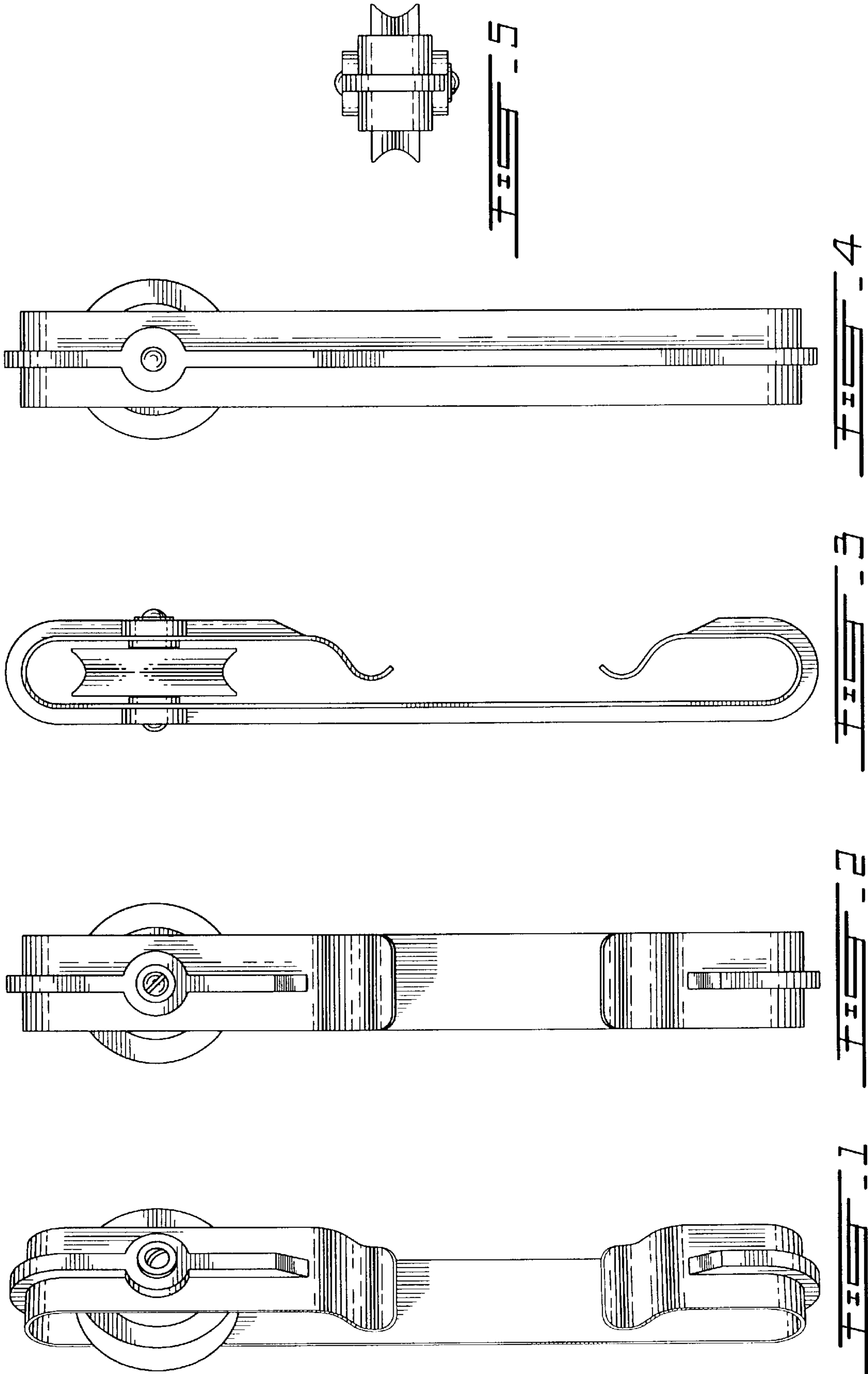
[56] **References Cited**

U.S. PATENT DOCUMENTS

- 116,632 7/1871 Riley .
- 304,952 9/1884 Paul .
- D. 330,150 10/1992 Dye D8/360
- 488,868 12/1892 Brunner .
- 617,155 1/1899 Gilon .
- 1,053,268 2/1913 Blodgett .
- 1,459,115 6/1923 Pedersen 211/119.02
- 2,269,824 1/1942 McCormack .
- 2,393,490 1/1946 Waldheim .
- 2,456,658 12/1948 Waldheim .
- 3,712,556 1/1973 Bosco 211/119.1

1 Claim, 2 Drawing Sheets





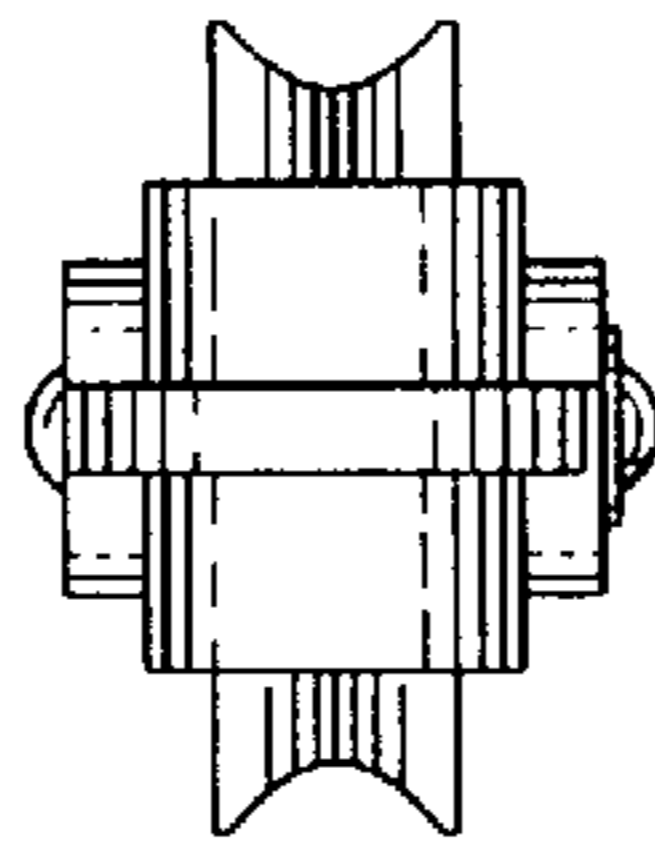


FIG. 10

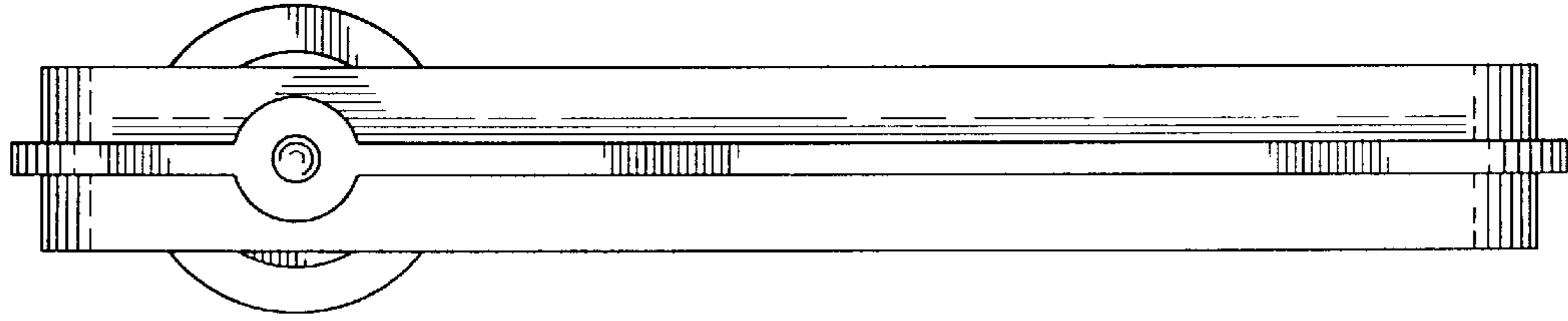


FIG. 11

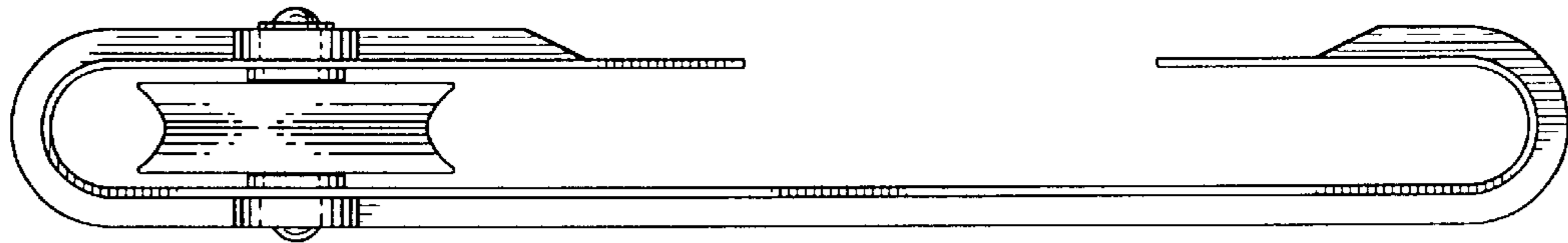


FIG. 12

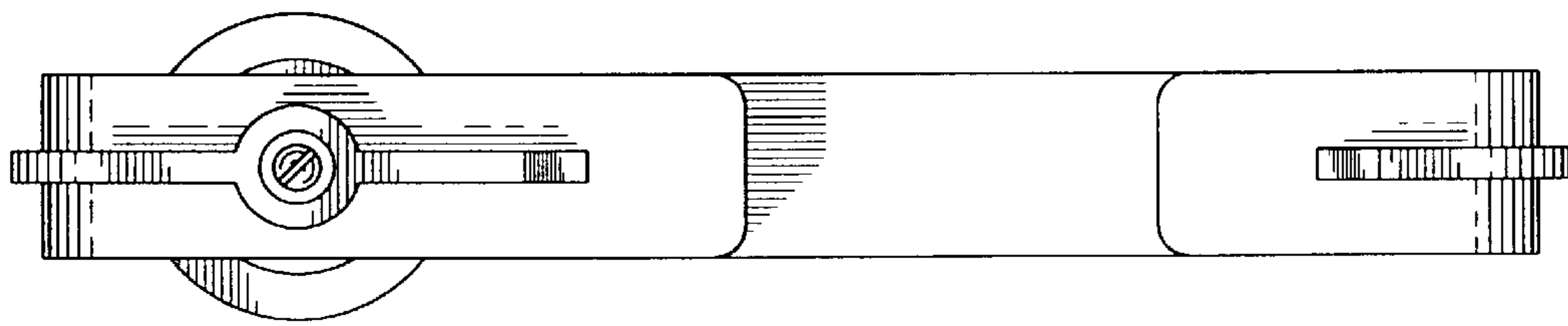


FIG. 13

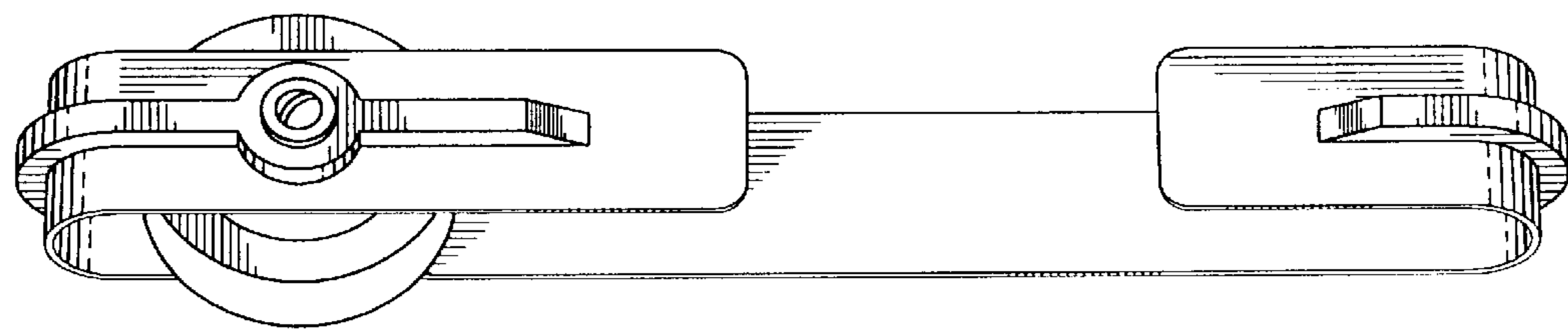


FIG. 14