



US00D418265S

United States Patent [19]

[11] **Patent Number: Des. 418,265**

Farone et al.

[45] **Date of Patent: ** Dec. 28, 1999**

[54] **UPRIGHT VACUUM CLEANER**

| | | | | |
|------------|--------|------------|-------|--------|
| D. 368,560 | 4/1996 | Abe et al. | | D32/22 |
| D. 368,994 | 4/1996 | Abe et al. | | D32/22 |
| D. 379,692 | 6/1997 | Abe | | D32/22 |

[75] Inventors: **Richard C. Farone**, Wickliffe; **Craig M. Saunders**, Rocky River; **Jeffrey M. Kalman**; **Paul D. Stephens**, both of Cleveland Heights; **Robert A. Salo**, Willoughby; **Charles J. Thur**, Broadview Heights; **Michael F. Wright**, Cuyahoga Falls, all of Ohio

Primary Examiner—Ruth McInroy
Attorney, Agent, or Firm—Fay Sharpe Beall, Fagan, Minnich & McKee

[73] Assignee: **Royal Appliance Mfg Co.**, Cleveland, Ohio

[57] **CLAIM**
The ornamental design for an upright vacuum cleaner, as shown and described.

[**] Term: **14 Years**

DESCRIPTION

[21] Appl. No.: **29/065,464**

FIG. 1 is perspective view of a first embodiment of an upright vacuum cleaner showing our new design;
FIG. 2 is a front elevational view of the vacuum cleaner of FIG. 1;
FIG. 3 is a right side elevational view of the vacuum cleaner of FIG. 1;
FIG. 4 is a left side elevational view of the vacuum cleaner of FIG. 1;
FIG. 5 is a rear elevational view of the vacuum cleaner of FIG. 1;
FIG. 6 is a top plan view of the vacuum cleaner of FIG. 1; and,
FIG. 7 is a bottom plan view of the vacuum cleaner of FIG. 1.

[22] Filed: **Jan. 22, 1997**

[51] **LOC (6) Cl.** **15-05**

[52] **U.S. Cl.** **D32/22; D32/31**

[58] **Field of Search** D32/21, 22, 31-34;
15/320-322, 329, 335, 347, 350-353, 410,
412, 414

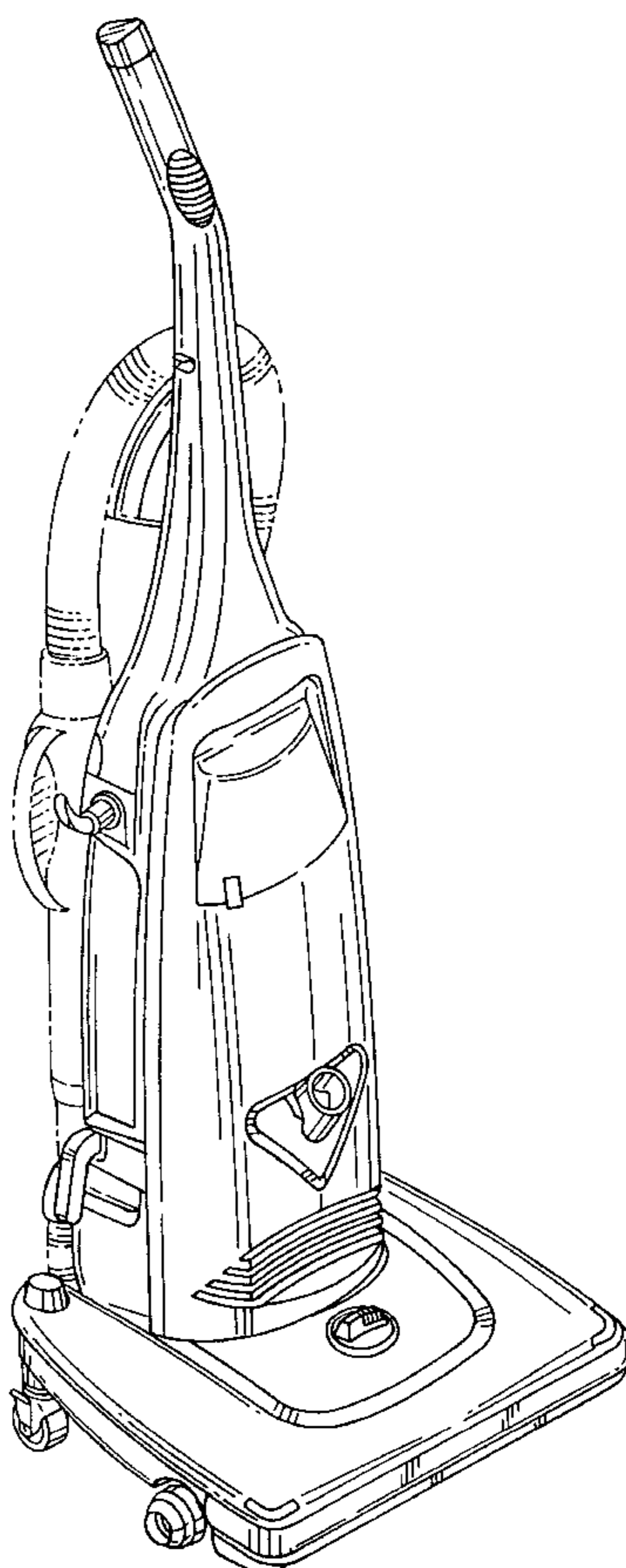
The details shown in broken lines in FIGS. 1-6 are shown for illustrative purposes only and form no part of the claimed design.

[56] **References Cited**

U.S. PATENT DOCUMENTS

| | | | | |
|------------|--------|-----------------|-------|--------|
| D. 325,658 | 4/1992 | Brewin | | D32/22 |
| D. 335,556 | 5/1993 | Kuriya | | D32/22 |
| D. 347,500 | 5/1994 | Abe et al. | | D32/22 |
| D. 358,913 | 5/1995 | Sugiyama et al. | | D32/22 |
| D. 368,559 | 4/1996 | Abe et al. | | D32/22 |

1 Claim, 6 Drawing Sheets



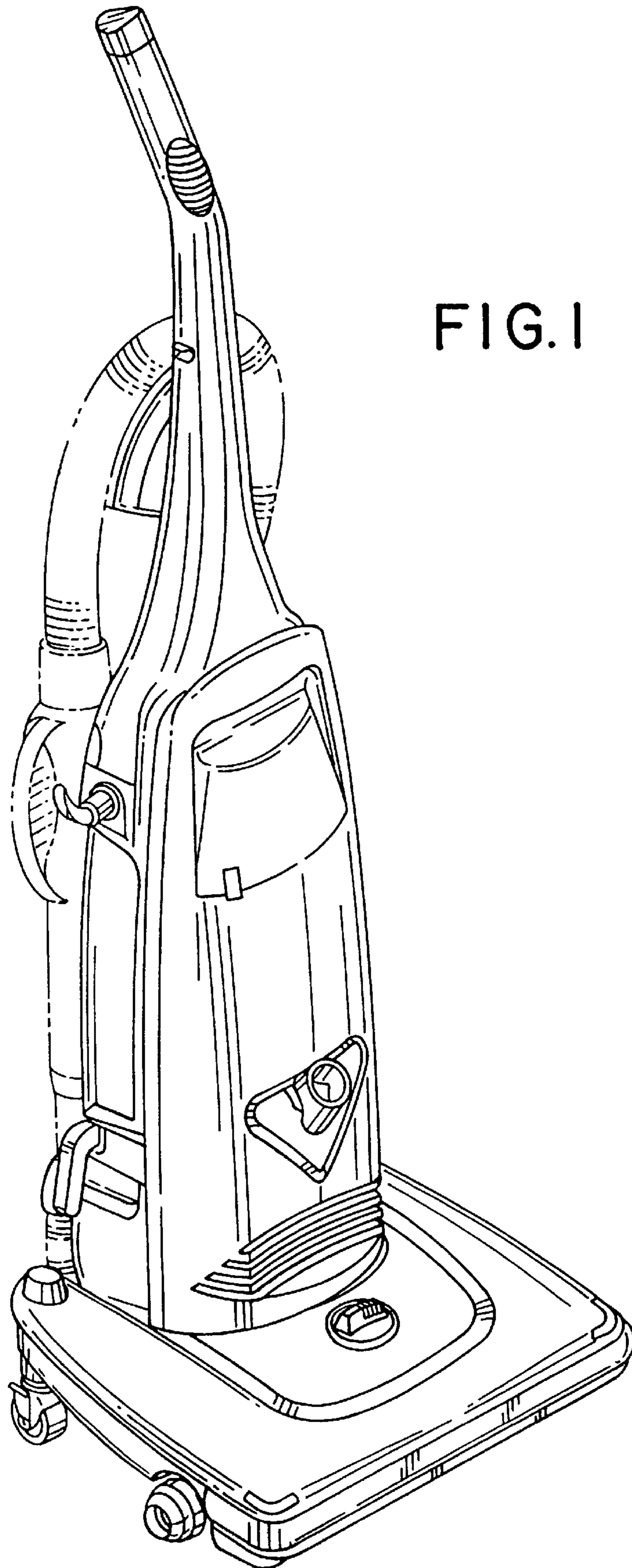


FIG. 2

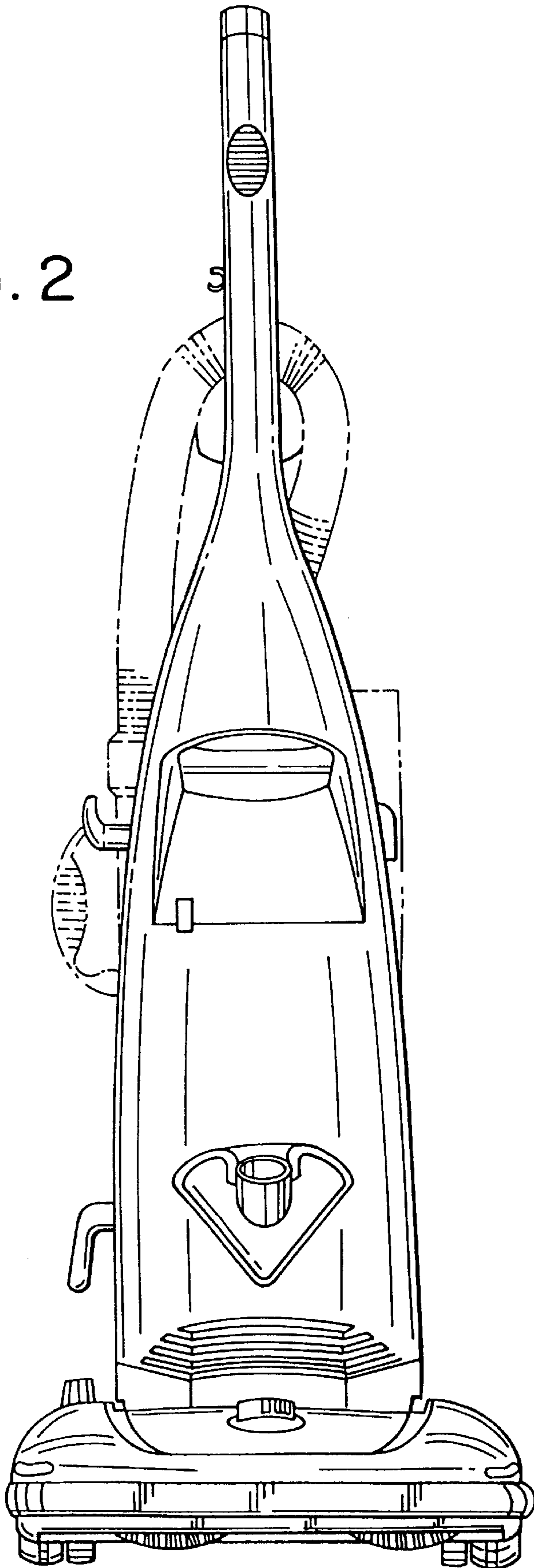


FIG. 3

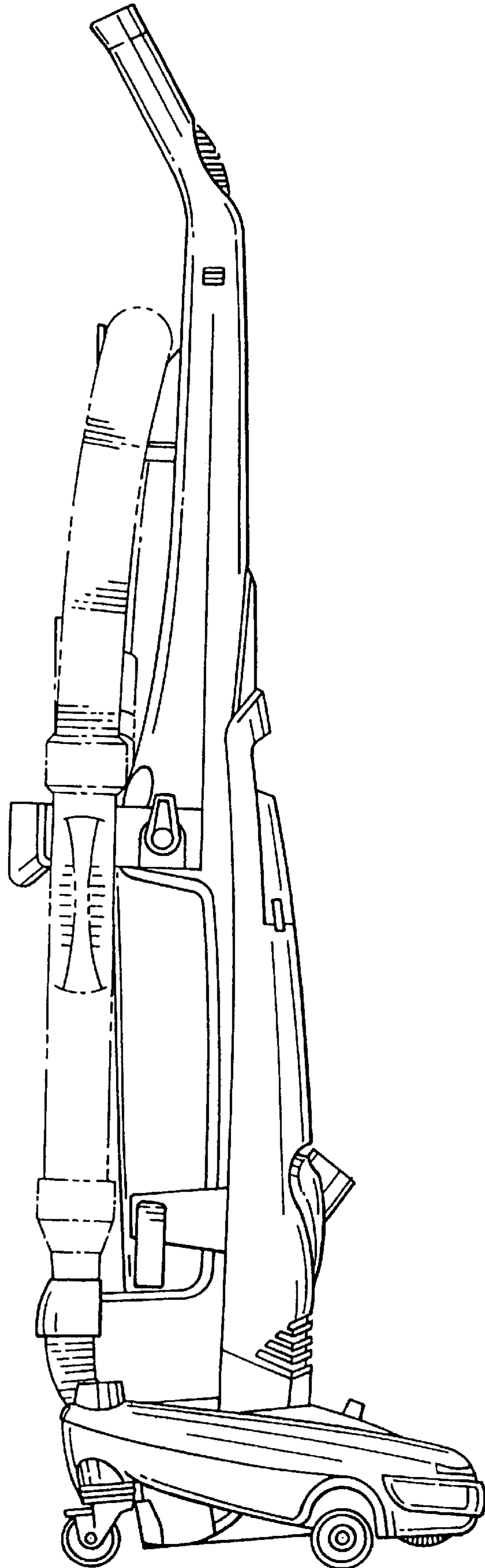


FIG. 4

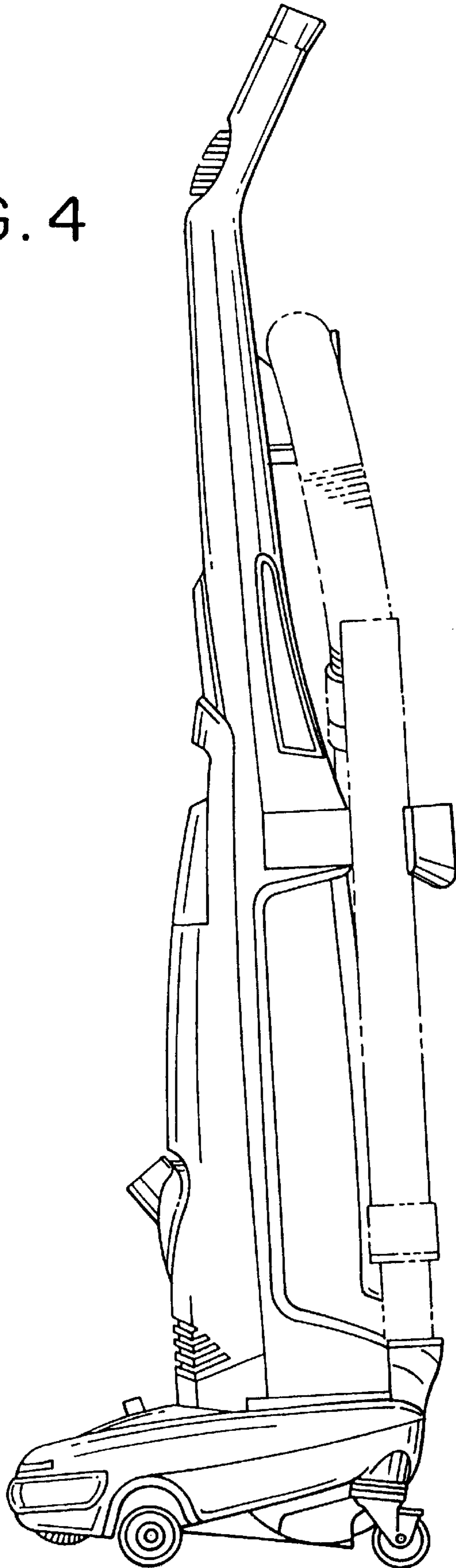
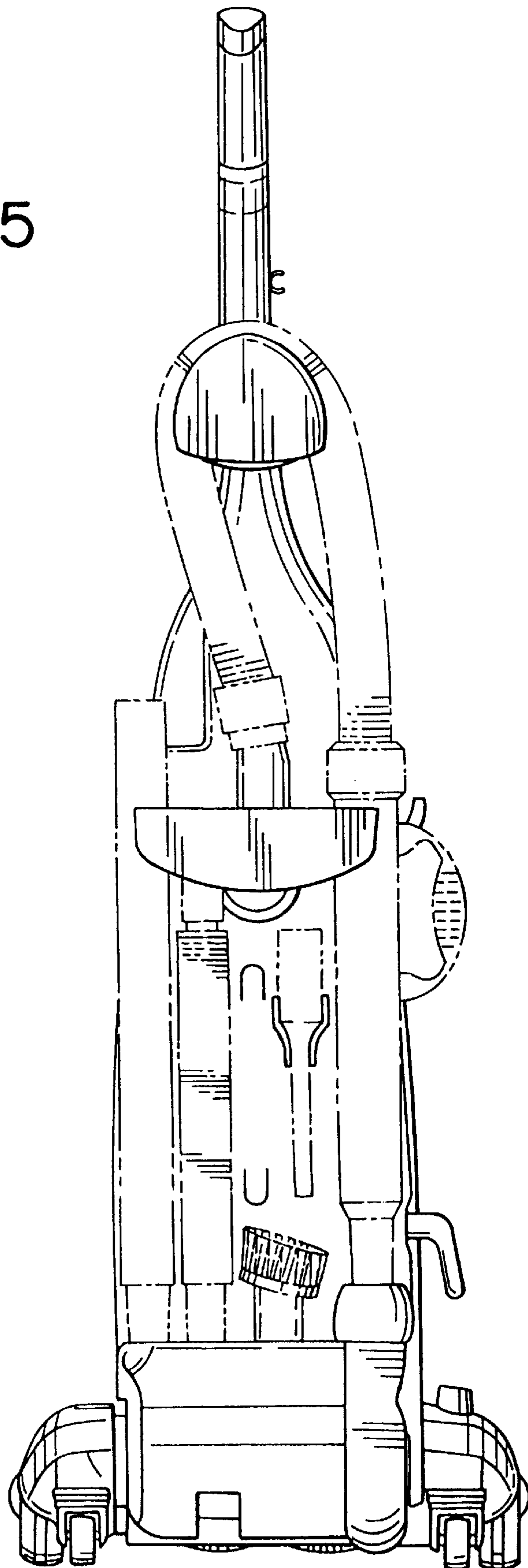


FIG. 5



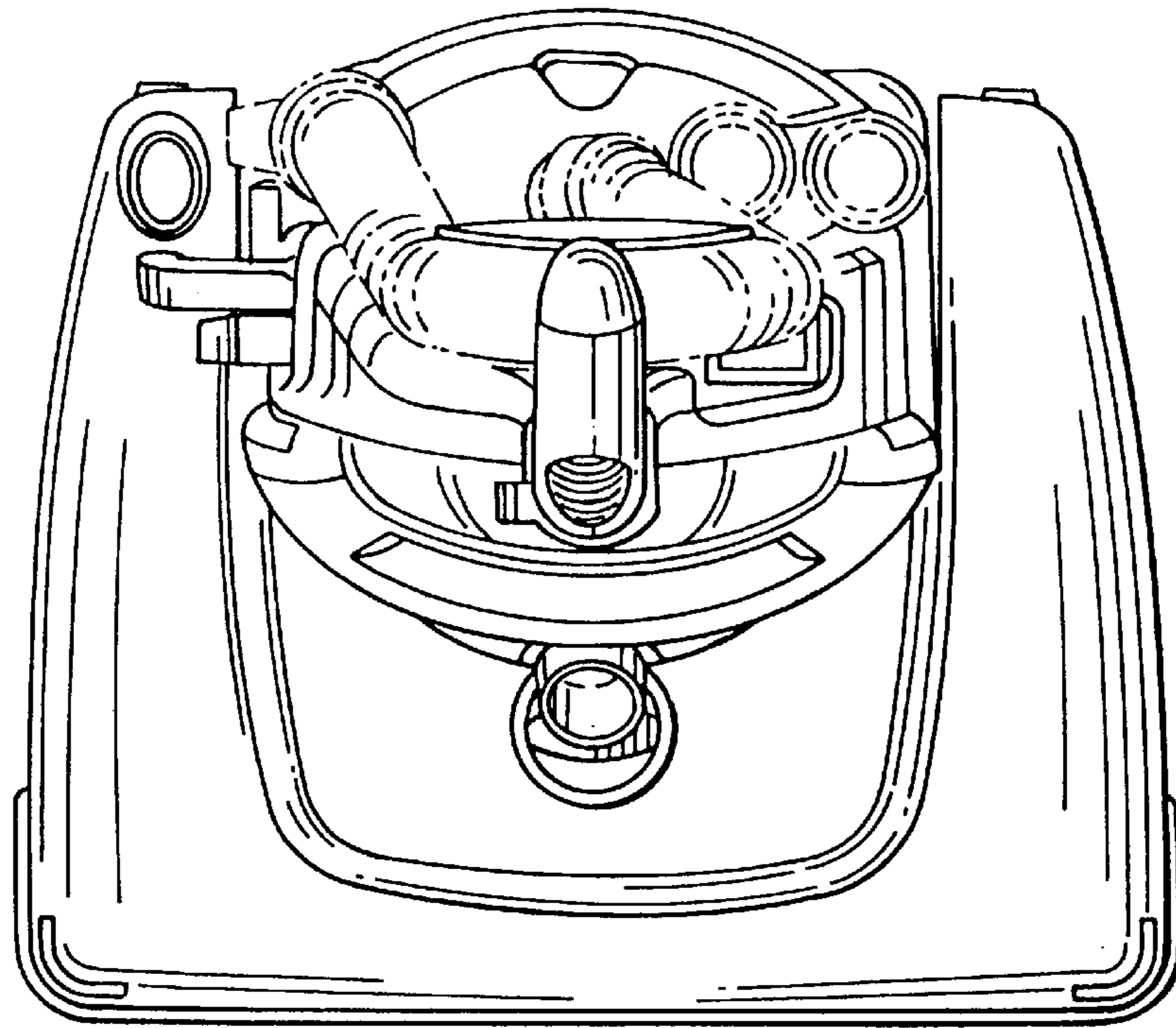


FIG. 6

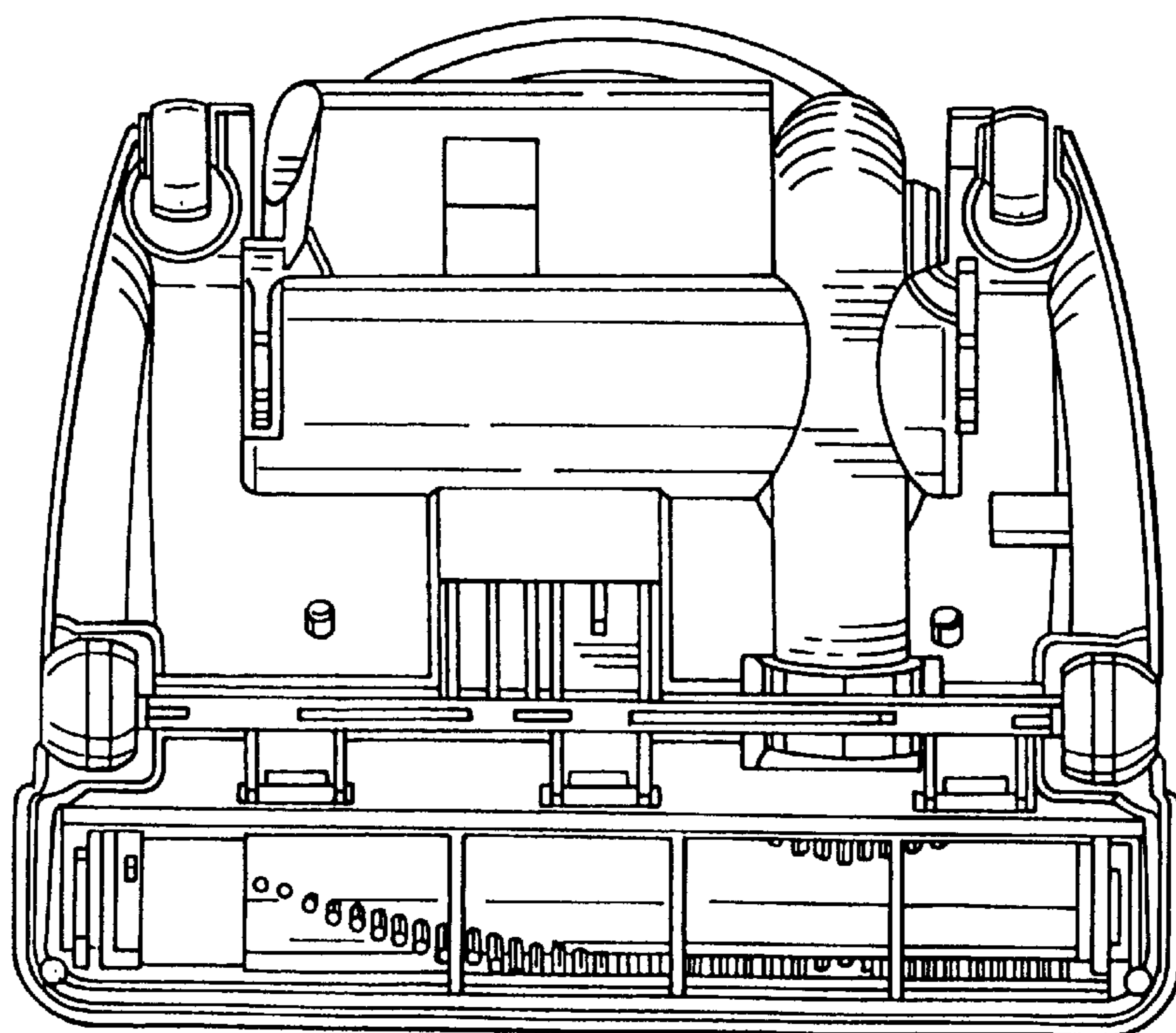


FIG. 7