



US00D418264S

United States Patent [19] Rees

[11] Patent Number: **Des. 418,264**

[45] Date of Patent: **** Dec. 28, 1999**

[54] **ELECTRICALLY POWERED WAXER/
POLISHER**

[75] Inventor: **Spencer Clark Rees**, Sugar Grove, Ill.

[73] Assignee: **Wen Products, Inc.**, Bensenville, Ill.

[**] Term: **14 Years**

[21] Appl. No.: **29/099,535**

[22] Filed: **Jan. 22, 1999**

[51] **LOC (6) Cl.** **15-05**

[52] **U.S. Cl.** **D32/19**

[58] **Field of Search** D32/15, 19, 20,
D32/25, 31, 33, 34; D8/62, 61, 67; D4/102;
15/28, 29, 22.1, 97.1

[56] **References Cited**

U.S. PATENT DOCUMENTS

D. 244,524	5/1977	Howard et al.	D32/31
D. 347,914	6/1994	Brown et al.	D32/15
D. 349,789	8/1994	Bunyea	D32/19
D. 379,749	6/1997	Gildersleeve et al.	D8/62

OTHER PUBLICATIONS

Montgomery Ward Christmas Catalog, 1983: "Orbital action auto polisher", p. 453, item D.

Primary Examiner—Louis S. Zarfes

Assistant Examiner—Robert A. Delehanty

Attorney, Agent, or Firm—Richard A. Zachar

[57] **CLAIM**

The ornamental design for an "electrically powered waxer/polisher", as shown and described.

DESCRIPTION

FIG. 1 is a perspective view of the electrically powered waxer/polisher showing my new design;

FIG. 2 is a right side elevational view thereof;

FIG. 3 is a left side elevational view thereof;

FIG. 4 is a front elevational view thereof;

FIG. 5 is a rear elevational view thereof; and,

FIG. 6 is a top plan view thereof.

Broken lines in the figures are for illustrative purposes only and represent an environment in connection with which the invention is used, and the broken lines form no part of the claimed design.

1 Claim, 4 Drawing Sheets

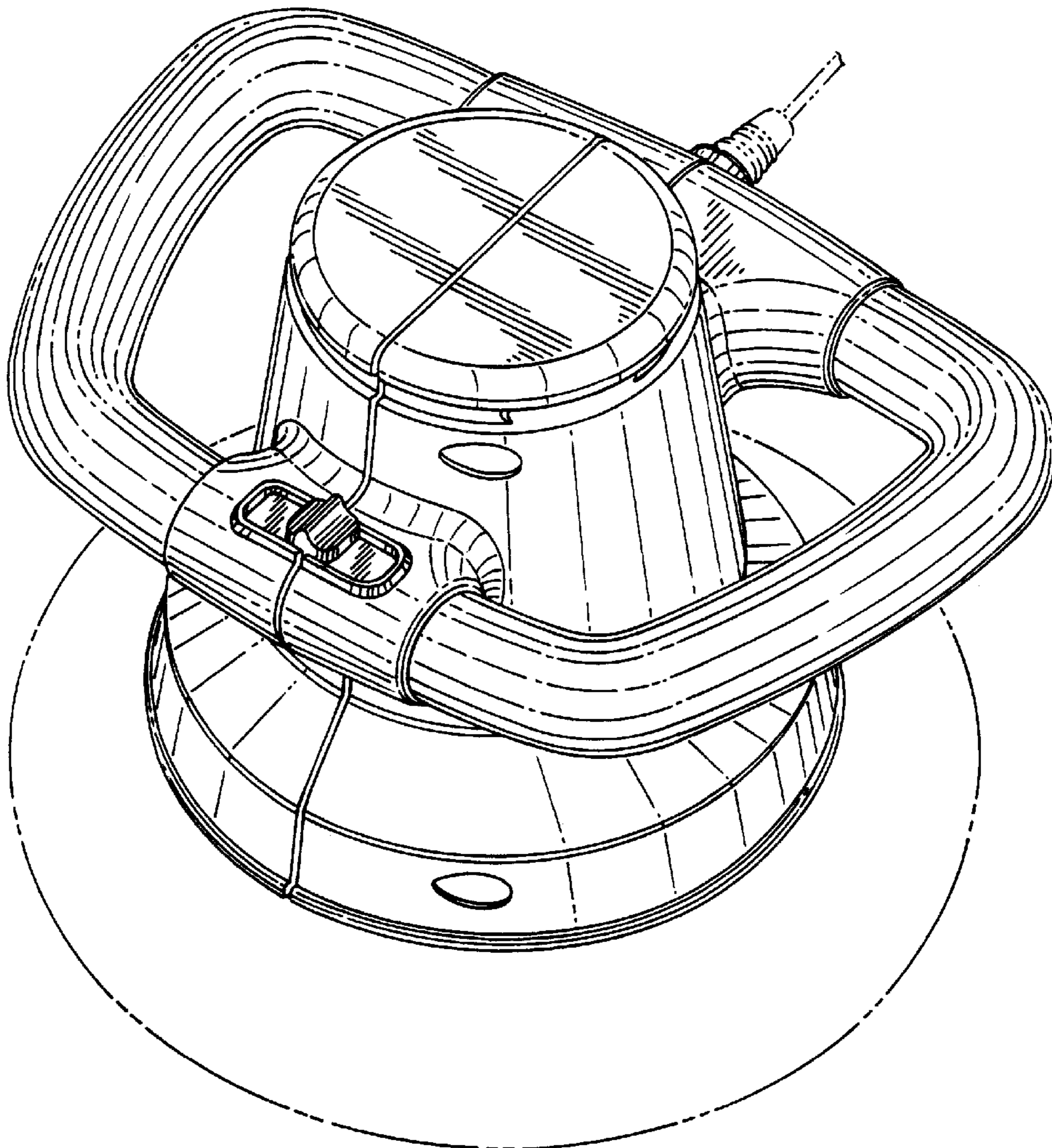


FIG. 1

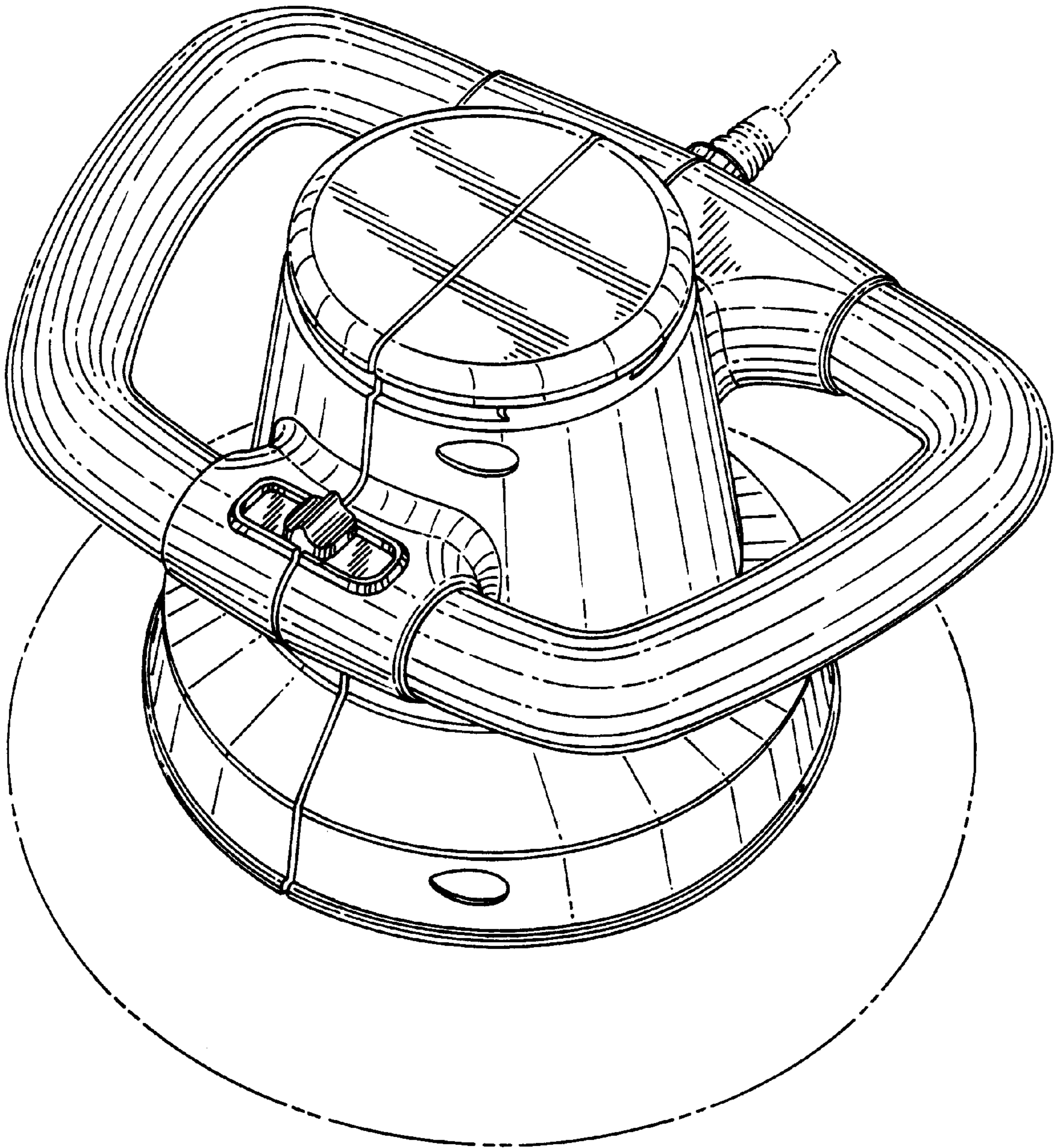


FIG. 2

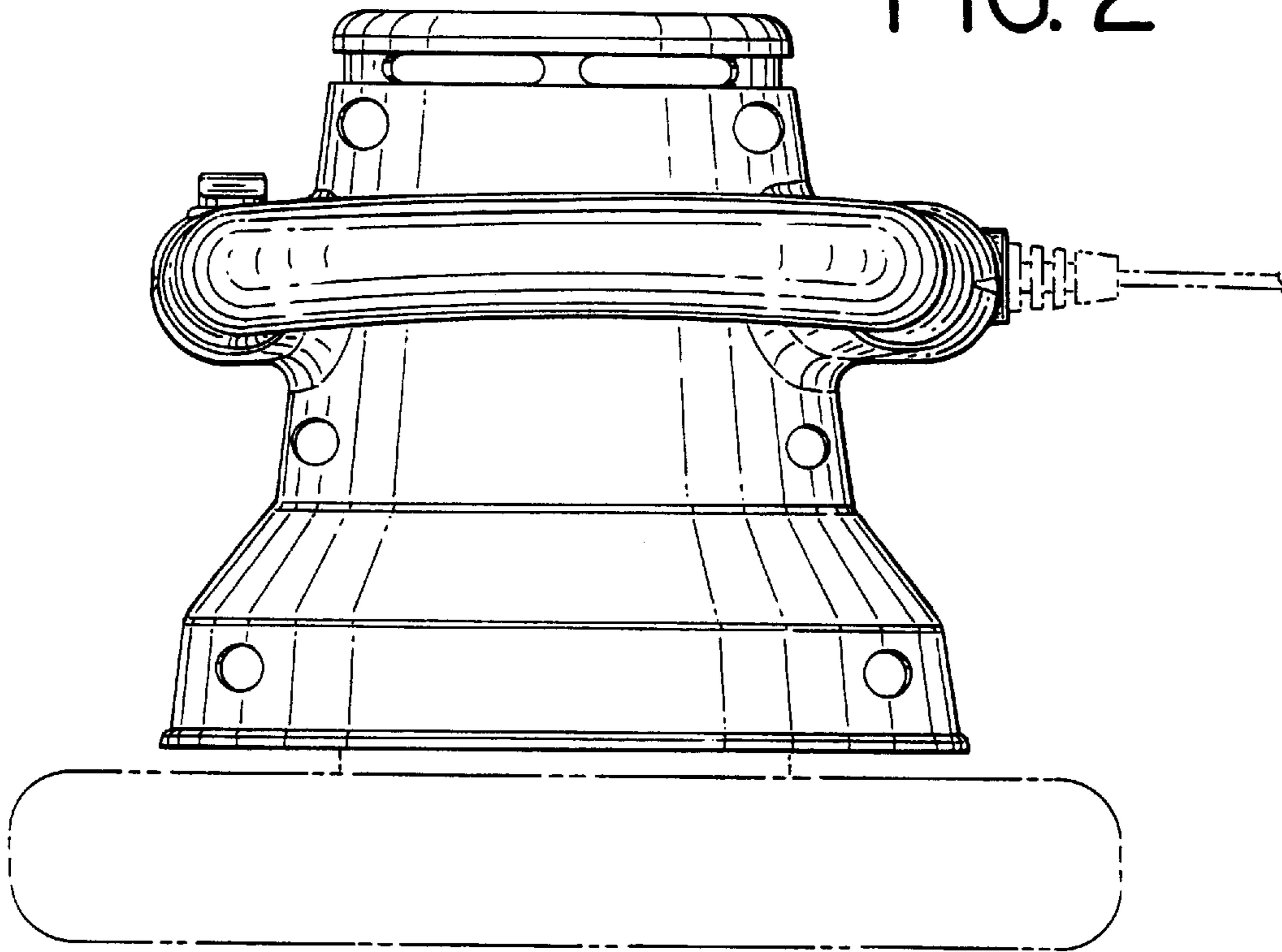


FIG. 3

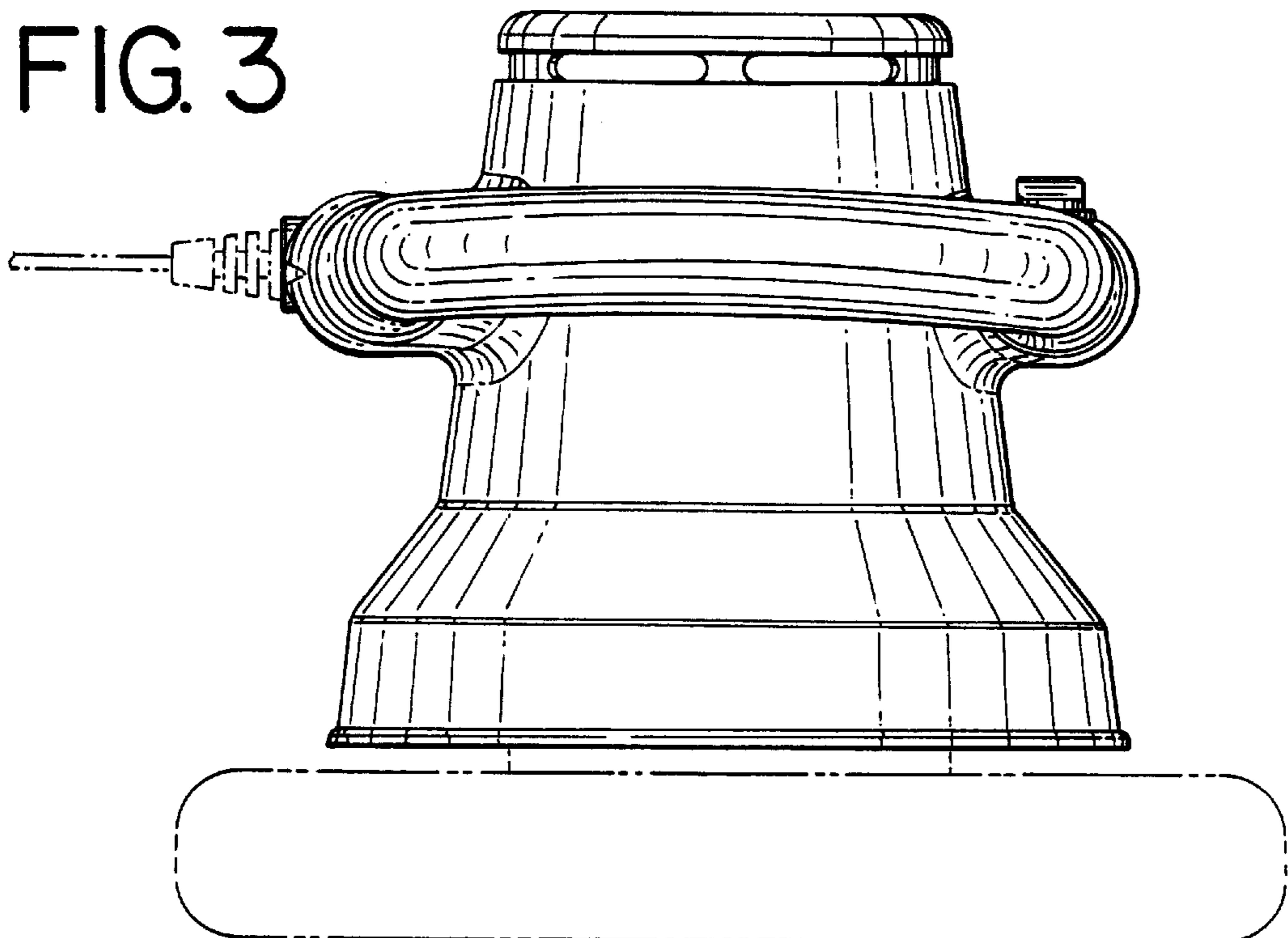


FIG. 4

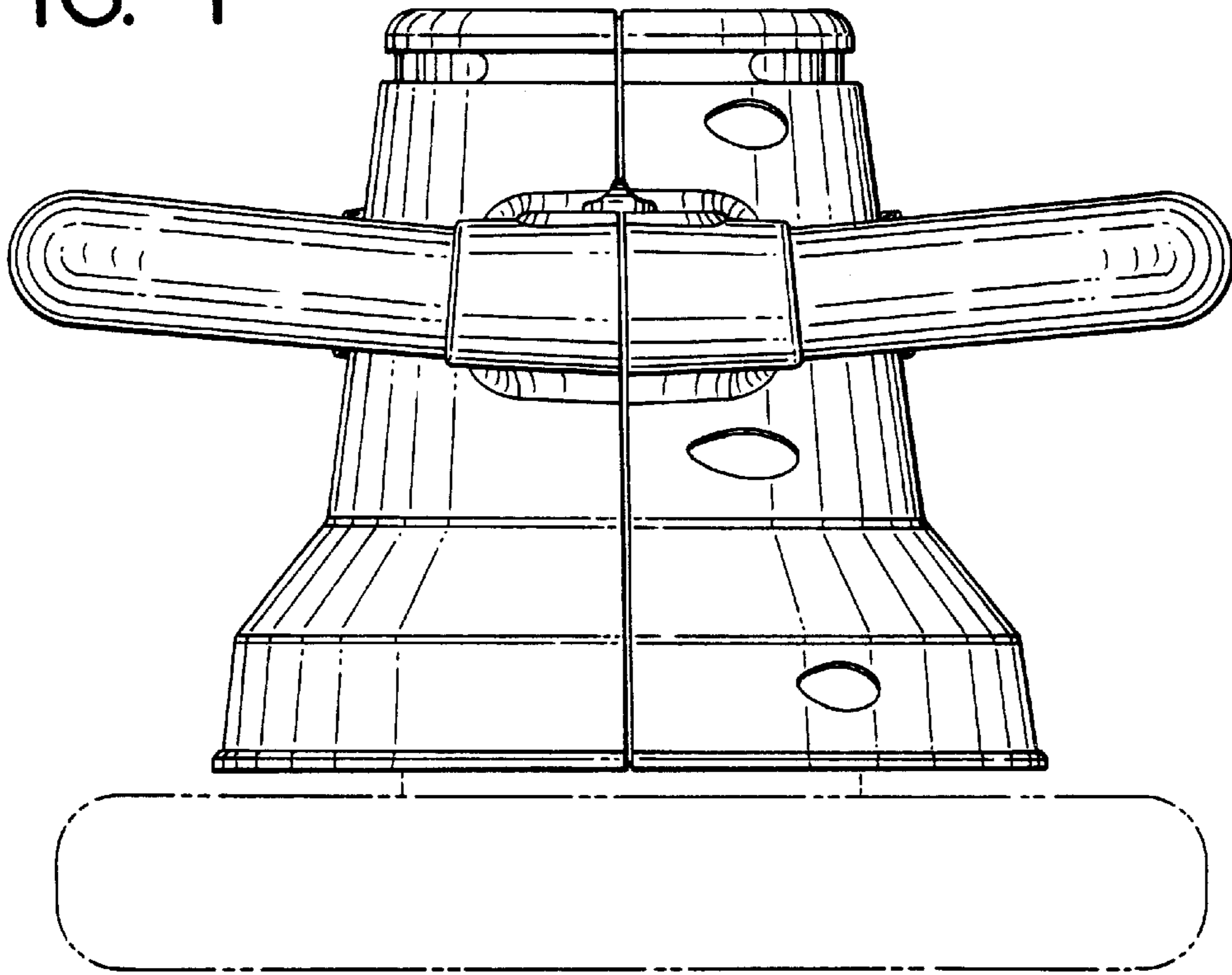


FIG. 5

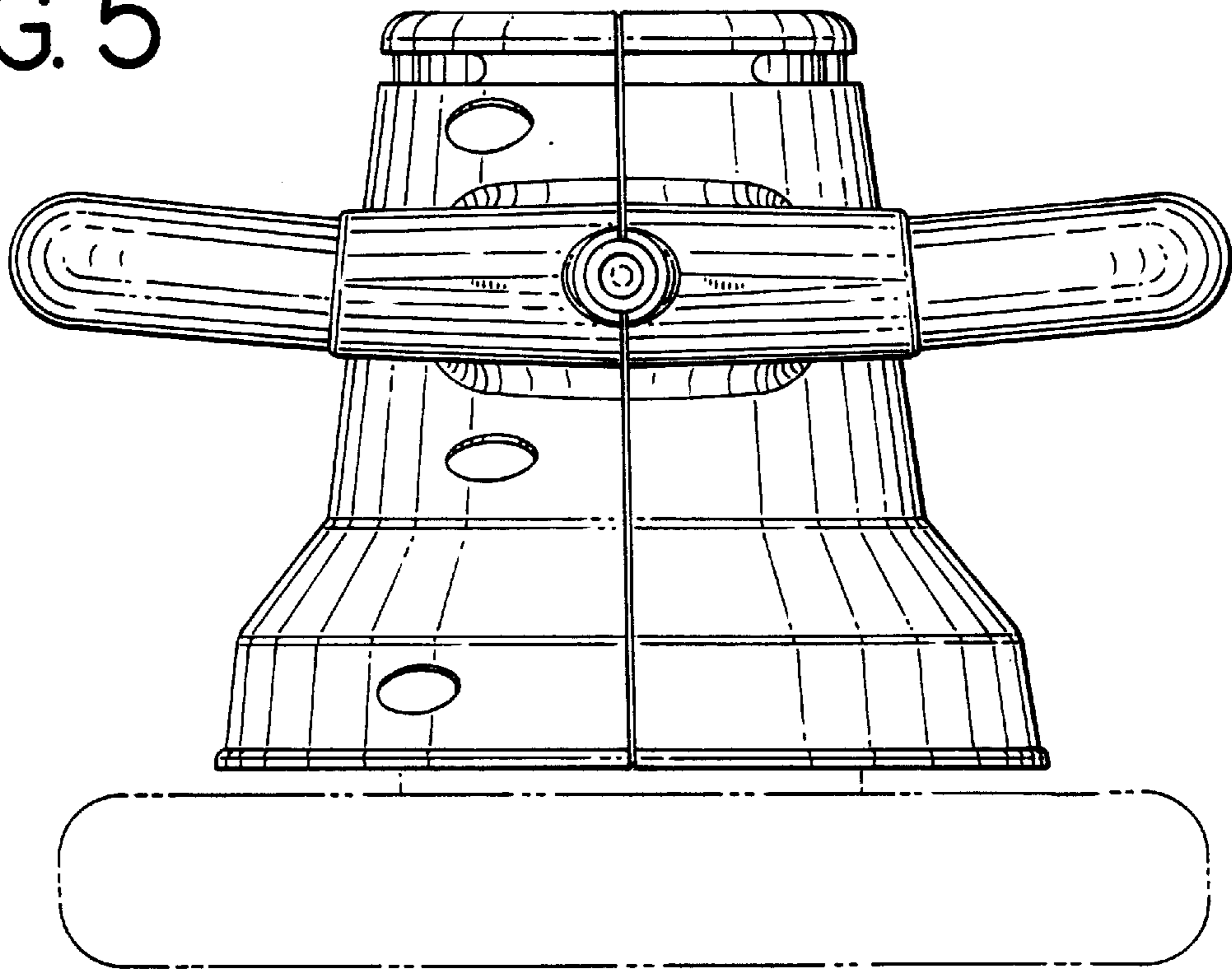


FIG. 6

