



US00D418261S

United States Patent [19]

Betts et al.

[11] Patent Number: **Des. 418,261**

[45] Date of Patent: **** Dec. 28, 1999**

[54] **SCOOP FOR COLLECTING DOG WASTE**

[76] Inventors: **Virginia Josephine Betts**, 27 Wilshaw House, Creekside, London., United Kingdom, SE8 4SF; **Denise Sheila Vale**, 52a Cricketfield Road, London, United Kingdom, E5 8NS

[**] Term: **14 Years**

[21] Appl. No.: **29/073,494**

[22] Filed: **Jul. 14, 1997**

[51] **LOC (6) Cl.** **30-99**

[52] **U.S. Cl.** **D30/162**

[58] **Field of Search** D30/162; 119/801, 119/795, 858; 294/1.3, 1.4, 55, 99.1, 99.2, 118-119; D7/686-687; D8/10, 13; 383/4; 248/101

[56] **References Cited**

U.S. PATENT DOCUMENTS

- D. 259,293 5/1981 Cooper D30/162
- D. 321,631 11/1991 Shaw D30/162
- D. 328,809 8/1992 Shooter 294/55

- D. 386,840 11/1997 Sturm D30/162
- 3,971,503 7/1976 Allan et al. 294/1.3
- 4,017,015 4/1977 Jefferson 294/1.3
- 4,272,116 6/1981 Tufte, Jr. 294/1.3
- 4,741,565 5/1988 Bagg 294/1.3
- 5,037,149 8/1991 Beck 294/1.3

Primary Examiner—Cathy Anne MacCormac
Attorney, Agent, or Firm—Richard C. Litman

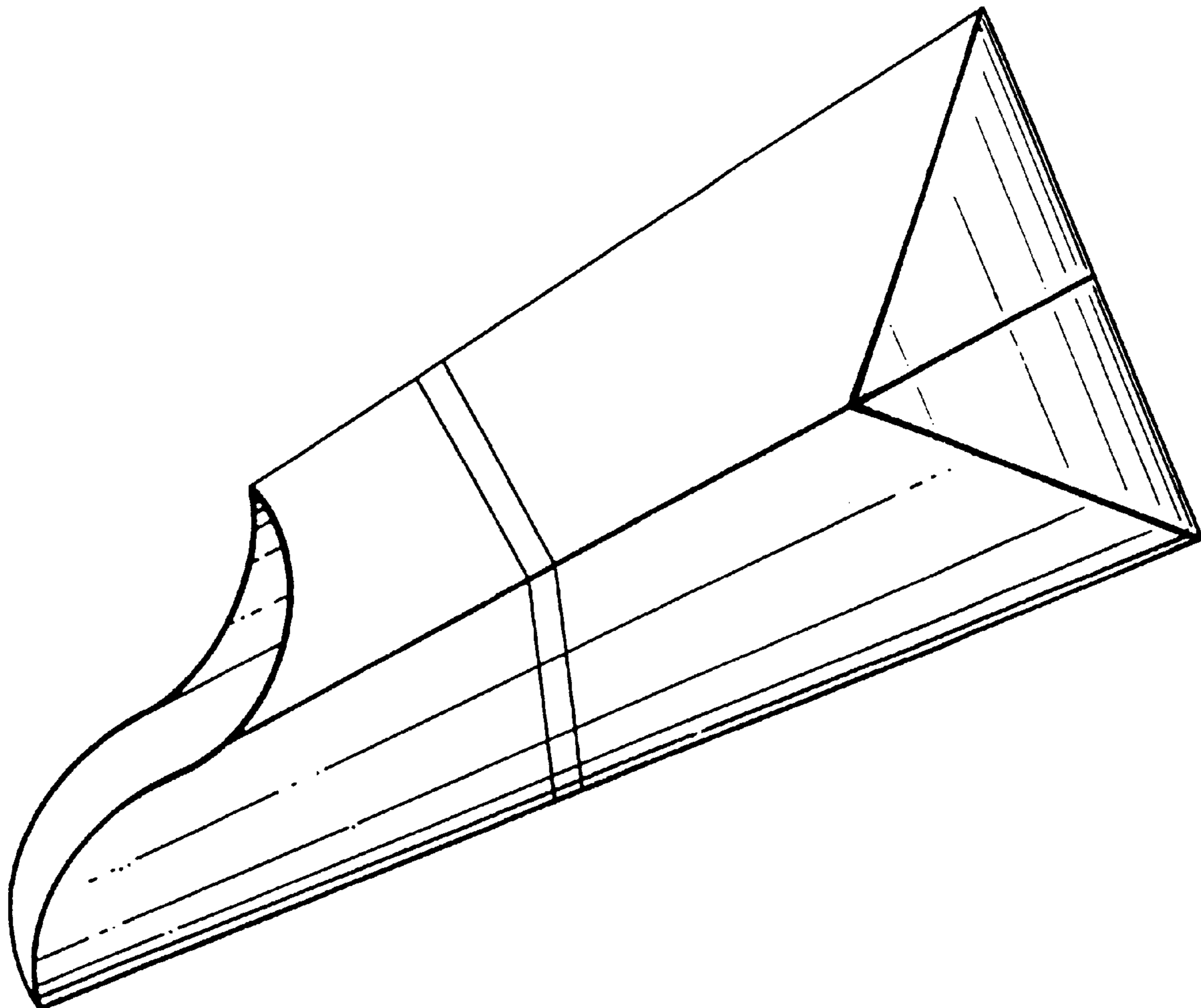
[57] **CLAIM**

The ornamental design for a scoop for collecting dog waste, as shown and described.

DESCRIPTION

FIG. 1 is a perspective view of a scoop for collecting dog waste showing our new design; FIG. 2 is a left side elevational view thereof; FIG. 3 is a right side elevational view thereof; FIG. 4 is a front elevational view thereof; FIG. 5 is a rear elevational view thereof; FIG. 6 is a top plan view thereof; and, FIG. 7 is a bottom plan view thereof. The broken line showing in the drawings represent perforations and creases.

1 Claim, 2 Drawing Sheets



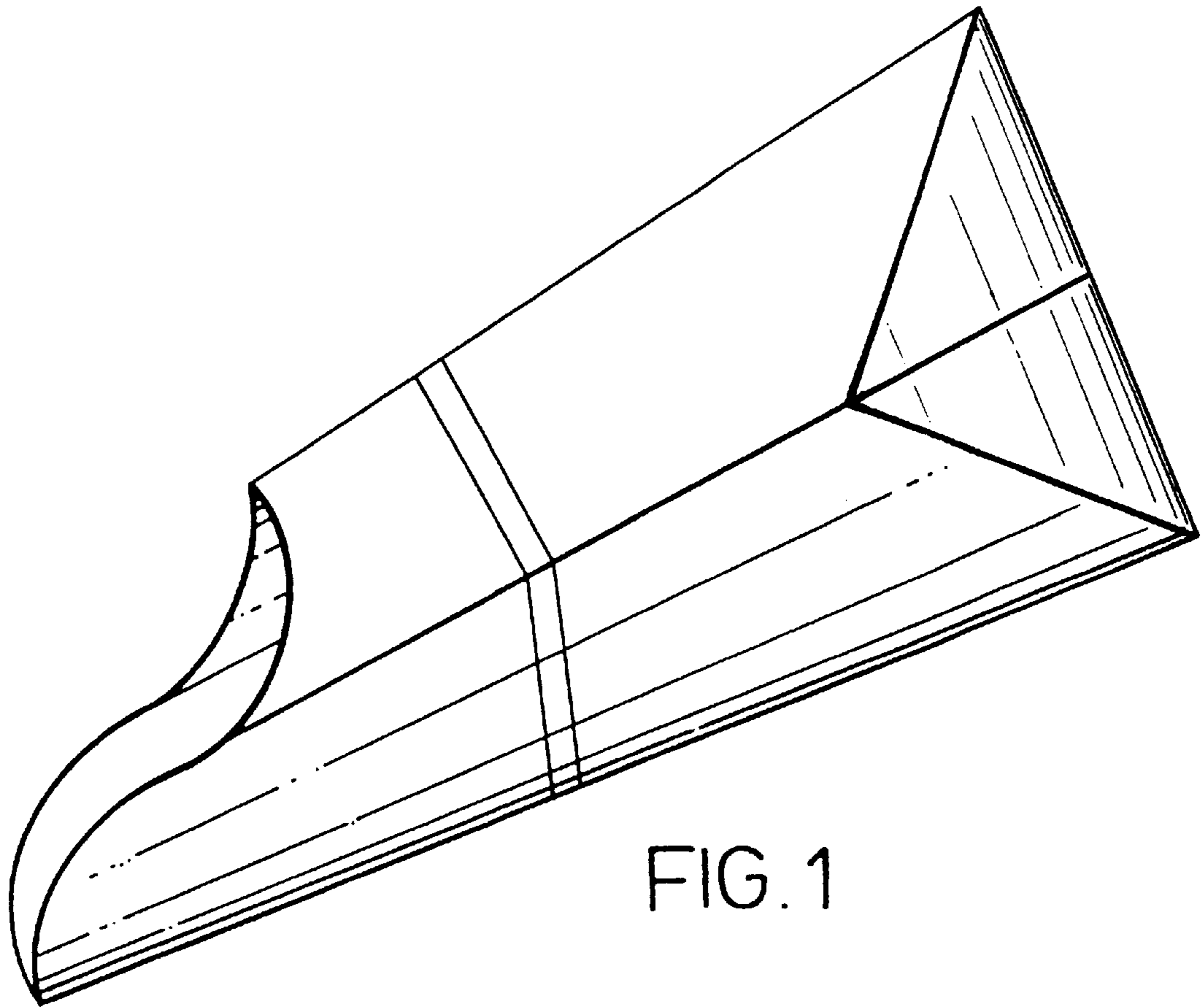


FIG. 1

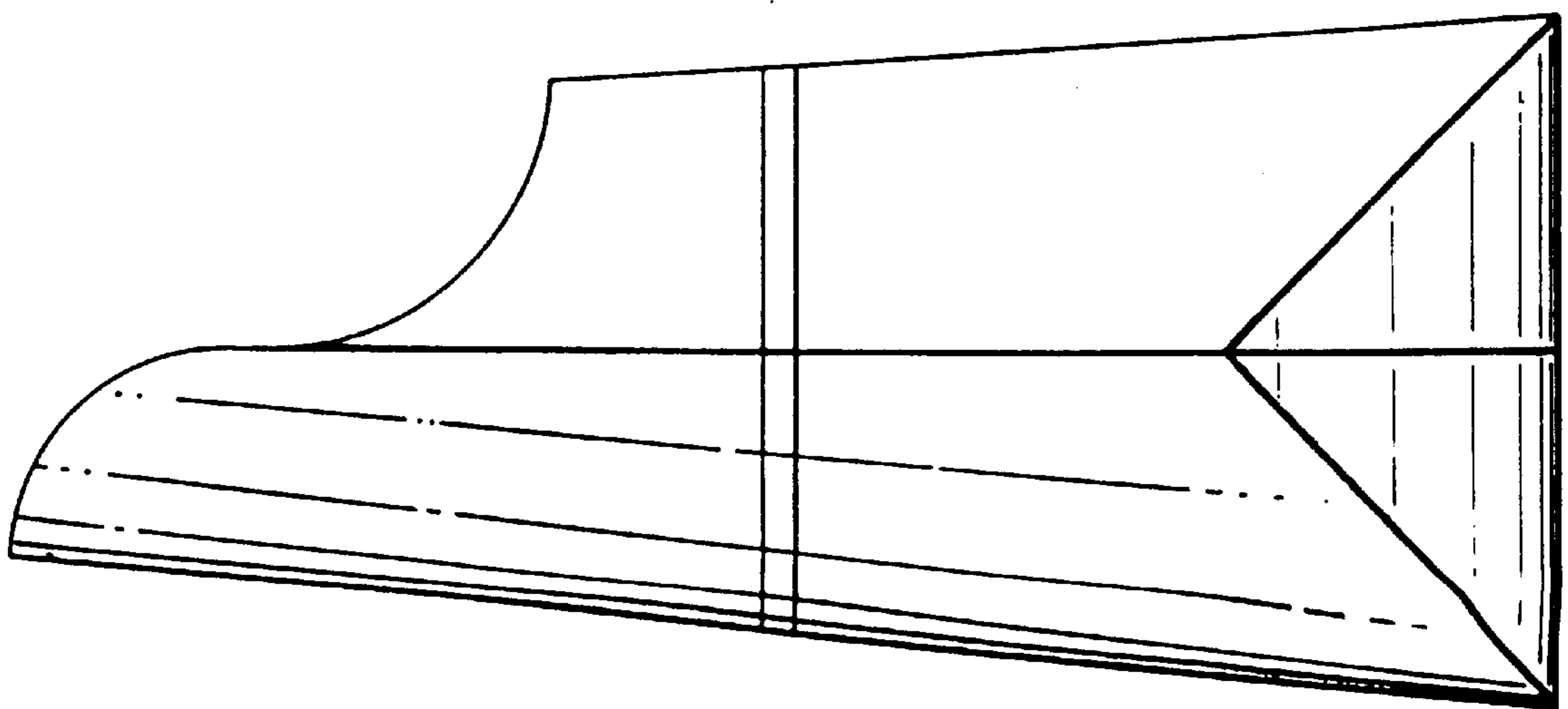


FIG. 2

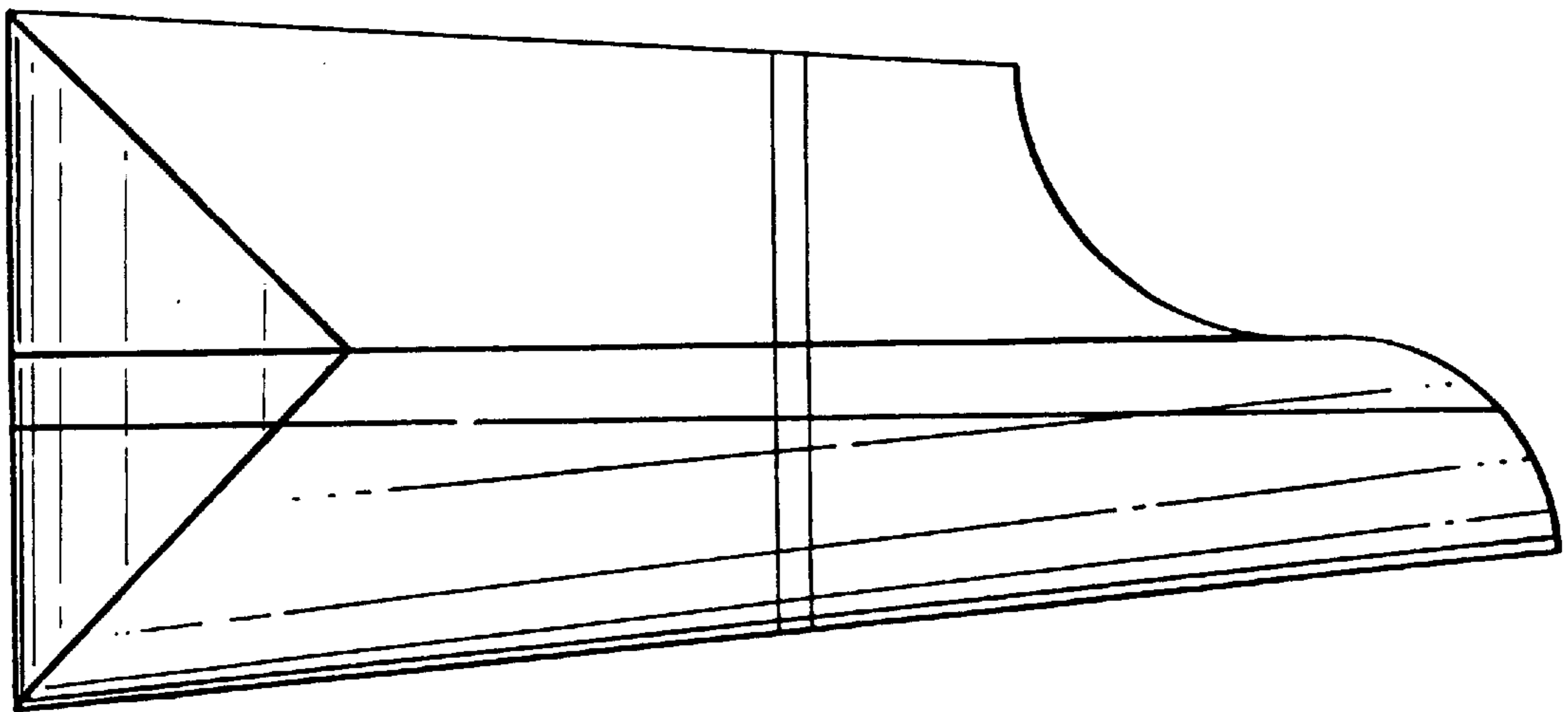


FIG. 3

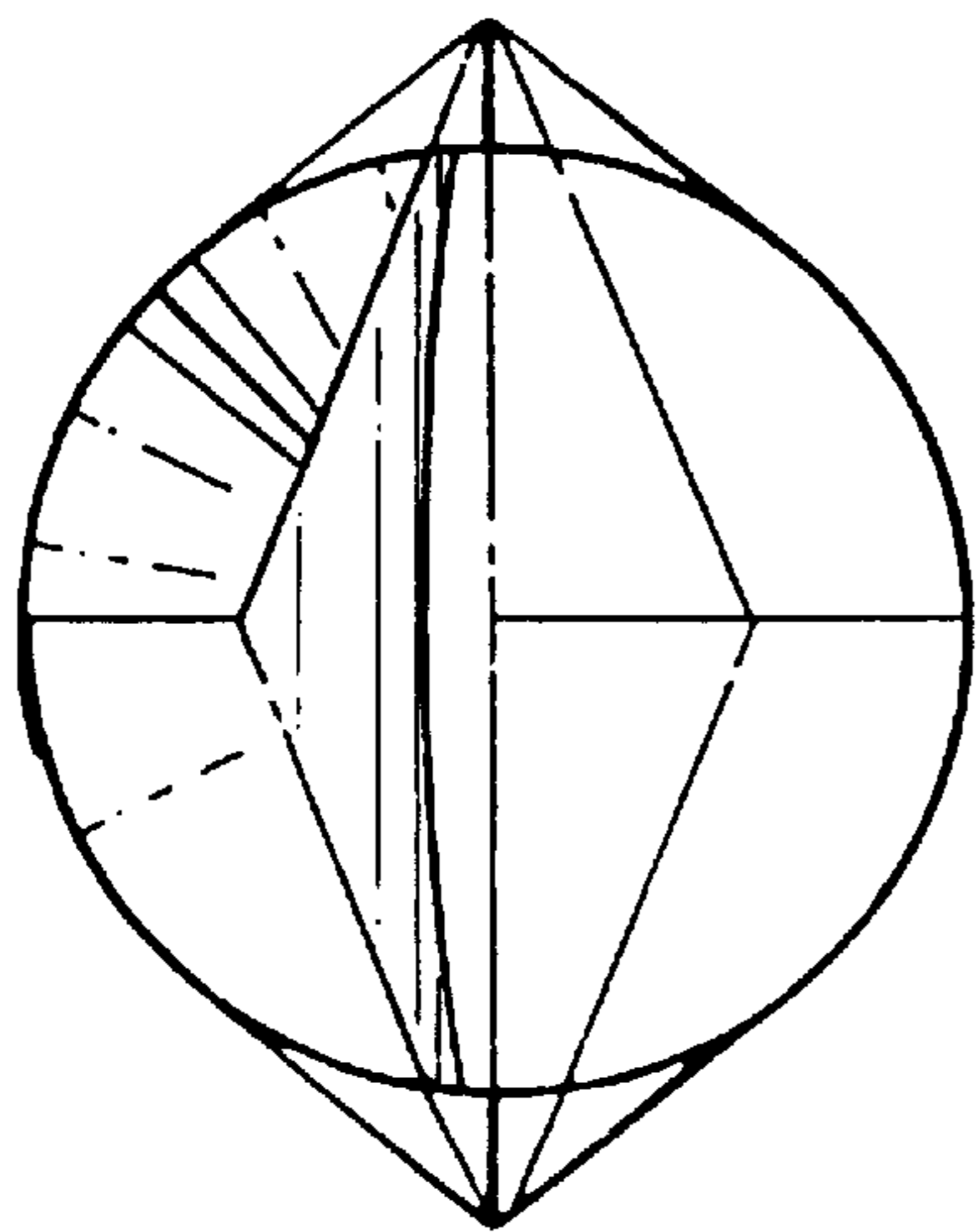


FIG. 4

FIG. 5

