



US00D418256S

United States Patent [19]
Caruana

[11] **Patent Number: Des. 418,256**

[45] **Date of Patent: ** Dec. 28, 1999**

[54] **WELDER'S FACE SHIELD**

[76] Inventor: **Charles Alfred Caruana**, 17 Gregory Street, South Strathfield New South Wales, Australia, 2136

[**] Term: **14 Years**

[21] Appl. No.: **29/087,995**

[22] Filed: **May 13, 1998**

[30] **Foreign Application Priority Data**

Nov. 13, 1997 [AU] Australia 3745/1997

[51] **LOC (6) Cl.** **29-02**

[52] **U.S. Cl.** **D29/110**

[58] **Field of Search** D29/102-111,
D29/122; 2/411, 412, 414, 417, 418, 421,
423, 425, 9

[56] **References Cited**

U.S. PATENT DOCUMENTS

- D. 200,757 4/1965 Hiatt et al. D29/107
- D. 306,363 2/1990 Stackhouse et al. D29/17
- D. 323,225 1/1992 Gallet D29/107

- D. 353,691 12/1994 Scanlon D29/110
- 2,834,017 5/1958 Simpson et al. 2/10
- 3,315,273 4/1967 Bullard 2/3
- 3,380,073 4/1968 McLaughlin D29/107
- 4,852,185 8/1989 Olson D29/110

OTHER PUBLICATIONS

New Equipment Digest, "Safety Helmet, Mark Ned-521" bottom right side of page, p. 45, Apr. 1978.

Primary Examiner—Ruth McInroy
Attorney, Agent, or Firm—James Ray & Associates

[57] **CLAIM**

I claim the ornamental design for the welder's face shield, as shown and described.

DESCRIPTION

FIG. 1 is a top plan view of a welder's face shield showing my new design;
FIG. 2 is a front elevational view thereof;
FIG. 3 is a side elevational view thereof;
FIG. 4 is a perspective view thereof; and,
FIG. 5 is a rear elevational view thereof.

1 Claim, 3 Drawing Sheets

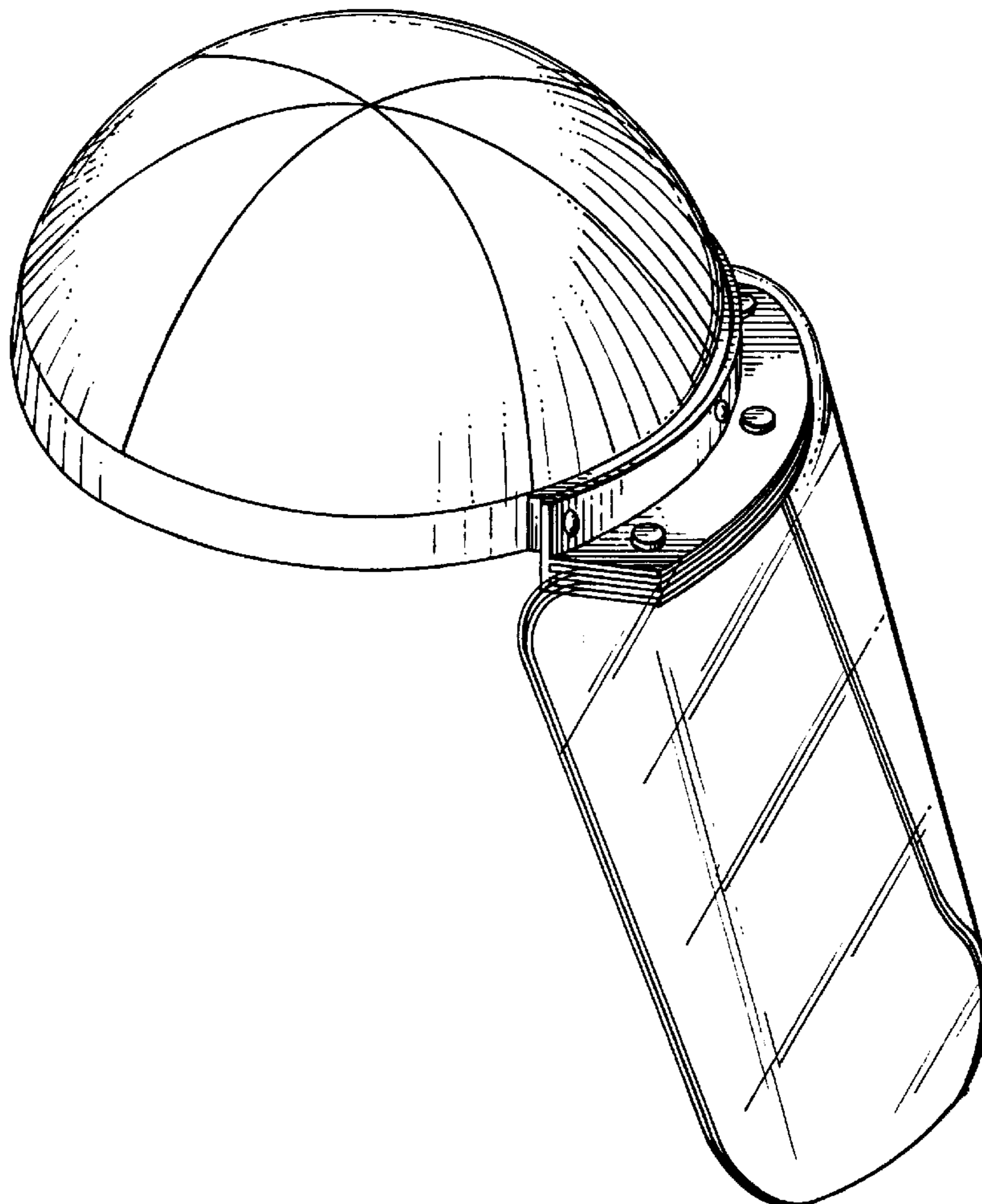


FIG. 1

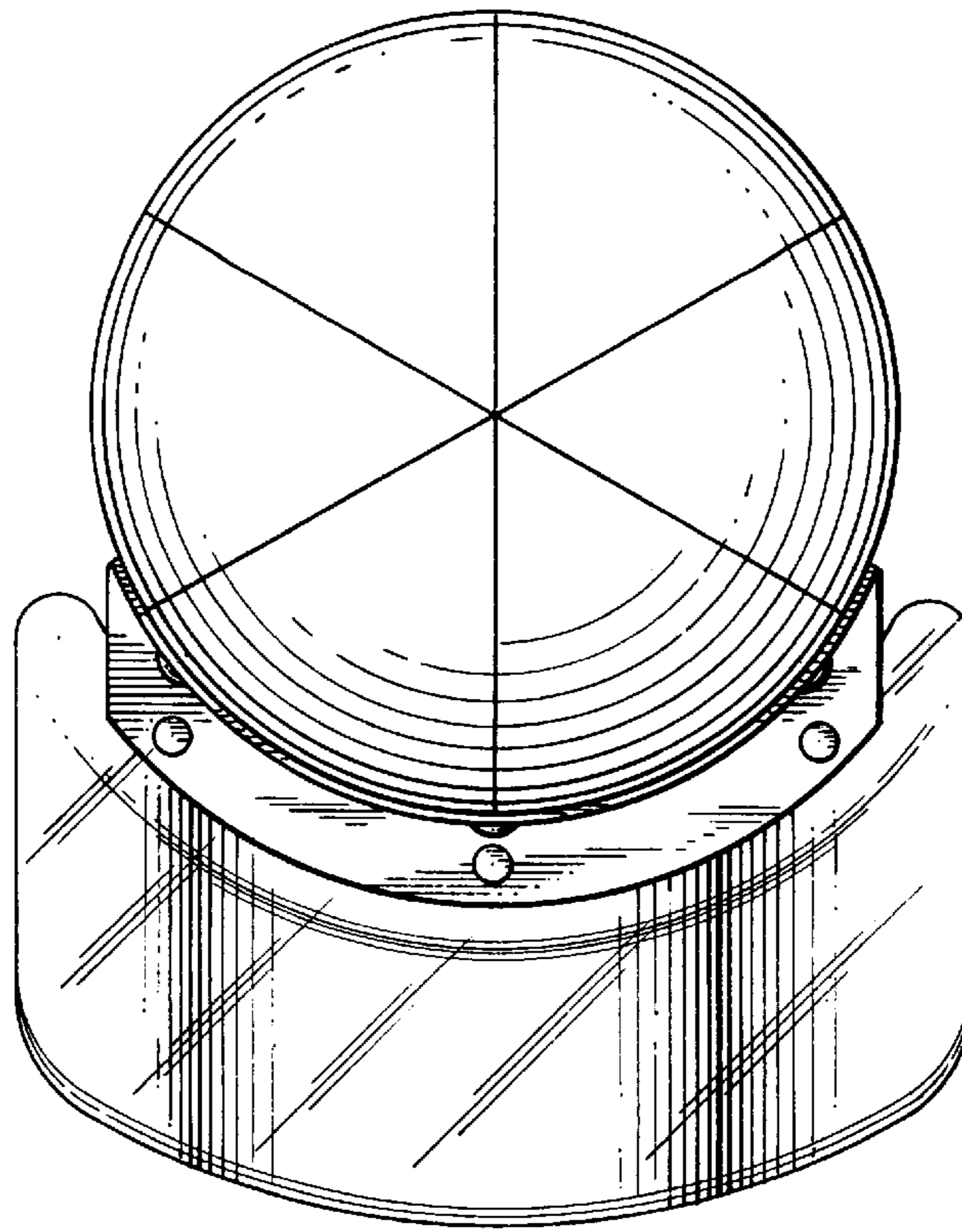
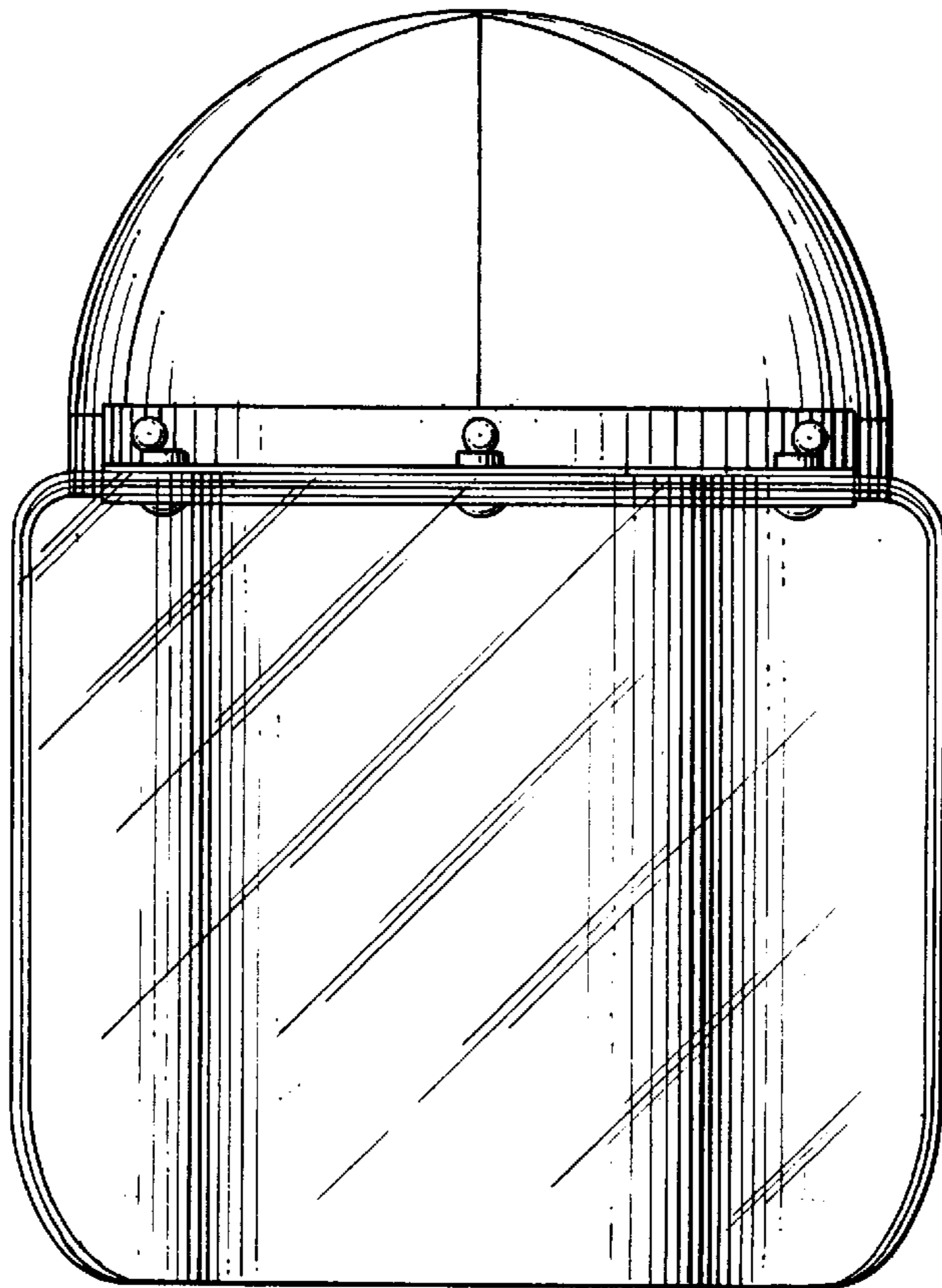


FIG. 2



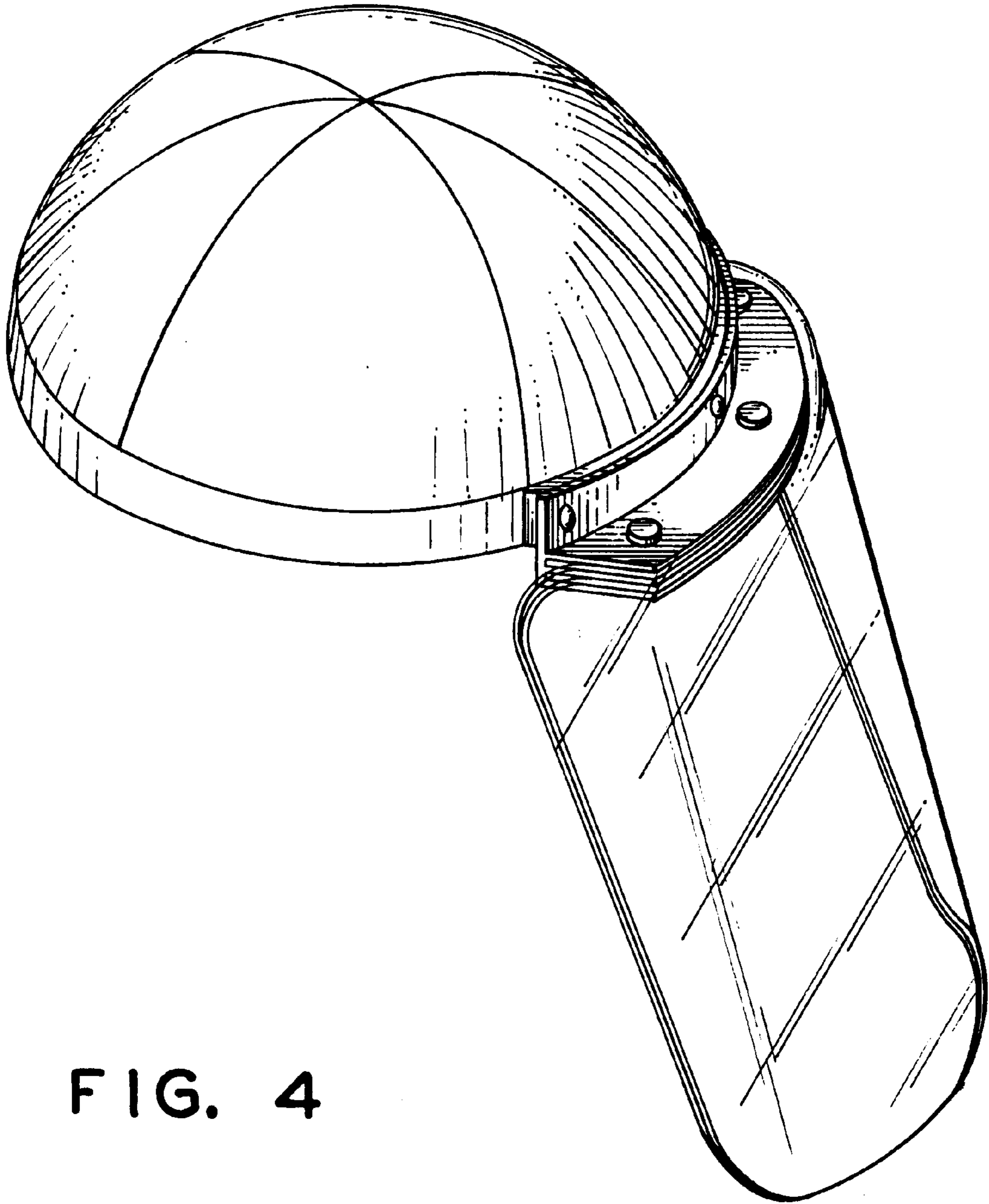


FIG. 4

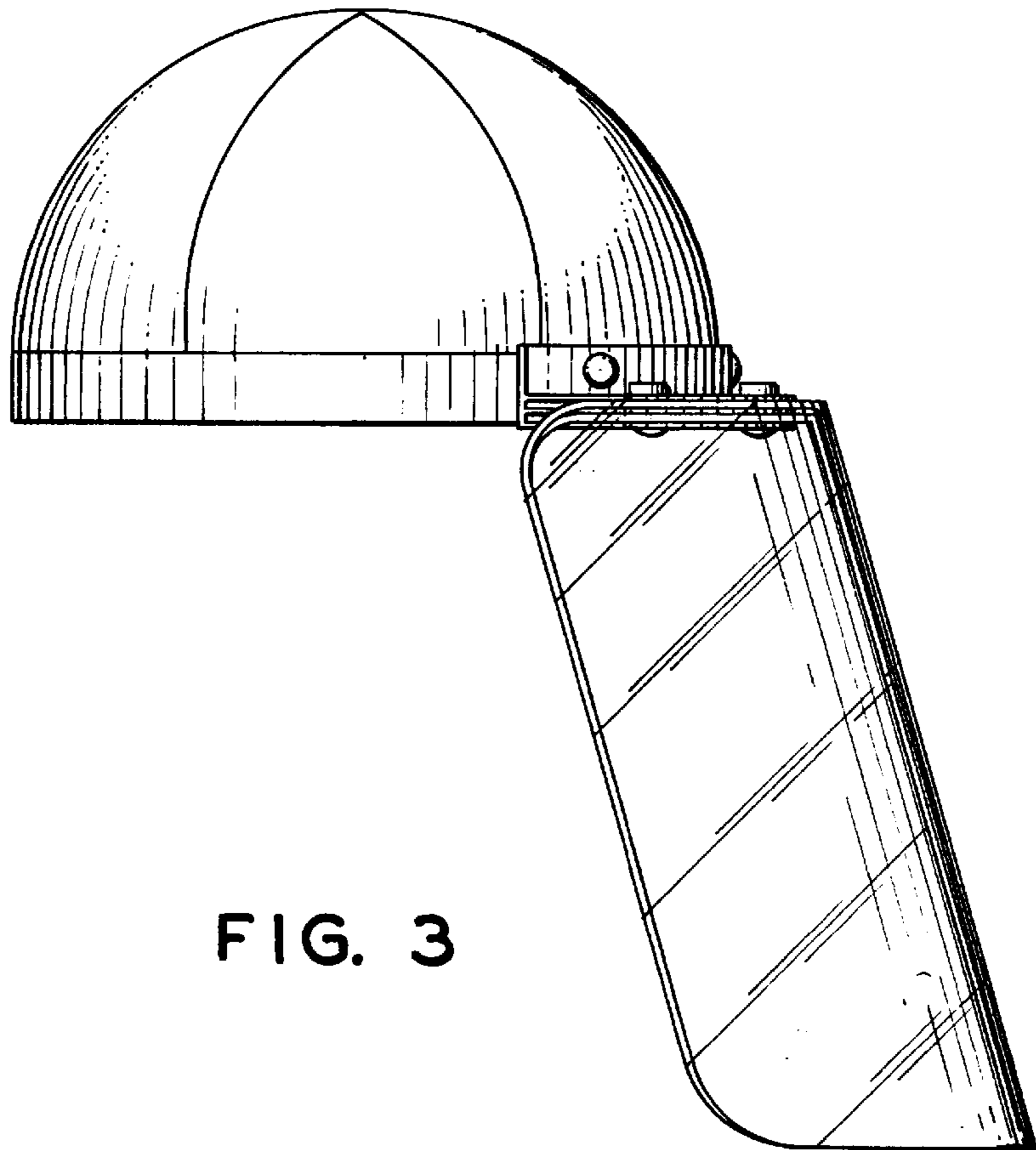


FIG. 3

FIG. 5

