



US00D418246S

United States Patent [19] Turri

[11] **Patent Number: Des. 418,246**

[45] **Date of Patent: ** Dec. 28, 1999**

[54] **SWAB FOR HYGIENIC OR BEAUTY TREATMENT**

[75] Inventor: **Achille Turri**, Morbio Inferiore, Switzerland

[73] Assignee: **Arslina S.A.**, Vacallo, Switzerland

[**] Term: **14 Years**

[21] Appl. No.: **29/080,101**

[22] Filed: **Dec. 1, 1997**

[30] **Foreign Application Priority Data**

May 30, 1997 [XH] Hague Agreement DMA 03732

[51] **LOC (6) Cl.** **28-02**

[52] **U.S. Cl.** **D28/7; D24/119**

[58] **Field of Search** D28/7; D24/119; 132/317, 318, 320; 604/1, 2, 3, 4, 11; 15/244.1, 209.1, 210.1, 143.1, 104.94

[56] **References Cited**

U.S. PATENT DOCUMENTS

102,351	4/1870	Wood	15/244.1
247,616	9/1881	Coles et al.	15/244.1
D. 318,730	7/1991	Schiavo	D24/119
1,456,394	5/1923	Merritt	15/209.1 X
1,693,581	11/1928	Etling	606/161
1,980,826	11/1934	Reiss	606/161
3,568,236	3/1971	Aston	15/244.1
3,577,582	5/1971	Aston	15/244.1

3,591,885	7/1971	Fritzen, Jr.	15/210.1
5,120,301	6/1992	Wu	604/3
5,531,671	7/1996	Bennett	604/1
5,735,808	4/1998	Delgado et al.	604/1

FOREIGN PATENT DOCUMENTS

0 158 543	10/1985	European Pat. Off.	.
0 556 432 A1	8/1993	European Pat. Off.	.
1582734	10/1969	France	.
505574	8/1930	Germany	601/137
94 05 119 U	7/1994	Germany	.
334132	8/1930	United Kingdom	.

Primary Examiner—Ted Shooman
Assistant Examiner—C Tuttle
Attorney, Agent, or Firm—Larson & Taylor

[57] **CLAIM**

The ornamental design for a swab for hygienic or beauty treatment, as shown and described.

DESCRIPTION

FIG. 1 is a top plan view of the assembled article. The bottom plan view of the assembled article is identical to the top plan view shown in FIG. 1.

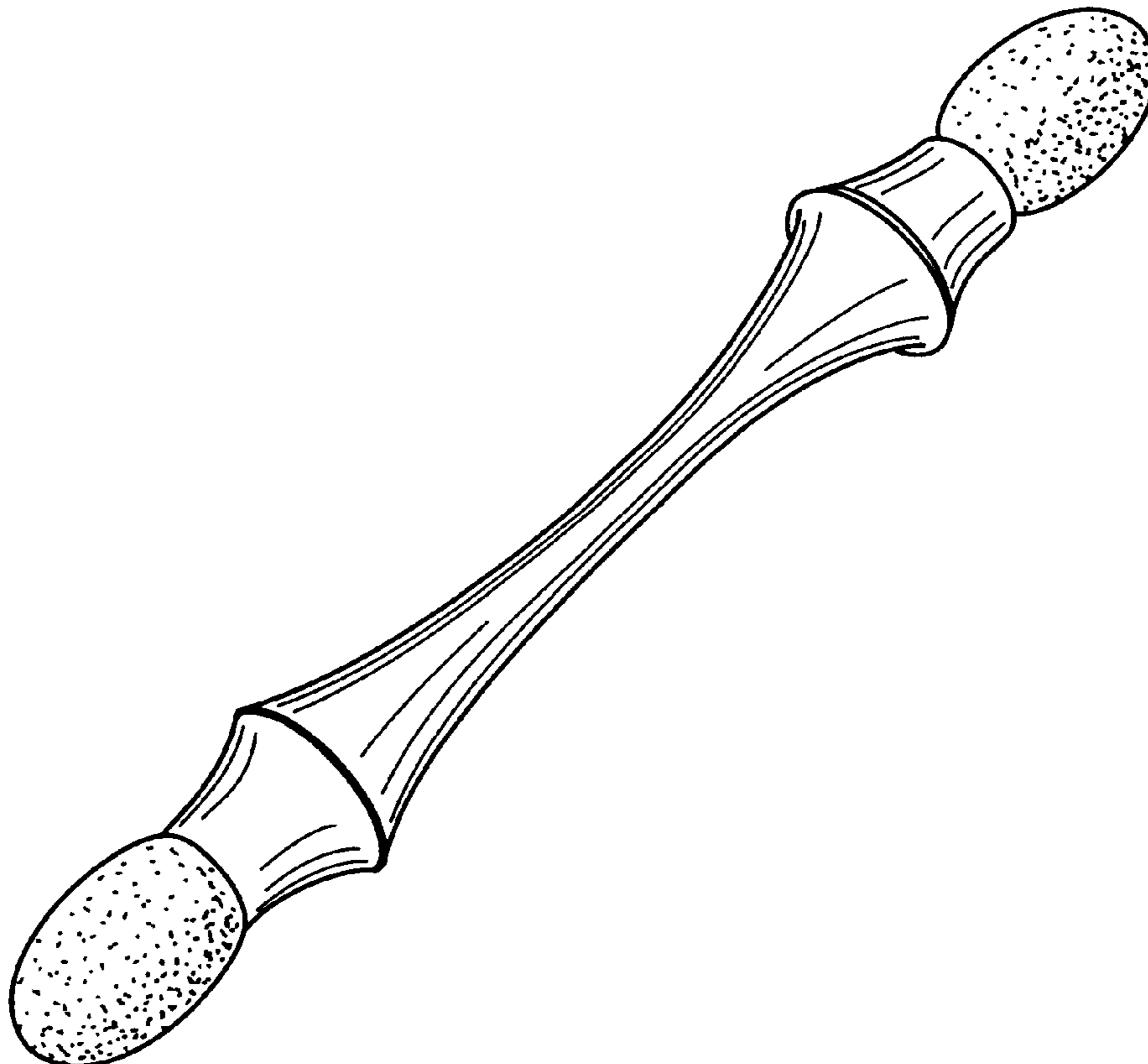
FIG. 2 is an end view of the assembled article. Both end views are identical.

FIG. 3 is a perspective view of the assembled article.

FIG. 4 is a top view showing the parts separated for clarity and completeness of disclosure; and,

FIG. 5 is an exploded perspective view.

1 Claim, 3 Drawing Sheets



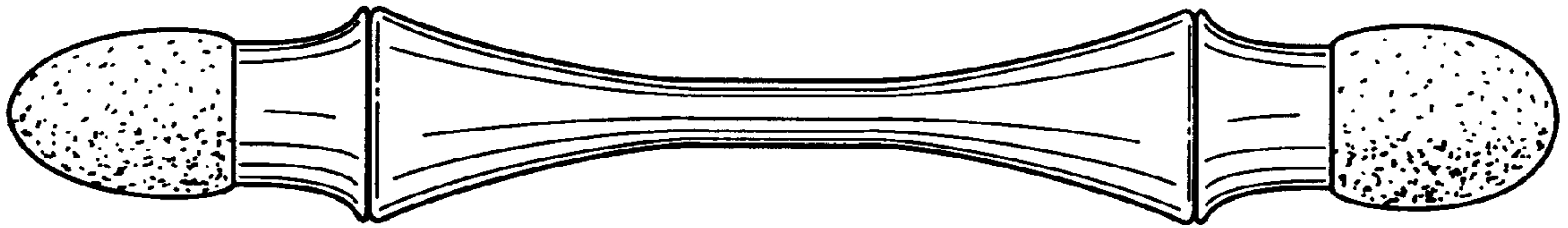


FIG. 1

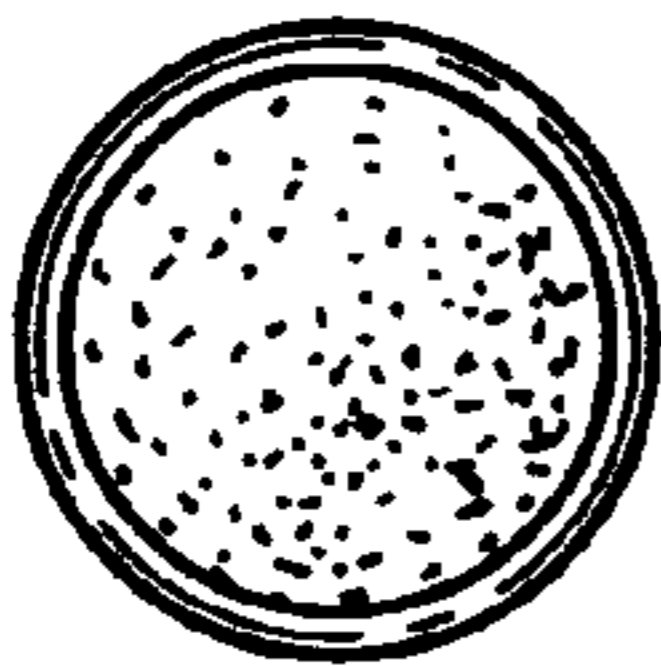


FIG. 2

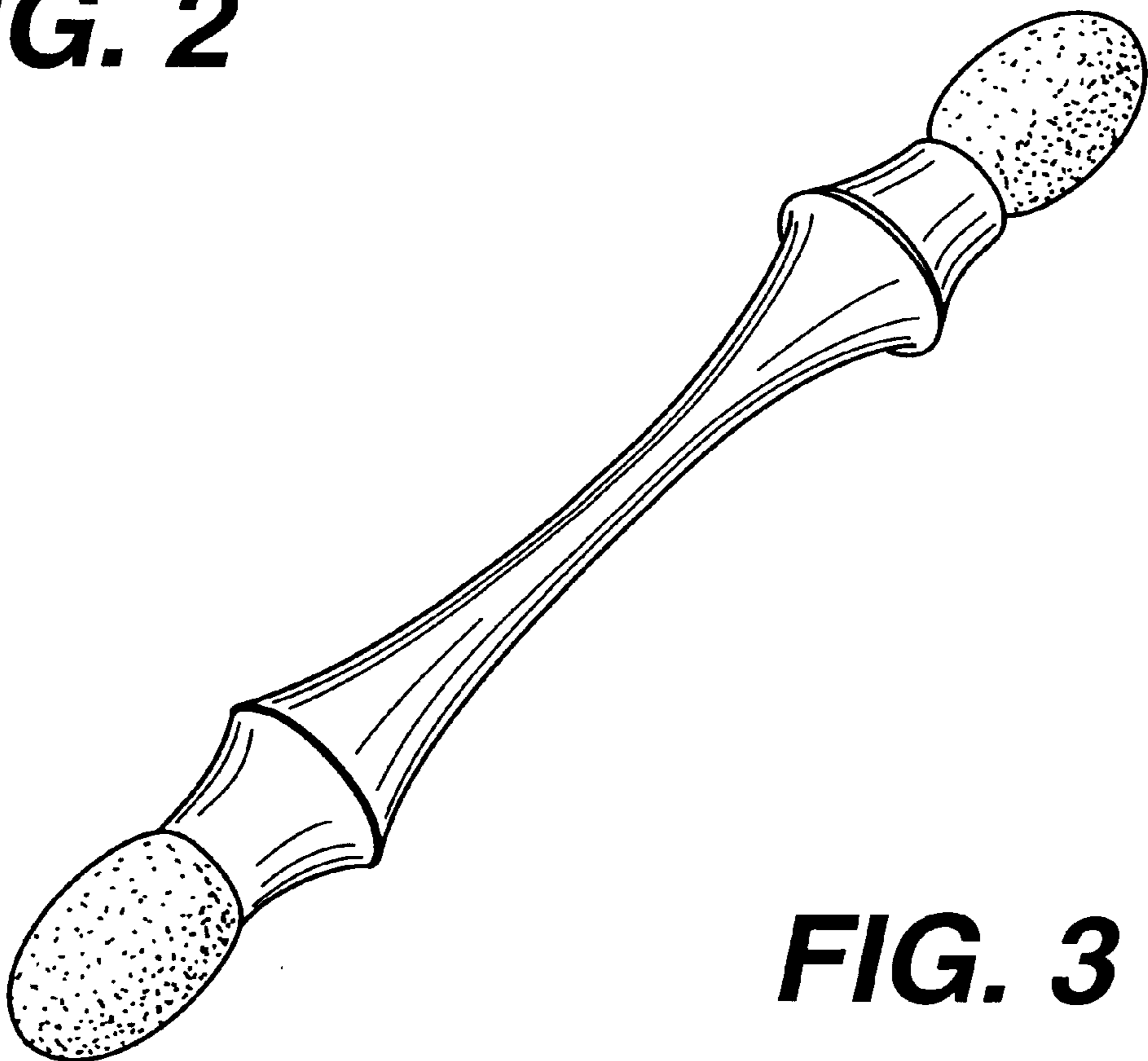


FIG. 3

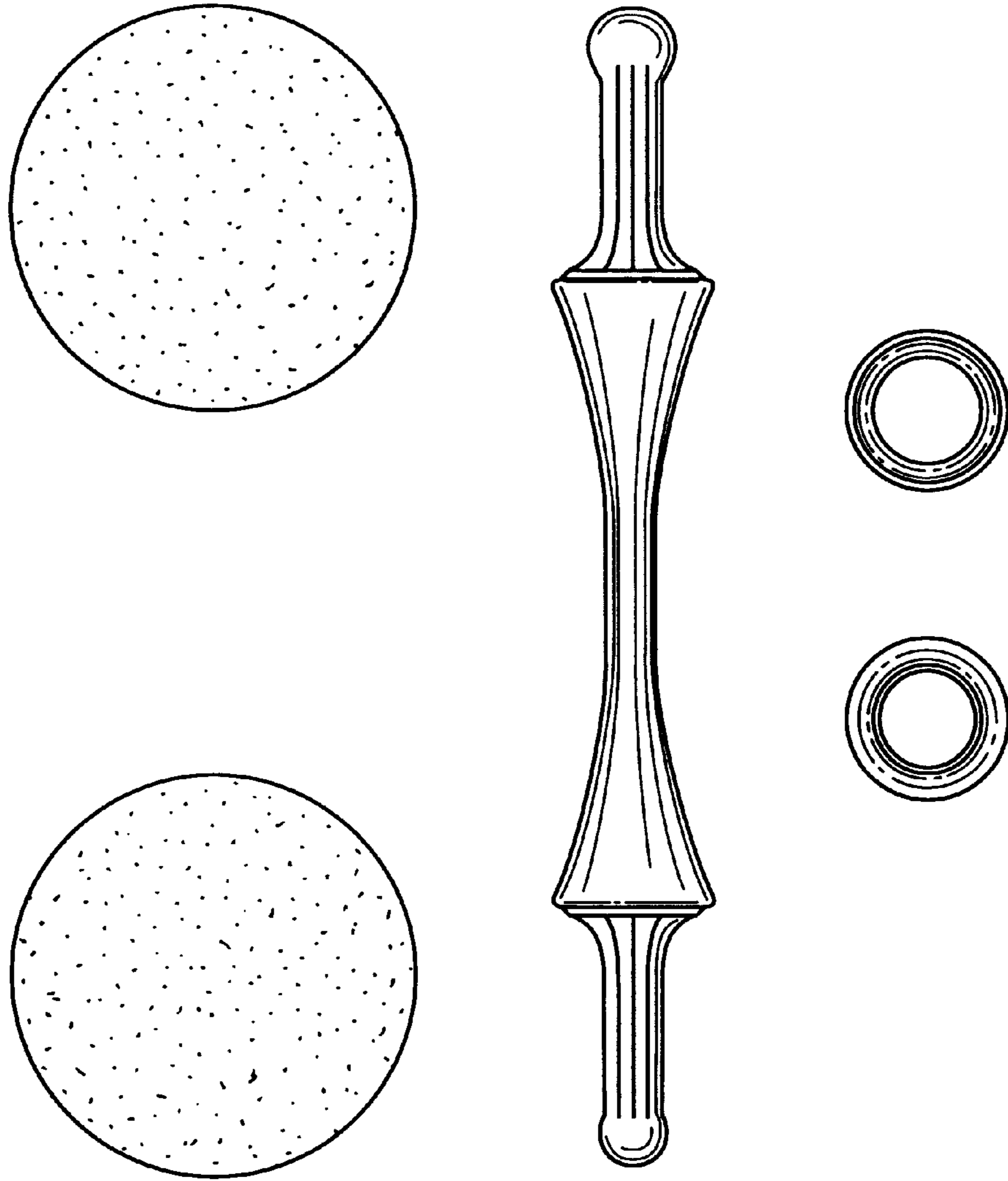


FIG. 4

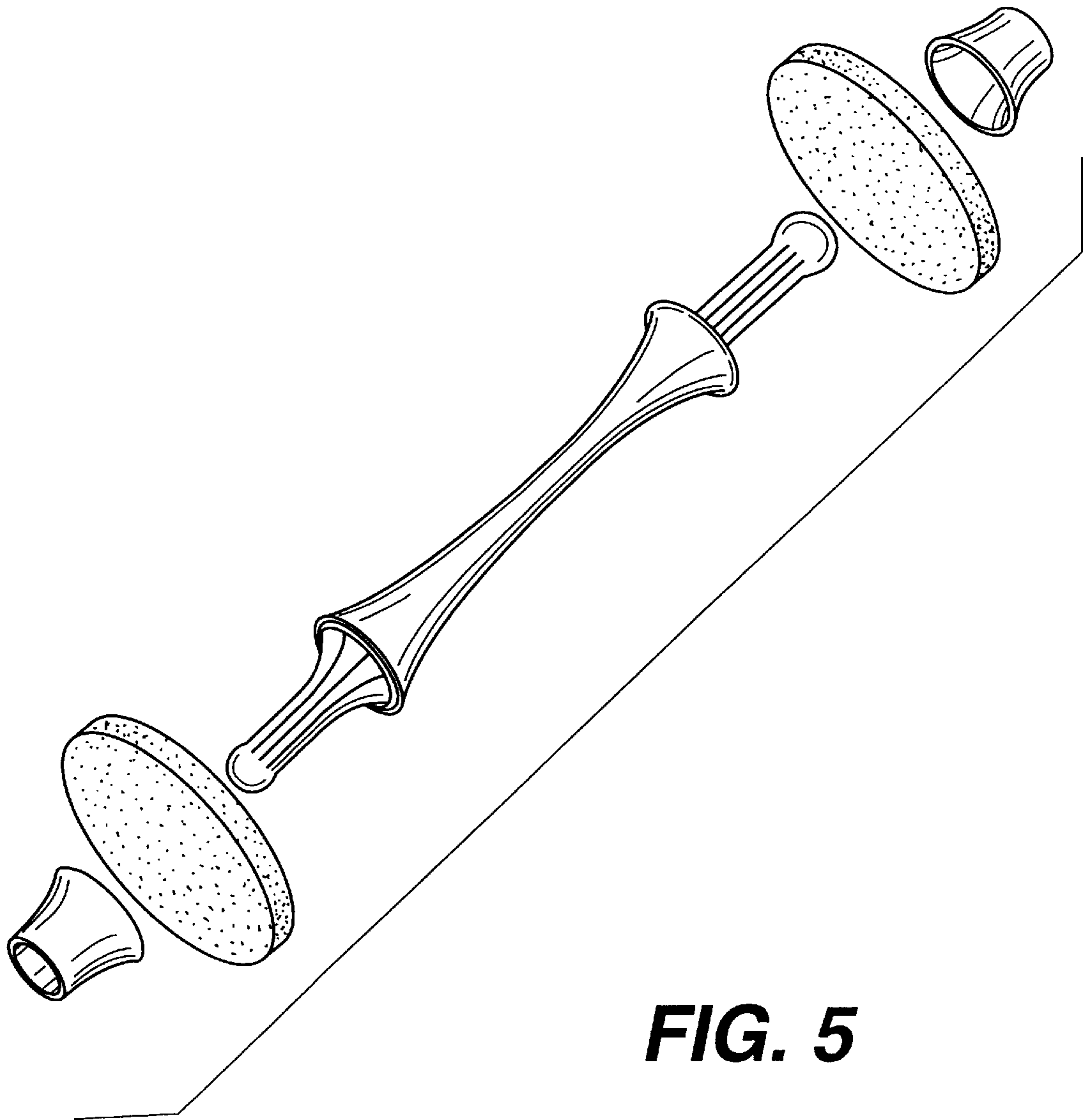


FIG. 5