



US00D418244S

United States Patent [19]

Meck et al.

[11] Patent Number: **Des. 418,244**

[45] Date of Patent: **** Dec. 28, 1999**

[54] **EXTERIOR LANTERN**

[75] Inventors: **Leslie A. Meck**, Fleetwood; **Rockwood T. Roberts, III**, Shillington, both of Pa.

[73] Assignee: **Baldwin Hardware Corporation**, Reading, Pa.

[**] Term: **14 Years**

[21] Appl. No.: **29/095,826**

[22] Filed: **Oct. 30, 1998**

[51] **LOC (6) Cl.** **26-05**

[52] **U.S. Cl.** **D26/87**

[58] **Field of Search** D26/87, 72, 85,
D26/88, 89, 92, 67, 68, 69, 70; 362/147,
431, 432, 363, 367

[56] **References Cited**

U.S. PATENT DOCUMENTS

D. 354,150 1/1995 Porter D26/87 X

OTHER PUBLICATIONS

Bright lighting catalog, p. 75, wall lantern # 3004A, ceiling lamp box, Jan. 1995.

Hinkley lighting catalog, p. 58, oval wall plate, ceiling lamp box, 1987.

Home Lighting and Accessories, p. 48, wall lantern, # 62880-05, ceiling lamp box, Jun. 1996.

Homecoming Troy Lighting Lantern Collection City of Industry, California, pp. 23, 24, 20, 28, 34, 60, prior to filing date.

Progress Lighting Spartanburg, South Carolina, pp. 188, 161, 164, 168, 185, 184, 186, 196, 198, prior to filing date. American Lantern Company Newport, pp. 48, 22, 45, 47, 43, 61, 62, Arkansas, prior to filing date.

Sea Gull Lighting Products, Inc. Riverside New Jersey, pp. 14, 20, 21, 17, 23, 1993.

Hinkley Lighting, Inc. Cleveland, Ohio, pp. 88, 94, 1990. Dinico Products, Inc. Hackensack, New Jersey, pp. 31, 47, prior to filing date.

Primary Examiner—Susan J. Lucas

Attorney, Agent, or Firm—Myron B. Kapustij; Lloyd D. Doigan

[57] **CLAIM**

The ornamental design for an exterior lantern, as shown and described.

DESCRIPTION

FIG. 1 is a front perspective view of an exterior lantern showing our new design;

FIG. 2 is a front elevational view thereof;

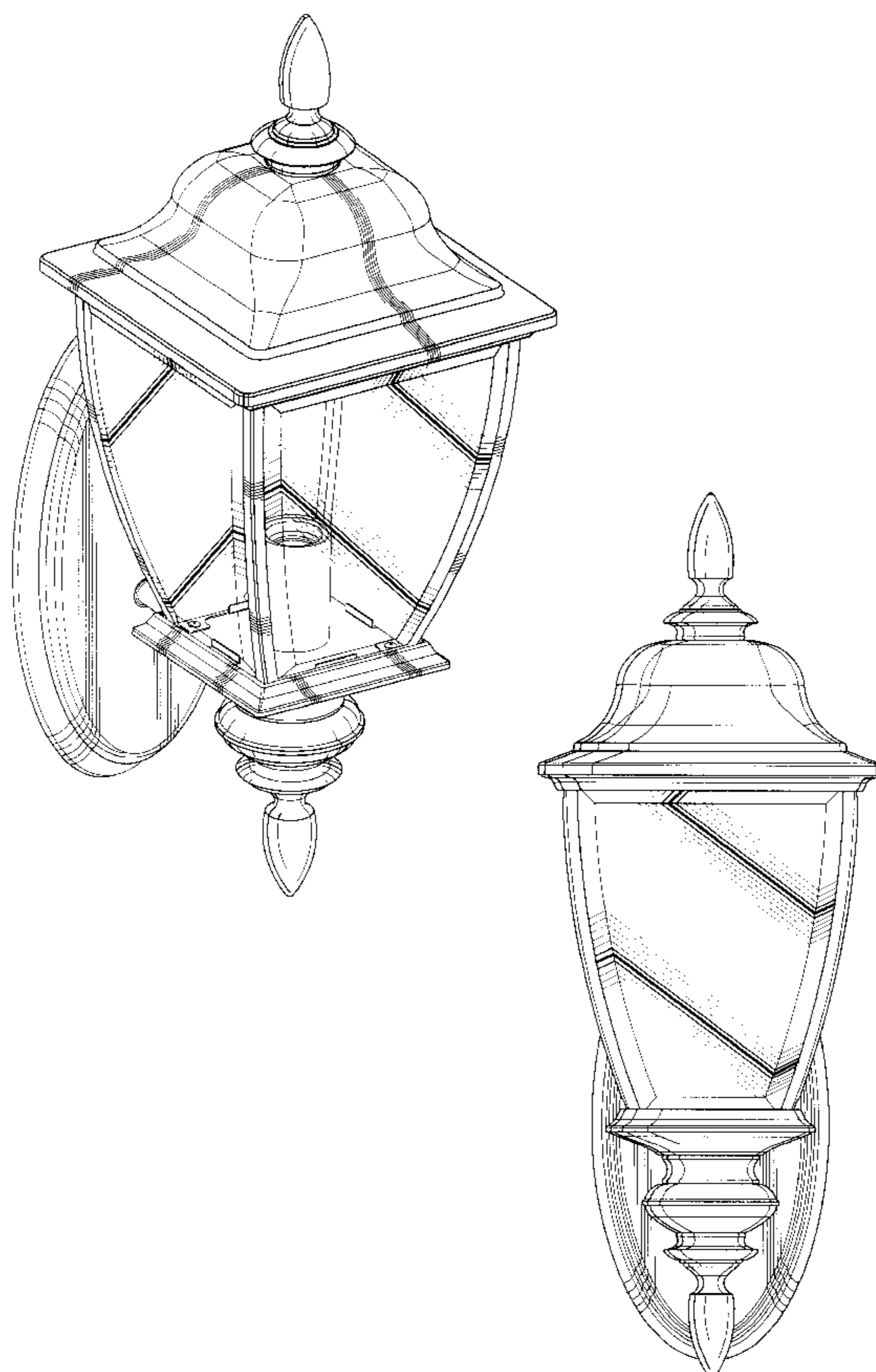
FIG. 3 is a right side elevational view thereof, the left side being a mirror image;

FIG. 4 is a top plan view thereof;

FIG. 5 is a bottom plan view thereof; and,

FIG. 6 is a rear elevational view thereof.

1 Claim, 3 Drawing Sheets



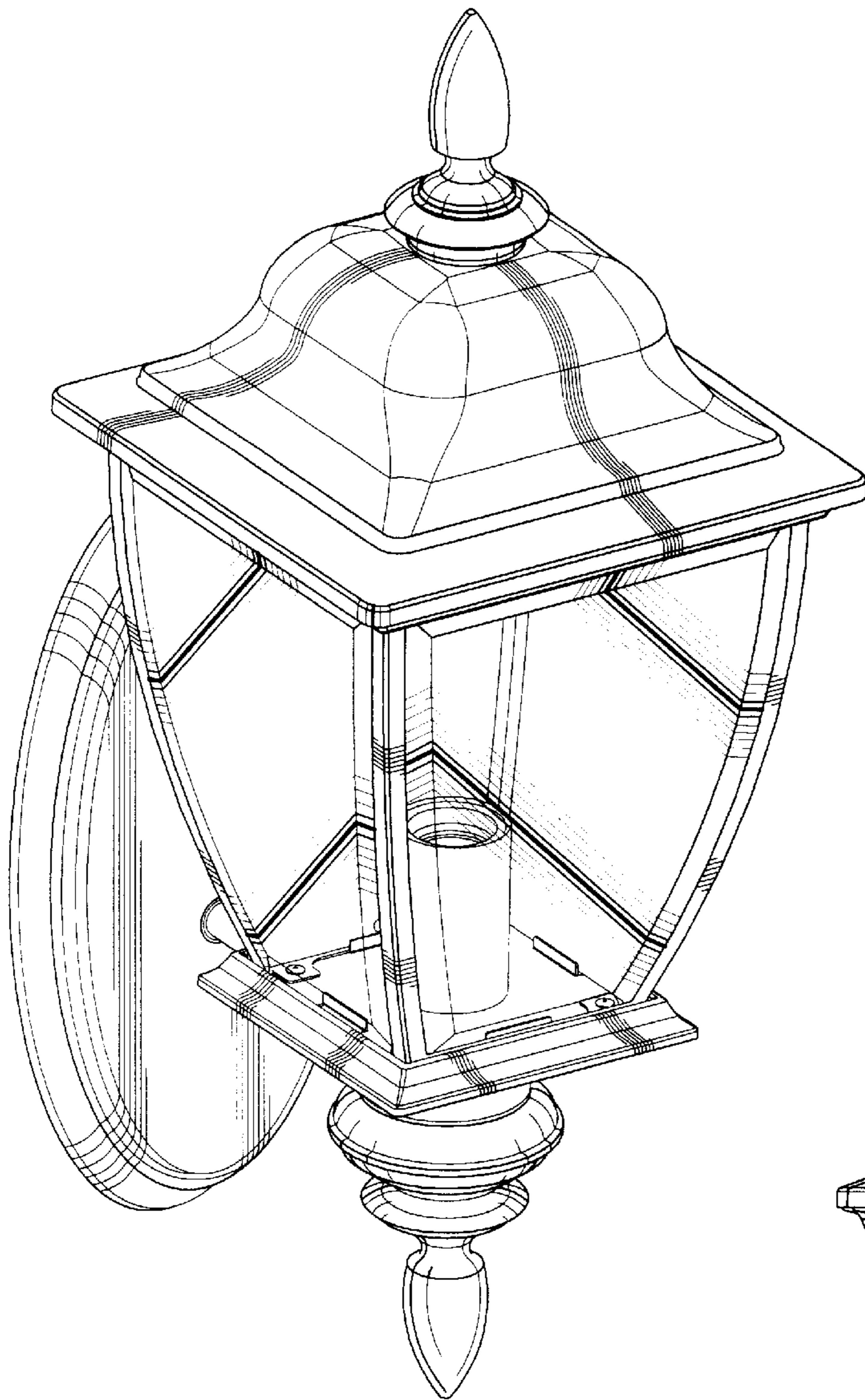


Fig-1

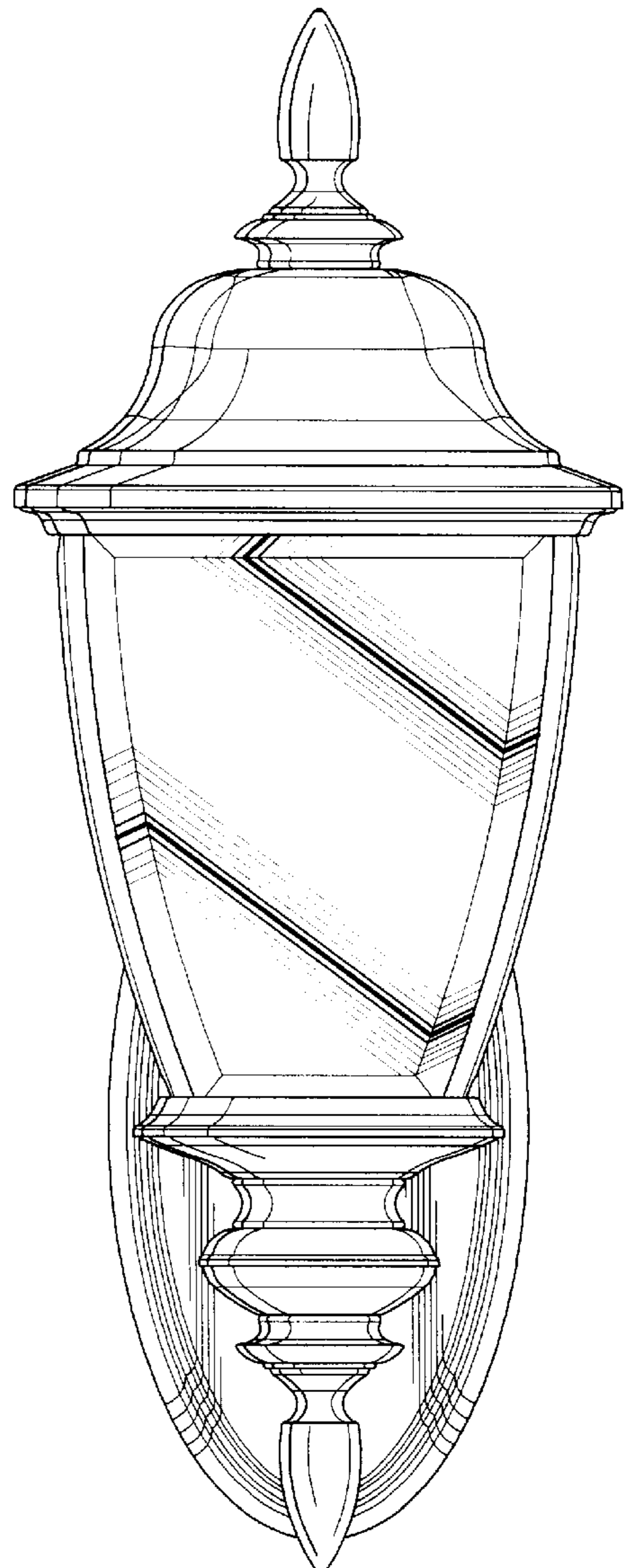


Fig-2

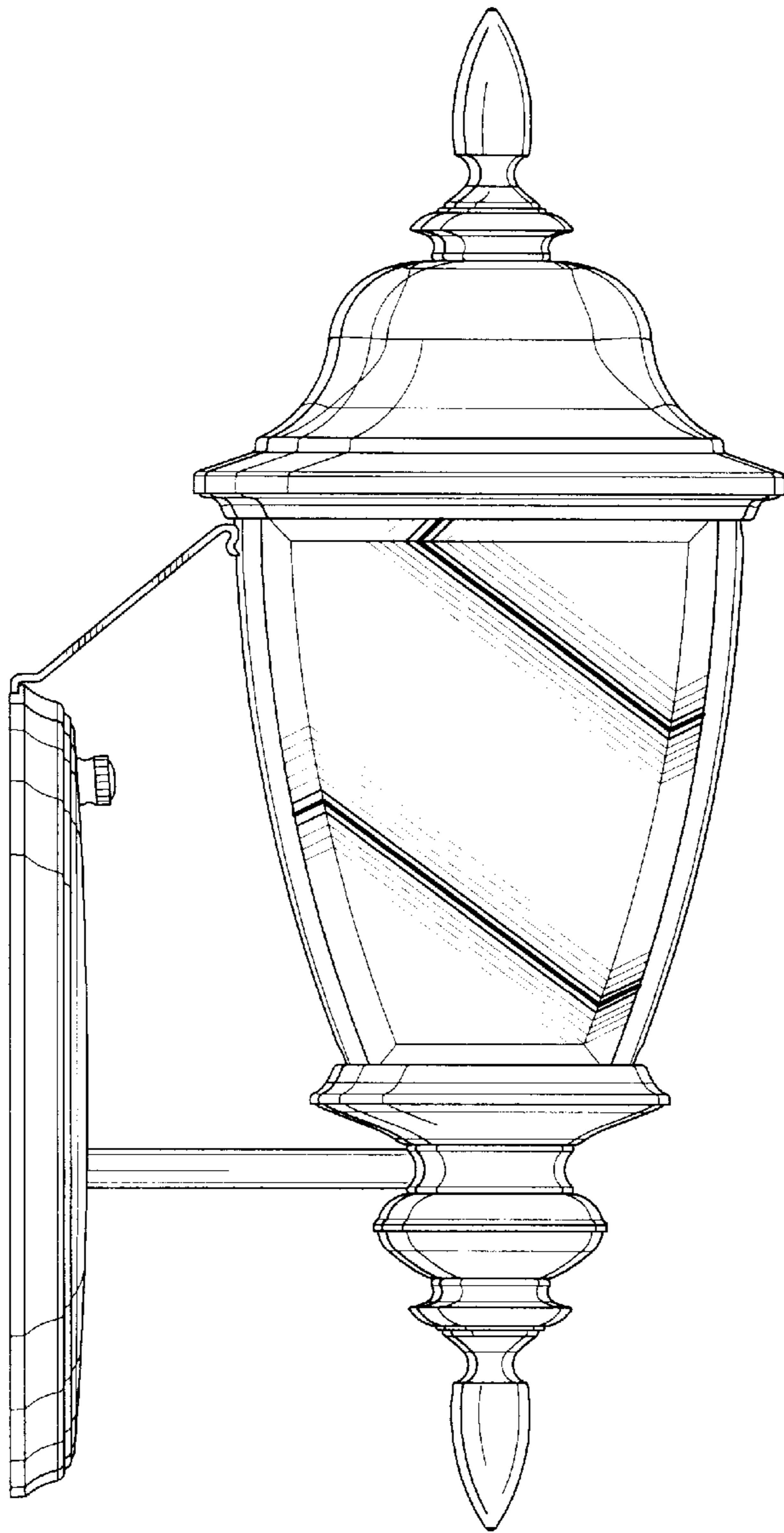
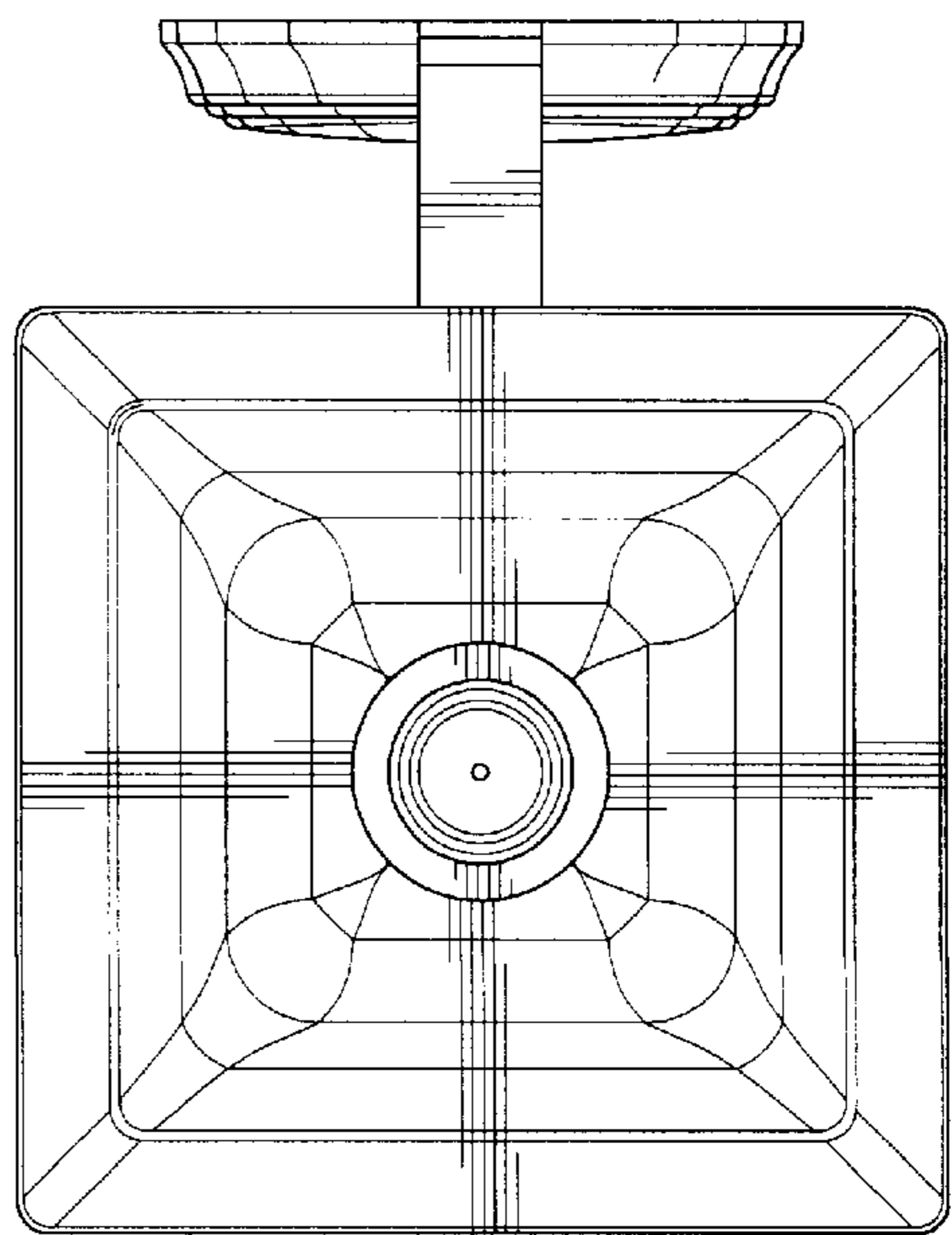


Fig-3

Fig-4



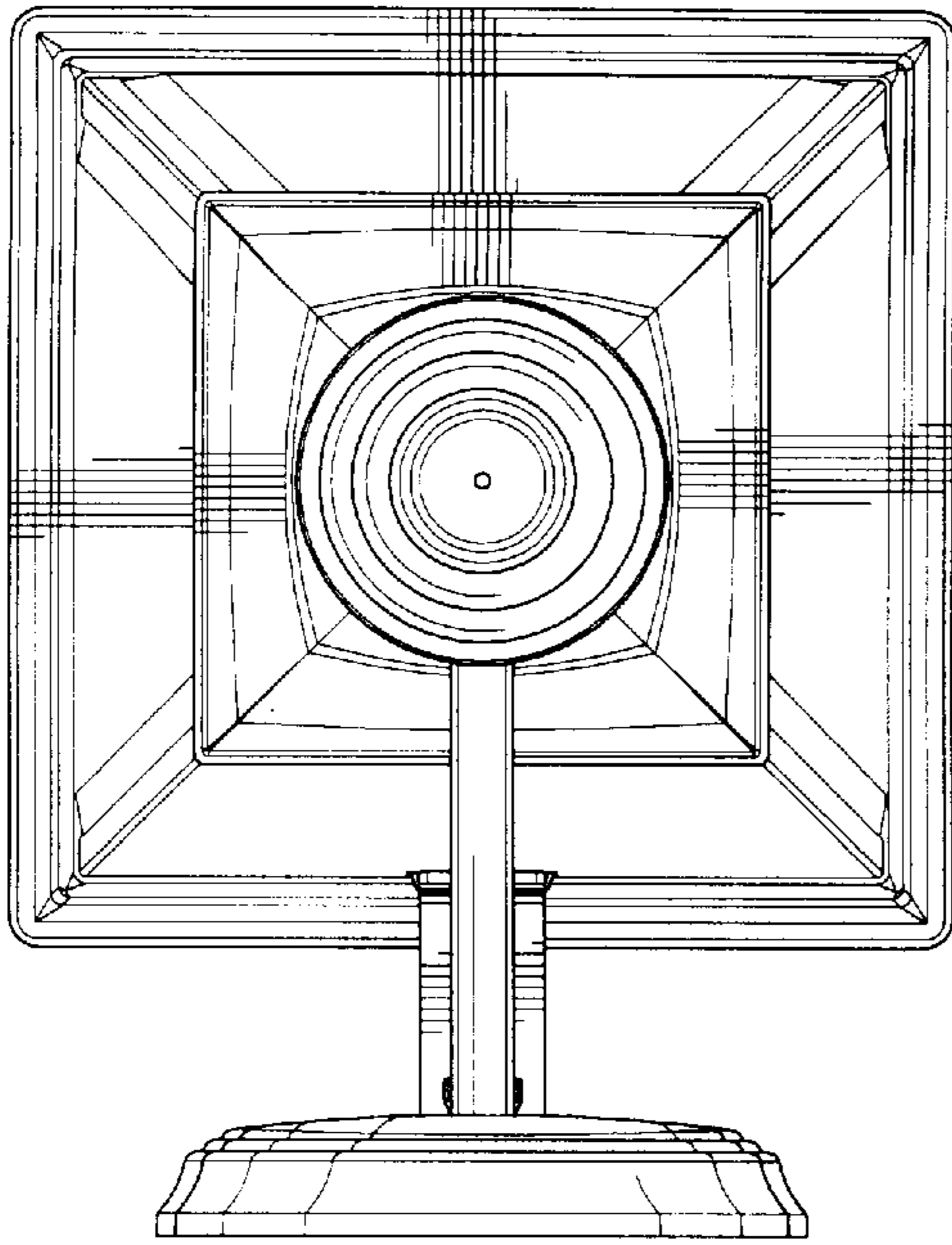


Fig-5

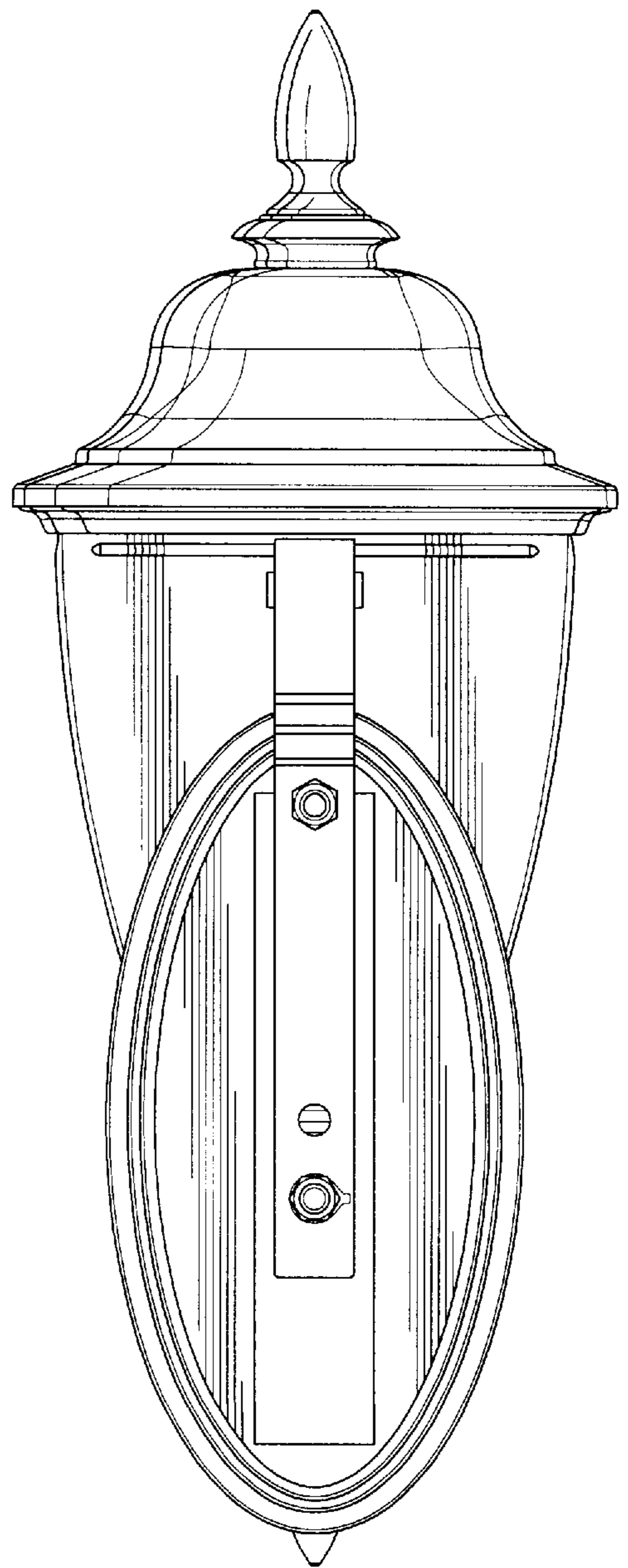


Fig-6