



US00D418239S

United States Patent [19] Zeller

[11] **Patent Number: Des. 418,239**

[45] **Date of Patent: ** Dec. 28, 1999**

[54] **PORTABLE BOOKLIGHT**

[76] Inventor: **Noel E. Zeller**, c/o Zelco Industries, Inc., 630 S. Columbus Ave., Mount Vernon, N.Y. 10551-4445

[**] Term: **14 Years**

[21] Appl. No.: **29/079,650**

[22] Filed: **Nov. 11, 1997**

D. 282,587	2/1986	Shwisha	D26/60
D. 290,519	6/1987	Kuo	D26/60
D. 390,989	2/1998	Zeller	D26/60
5,280,416	1/1994	Hartley et al.	362/287 X

Primary Examiner—Susan J. Lucas
Attorney, Agent, or Firm—Donald S. Dowden; Cooper & Dunham, LLP

Related U.S. Application Data

[62] Division of application No. 29/055,648, Jun. 10, 1996, Pat. No. Des. 390,989.

[51] **LOC (6) Cl.** **26-05**

[52] **U.S. Cl.** **D26/60; D26/64**

[58] **Field of Search** D26/60-66; 362/98, 362/99, 191, 396, 269, 275, 287, 410, 418, 419, 428

References Cited

U.S. PATENT DOCUMENTS

D. 271,526 11/1983 Zeller D26/60

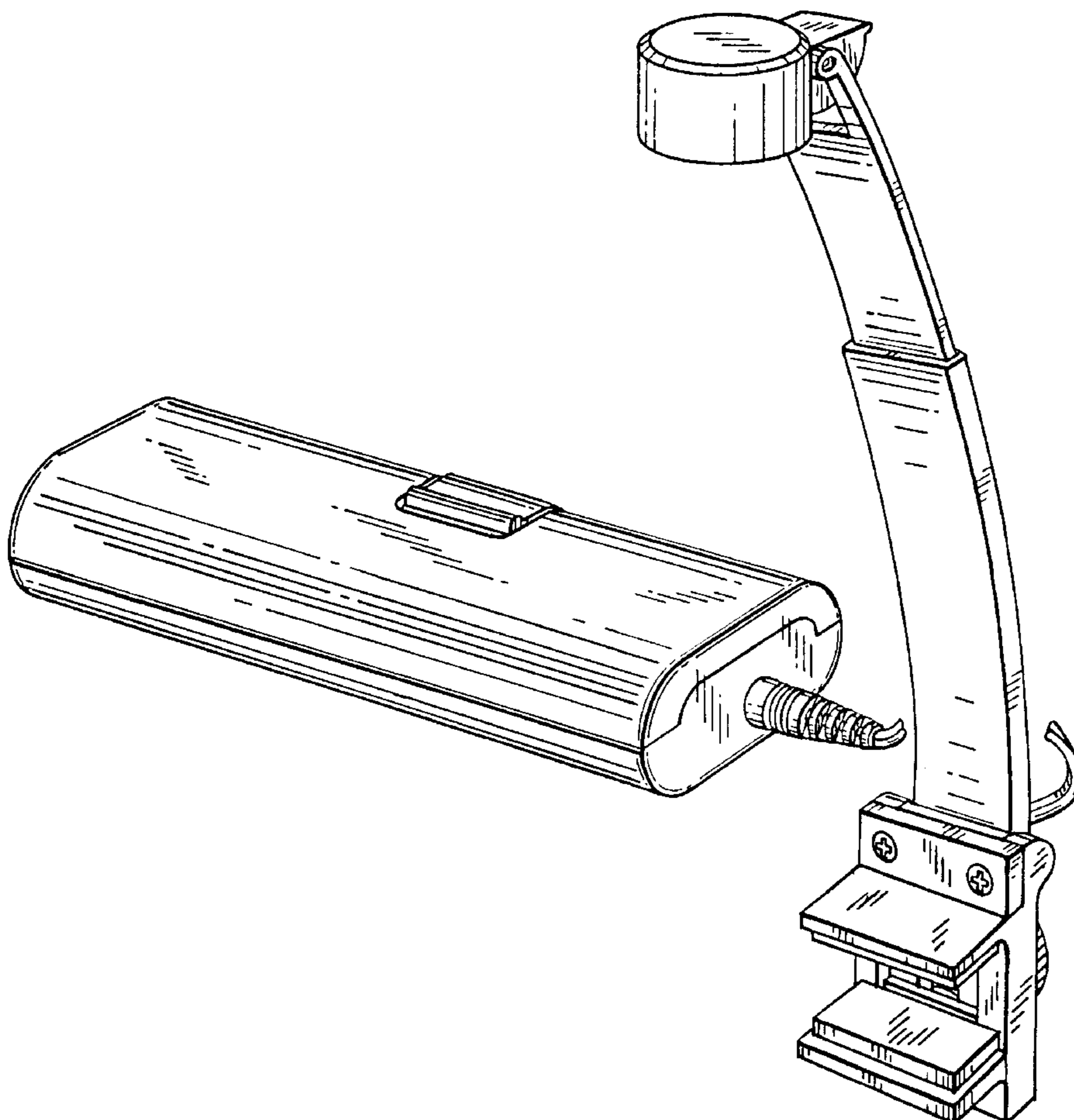
[57] CLAIM

The ornamental design for a portable booklight, as shown.

DESCRIPTION

FIG. 1 is a perspective view showing my new design;
FIG. 2 is a front view thereof;
FIG. 3 is a right side view thereof;
FIG. 4 is a left side view thereof;
FIG. 5 is a top view thereof;
FIG. 6 is a bottom view thereof; and,
FIG. 7 is a rear view thereof.

1 Claim, 7 Drawing Sheets



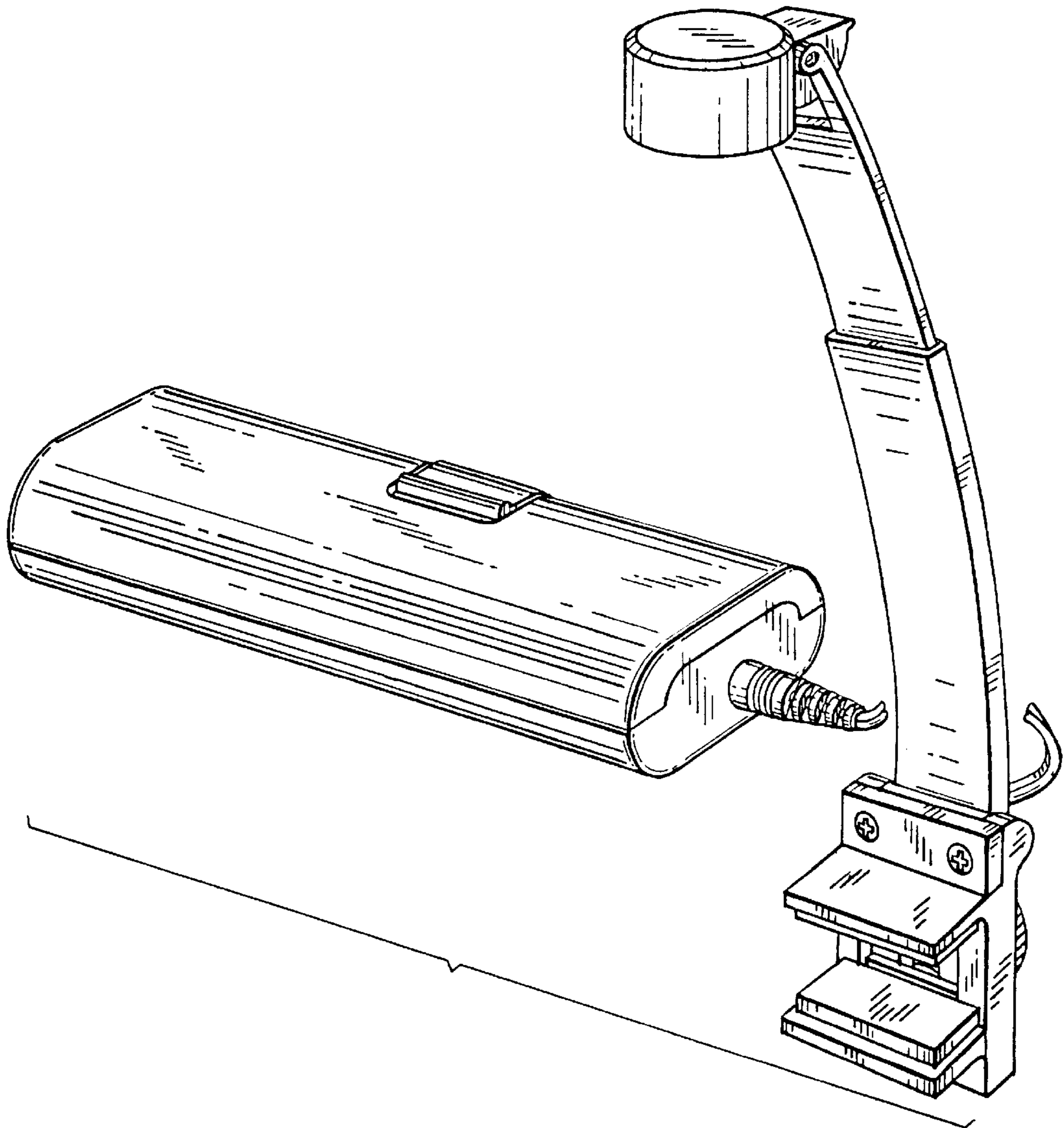


FIG. 1

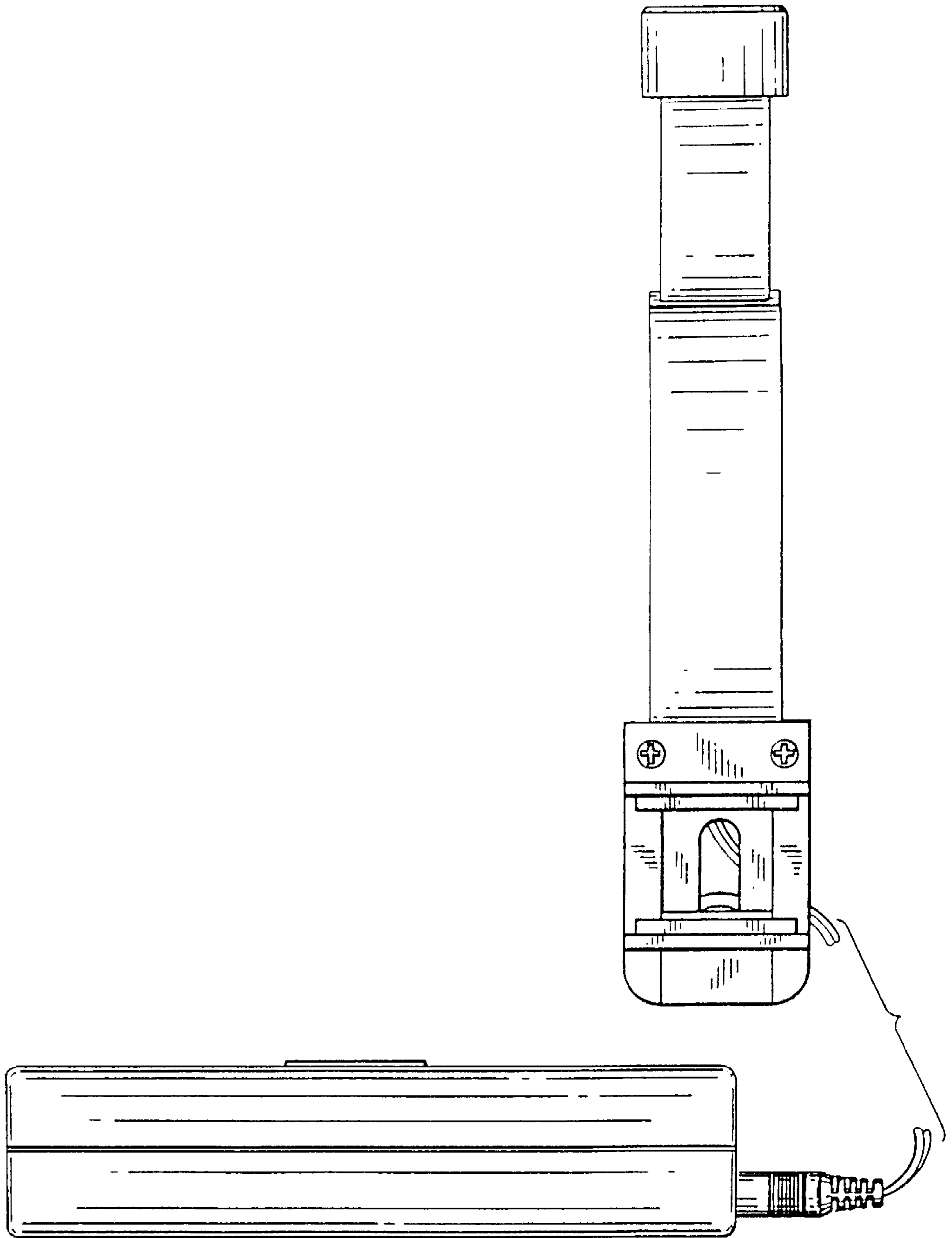


FIG. 2

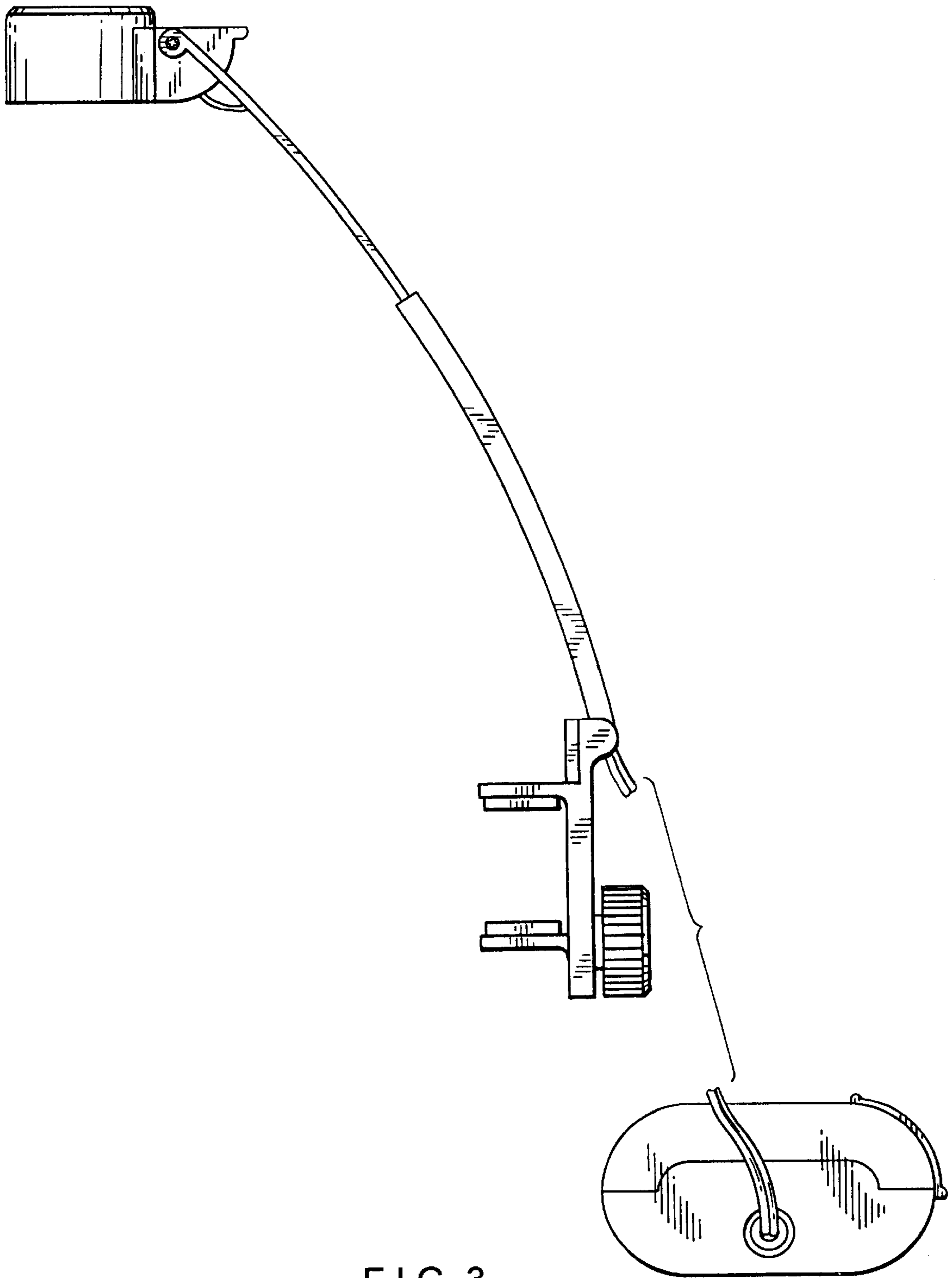


FIG. 3

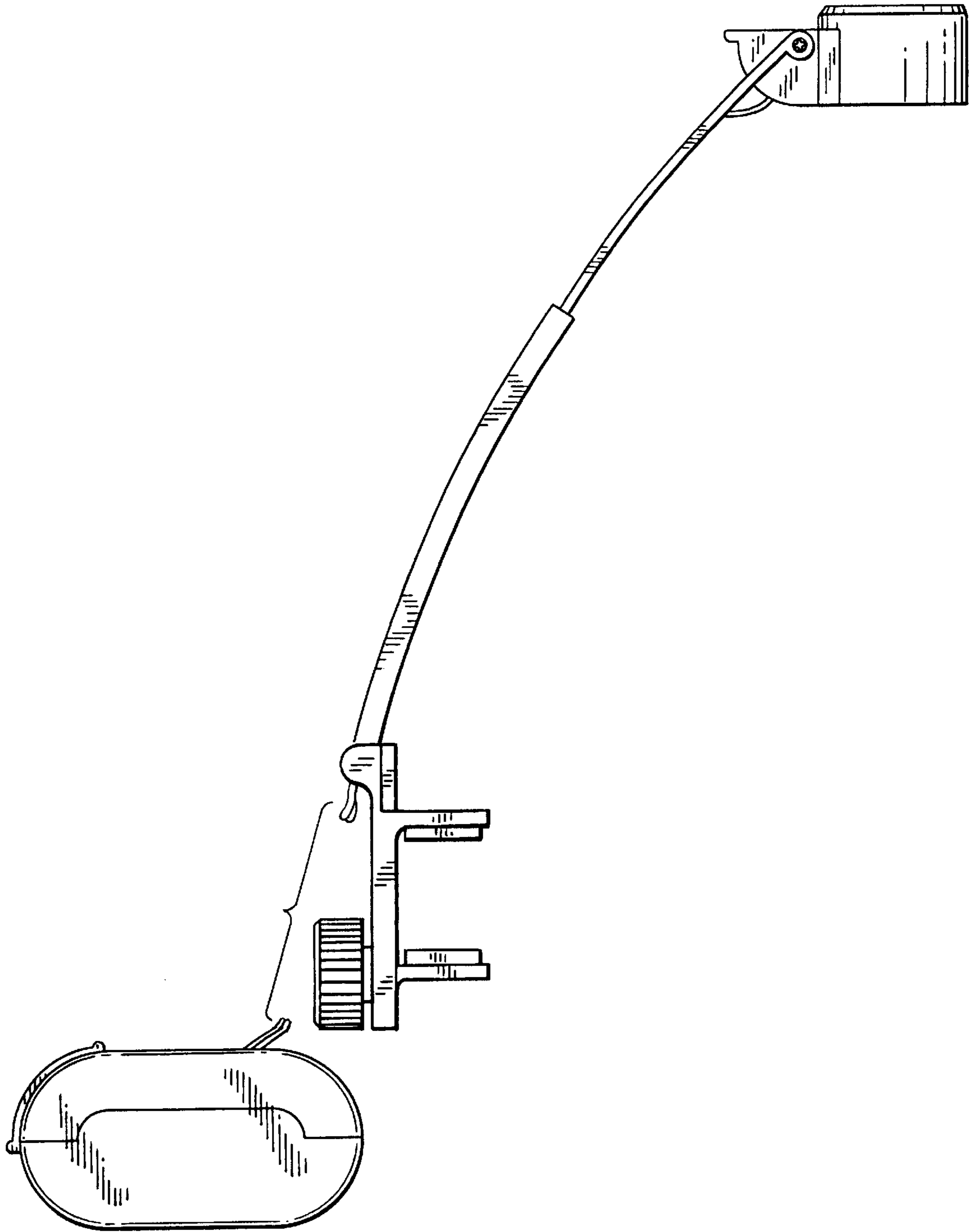


FIG. 4

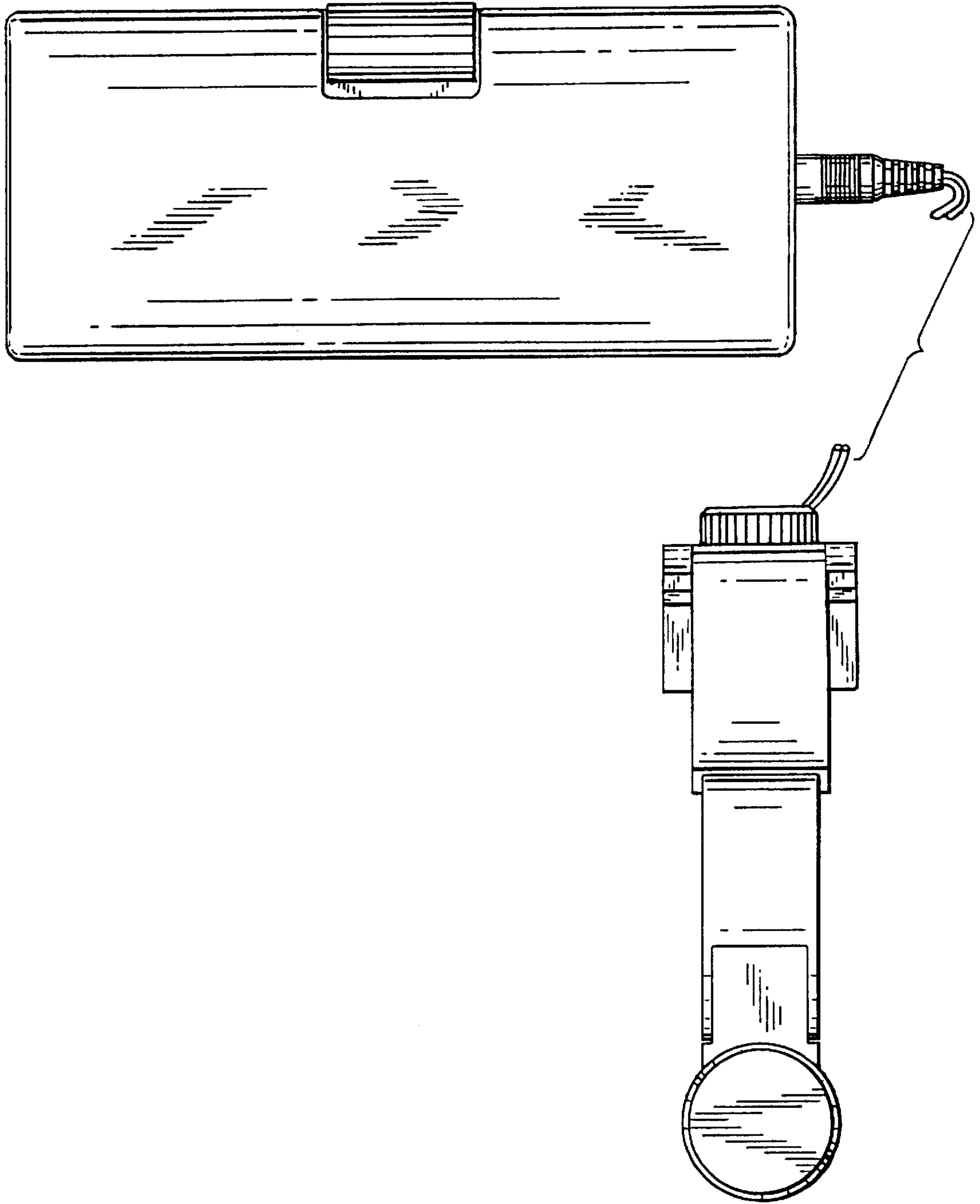


FIG. 5

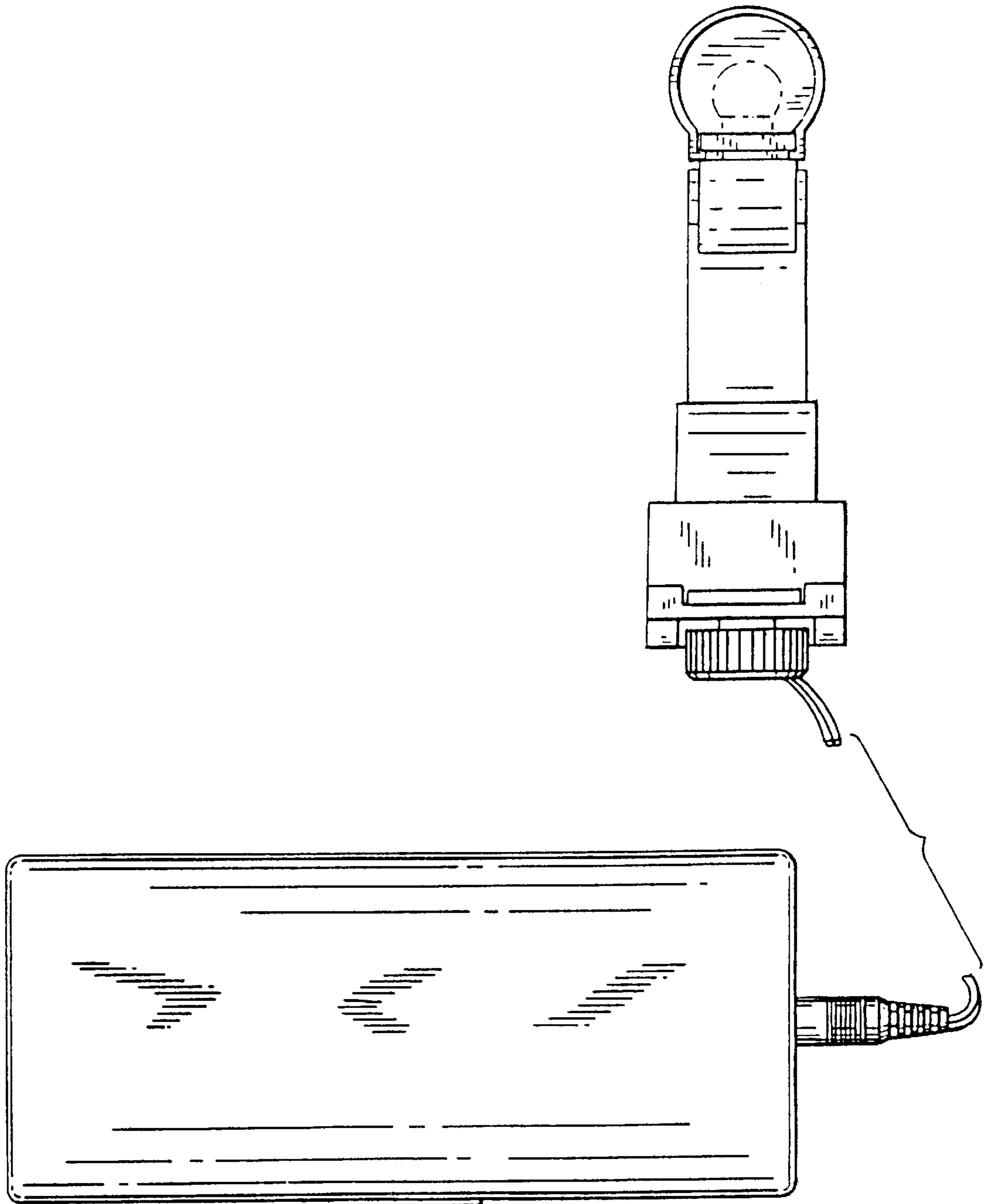


FIG. 6

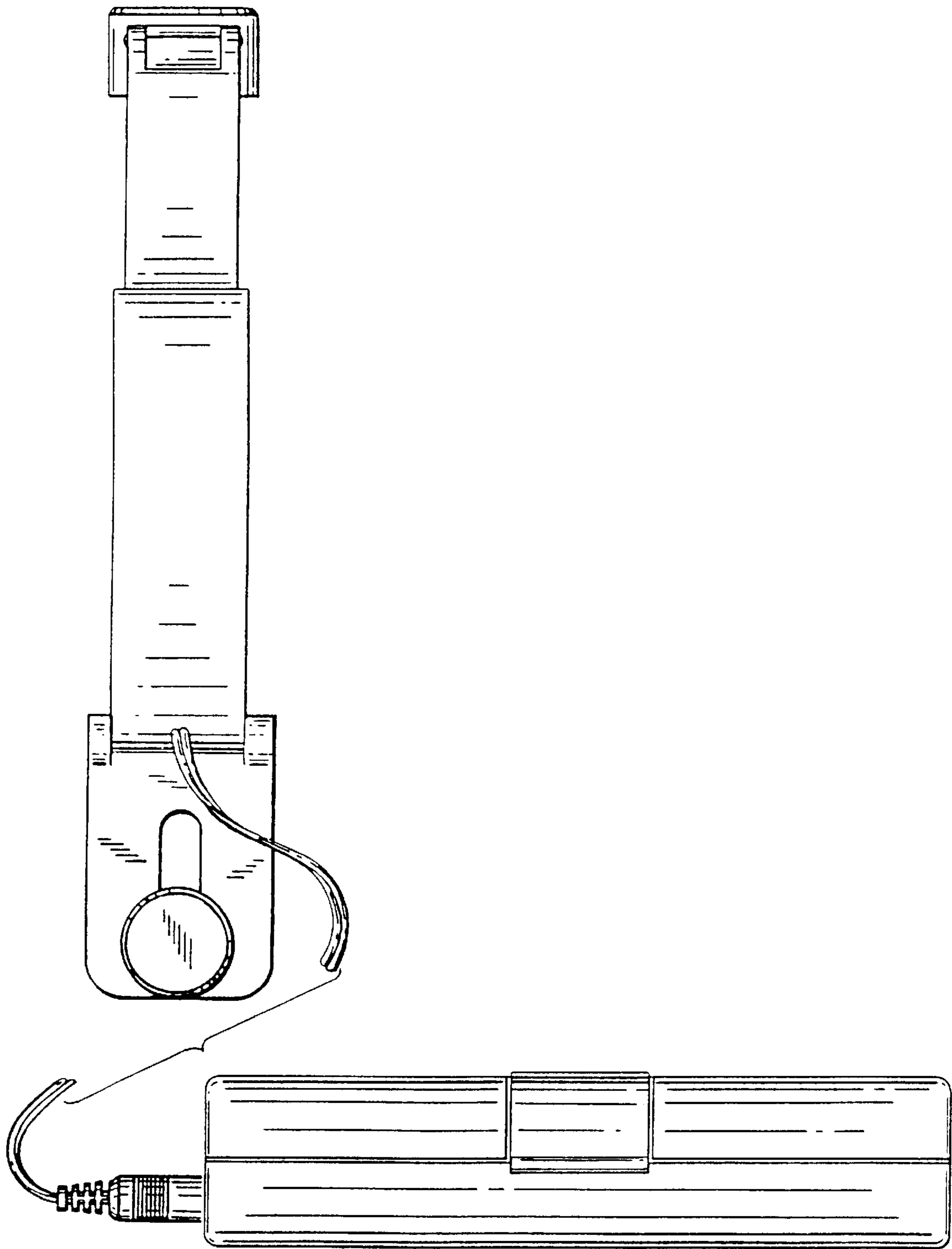


FIG. 7