



US00D418238S

United States Patent [19]
Offiler

[11] **Patent Number: Des. 418,238**

[45] **Date of Patent: ** Dec. 28, 1999**

[54] **UTILITY LIGHT WITH A PAIR OF
ADJUSTABLE SUPPORTING
ATTACHMENTS**

*Attorney, Agent, or Firm—Lackenbach Siegel Marzullo
Aronson & Greenspan, P.C.*

[75] Inventor: **Stephen Offiler**, North Scituate, R.I.

[57] **CLAIM**

[73] Assignee: **Central Tools, Inc**, Cranston, R.I.

The ornamental design for a utility light with a pair of adjustable supporting attachments, as shown and described.

[**] Term: **14 Years**

DESCRIPTION

[21] Appl. No.: **29/100,838**

FIG. 1 is a right side rear perspective view of a utility light with a pair of adjustable supporting attachments showing my new design with the broken line showing for illustrative purposes only and forming no part of the claimed design;

[22] Filed: **Feb. 17, 1999**

[51] **LOC (6) Cl.** **26-02**

FIG. 2 is a front elevational view thereof;

[52] **U.S. Cl.** **D26/42**

FIG. 3 is a top plan view thereof;

[58] **Field of Search** D26/37-50; D10/114;
362/157, 158, 183-208, 376, 377, 378,
404, 407

FIG. 4 is a right side view thereof;

FIG. 5 is a left side view thereof;

FIG. 6 is a rear elevational view thereof;

FIG. 7 is a bottom plan view thereof;

[56] **References Cited**

U.S. PATENT DOCUMENTS

- D. 367,123 2/1996 Blye D26/42
- D. 389,931 1/1998 Kovacik et al. D26/37
- D. 409,776 5/1999 Ghode et al. D26/42

FIG. 8 is similar to FIG. 1 but showing one of the attachments, which incorporates a magnet, in an alternate position; and,

FIG. 9 is similar to FIG. 1, but showing one of the attachments, in the form of a hook, in an alternate position.

*Primary Examiner—*Marcus A. Jackson

1 Claim, 6 Drawing Sheets

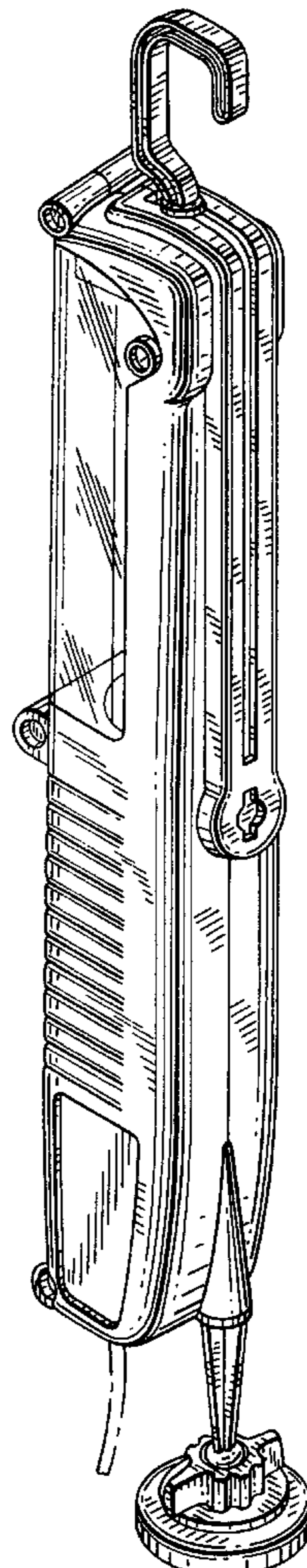
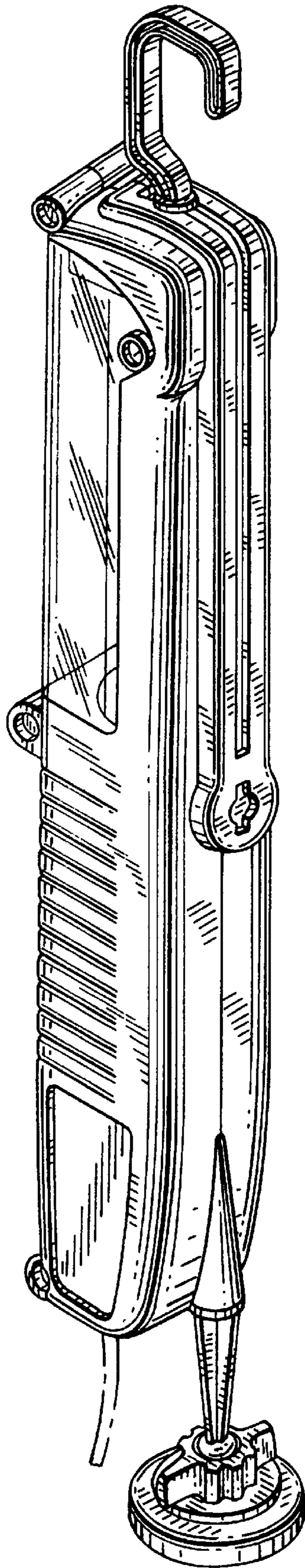


FIG. 1



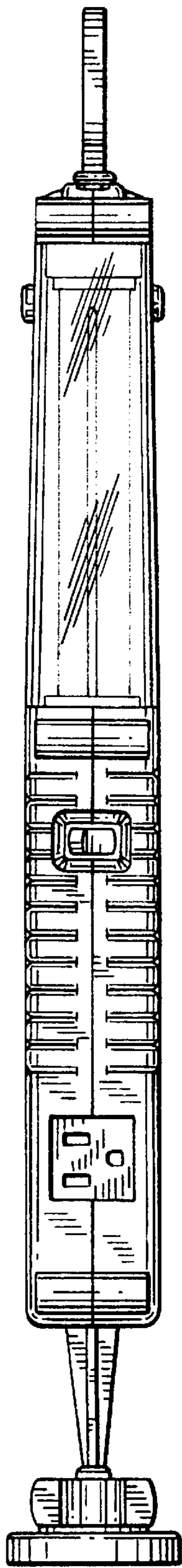


FIG. 2

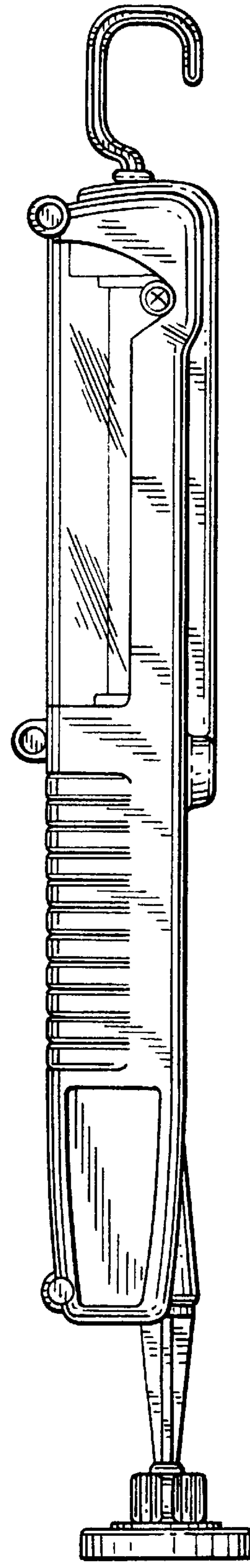


FIG. 4

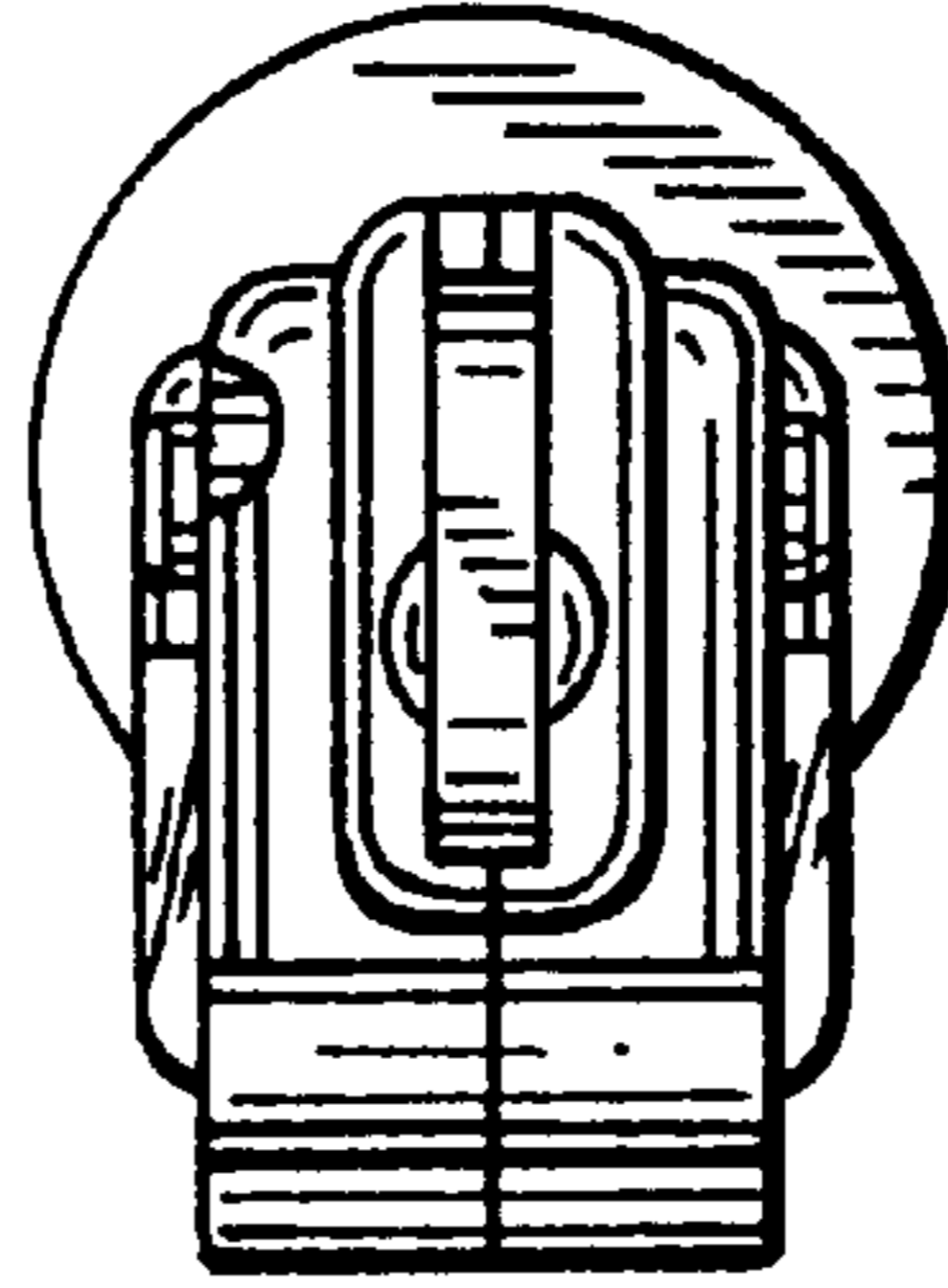


FIG. 3

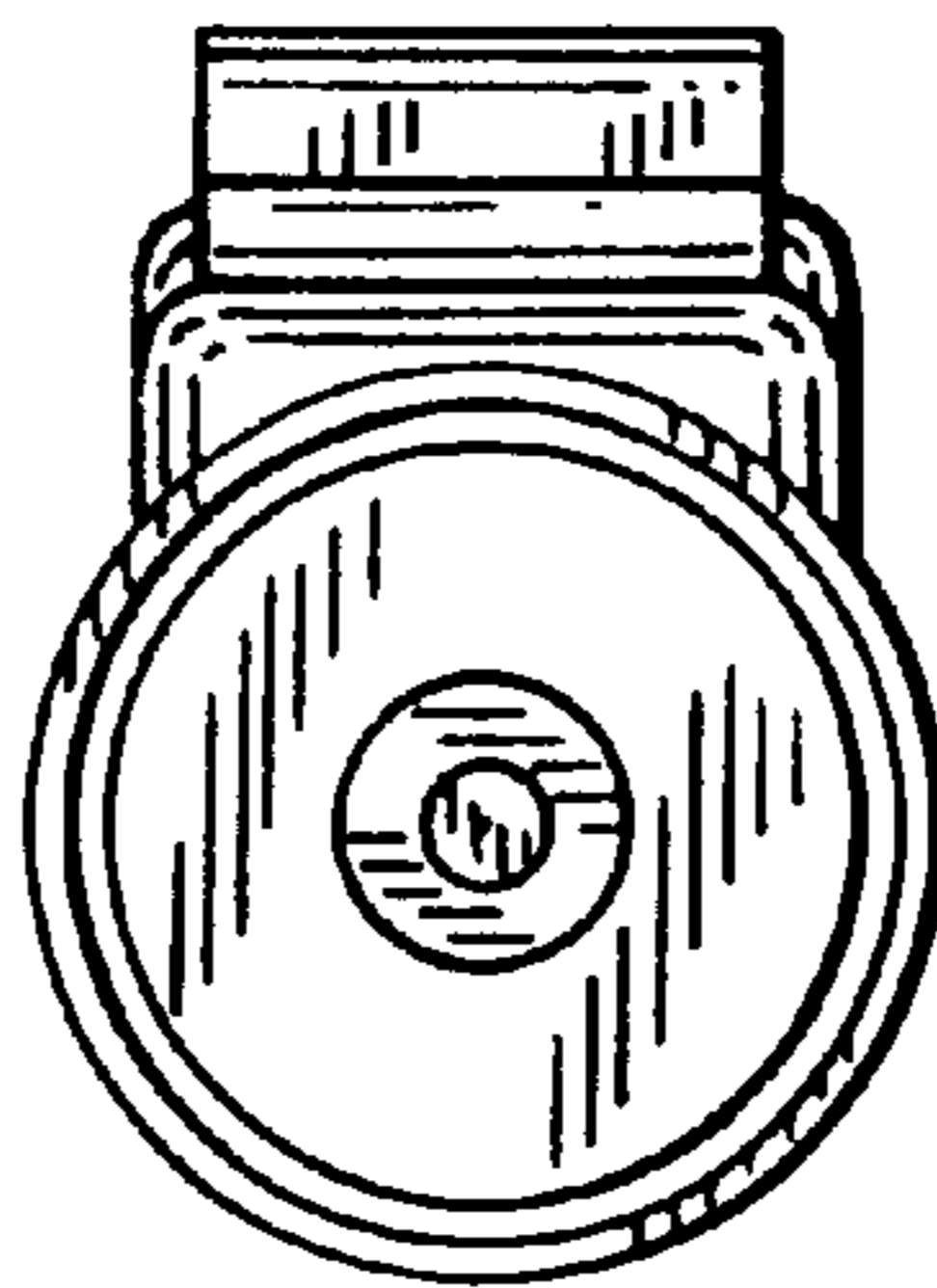
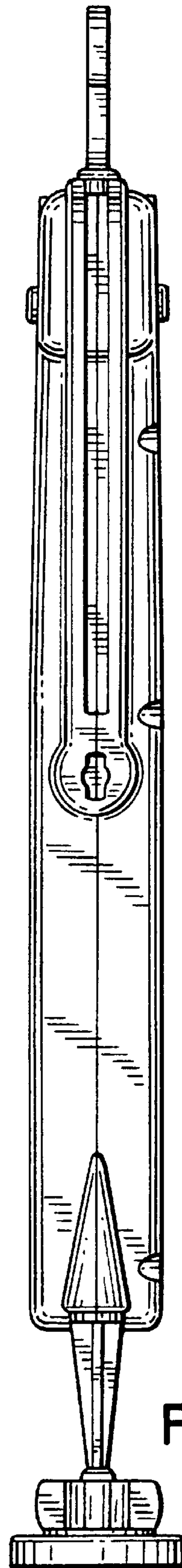
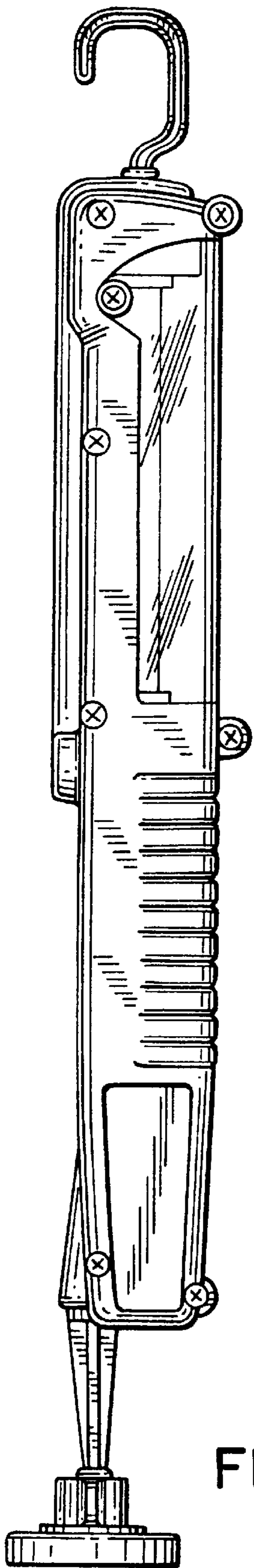


FIG. 7



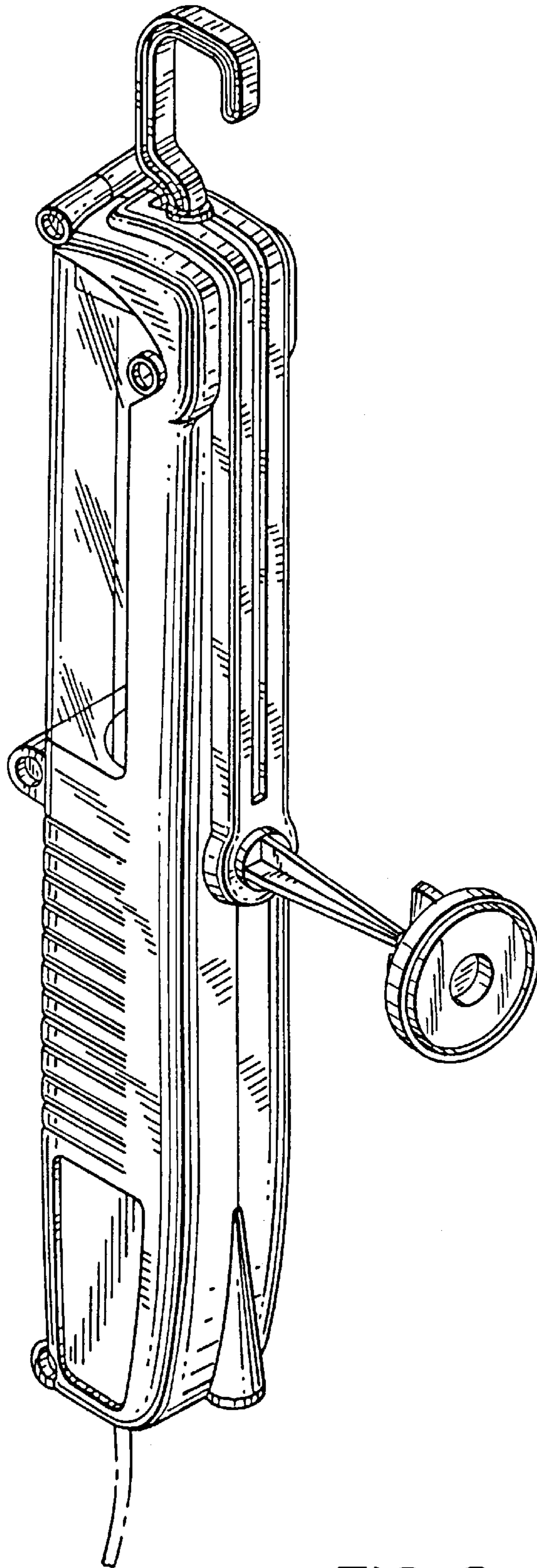


FIG. 8

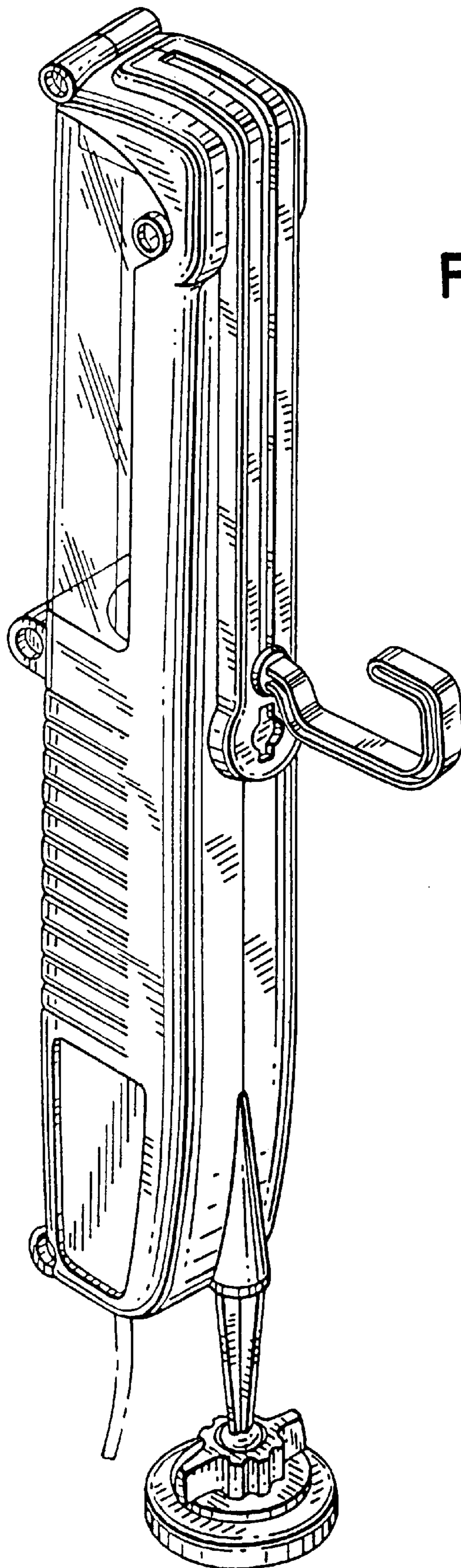


FIG. 9